



US00D961729S

(12) **United States Design Patent** (10) **Patent No.:** **US D961,729 S**  
**Qiao** (45) **Date of Patent:** **\*\* Aug. 23, 2022**

(54) **SPRAYER**  
(71) Applicant: **INTRADIN (SHANGHAI) MACHINERY CO., LTD.**, Shanghai (CN)  
(72) Inventor: **Xuetao Qiao**, Shanghai (CN)  
(73) Assignee: **INTRADIN (SHANGHAI) MACHINERY CO., LTD.**, Shanghai (CN)

2010/0072300 A1\* 3/2010 Miller ..... B05B 9/0861  
239/332  
2012/0080541 A1\* 4/2012 Schnell ..... B05B 1/3026  
239/526  
2013/0153683 A1\* 6/2013 Lawrence ..... B05B 7/2408  
239/302  
2013/0270302 A1\* 10/2013 Hsu ..... B05B 12/002  
222/386  
2014/0339329 A1\* 11/2014 Lawrence ..... B05B 14/00  
239/127

(Continued)

(\*\*) Term: **15 Years**

(21) Appl. No.: **29/750,743**

(22) Filed: **Sep. 16, 2020**

(51) **LOC (13) Cl.** ..... **23-01**

(52) **U.S. Cl.**  
USPC ..... **D23/226**

(58) **Field of Classification Search**  
USPC ..... D23/208, 213, 214, 223, 225, 226;  
D8/29.1  
CPC .. B05B 5/00; B05B 5/025; B05B 5/03; B05B  
5/035; B05B 5/16; B05B 5/1691; B05B  
7/00; B05B 7/02; B05B 7/12; B05B  
7/129; B05B 7/24; B05B 7/2464; B05B  
7/2475; B05B 9/00; B05B 9/005; B05B  
9/01; B05B 9/0403; B05B 9/0426; B05B  
9/08; B05B 9/085; B05B 9/0861; B05B  
12/002

See application file for complete search history.

(56) **References Cited**

**U.S. PATENT DOCUMENTS**

D471,252 S \* 3/2003 Jeng ..... D23/226  
D513,058 S \* 12/2005 Hayduk ..... D23/226  
D641,220 S \* 7/2011 Shi ..... D8/29.1  
D871,871 S \* 1/2020 Yang ..... D8/29.1  
2006/0097071 A1\* 5/2006 Robidoux ..... B05B 5/1683  
239/690

**OTHER PUBLICATIONS**

SuperHandy Electrostatic Sprayer Fogger, Apr. 21, 2021, Amazon, site visited Apr. 11, 2022: <https://www.amazon.com/dp/B08J7Z5Z89/> (Year: 2021).\*

(Continued)

*Primary Examiner* — Jack Reickel  
*Assistant Examiner* — Bobby W Jones, II  
(74) *Attorney, Agent, or Firm* — Wayne IP LLC

(57) **CLAIM**

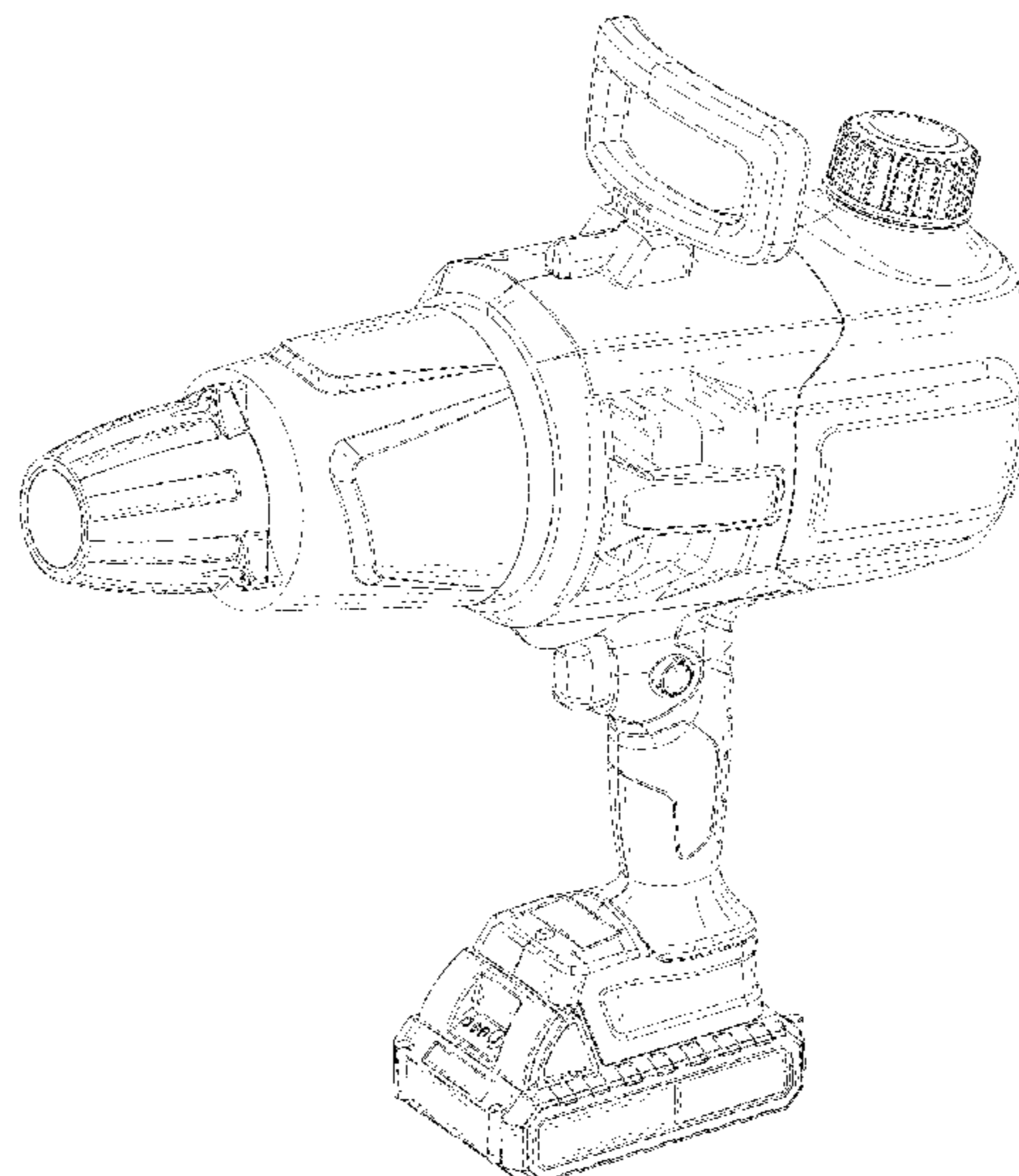
The ornamental design for a sprayer, as shown and described.

**DESCRIPTION**

FIG. 1 is a perspective view of a sprayer showing my new design;  
FIG. 2 is another perspective view thereof;  
FIG. 3 is a front elevation view thereof;  
FIG. 4 is a back elevation view thereof;  
FIG. 5 is a left side view thereof;  
FIG. 6 is a right side view thereof;  
FIG. 7 is a top plan view thereof;  
FIG. 8 is a bottom plan view thereof; and,  
FIG. 9 is a perspective view thereof in an alternate configuration.

The broken lines in the drawing depict environmental subject matter only and form no part of the claimed design.

**1 Claim, 9 Drawing Sheets**



(56)

**References Cited**

U.S. PATENT DOCUMENTS

2016/0236217 A1\* 8/2016 Jenkins ..... A47L 11/4005  
2021/0370327 A1\* 12/2021 Pfingstgraef ..... B05B 1/3046  
2022/0088625 A1\* 3/2022 Qiao ..... B05B 5/1691

OTHER PUBLICATIONS

Victory Innovations Cordless Electrostatic Handheld Sprayer, Jan. 16, 2017, Amazon, site visited Apr. 11, 2022: <https://www.amazon.com/dp/B0754SXWTS/> (Year: 2017).\*

Avid Power 20V Max Cordless Impact Wrench, Oct. 18, 2018, Amazon, site visited Apr. 11, 2022: <https://www.amazon.com/dp/B07Z91YKLC/> (Year: 2018).\*

\* cited by examiner

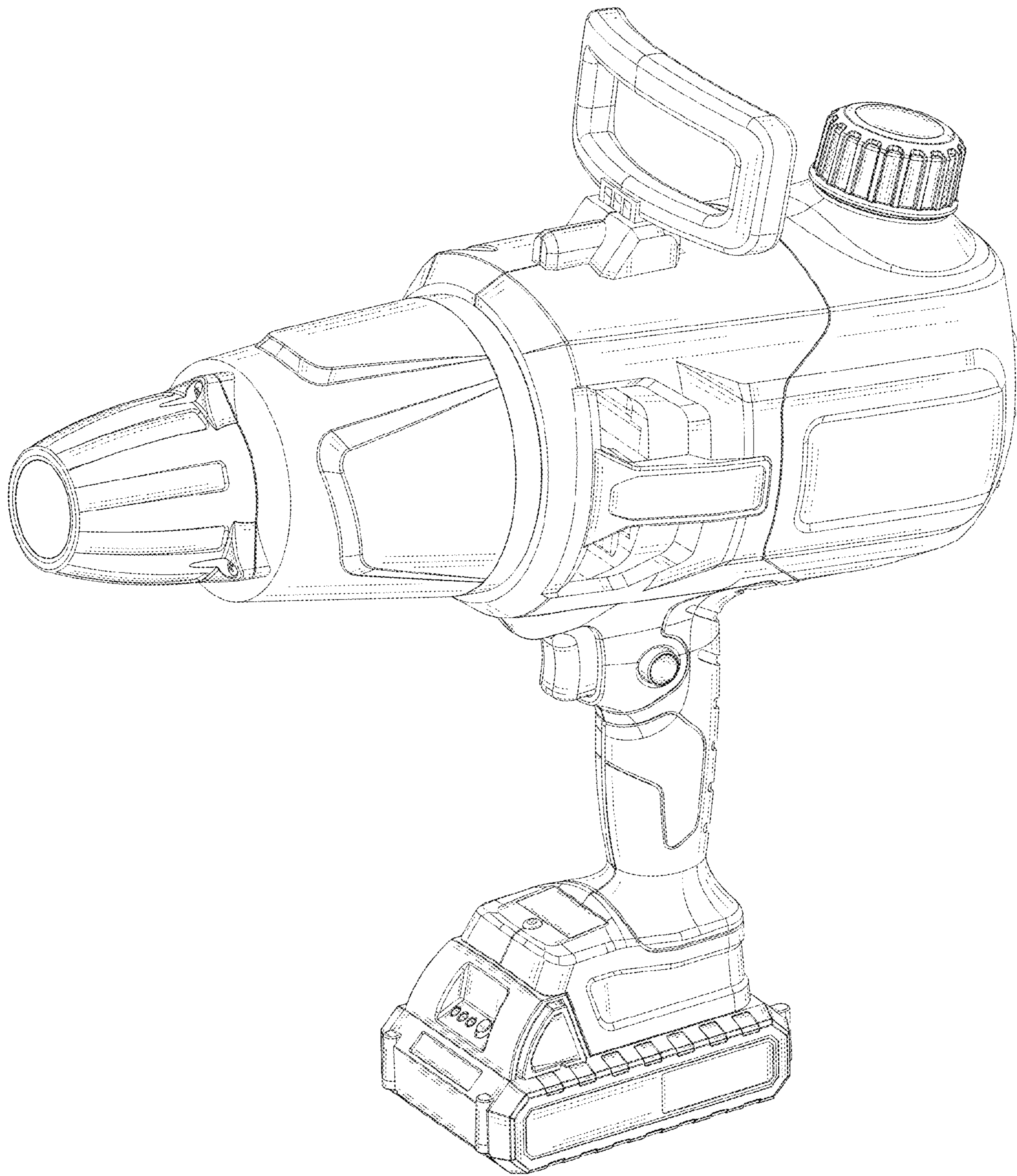


FIG. 1

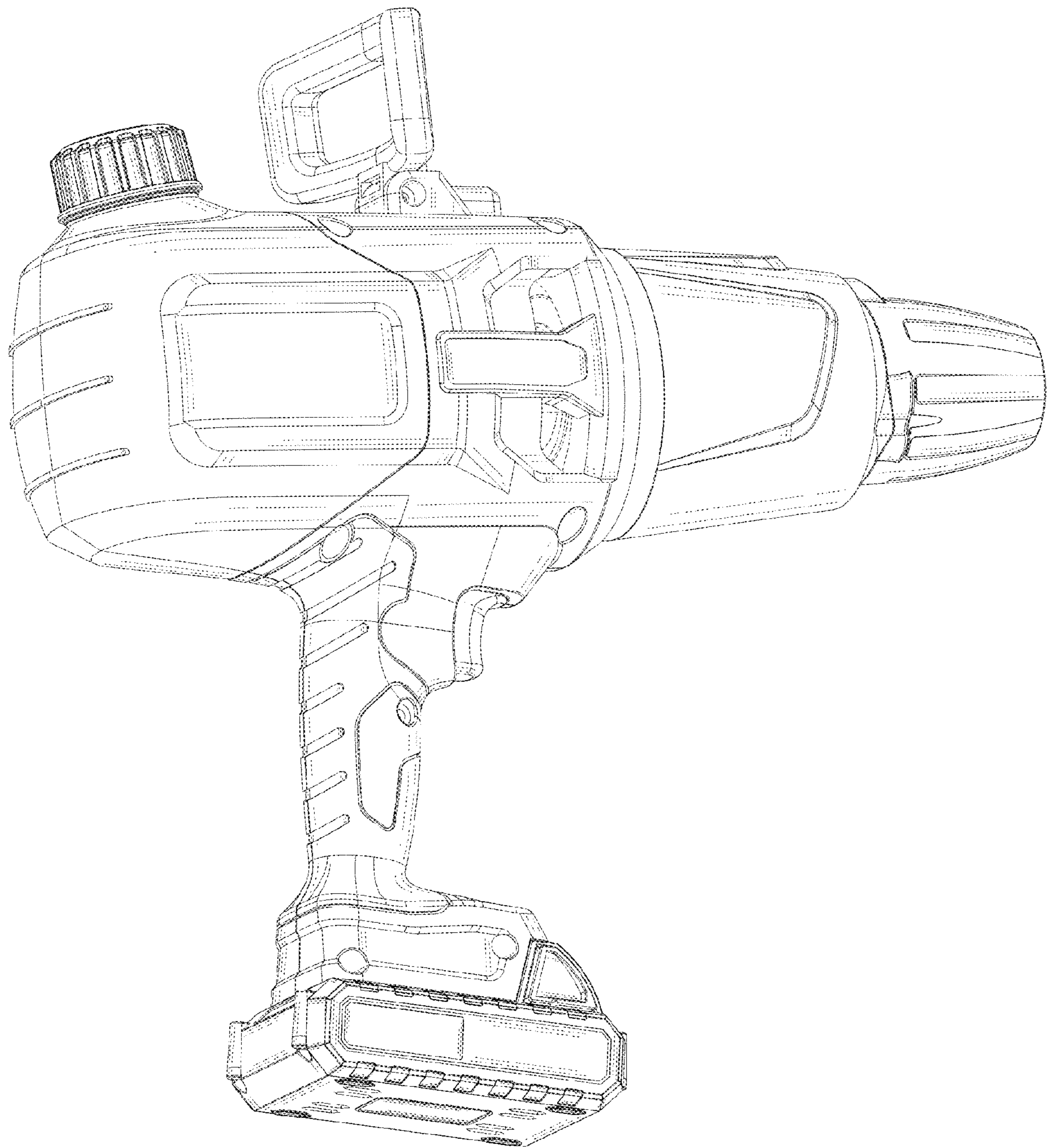


FIG. 2

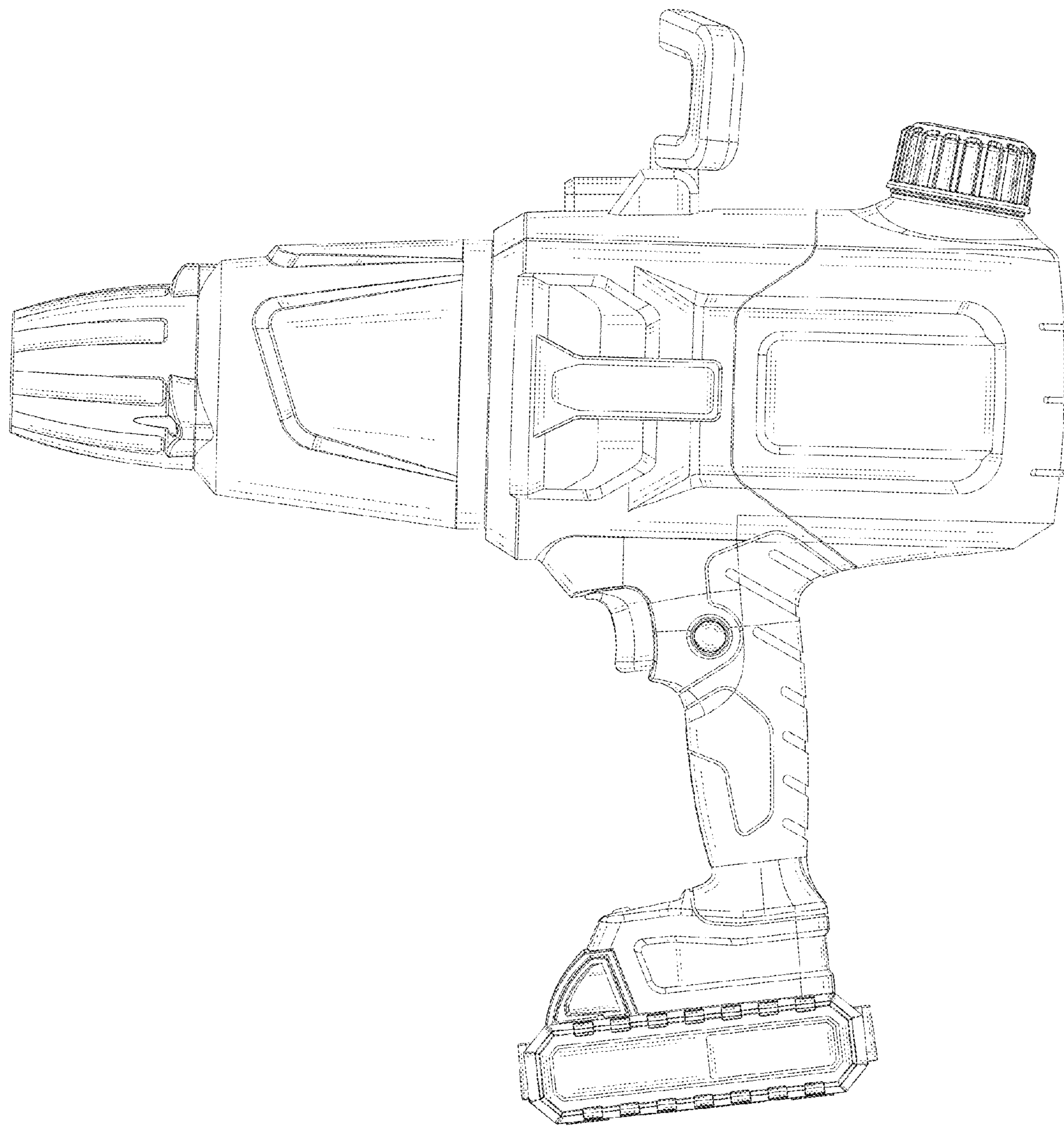


FIG. 3

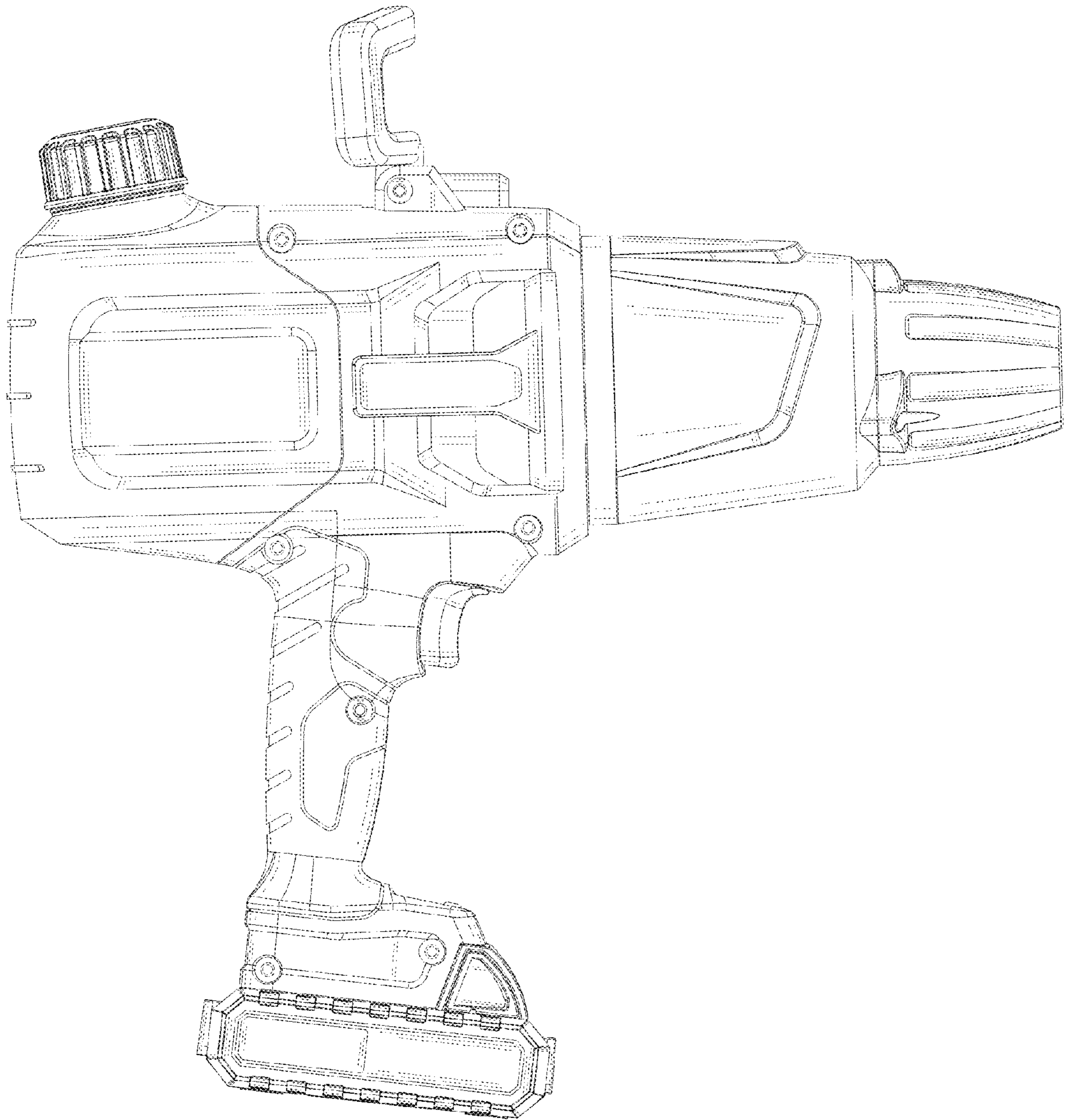


FIG. 4

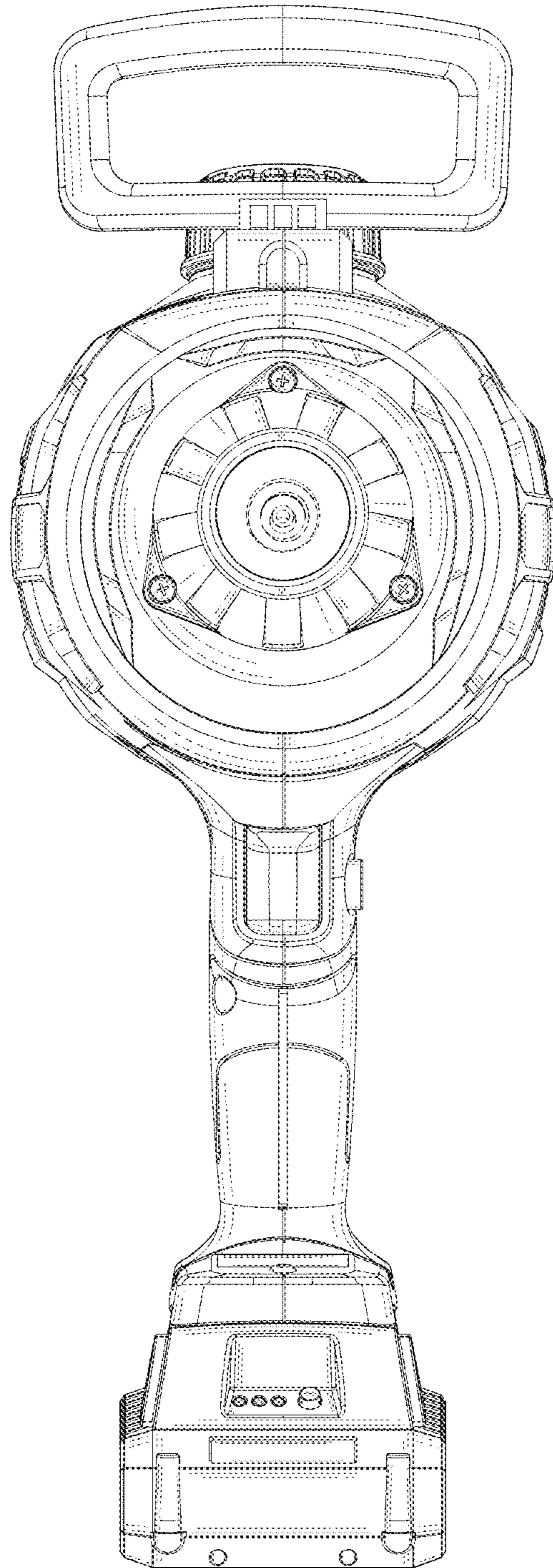


FIG. 5

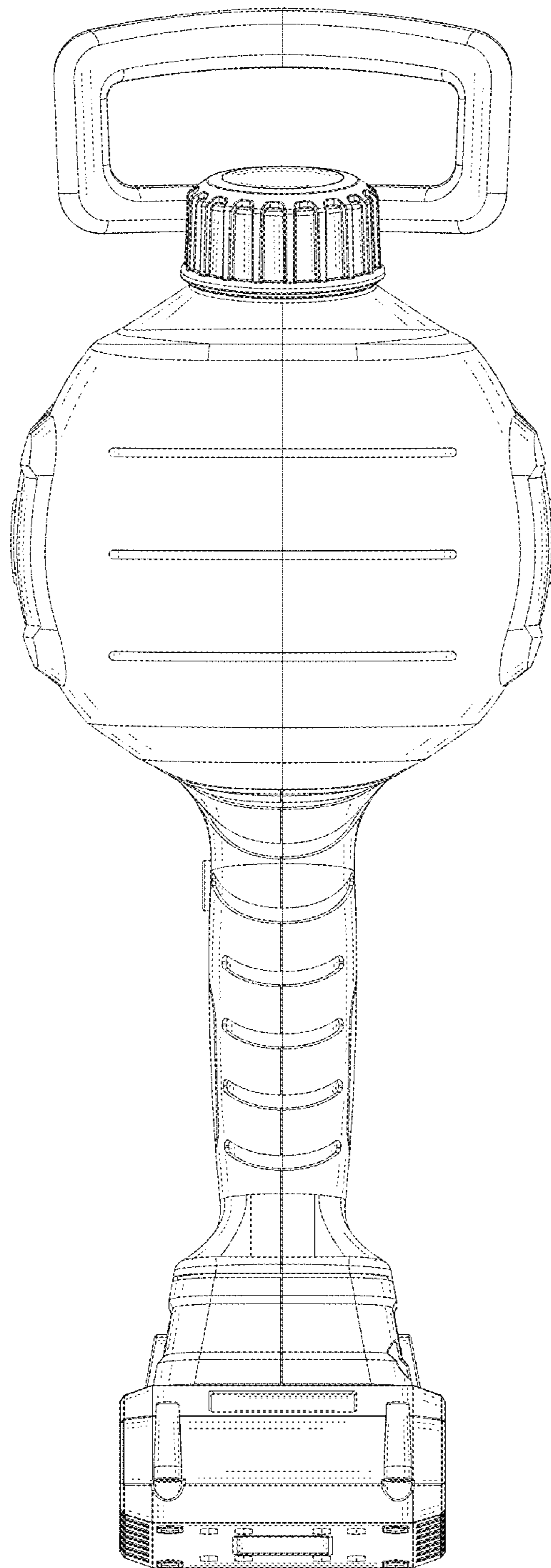


FIG. 6



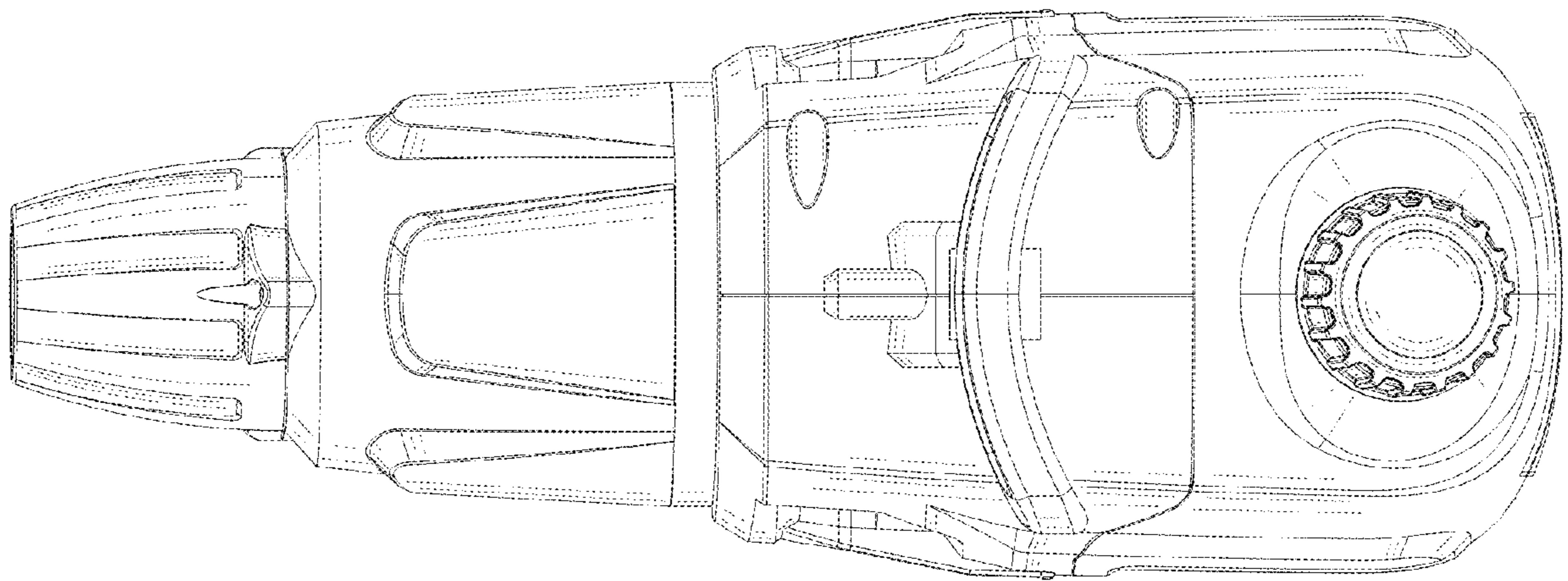


FIG. 7

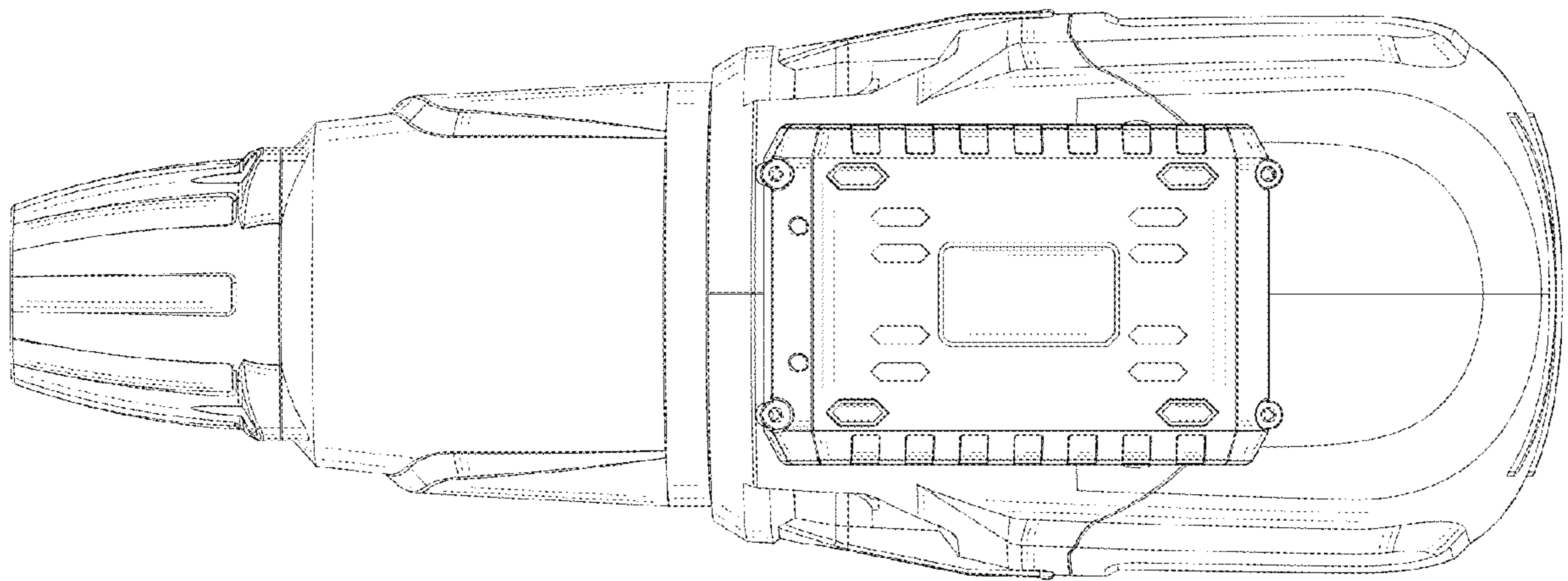


FIG. 8

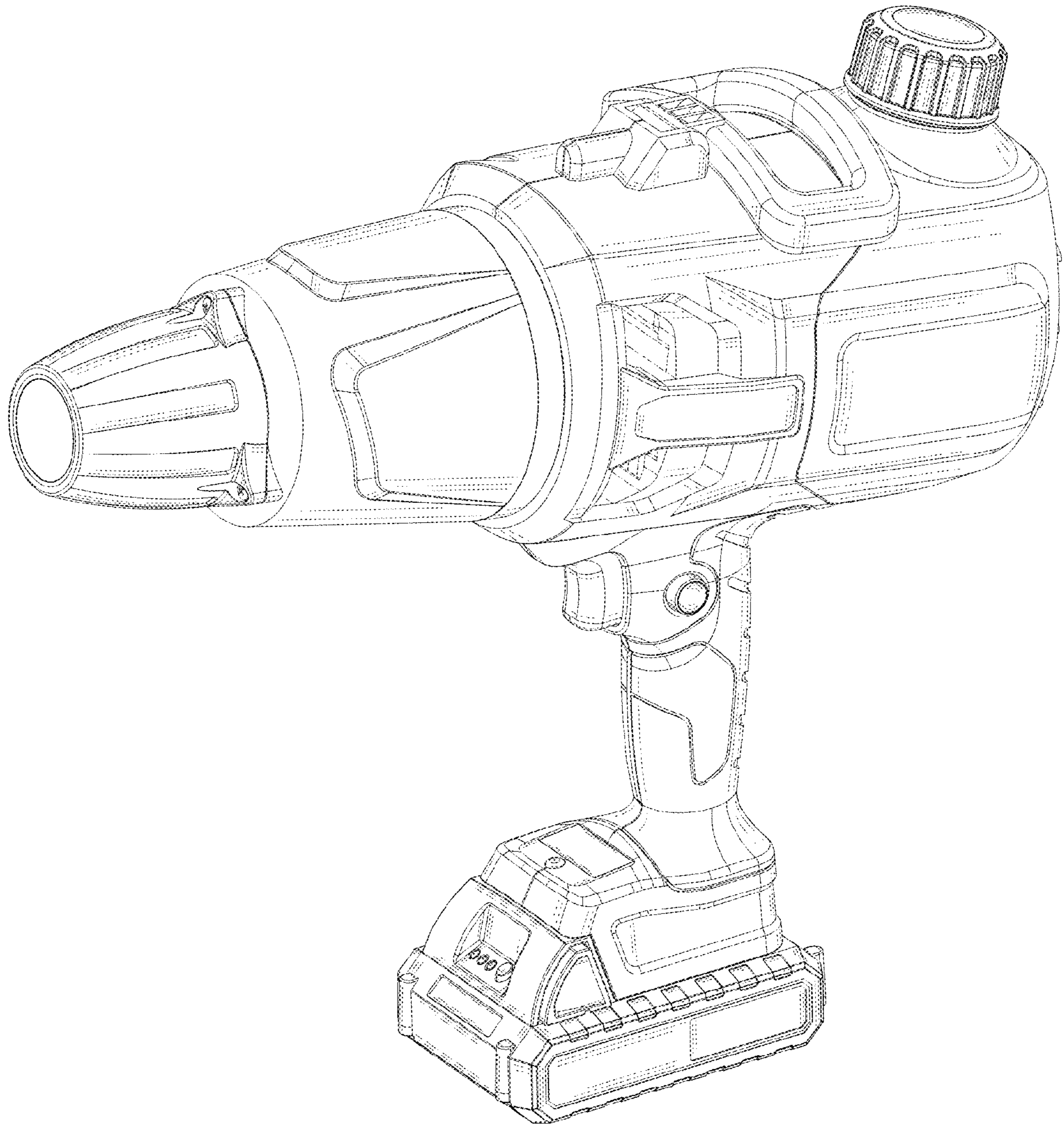


FIG. 9