

US00D961727S

(12) **United States Design Patent** (10) **Patent No.:** **US D961,727 S**
Koiwa (45) **Date of Patent:** **** Aug. 23, 2022**

(54) **SPRINKLER HEAD ACCESSORY**

(71) Applicant: **SENJU SPRINKLER CO., LTD.**,
Tokyo (JP)

(72) Inventor: **Yasuaki Koiwa**, Tokyo (JP)

(73) Assignee: **SENJU SPRINKLER CO., LTD.**,
Tokyo (JP)

(**) Term: **15 Years**

(21) Appl. No.: **29/734,068**

(22) Filed: **May 8, 2020**

(30) **Foreign Application Priority Data**

Mar. 12, 2020 (JP) 2020-004915 D

(51) **LOC (13) Cl.** **23-01**

(52) **U.S. Cl.**
USPC **D23/214**

(58) **Field of Classification Search**
USPC D23/213, 214, 229, 233, 255-265, 269;
D8/349, 354, 382, 396-399
CPC A61H 33/0087; A63B 69/125;
B05B 7/0425; E03C 1/084; E04H 4/169;
F15D 1/025
See application file for complete search history.

(56) **References Cited**

U.S. PATENT DOCUMENTS

5,447,338 A 9/1995 Kikuchi
D520,856 S * 5/2006 Osiecki D8/312
7,185,567 B2 3/2007 Ide
D598,068 S 8/2009 Koiwa
D603,479 S 11/2009 Koiwa

(Continued)

FOREIGN PATENT DOCUMENTS

CN 3567221 10/2006
CN 3624317 3/2007

(Continued)

OTHER PUBLICATIONS

Notice of Allowance from Taiwan Design Patent App. No. 10921126510
(Nov. 20, 2020).

Primary Examiner — Karen S Acker

Assistant Examiner — Jonathan E Fiencke

(74) *Attorney, Agent, or Firm* — Cermak Nakajima &
McGowan LLP; Tomoko Nakajima

(57) **CLAIM**

The ornamental design for a sprinkler head accessory, as
shown and described.

DESCRIPTION

FIG. 1 is a front elevational view of a sprinkler head
accessory showing my new design;

FIG. 2 is a rear elevational thereof;

FIG. 3 is a right side elevational view thereof;

FIG. 4 is a left side elevational view thereof;

FIG. 5 is a top plan view thereof;

FIG. 6 is a bottom plan view thereof;

FIG. 7 is a perspective view thereof;

FIG. 8 is a cross-sectional view thereof, taken in the direc-
tion of line 8-8 of FIG. 1;

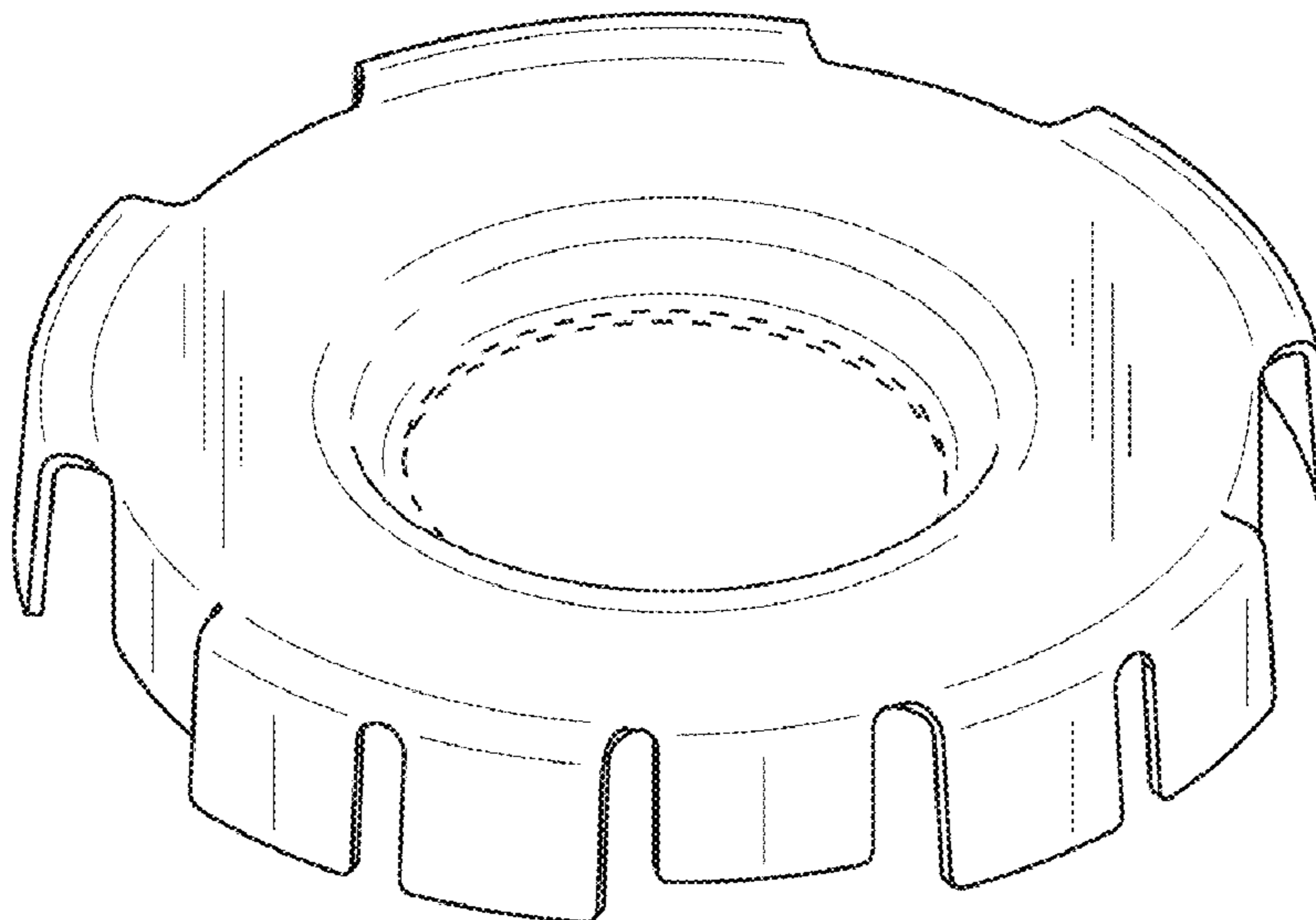
FIG. 9 is a front elevational view of the sprinkler head
accessory and an outer cover of a sprinkler head, wherein the
sprinkler head accessory is in a using position with the outer
cover; and,

FIG. 10 is a cross-sectional view thereof, taken in the
direction of line 10-10 of FIG. 9.

The broken lines shown in FIGS. 1-10 which illustrate the
center area features of the article depict portions of the
sprinkler head accessory that form no part of the claimed
design.

The broken lines shown around the sprinkler head accessory
in FIGS. 9 and 10 depict the environment of an outer cover
that forms no part of the claimed design.

1 Claim, 10 Drawing Sheets



(56)

References Cited

U.S. PATENT DOCUMENTS

D632,944 S * 2/2011 Kang D8/312
D653,523 S * 2/2012 Wackwitz D8/354
8,376,060 B2 2/2013 Orr et al.
D724,182 S * 3/2015 Lu D23/233
D728,177 S * 4/2015 Ishibashi D32/25
D728,743 S * 5/2015 Giles D23/233
D747,183 S * 1/2016 Davidson D8/397
D775,933 S * 1/2017 Hill D8/354
9,616,450 B2 4/2017 Connery et al.
D829,080 S * 9/2018 Hill D8/354
D841,456 S * 2/2019 Barwick D8/399
D895,770 S * 9/2020 Bian D23/233
D898,879 S * 10/2020 Kalb D23/262
D912,204 S * 3/2021 Kim D23/213
D941,636 S * 1/2022 McNamara D7/608
D948,695 S * 4/2022 Patton D23/366
D951,413 S * 5/2022 Han D23/364
D952,820 S * 5/2022 Yang D23/364

FOREIGN PATENT DOCUMENTS

JP 2007-229342 A 9/2007
TW D134245 S 4/2010
TW D148816 S 8/2012

* cited by examiner

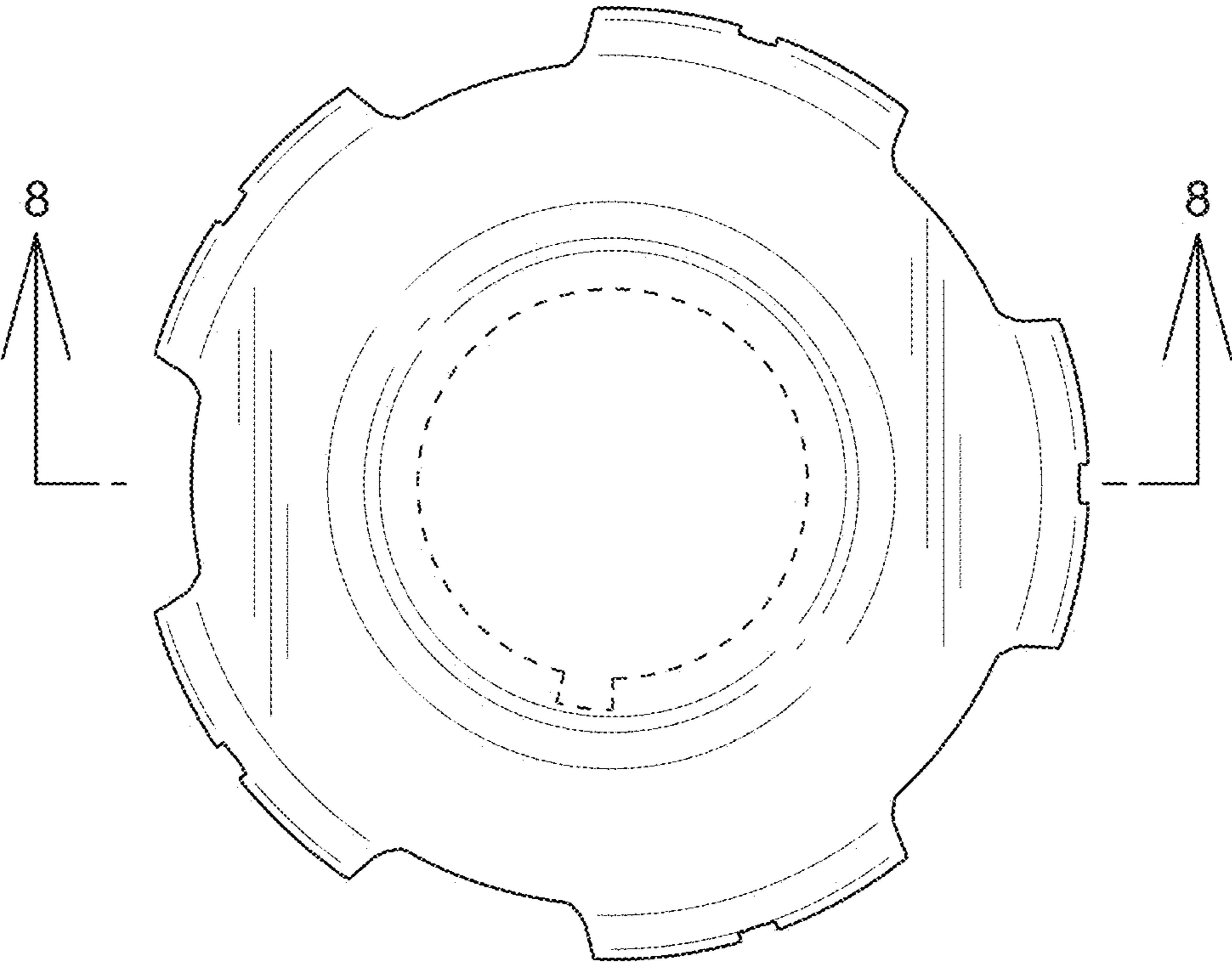


FIG. 1

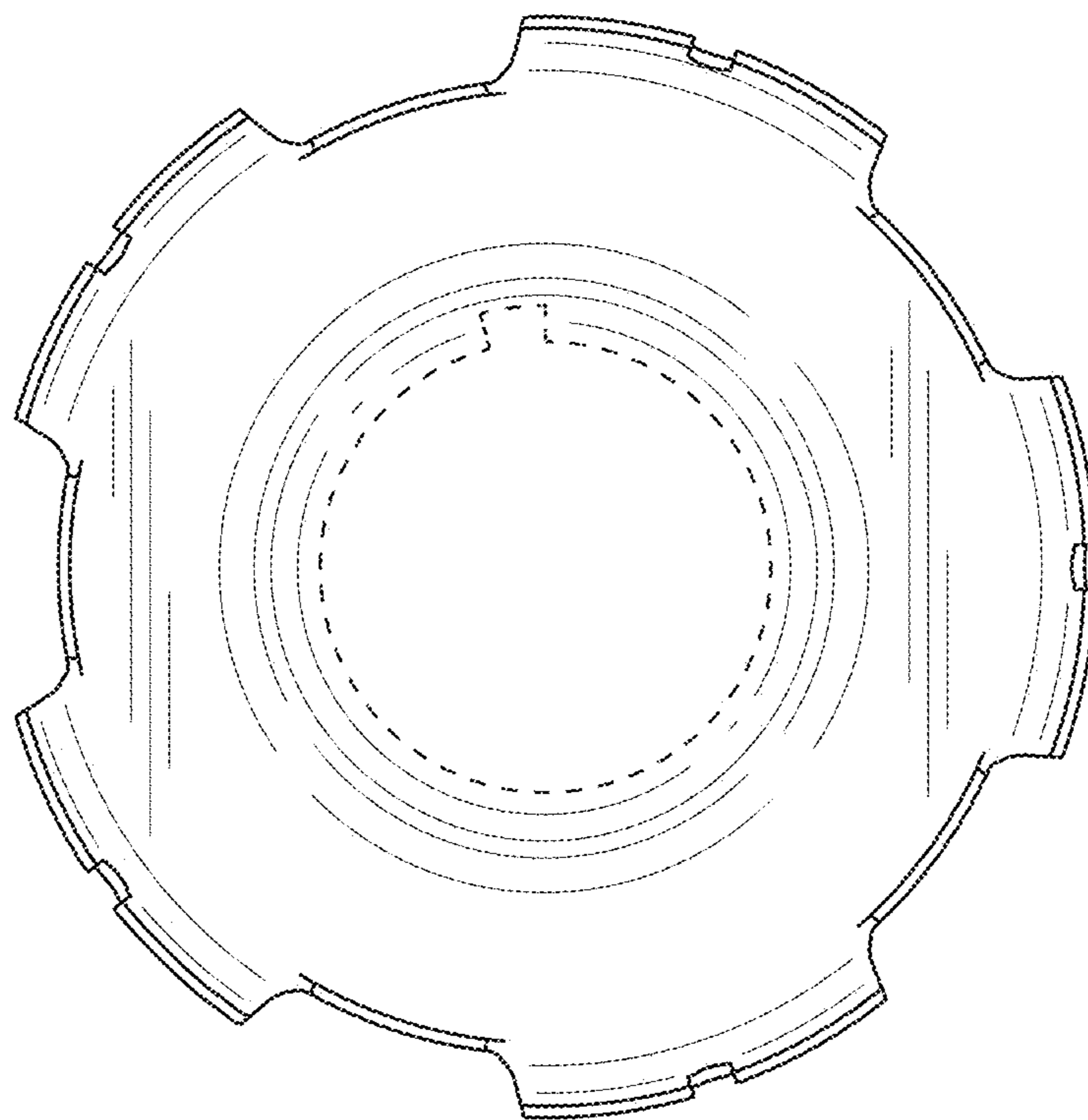


FIG. 2

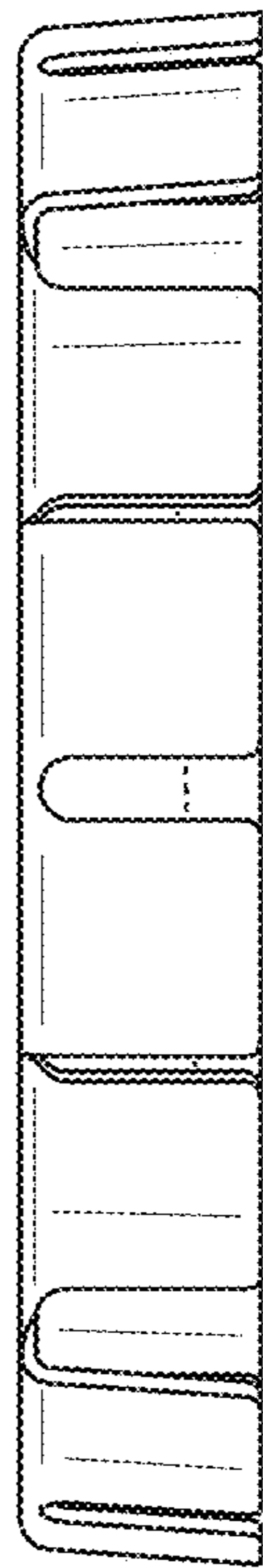


FIG. 3

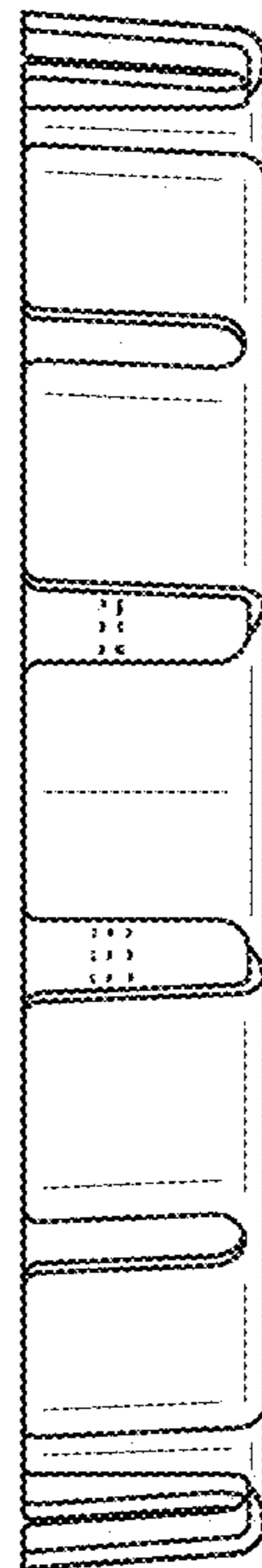


FIG. 4

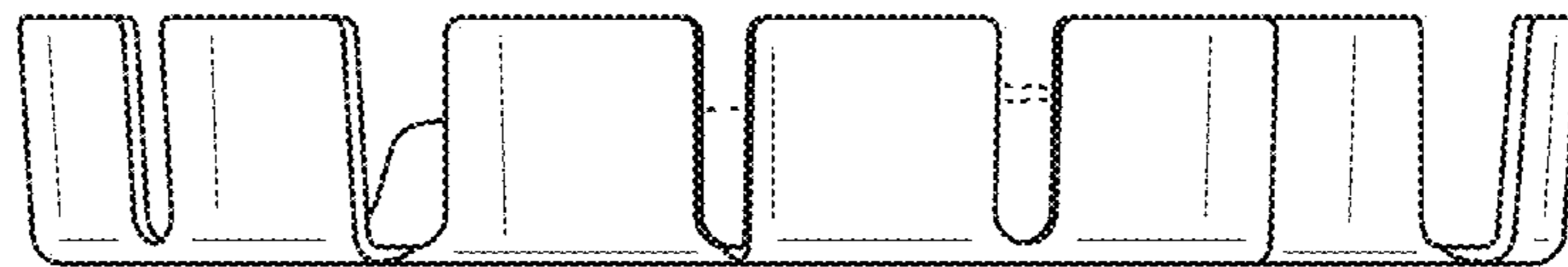


FIG. 5

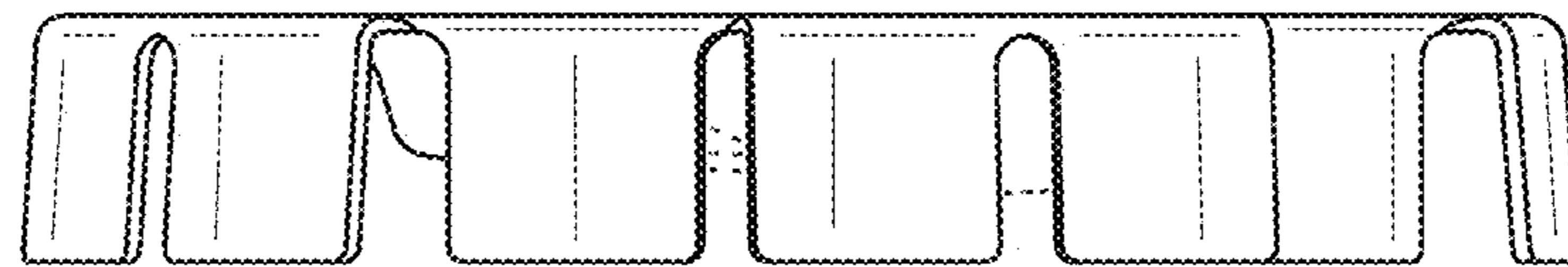


FIG. 6

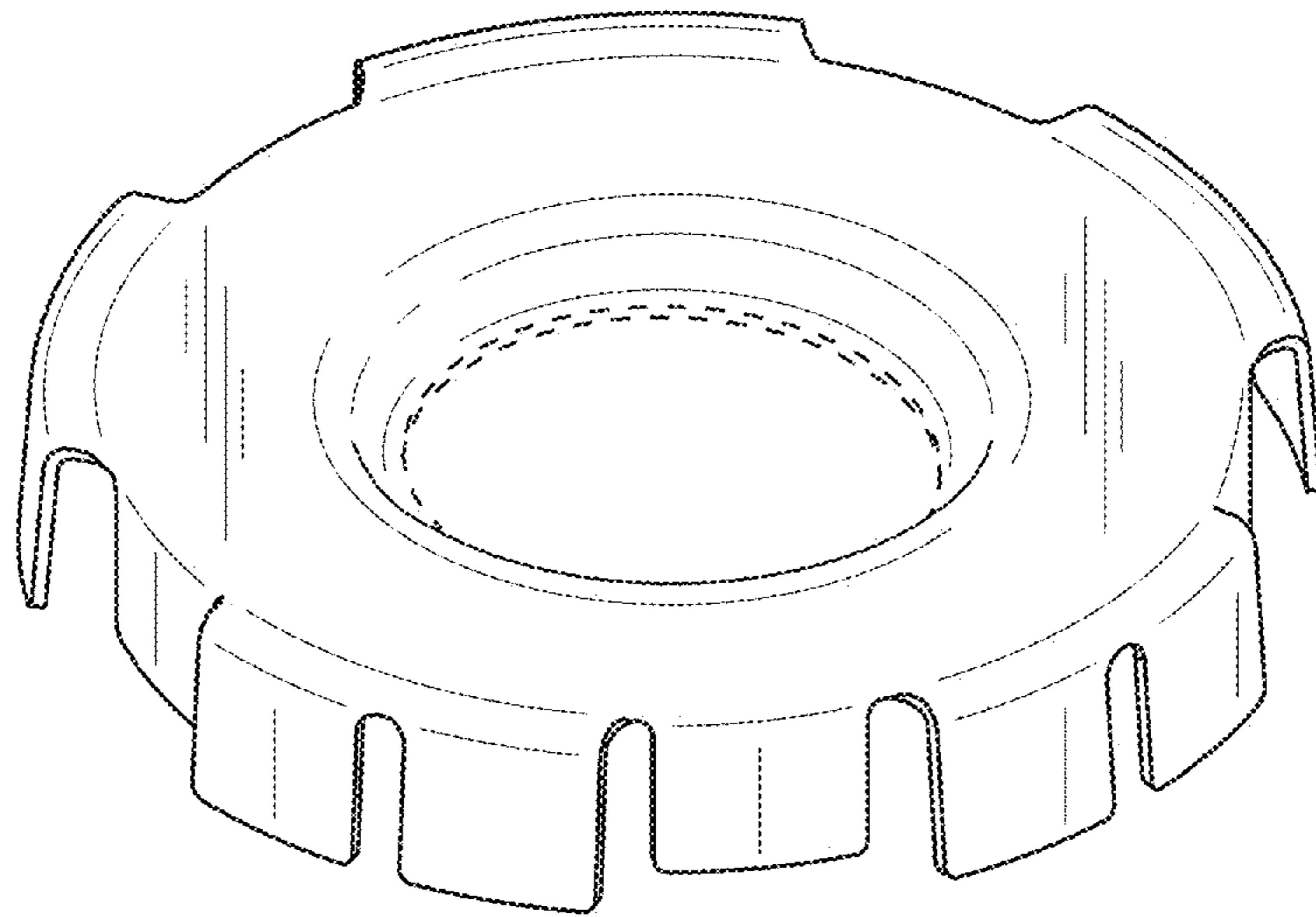


FIG. 7

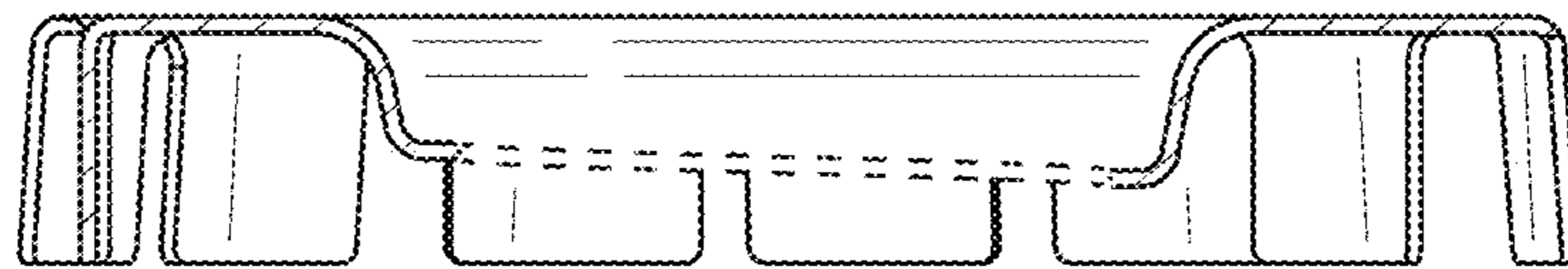


FIG. 8

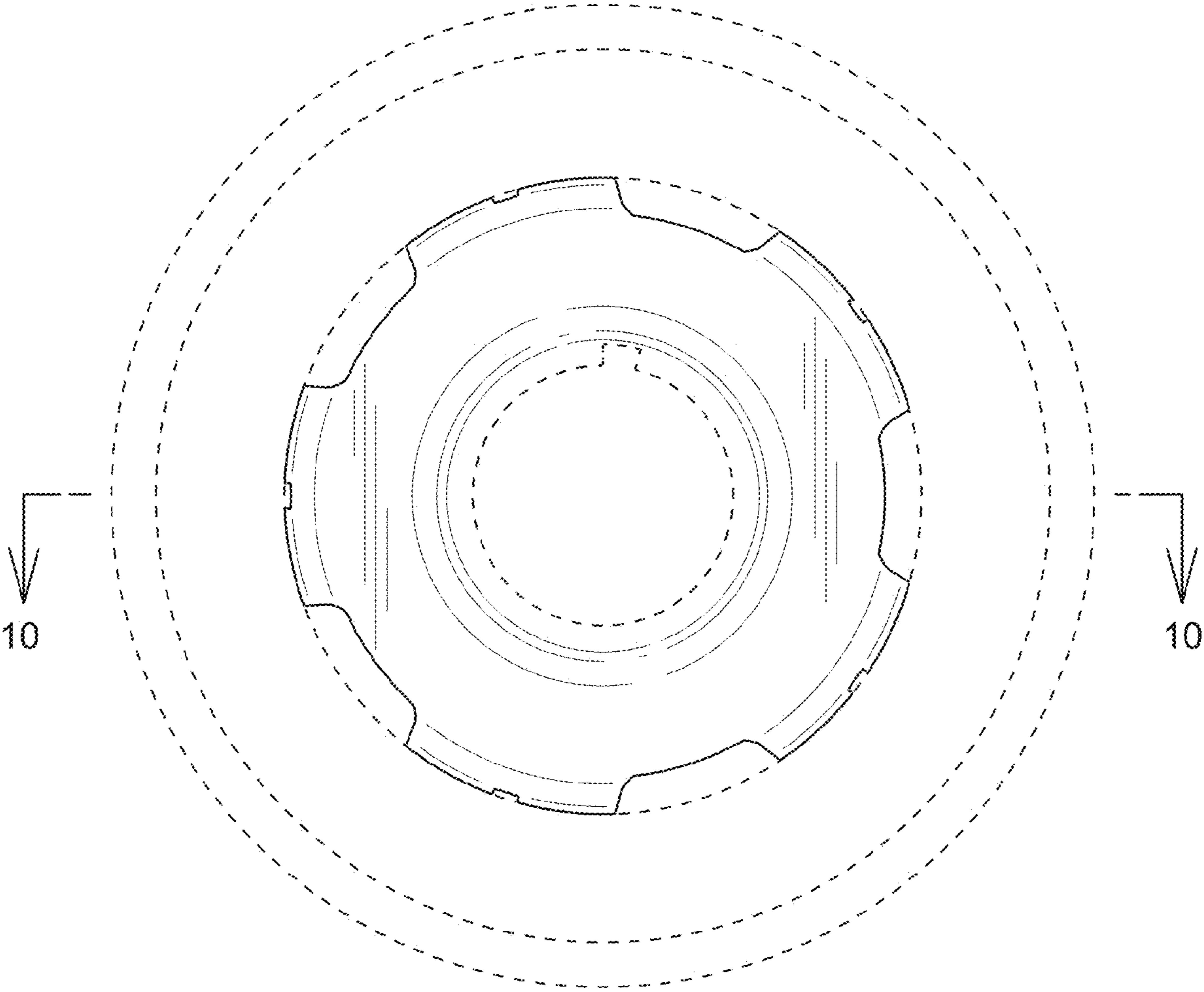


FIG. 9

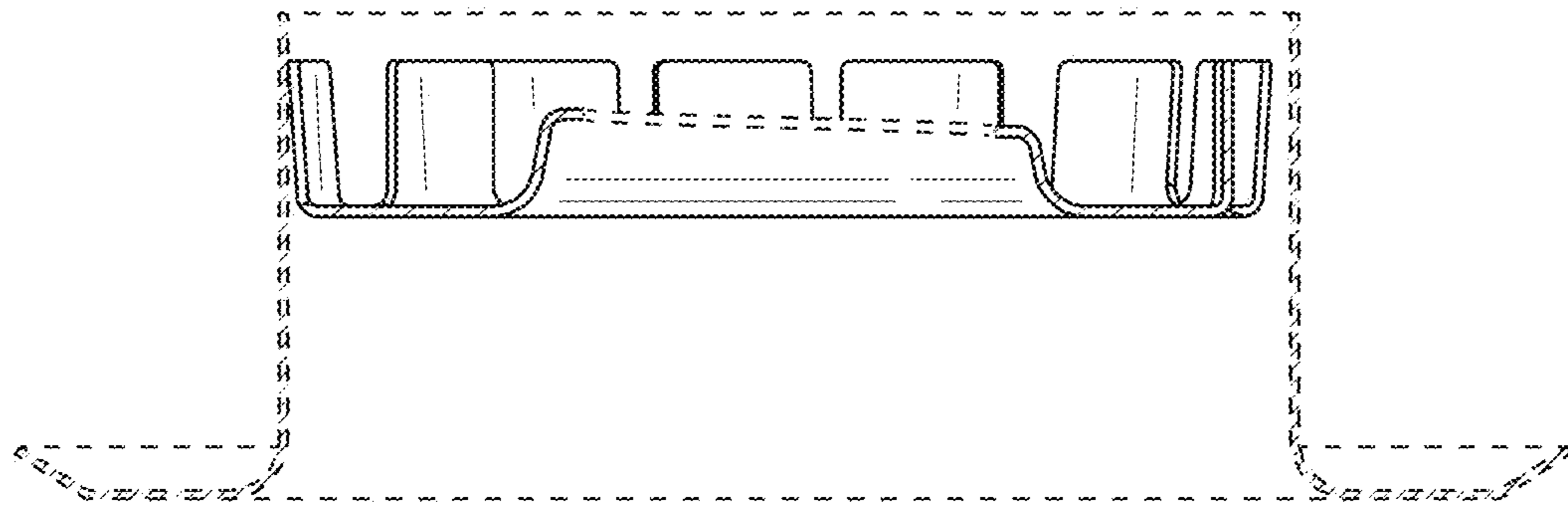


FIG. 10