



US00D961723S

(12) **United States Design Patent** (10) **Patent No.:** **US D961,723 S**  
**Smith** (45) **Date of Patent:** **\*\* Aug. 23, 2022**

(54) **TIPPET SPOOL HOLDER**  
(71) Applicant: **Wayne Tracy Smith**, Auckland (NZ)  
(72) Inventor: **Wayne Tracy Smith**, Auckland (NZ)  
(73) Assignee: **Asian Resource Group, Inc.**  
(\*\*) Term: **15 Years**  
(21) Appl. No.: **29/708,197**  
(22) Filed: **Oct. 4, 2019**  
(51) **LOC (13) Cl.** ..... **22-05**  
(52) **U.S. Cl.**  
USPC ..... **D22/134**  
(58) **Field of Classification Search**  
USPC ..... D22/134, 143, 149; D8/360.1; 43/20,  
43/25.2; 206/395; 49/321, 325;  
242/118.62, 129.6, 129.8, 129.53, 130,  
242/156, 422.4, 595, 608.5, 609.3  
CPC ..... A01K 89/033; A01K 97/00; A01K 97/26;  
B65H 75/14; B65H 75/22; B65H  
2701/31; B65H 2701/51522; D05B 43/00  
See application file for complete search history.

(56) **References Cited**

**U.S. PATENT DOCUMENTS**

1,630,058 A \* 5/1927 Cundey ..... B65H 75/14  
242/118.62  
1,730,431 A \* 10/1929 Keefer ..... D05B 43/00  
242/129.8  
2,578,045 A \* 12/1951 Conrad ..... A01K 97/26  
242/129.53  
3,823,502 A \* 7/1974 Countryman ..... A01K 89/06  
43/20  
D275,593 S \* 9/1984 Carter ..... 242/129.53  
5,467,938 A \* 11/1995 Redman ..... B65H 54/42  
242/118.5  
5,855,085 A \* 1/1999 Jinks, Jr. .... B65H 49/26  
43/20

5,868,348 A \* 2/1999 Bulman ..... B65H 75/22  
242/608.5  
2015/0305314 A1\* 10/2015 Rohrer ..... A01K 89/081  
43/20  
2018/0282106 A1\* 10/2018 Veit ..... B65H 75/14

**OTHER PUBLICATIONS**

White River Fly Shop Tippet Spool Holder . . . [https://www.cabelas.com/shop/en/white-river-fly-shop-tippet-spool-holder?ds\\_e=GOOGLE&ds\\_c=Shop%7CGeneric%7CAIIPProducts%7CHigh%7CSSCCatchAll&gclid=](https://www.cabelas.com/shop/en/white-river-fly-shop-tippet-spool-holder?ds_e=GOOGLE&ds_c=Shop%7CGeneric%7CAIIPProducts%7CHigh%7CSSCCatchAll&gclid=EAIaIaQobChMI4OHOfXdx8QIVdejbX31GwgeEAQYASABEgJEUvD_BwE&gclid=aw.ds)  
EAIaIaQobChMI4OHOfXdx8QIVdejbX31GwgeEAQYASABEgJEUvD\_BwE&gclid=aw.ds (Year: 2021).  
Mountain River Lanyard Aluminum Tippet Holder . . . [https://www.swansonsbait.com/orvis-tippet-tool-tippet-holder-2pt1/?sku=ORV-2PT1-05&gclid=EAIaIaQobChMI3aTzw\\_f8QIVzZ6zCh1rOgw5EAQYDSABEgJqgPD\\_BwE](https://www.swansonsbait.com/orvis-tippet-tool-tippet-holder-2pt1/?sku=ORV-2PT1-05&gclid=EAIaIaQobChMI3aTzw_f8QIVzZ6zCh1rOgw5EAQYDSABEgJqgPD_BwE) (Year: 2020).\*

\* cited by examiner

*Primary Examiner* — Catherine R Oliver-Garcia

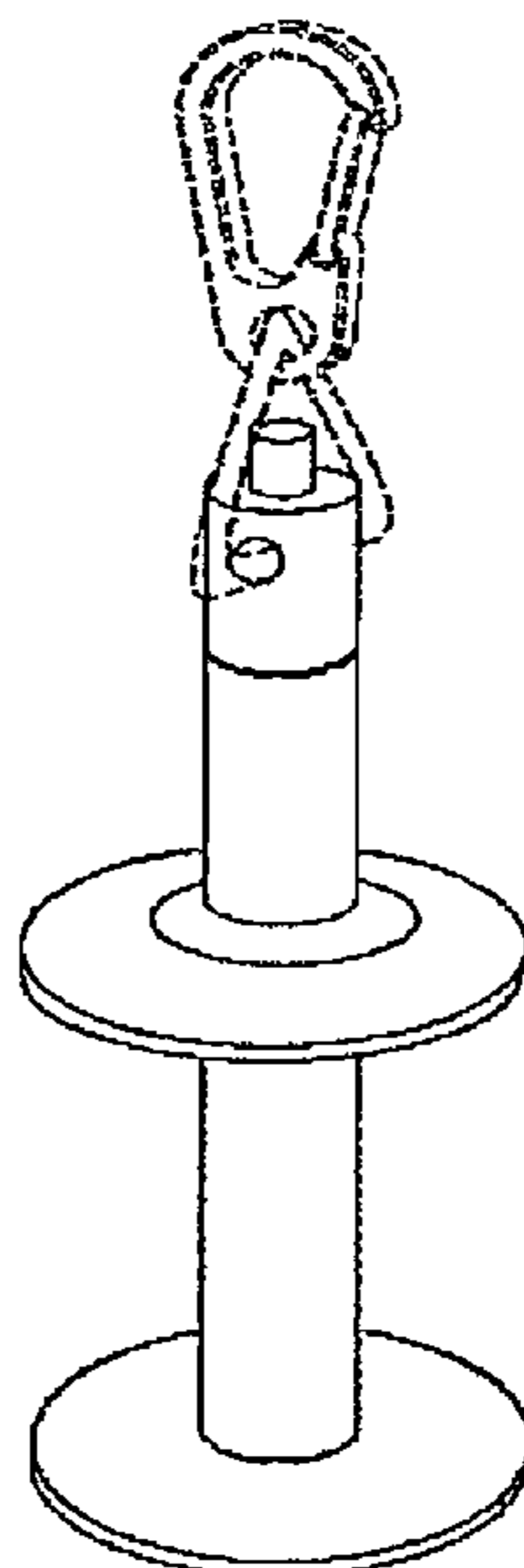
(57) **CLAIM**

The ornamental design for a tippet spool holder, as shown and described.

**DESCRIPTION**

FIG. 1 is a perspective view of the tippet spool holder; FIG. 2 is a side view of the tippet spool holder; FIG. 3 is an enlarged top plan view of the tippet spool holder; and, FIG. 4 is an enlarged bottom plan view of the tippet spool holder. The broken lines depict portion of the tippet spool holder that for no part of the claimed design.

**1 Claim, 4 Drawing Sheets**



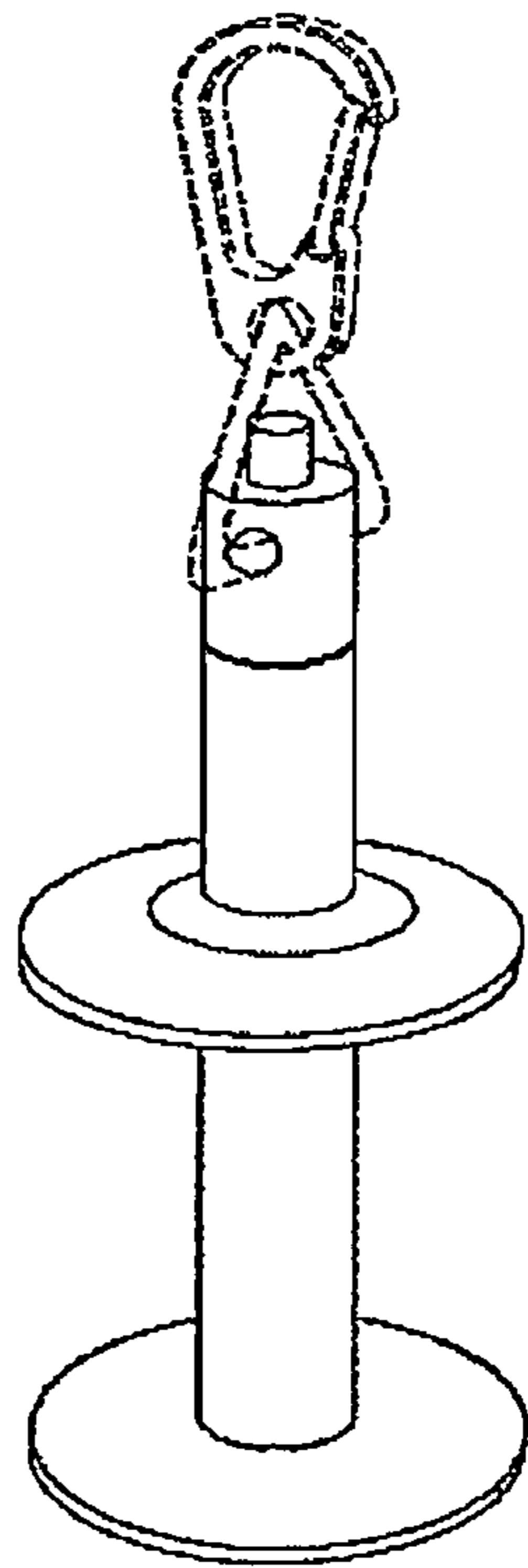


FIG. 1

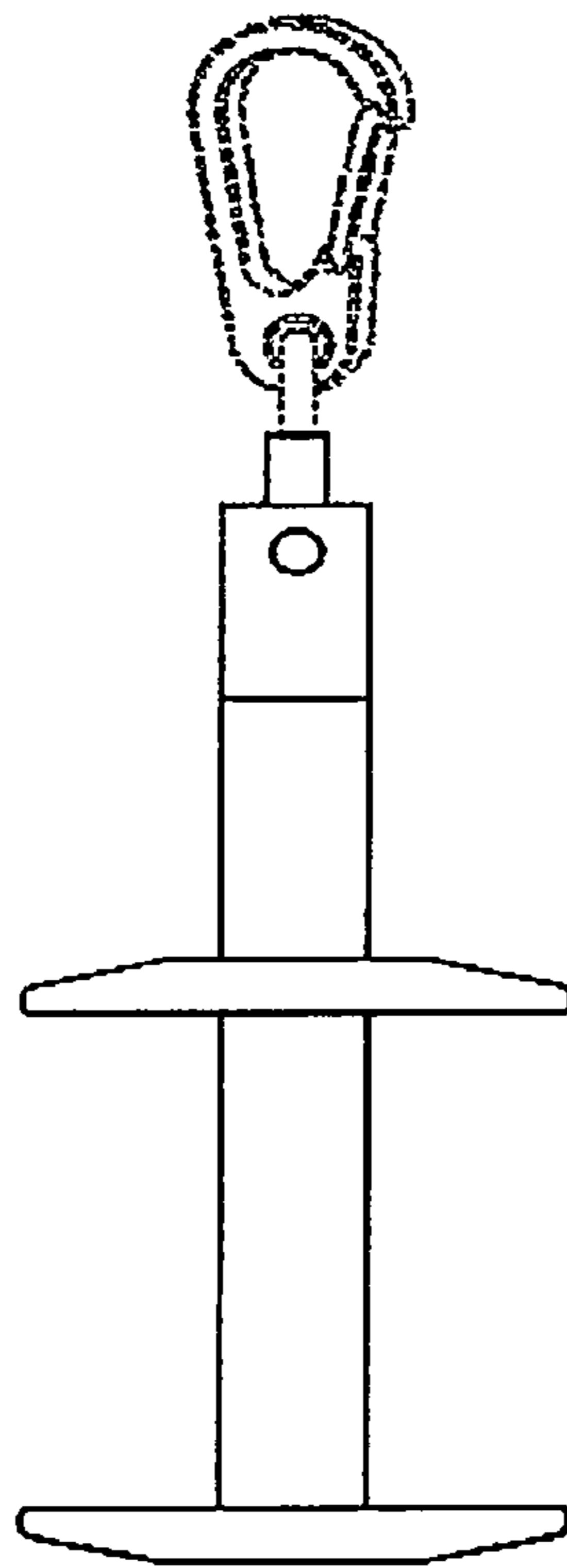


FIG. 2

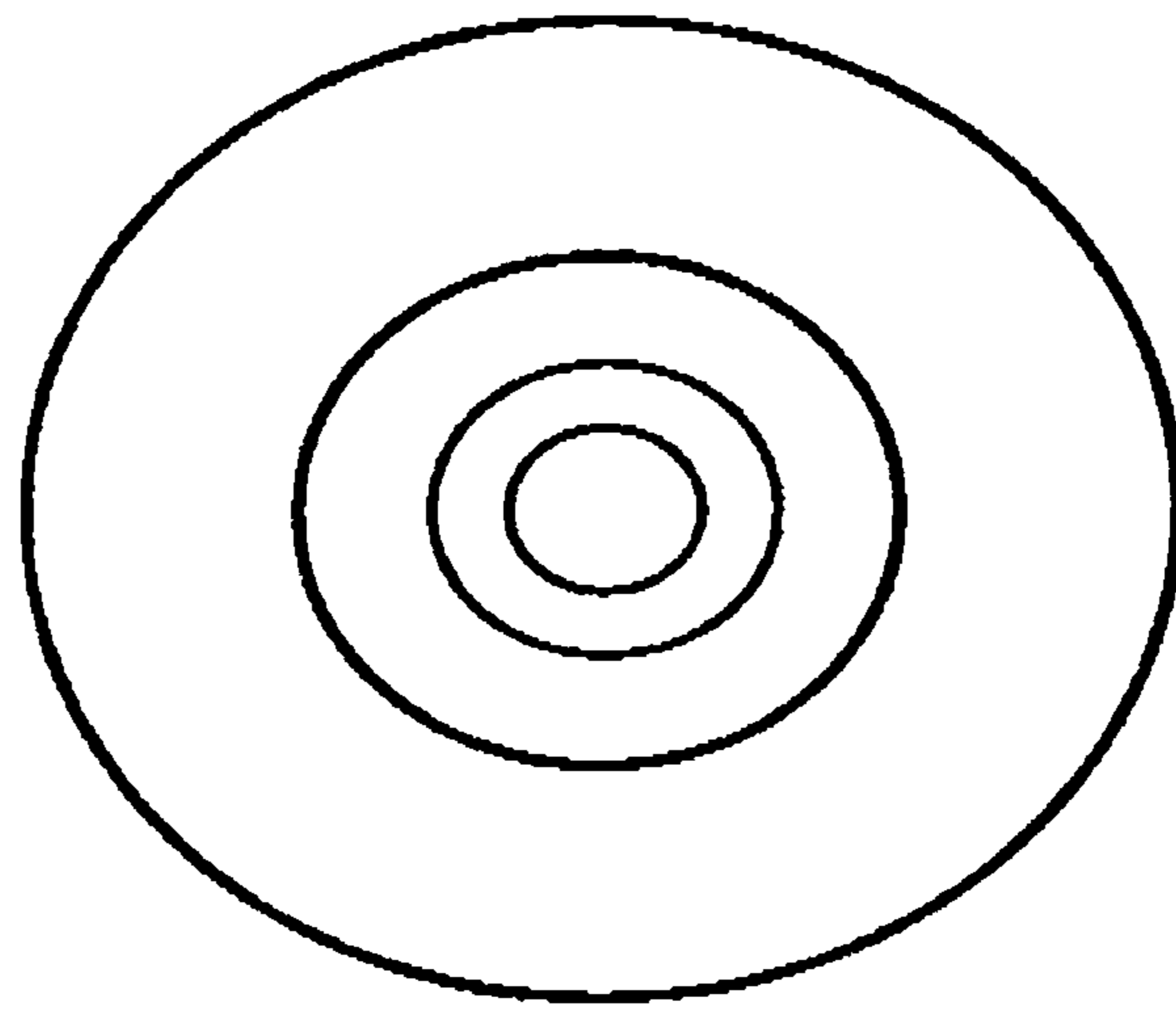


FIG. 3

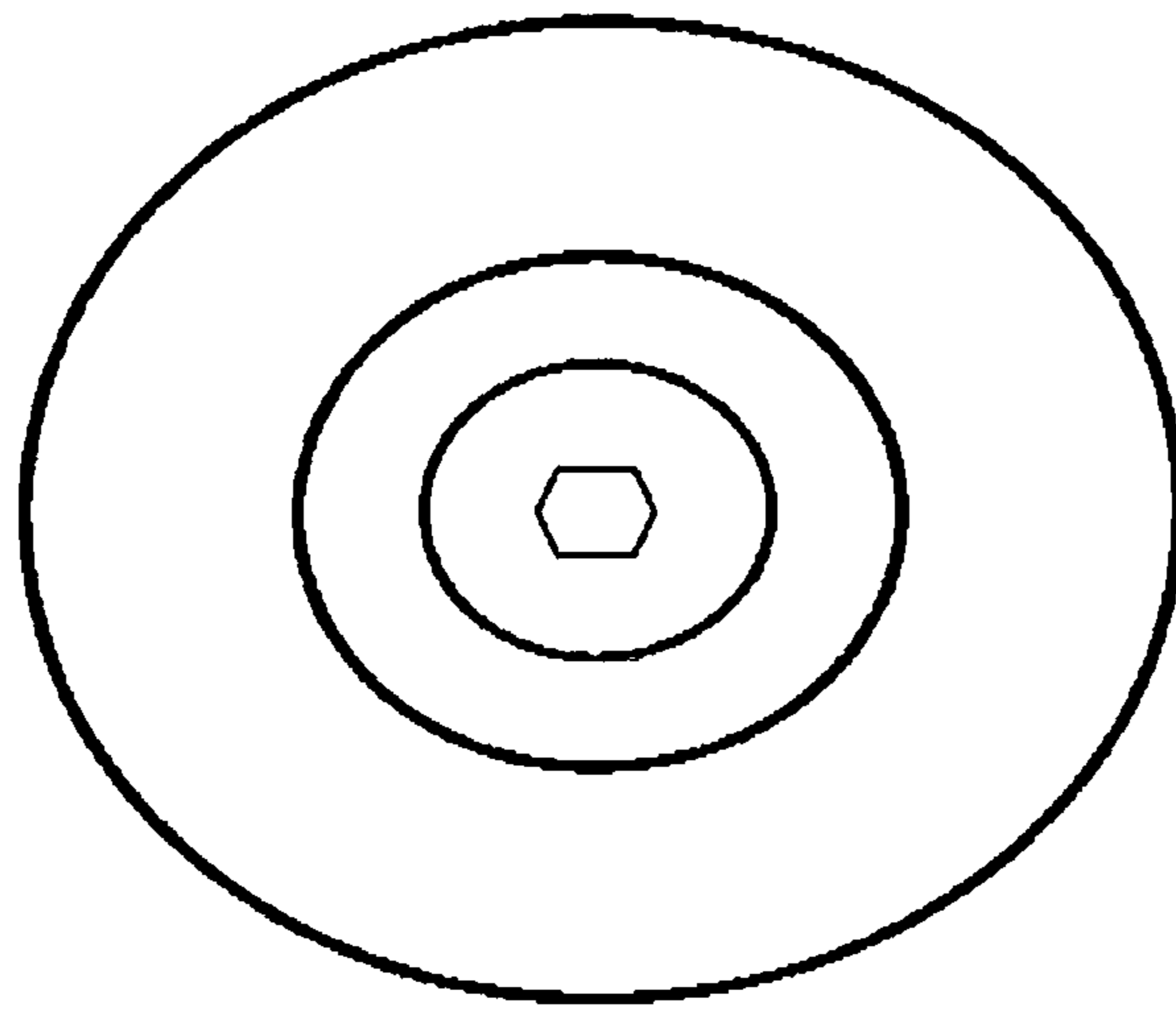


FIG. 4