



US00D961722S

(12) **United States Design Patent**  
**Tucker**

(10) **Patent No.:** **US D961,722 S**

(45) **Date of Patent:** **\*\* Aug. 23, 2022**

(54) **ARTIFICIAL BUG PLASTIC BAIT**

\* cited by examiner

(71) Applicant: **Googan Baits, LLC**, Thayer, MO (US)

*Primary Examiner* — Catherine R Oliver-Garcia

(72) Inventor: **Winston Tucker**, Thayer, MO (US)

(74) *Attorney, Agent, or Firm* — Crowe & Dunlevy, P.C.

(73) Assignee: **Googan Baits, LLC**, Thayer, MO (US)

(57) **CLAIM**

(\*\*) Term: **15 Years**

The ornamental design for an artificial bug plastic bait, as shown and described.

(21) Appl. No.: **29/753,428**

(22) Filed: **Sep. 30, 2020**

(51) **LOC (13) Cl.** ..... **22-05**

(52) **U.S. Cl.**

USPC ..... **D22/132; D22/127**

(58) **Field of Classification Search**

USPC ..... D22/126–127, 129, 131–133

CPC ..... A01K 85/00; A01K 85/01; A01K 85/02;

A01K 85/10; A01K 85/16; A01K 85/18;

A01K 87/00

See application file for complete search history.

**DESCRIPTION**

FIG. 1 is a perspective view of an artificial bug plastic bait showing the design;

FIG. 2 is a top plan view of the artificial bug plastic bait shown in FIG. 1;

FIG. 3 is a bottom plan view of the artificial bug plastic bait shown in FIG. 1;

FIG. 4 is a rear elevation view of the artificial bug plastic bait shown in FIG. 1;

FIG. 5 is a front elevation view of the artificial bug plastic bait shown in FIG. 1;

FIG. 6 is a first side elevation view of the artificial bug plastic bait shown in FIG. 1; and,

FIG. 7 is a second side elevation view of the artificial bug plastic bait shown in FIG. 1.

The broken lines shown in the figures represent portions of the artificial bug plastic bait that form no part of the claimed design.

(56) **References Cited**

**U.S. PATENT DOCUMENTS**

D480,780 S \* 10/2003 Chambers, Sr. .... D22/127

D671,615 S \* 11/2012 Moore ..... D22/127

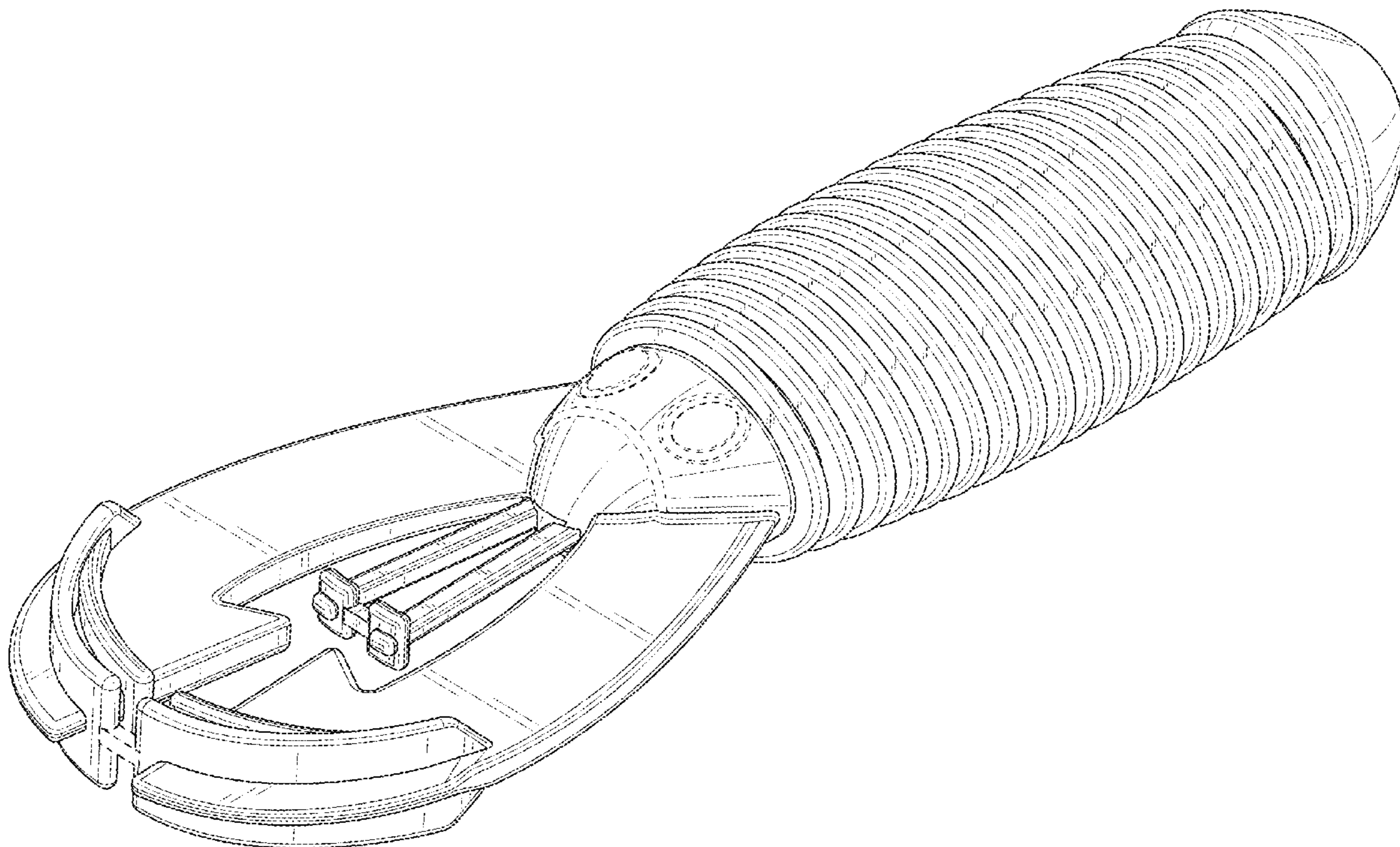
D888,878 S \* 6/2020 Flair ..... D22/132

D888,880 S \* 6/2020 Flair ..... D22/132

D906,475 S \* 12/2020 Teschendorf ..... D22/127

2016/0286769 A1 \* 10/2016 Stark ..... A01K 85/16

**1 Claim, 6 Drawing Sheets**



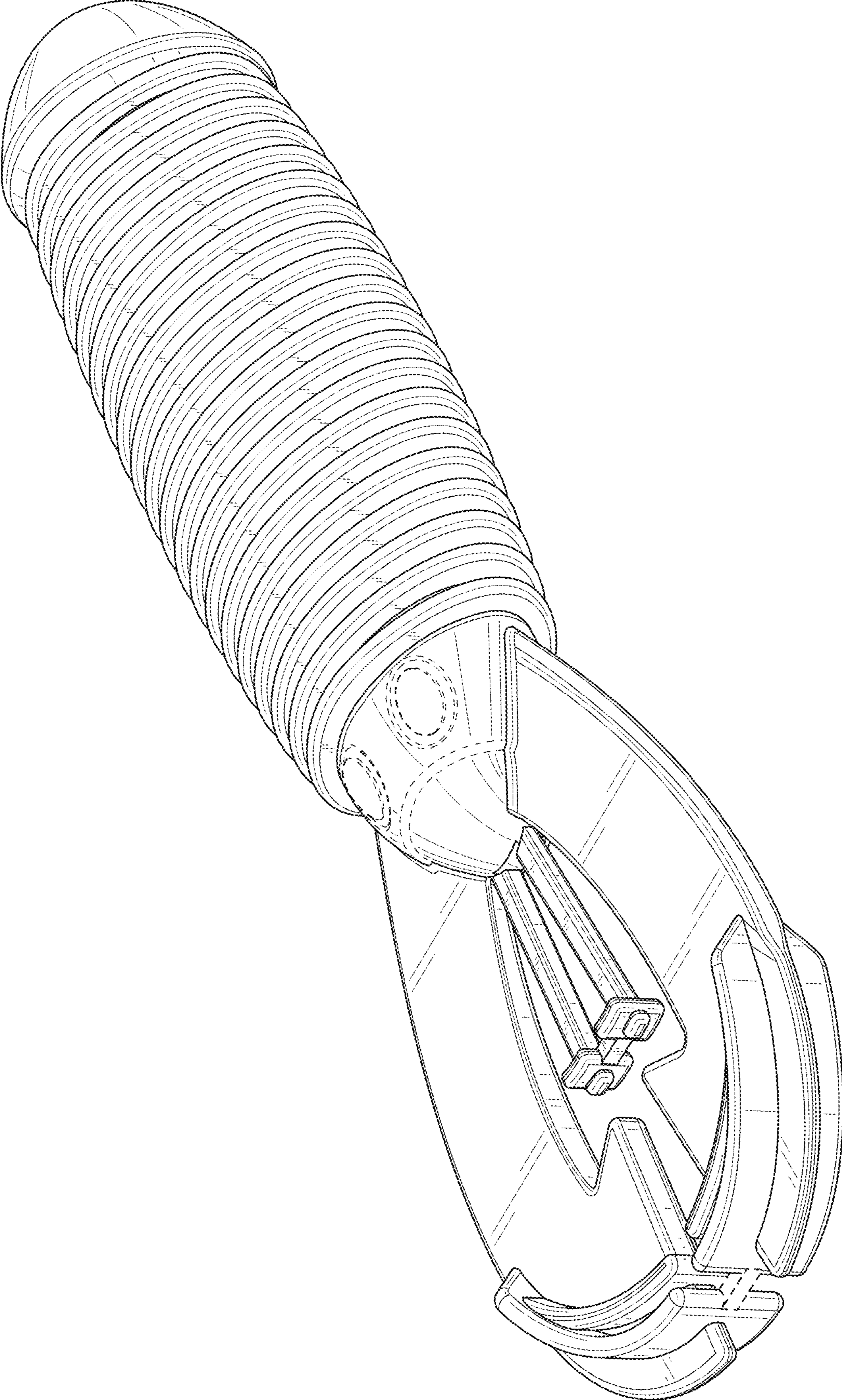


FIG. 1

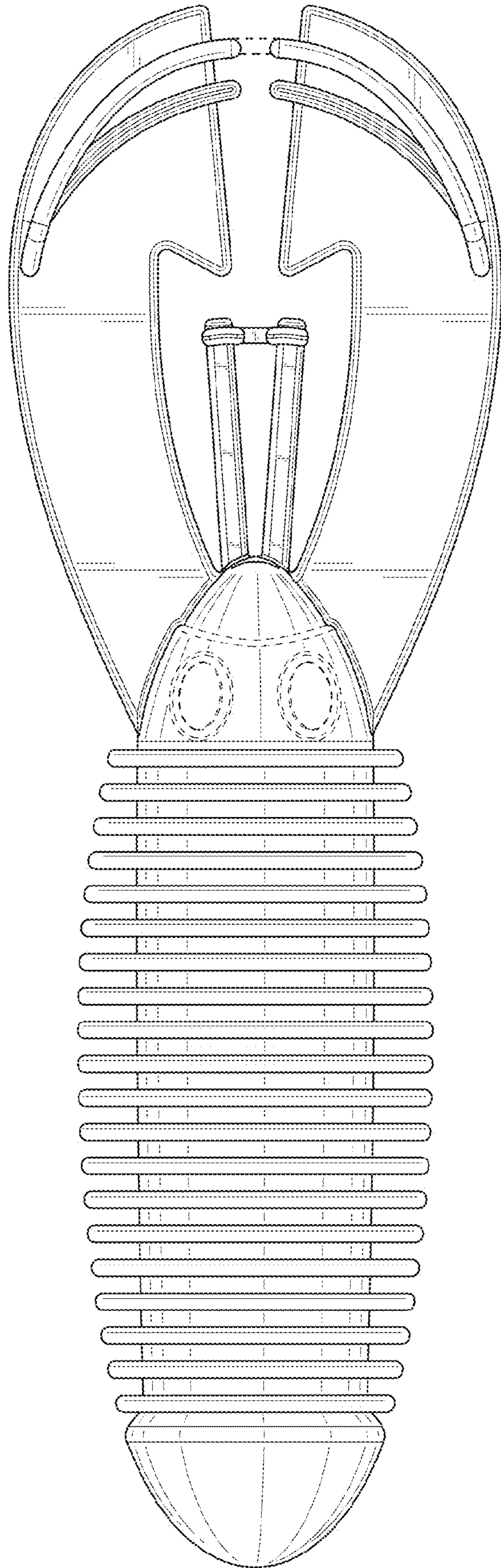


FIG. 2

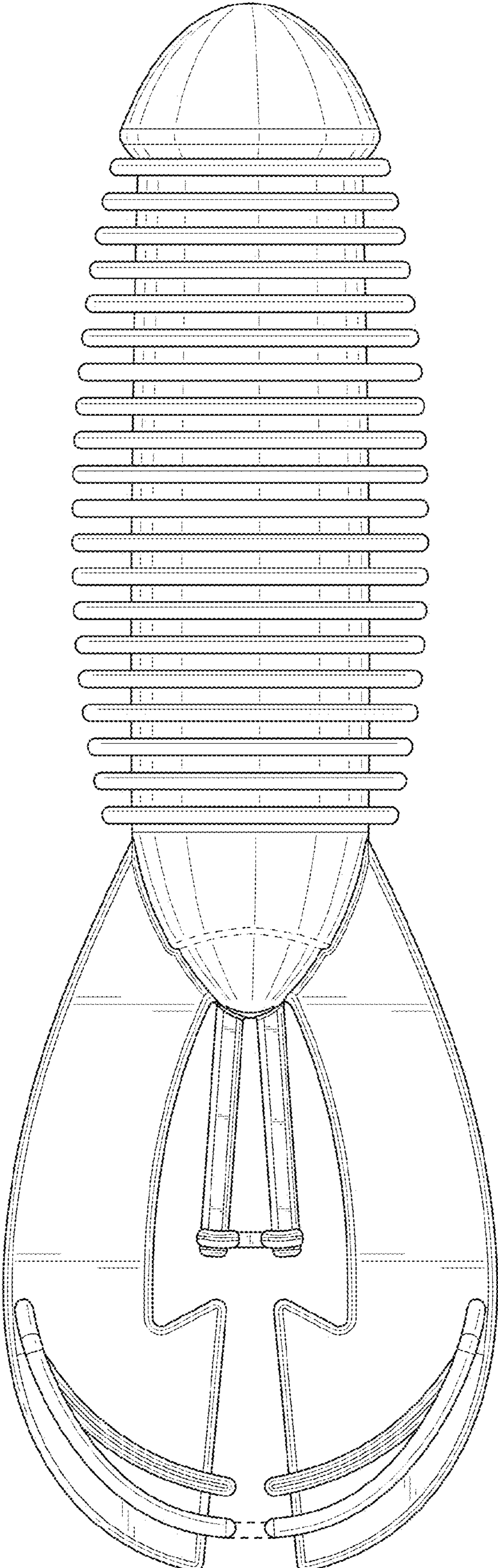


FIG. 3

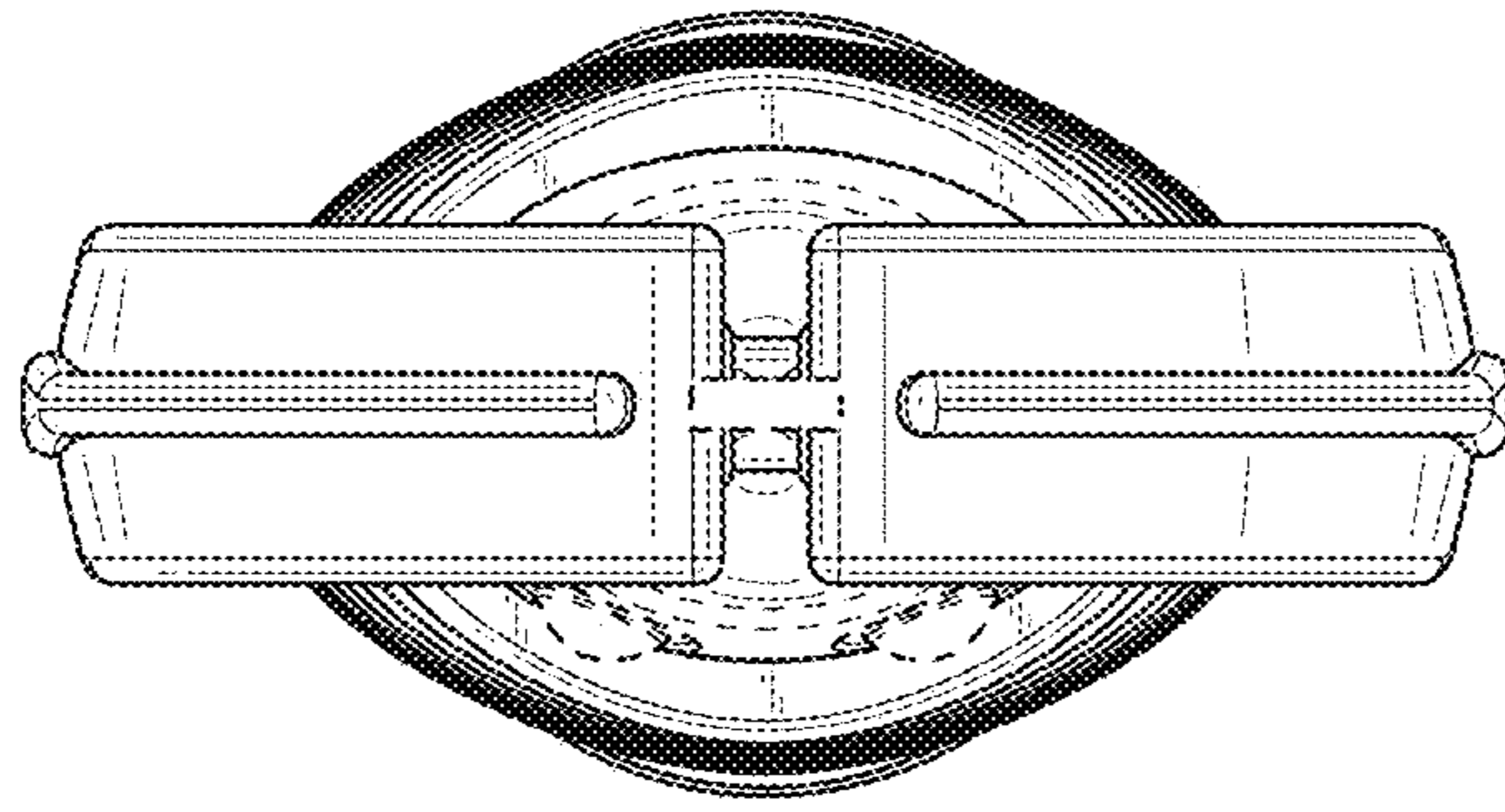


FIG. 5

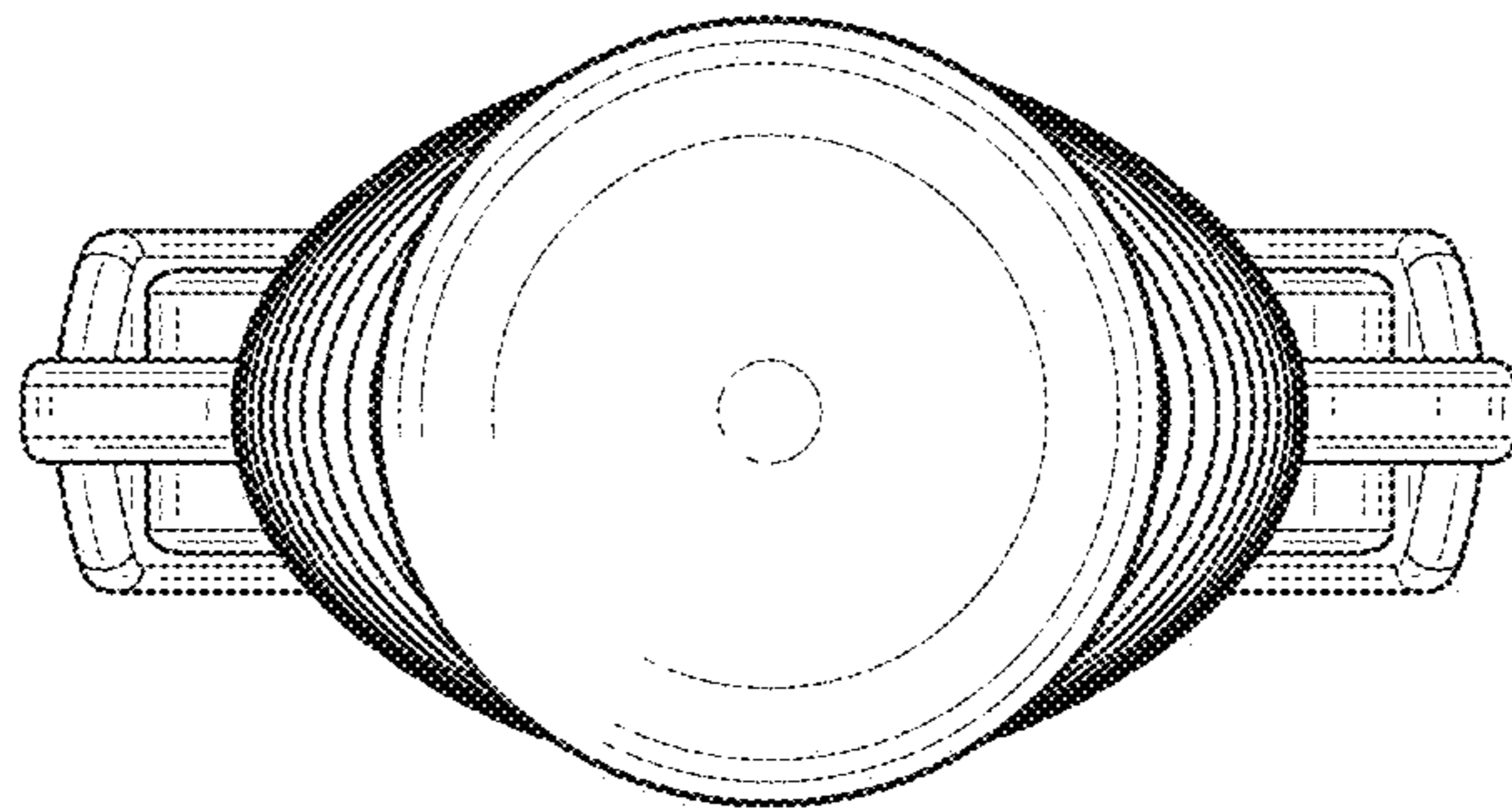


FIG. 4

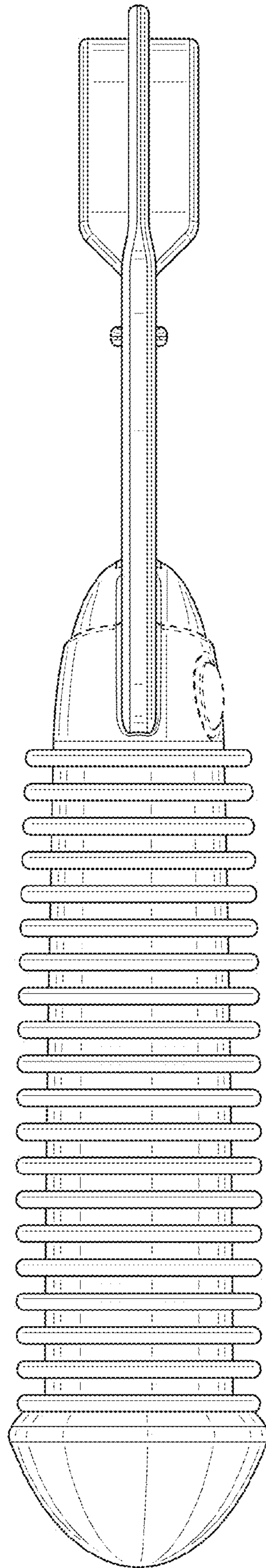


FIG. 6

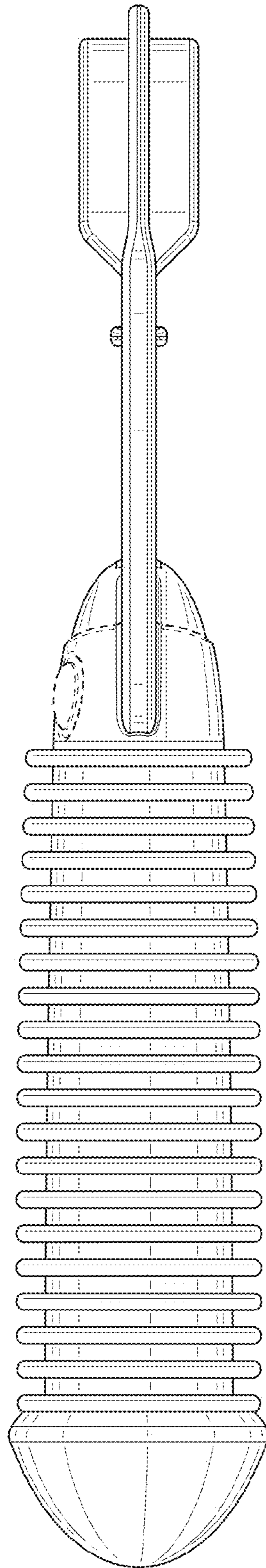


FIG. 7