



US00D961721S

(12) **United States Design Patent**
Tucker

(10) **Patent No.:** **US D961,721 S**

(45) **Date of Patent:** **** Aug. 23, 2022**

(54) **ARTIFICIAL CRAWFISH PLASTIC BAIT**

D888,878 S * 6/2020 Flair D22/132
D888,879 S * 6/2020 Flair D22/132

(71) Applicant: **Googan Baits, LLC**, Thayer, MO (US)

* cited by examiner

(72) Inventor: **Winston Tucker**, Thayer, MO (US)

Primary Examiner — Catherine R Oliver-Garcia
(74) *Attorney, Agent, or Firm* — Crowe & Dunlevy, P.C.

(73) Assignee: **Googan Baits, LLC**, Thayer, MO (US)

(57) **CLAIM**

(**) Term: **15 Years**

The ornamental design for an artificial crawfish plastic bait, as shown and described.

(21) Appl. No.: **29/753,423**

DESCRIPTION

(22) Filed: **Sep. 30, 2020**

(51) **LOC (13) Cl.** **22-05**

(52) **U.S. Cl.**

USPC **D22/132**

(58) **Field of Classification Search**

USPC D22/126–127, 131–133

CPC A01K 85/00; A01K 85/01; A01K 85/02;

A01K 85/10; A01K 85/16; A01K 85/18

See application file for complete search history.

FIG. 1 is a perspective view of an artificial crawfish plastic bait showing the design;

FIG. 2 is a top plan view of the artificial crawfish plastic bait shown in FIG. 1;

FIG. 3 is a bottom plan view of the artificial crawfish plastic bait shown in FIG. 1;

FIG. 4 is a front elevation view of the artificial crawfish plastic bait shown in FIG. 1;

FIG. 5 is a rear elevation view of the artificial crawfish plastic bait shown in FIG. 1;

FIG. 6 is a first side elevation view of the artificial crawfish plastic bait shown in FIG. 1; and,

FIG. 7 is a second side elevation view of the artificial crawfish plastic bait shown in FIG. 1.

The broken lines shown in the figures represent portions of the artificial crawfish plastic bait that form no part of the claimed design.

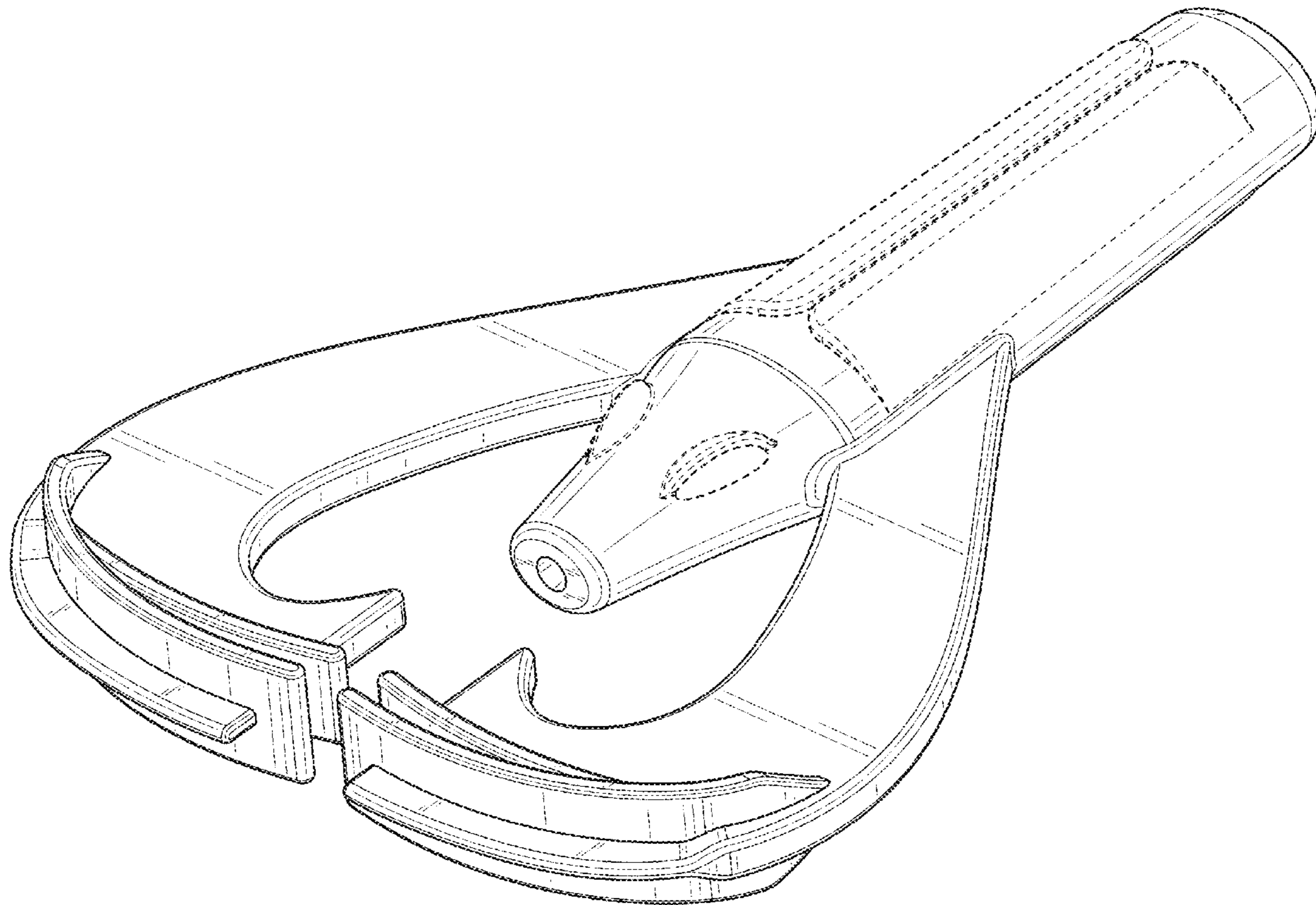
(56) **References Cited**

U.S. PATENT DOCUMENTS

D625,383 S * 10/2010 Rush D22/126

D888,189 S * 6/2020 Smith D22/132

1 Claim, 6 Drawing Sheets



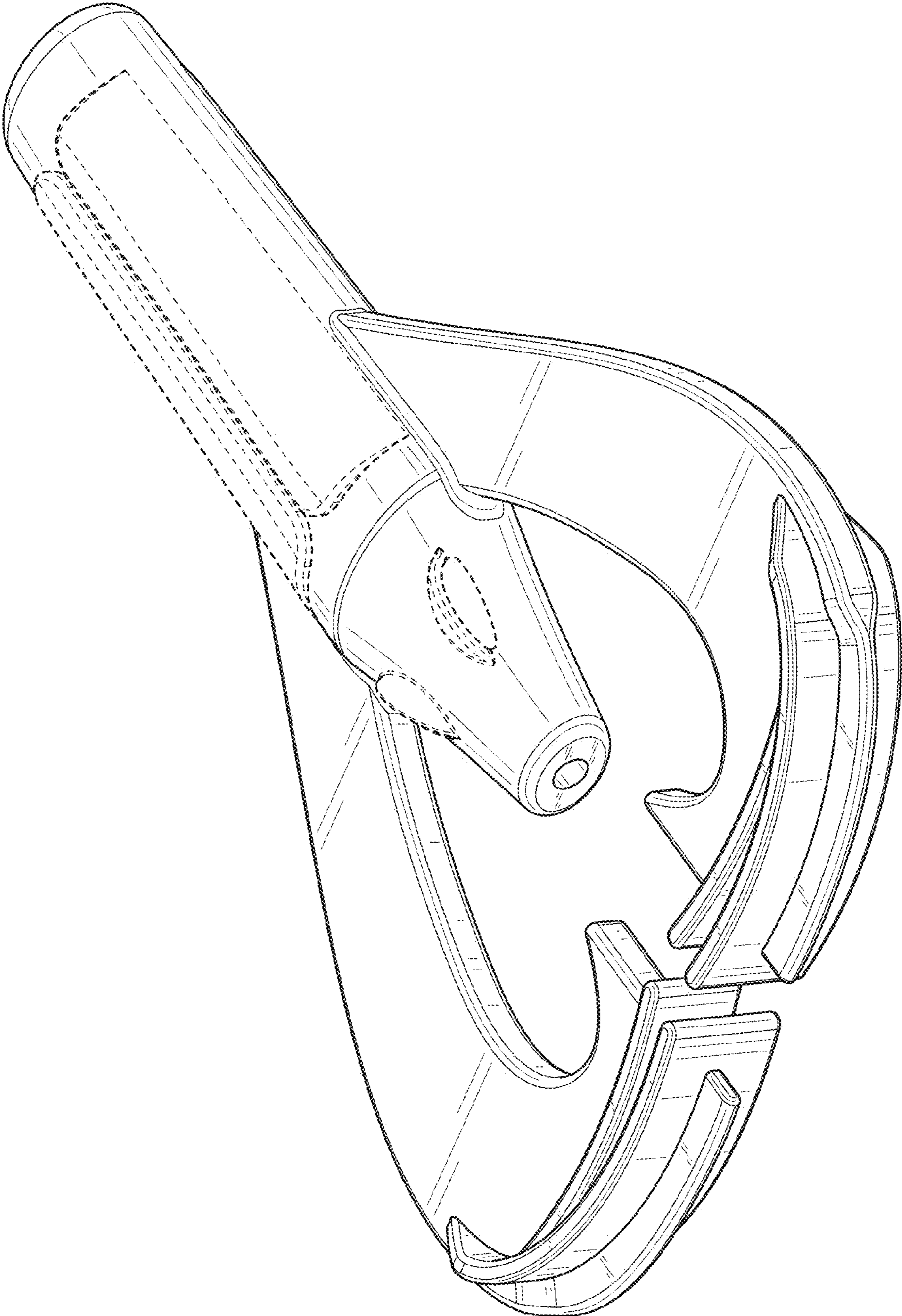


FIG. 1

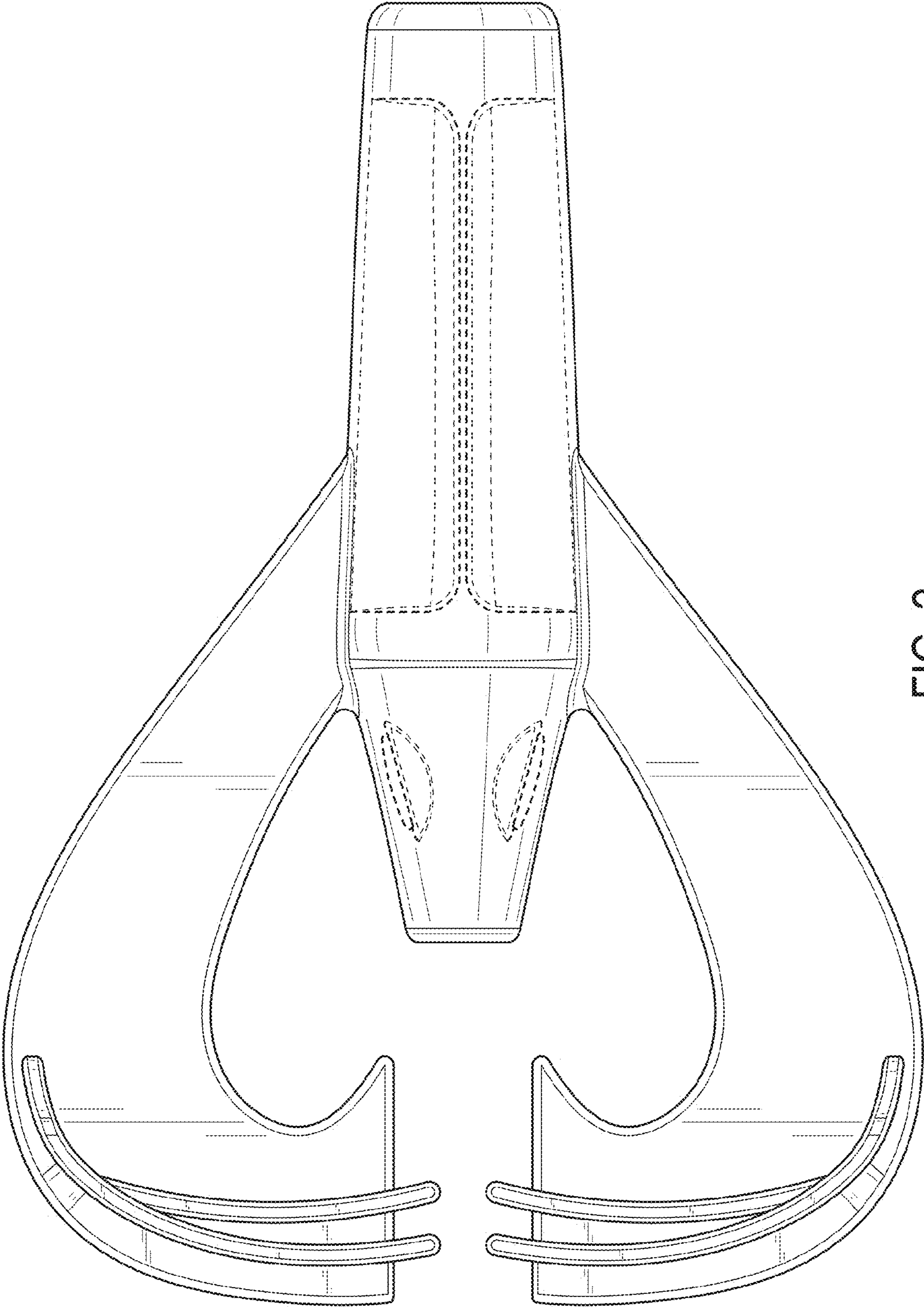


FIG. 2

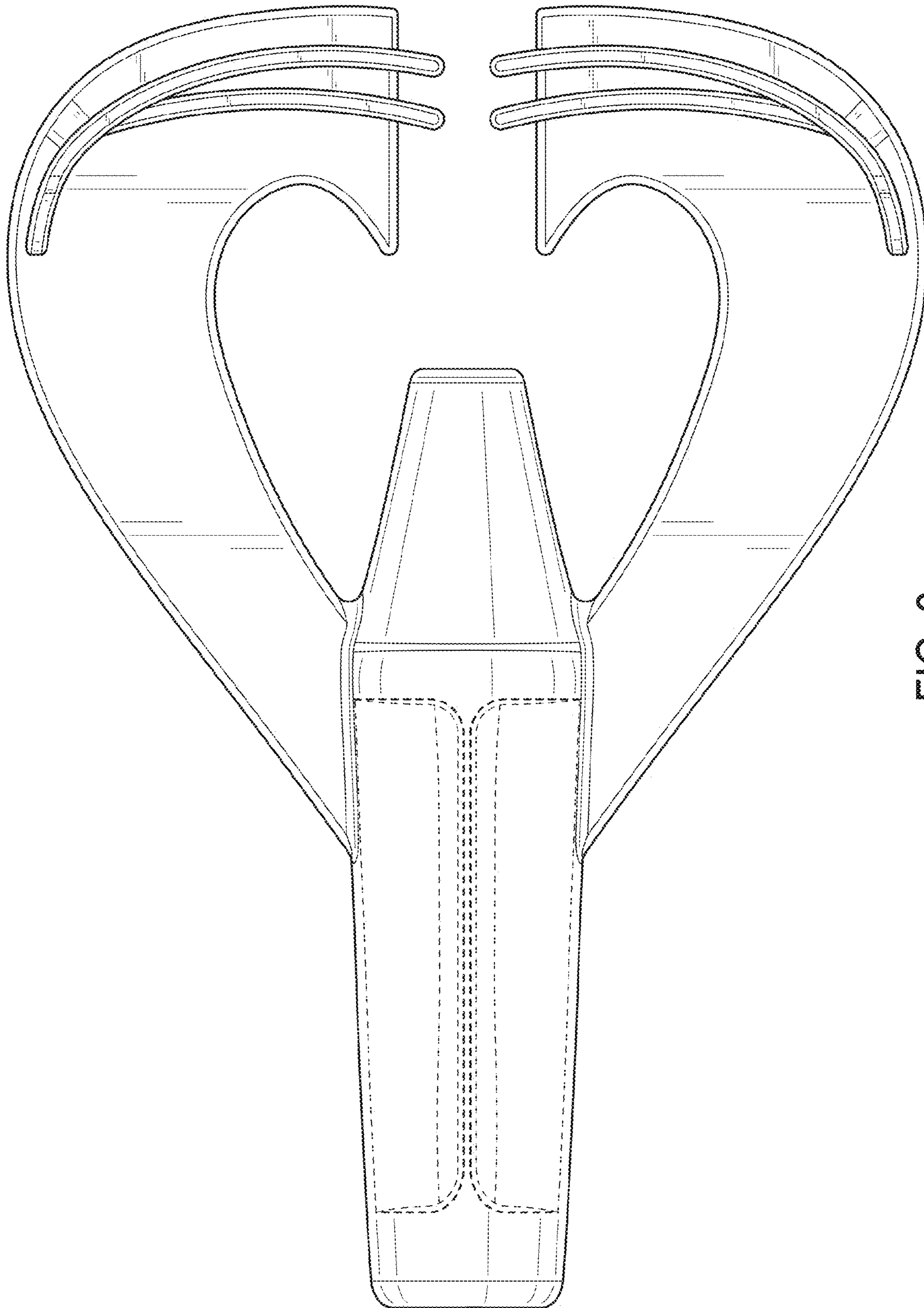


FIG. 3

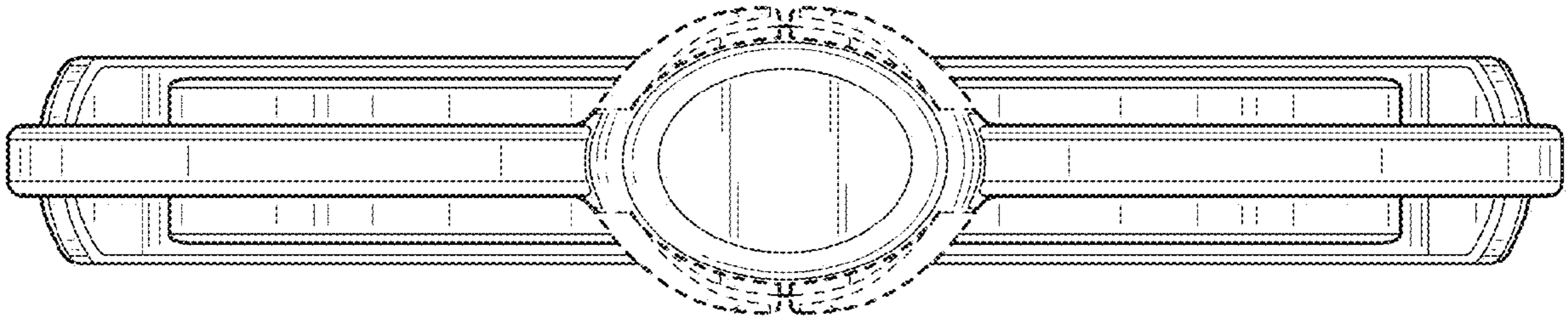


FIG. 5

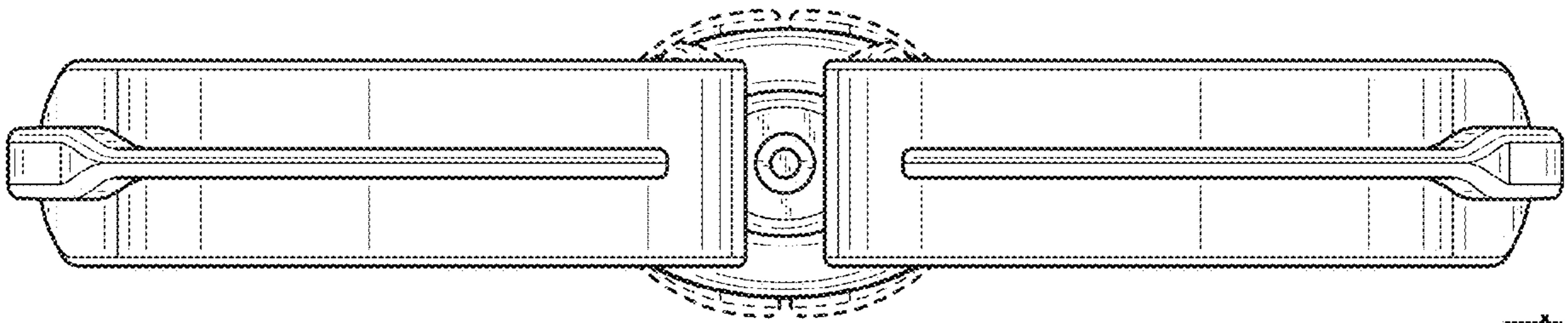


FIG. 4

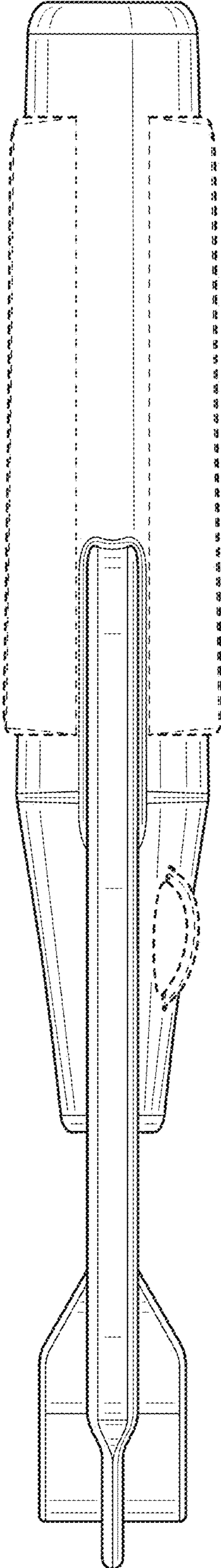


FIG. 6

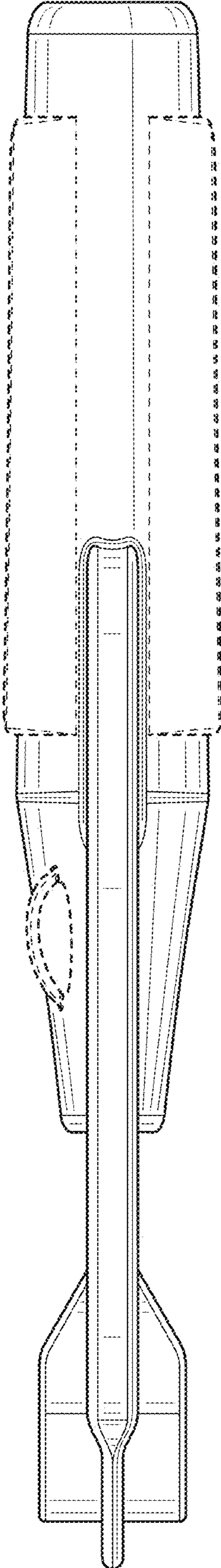


FIG. 7