



US00D961720S

(12) **United States Design Patent** (10) **Patent No.:** **US D961,720 S**
Tucker (45) **Date of Patent:** **** Aug. 23, 2022**

(54) **ARTIFICIAL TOAD PLASTIC BAIT**
(71) Applicant: **Googan Baits, LLC**, Thayer, MO (US)
(72) Inventor: **Winston Tucker**, Thayer, MO (US)
(73) Assignee: **Googan Baits, LLC**, Thayer, MO (US)
(**) Term: **15 Years**

Primary Examiner — Catherine R Oliver-Garcia
(74) *Attorney, Agent, or Firm* — Crowe & Dunlevy, P.C.

(21) Appl. No.: **29/753,418**
(22) Filed: **Sep. 30, 2020**
(51) **LOC (13) Cl.** **22-05**
(52) **U.S. Cl.**
USPC **D22/132**
(58) **Field of Classification Search**
USPC D22/126–127, 129, 131, 132
CPC A01K 85/00; A01K 85/01; A01K 85/02;
A01K 85/16; A01K 85/18; A01K 87/00
See application file for complete search history.

(57) **CLAIM**

The ornamental design for an artificial toad plastic bait, as shown and described.

DESCRIPTION

FIG. 1 is a perspective view of an artificial toad plastic bait showing the design;
FIG. 2 is a top plan view of the artificial toad plastic bait shown in FIG. 1;
FIG. 3 is a bottom plan view of the artificial toad plastic bait shown in FIG. 1;
FIG. 4 is a rear elevation view of the artificial toad plastic bait shown in FIG. 1;
FIG. 5 is a front elevation view of the artificial toad plastic bait shown in FIG. 1;
FIG. 6 is a first side elevation view of the artificial toad plastic bait shown in FIG. 1; and,
FIG. 7 is a second side elevation view of the artificial toad plastic bait shown in FIG. 1.
The broken lines shown in the figures represent portions of the artificial toad plastic bait that form no part of the claimed design.

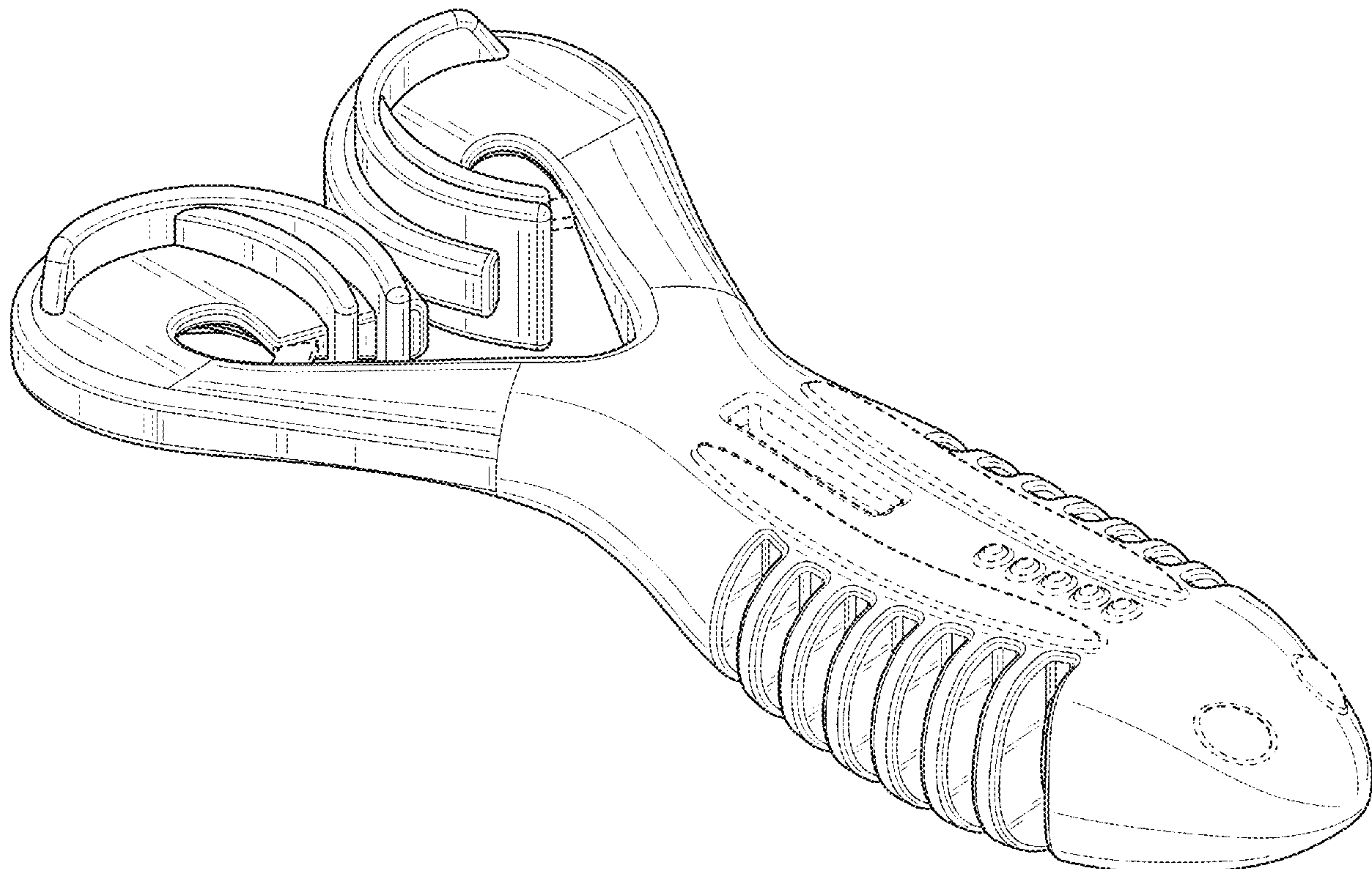
(56) **References Cited**

U.S. PATENT DOCUMENTS

D241,346 S *	9/1976	Carver	D22/126
4,709,501 A *	12/1987	Garst	A01K 85/00 43/42.3
D474,830 S *	5/2003	Littleton	D22/126
D671,615 S *	11/2012	Moore	D22/127
D674,460 S *	1/2013	Lamb	D22/127
D745,109 S *	12/2015	Pease	D22/127

* cited by examiner

1 Claim, 6 Drawing Sheets



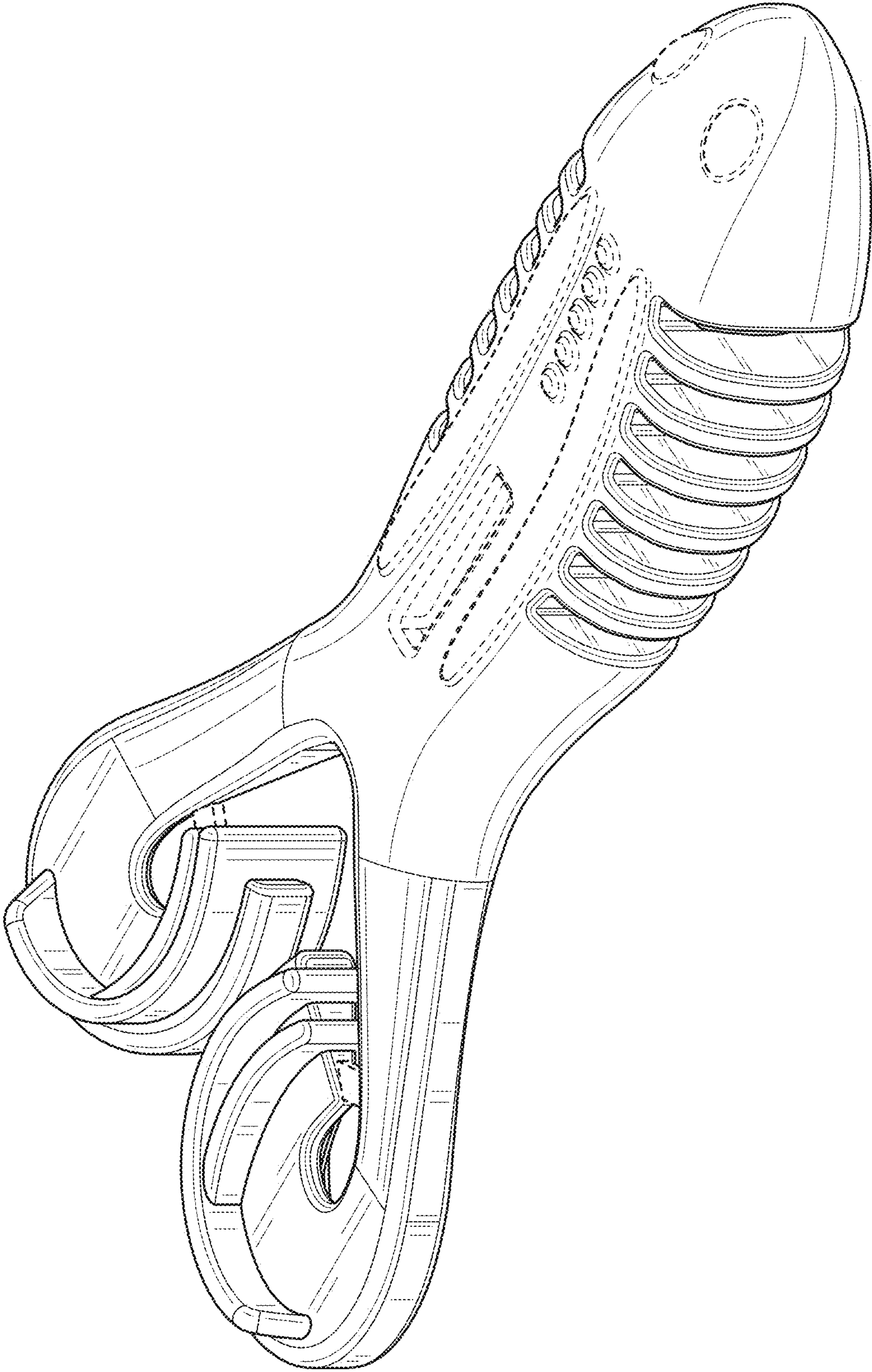


FIG. 1

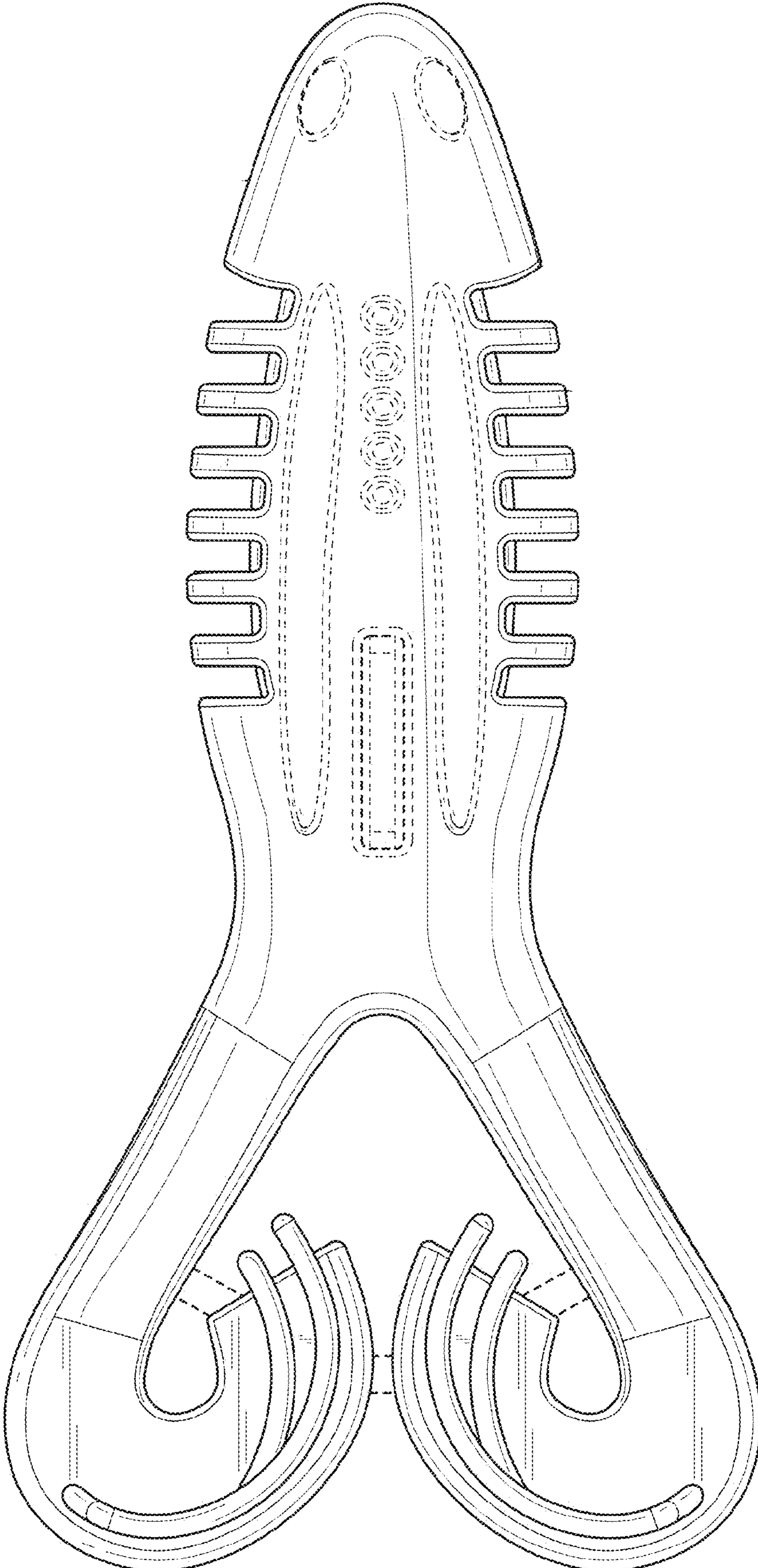


FIG. 2

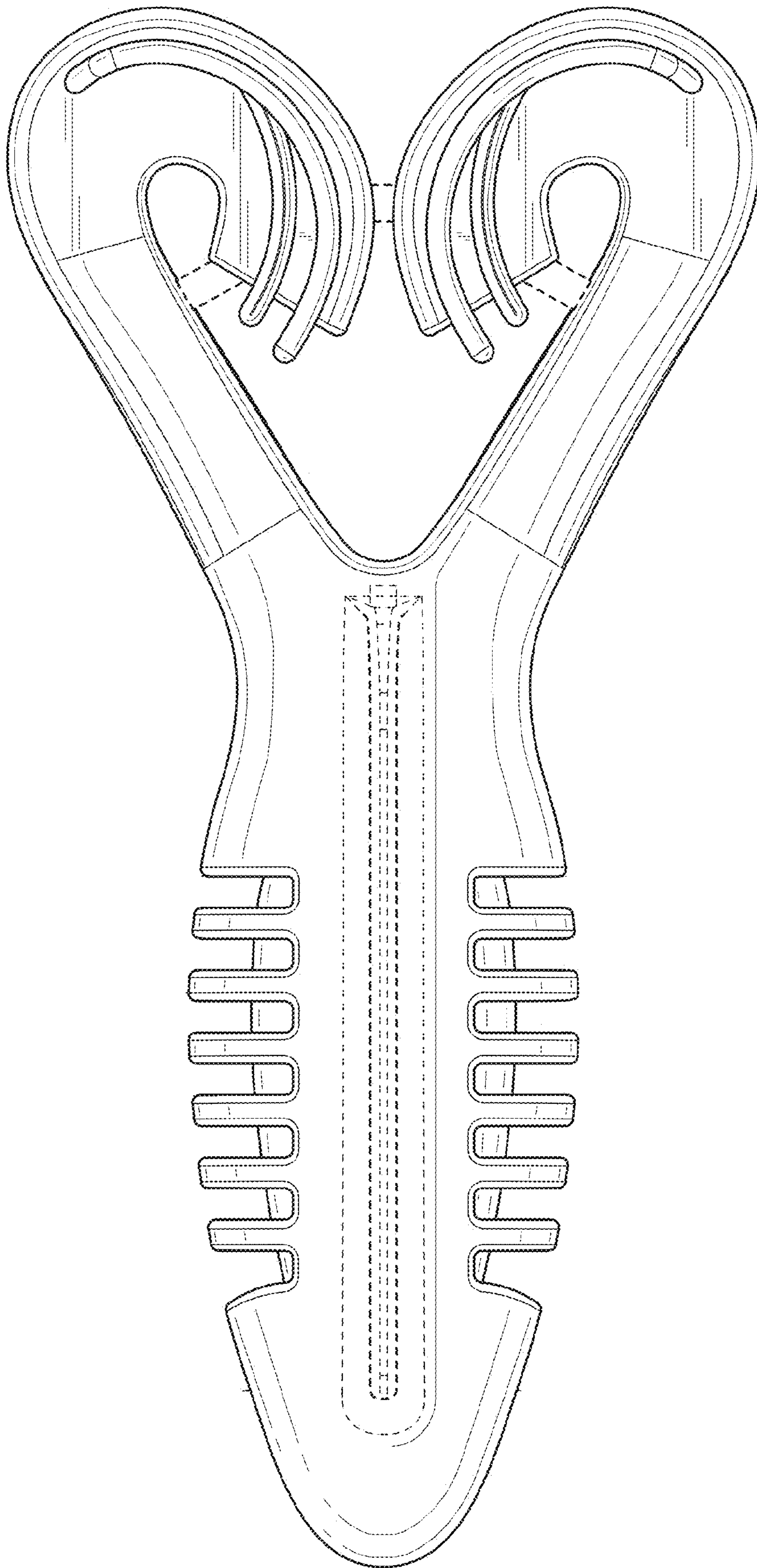


FIG. 3

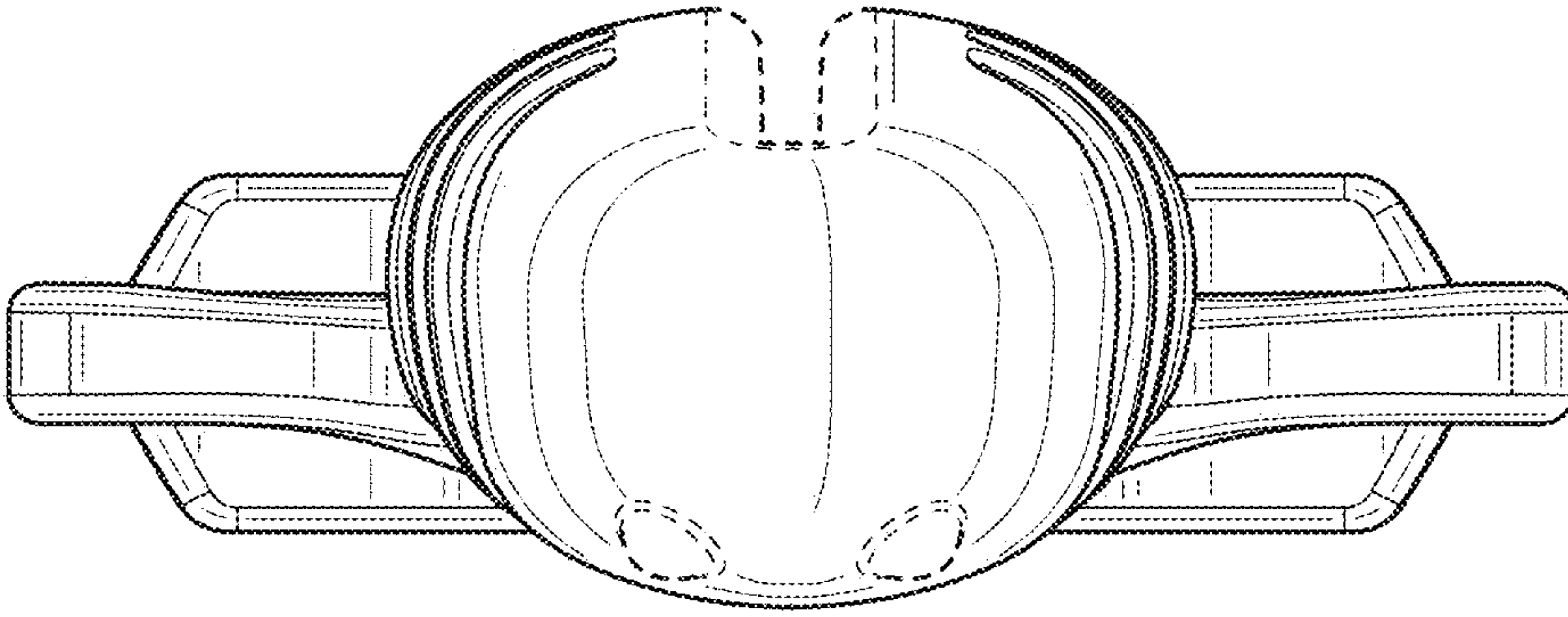


FIG. 5

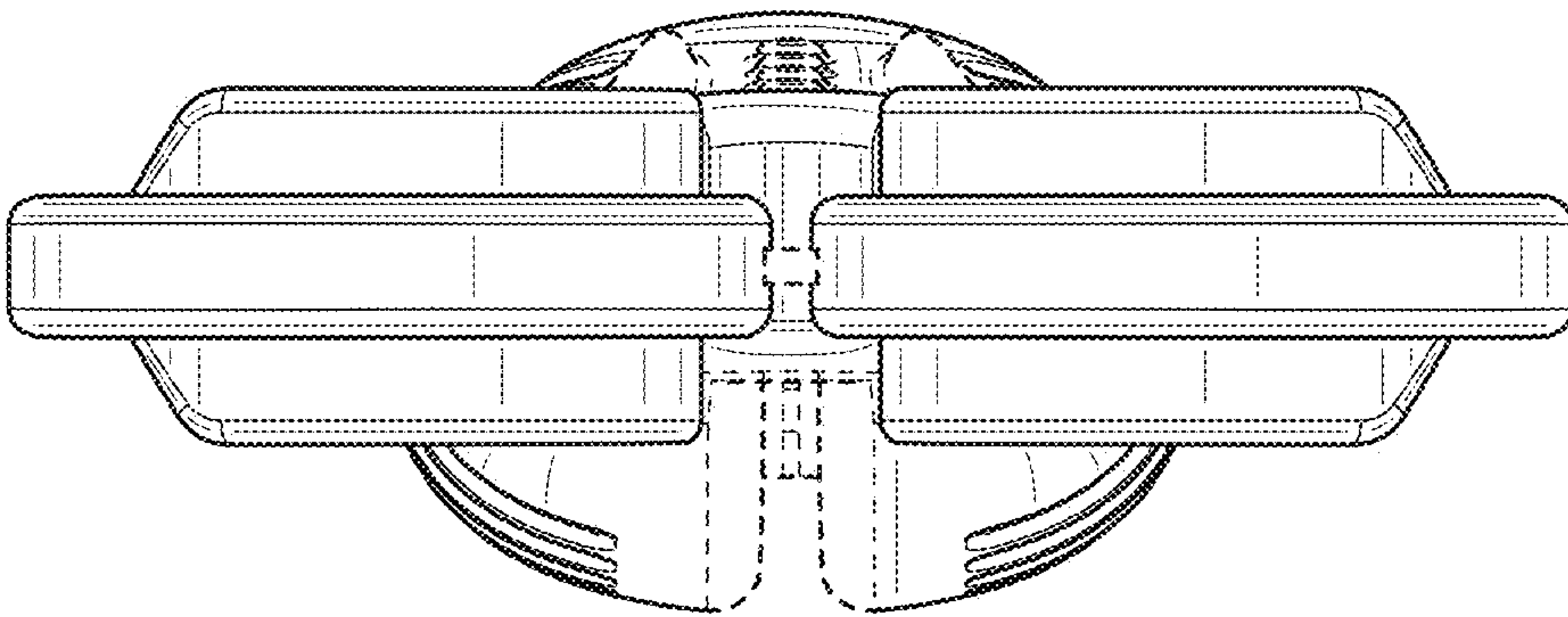


FIG. 4

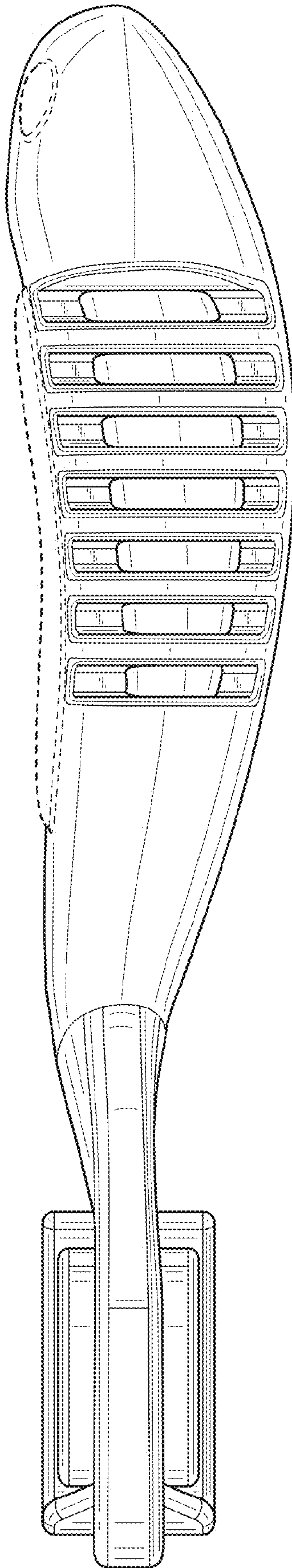


FIG. 6

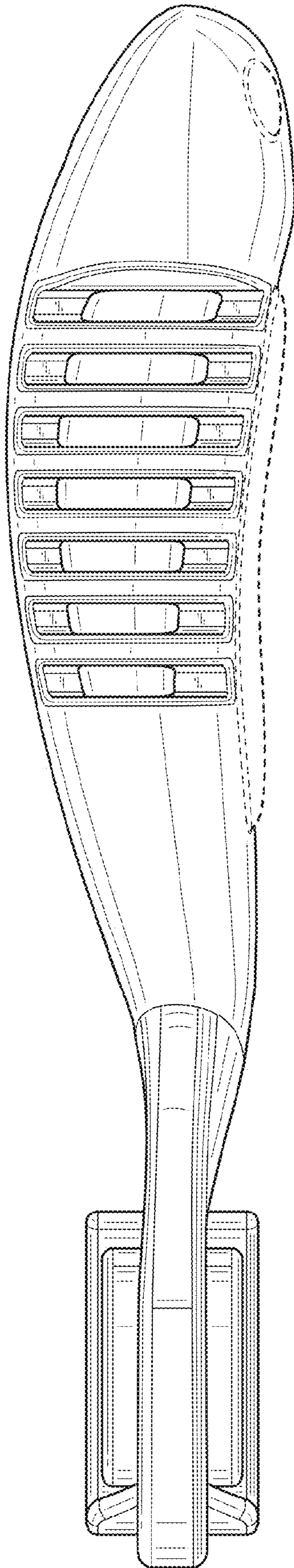


FIG. 7