



US00D961719S

(12) **United States Design Patent**  
**Yoon et al.**

(10) **Patent No.:** **US D961,719 S**  
(45) **Date of Patent:** **\*\* Aug. 23, 2022**

(54) **FLY SWATTER**

(71) Applicants: **Kichang Yoon**, Geneva, IL (US);  
**Kathy Buckley**, Cicero, IL (US)

(72) Inventors: **Kichang Yoon**, Geneva, IL (US);  
**Kathy Buckley**, Cicero, IL (US)

(\*\*) Term: **15 Years**

(21) Appl. No.: **29/825,853**

(22) Filed: **Feb. 6, 2022**

(51) **LOC (13) Cl.** ..... **22-06**

(52) **U.S. Cl.**  
USPC ..... **D22/124**

(58) **Field of Classification Search**  
USPC ..... D22/124, 119, 123; D21/725, 729, 731;  
D3/1-3; D7/653-654  
CPC ..... A01M 3/00; A01M 29/00; A01M 29/34;  
A63B 49/00; A63B 60/10; A63B 59/80;  
A63B 60/16; A63B 60/08  
See application file for complete search history.

(56) **References Cited**

**U.S. PATENT DOCUMENTS**

6,055,767	A *	5/2000	Carter	.....	A01M 3/022	43/137
D516,159	S *	2/2006	Himberger	.....	D22/124	
D532,480	S *	11/2006	Garcia	.....	D22/124	
D823,982	S *	7/2018	Amash	.....	D22/124	
D923,743	S *	6/2021	Freeland	.....	D22/124	
D929,692	S *	8/2021	Schierbaum	.....	D32/35	

D946,691	S *	3/2022	Dai	.....	D22/124	
D949,282	S *	4/2022	Winston	.....	D22/124	
2014/0165454	A1 *	6/2014	Gordon, IV	.....	A01M 3/025	43/137

**OTHER PUBLICATIONS**

<https://www.homedepot.com/p/Weber-Precision-Grill-Spatula-6769/317178714> (Year: 2022).\*  
[https://www.amazon.com/Matfer-Bourgeat-Exoglass-Pelton-Spatula/dp/B0000VZCF2/ref=sr\\_1\\_5\\_mod\\_primary\\_new?crid=1ZF36ZJ21F70S&keywords=matfer+bourgeat+exoglass+pelton+spatula&qid=1655844171&sbo=RZvfv%2F%2FHxDF%2BO5021pAnSA%3D%3D&srefix=matfe%2Caps%2C74&sr=8-5](https://www.amazon.com/Matfer-Bourgeat-Exoglass-Pelton-Spatula/dp/B0000VZCF2/ref=sr_1_5_mod_primary_new?crid=1ZF36ZJ21F70S&keywords=matfer+bourgeat+exoglass+pelton+spatula&qid=1655844171&sbo=RZvfv%2F%2FHxDF%2BO5021pAnSA%3D%3D&srefix=matfe%2Caps%2C74&sr=8-5) (Year: 2013).\*

\* cited by examiner

*Primary Examiner* — Catherine R Oliver-Garcia  
(74) *Attorney, Agent, or Firm* — Steven Ivy P.C.

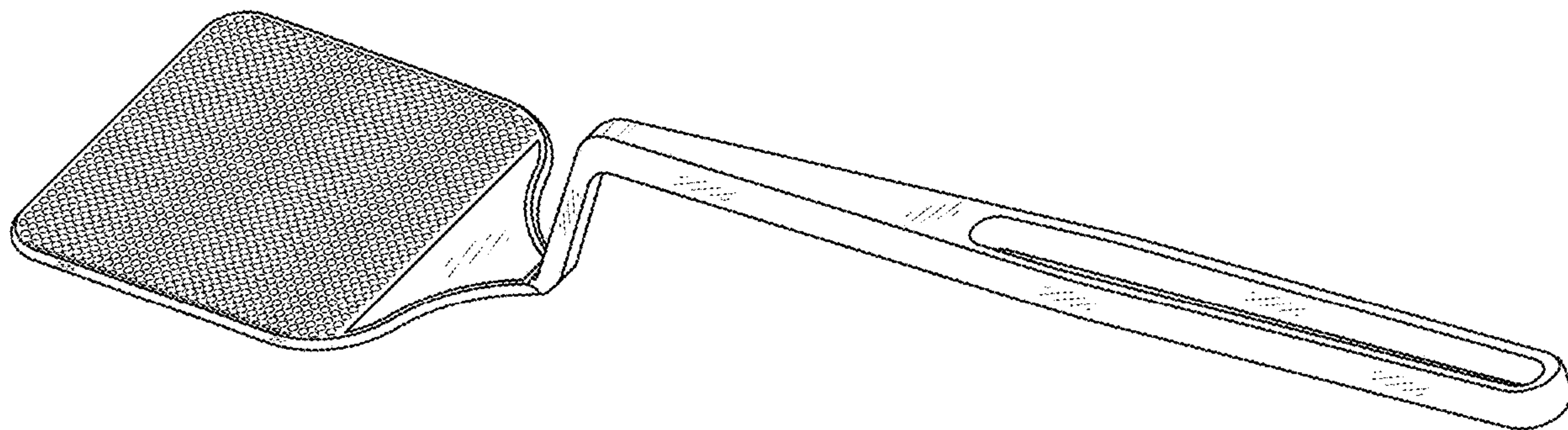
(57) **CLAIM**

The ornamental design for a fly swatter, as shown and described.

**DESCRIPTION**

FIG. 1 is rear, right, and top perspective view of the fly swatter, showing my new design;  
FIG. 2 is a right view thereof;  
FIG. 3 is a left view thereof;  
FIG. 4 is a front view thereof;  
FIG. 5 is a rear view thereof;  
FIG. 6 is a top view thereof; and,  
FIG. 7 is a bottom view thereof.

**1 Claim, 7 Drawing Sheets**



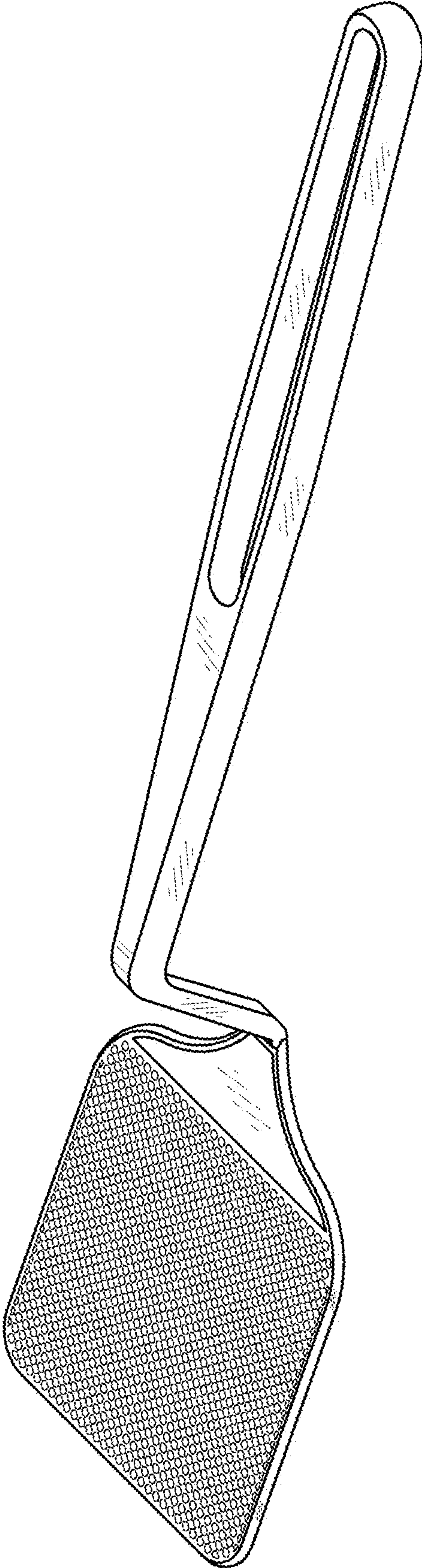


FIG. 1

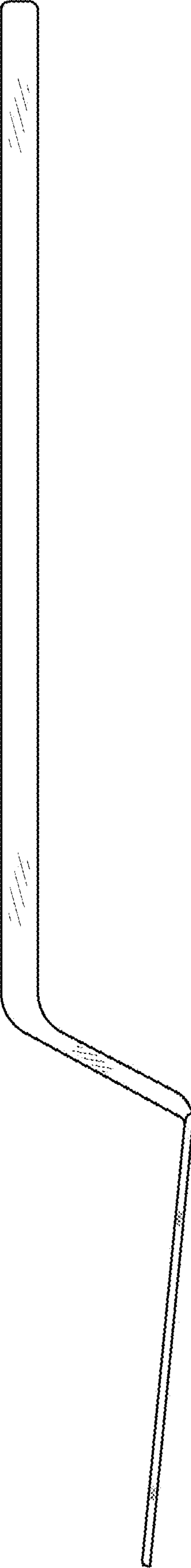


FIG. 2

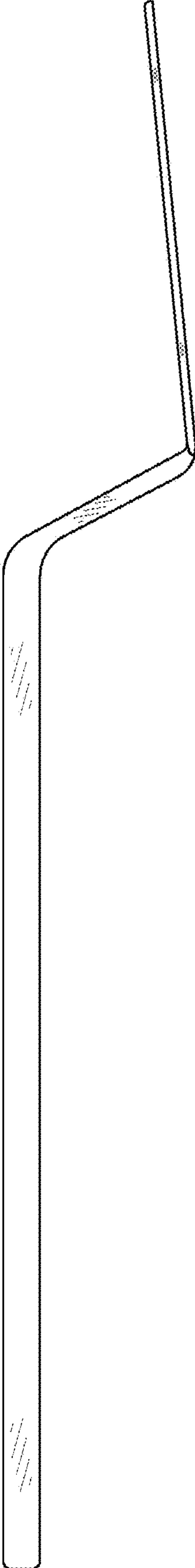


FIG. 3

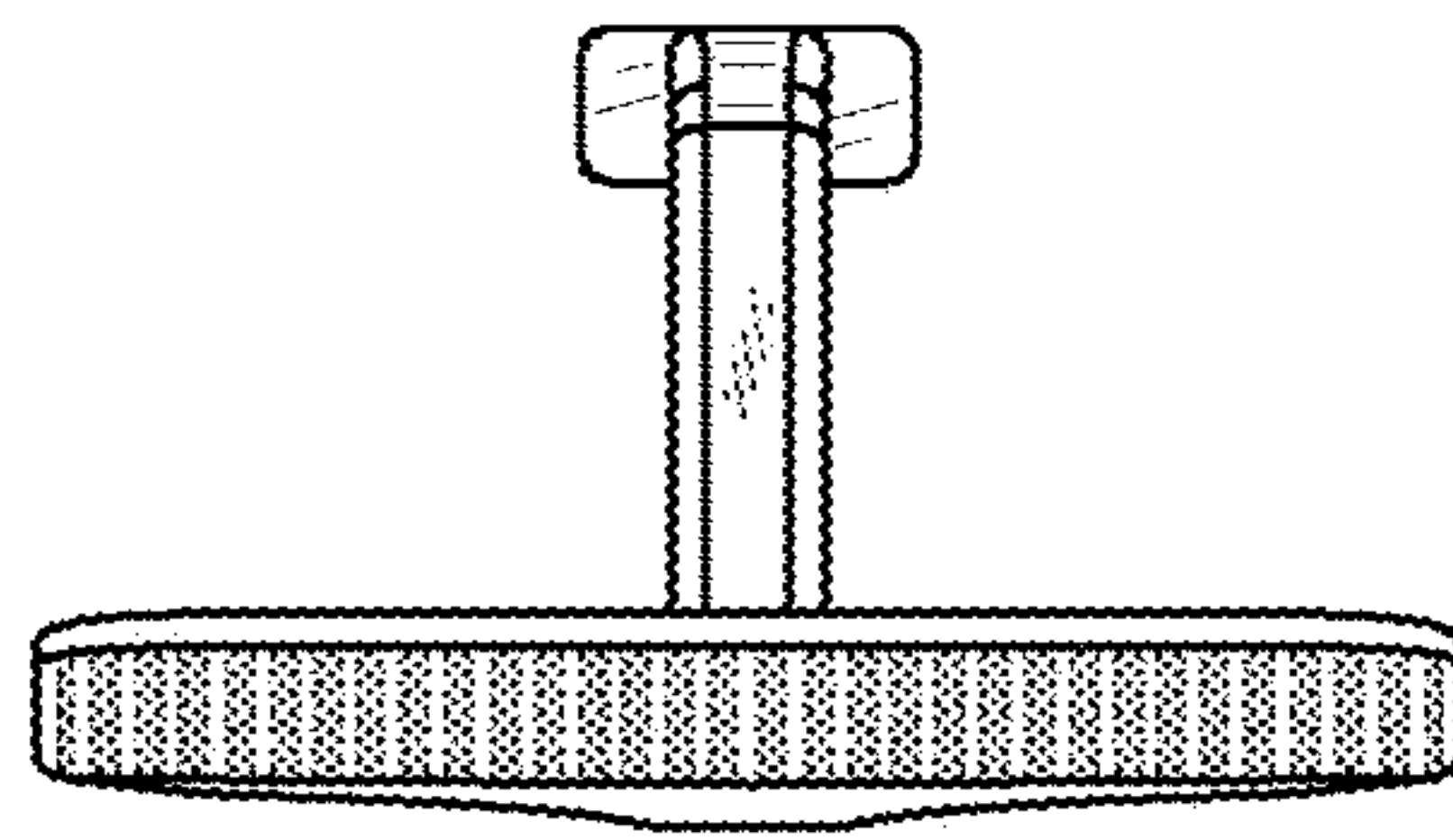


FIG. 4

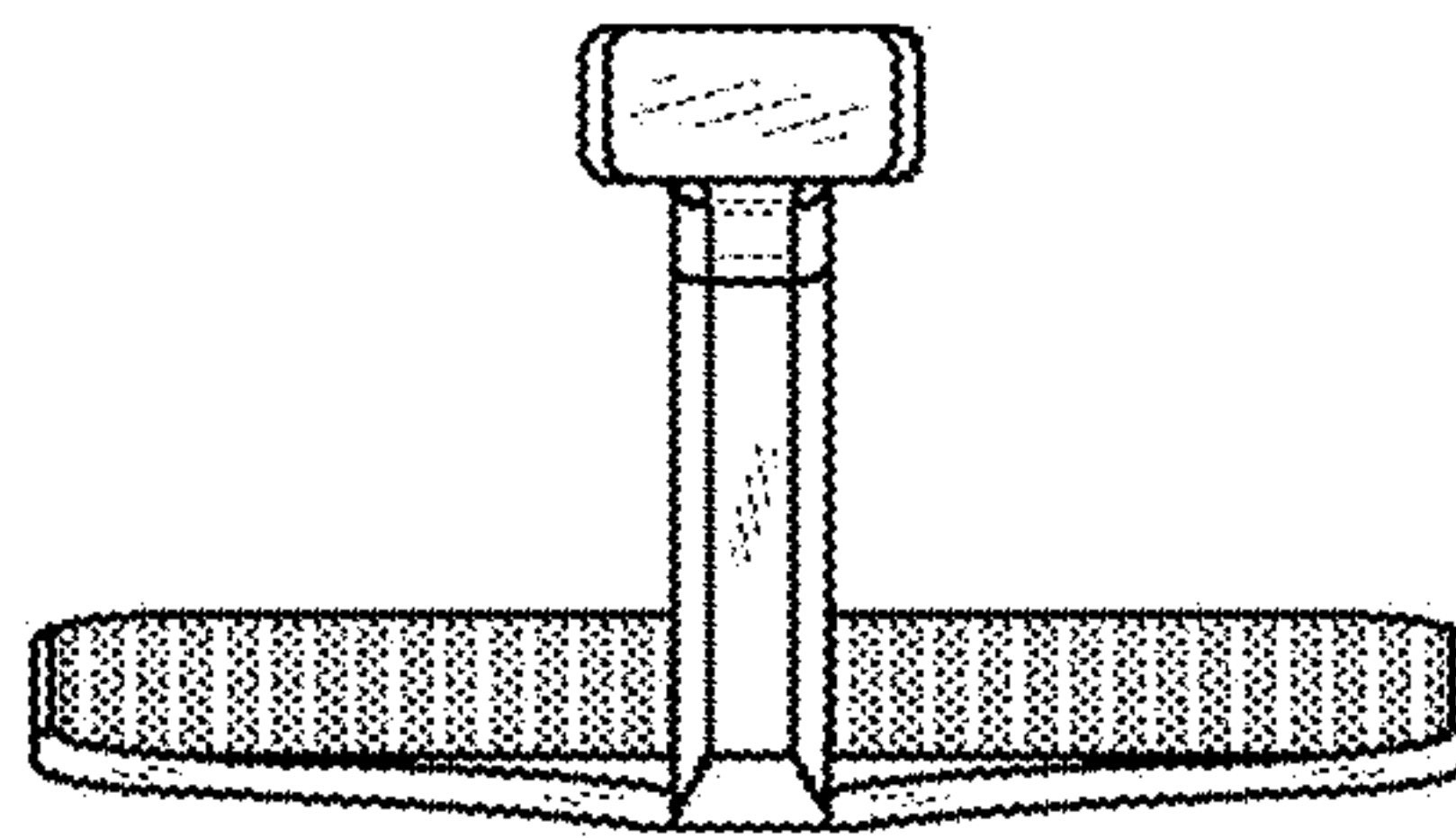


FIG. 5



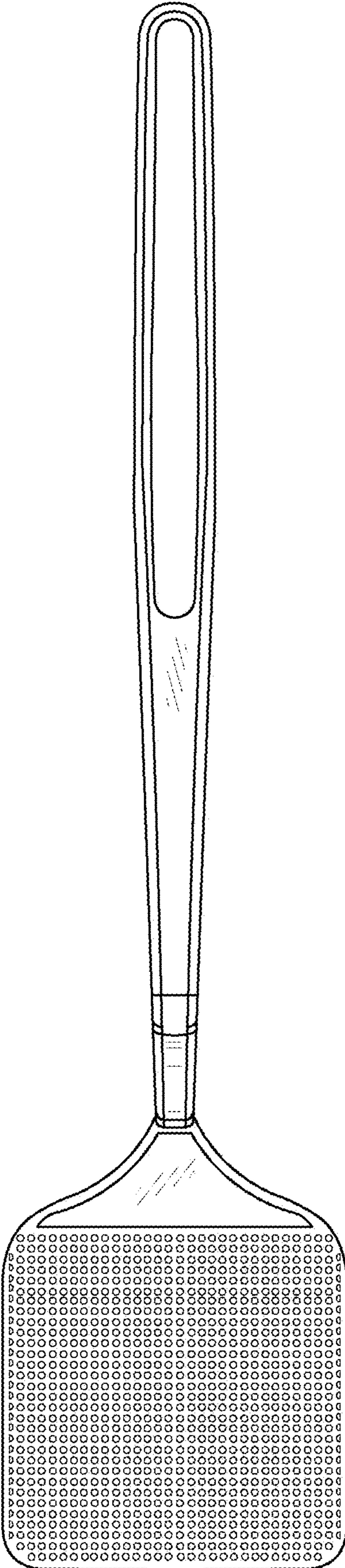


FIG. 6

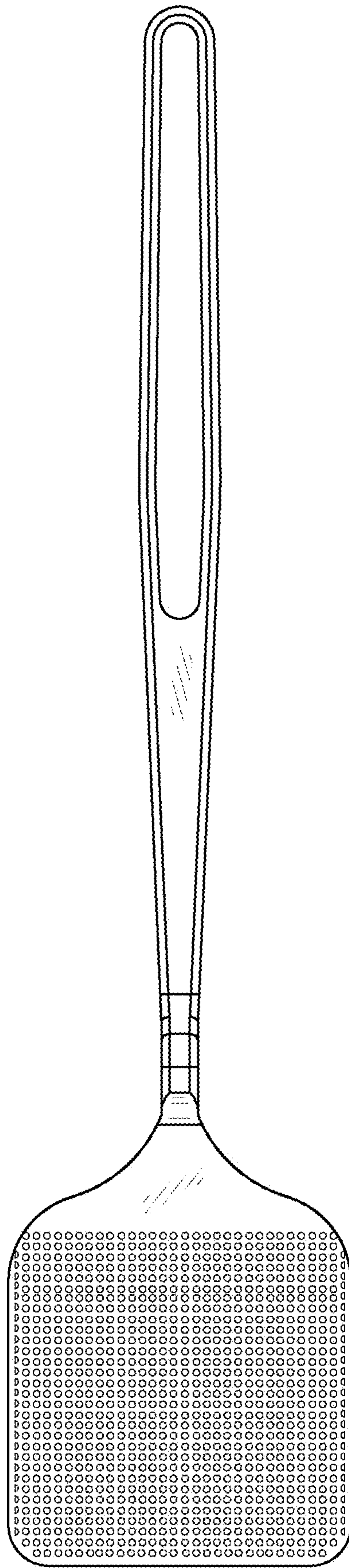


FIG. 7