



US00D961718S

(12) **United States Design Patent** (10) **Patent No.:** **US D961,718 S**
Su et al. (45) **Date of Patent:** **** Aug. 23, 2022**

(54) **MOSQUITO KILLER LAMP**

(71) Applicant: **Foshan YIGE Technology CO., LTD.**,
Foshan (CN)

(72) Inventors: **Zhanhao Su**, Foshan (CN); **Hua Cheng**, Foshan (CN); **Huahui Zhu**,
Foshan (CN)

(73) Assignee: **FVOAI INC**

(**) Term: **15 Years**

(21) Appl. No.: **29/737,067**

(22) Filed: **Jun. 5, 2020**

(51) **LOC (13) Cl.** **22-06**

(52) **U.S. Cl.**
USPC **D22/123**

(58) **Field of Classification Search**
USPC D22/123, 122; D26/37-38, 40, 42, 44,
D26/49-51

CPC A01M 1/02; A01M 1/04; A01M 1/22;
A01M 1/2005; A01M 1/223; F21L 4/00;
F21L 4/02; F21L 4/025; F21L 4/027;
F21L 4/04; F21L 4/08; F21L 7/00; F21L
11/00; F21L 13/00; F21L 13/04; F21L
13/08; F21L 14/02; F21L 17/00; F21L
19/00; F21L 2003/00; F21L 2005/00

See application file for complete search history.

(56) **References Cited**

U.S. PATENT DOCUMENTS

D917,754 S * 4/2021 Dean D26/44
D935,549 S * 11/2021 Zhu D26/40

FOREIGN PATENT DOCUMENTS

DE 19643852 * 5/1997 A01M 1/06

OTHER PUBLICATIONS

[https://www.google.com/shopping/product/14226578337254969616?
q=mosquito+killer+lamps&prds=epd:9166111629649694463,](https://www.google.com/shopping/product/14226578337254969616?q=mosquito+killer+lamps&prds=epd:9166111629649694463)

prmr:3,eto:9166111629649694463_1,rto: 1,tpim:COW954eVvsAv
EKqtovHSqJv1Rhiw08EJIgNVU0Qo8N68jwYwjroOg&utm_
medium=tu_prop&utm_content=eid-lsjeuxoeqt&utm_campaign=
123346190 (Year: 2021).*
[https://mdmaxx.com/products/inbody-bpbio320s-bpbio-320s-blood-
pressure-monitor?currency=USD&variant=39879176093887&utm_
medium=cpc&utm_source=google&utm_campaign=Google%
20Shopping&gclid=EAIaIQobChMI0OKpt-
6C9wlVmaXICH2ZygcZEAQYAiABEgl6cfD_BwE](https://mdmaxx.com/products/inbody-bpbio320s-bpbio-320s-blood-pressure-monitor?currency=USD&variant=39879176093887&utm_medium=cpc&utm_source=google&utm_campaign=Google%20Shopping&gclid=EAIaIQobChMI0OKpt-6C9wlVmaXICH2ZygcZEAQYAiABEgl6cfD_BwE) (Year: 2021).*
[https://www.amazon.com/Sutify-Mosquito-Killer-Bedroom-Office/
dp/B08721BSSH/ref=cm_cr_arp_d_pdt_img_top?ie=UTF8](https://www.amazon.com/Sutify-Mosquito-Killer-Bedroom-Office/dp/B08721BSSH/ref=cm_cr_arp_d_pdt_img_top?ie=UTF8) (Year:
2020).*
[https://www.amazon.com/FVOAI-Indoor-Catcher-Mosquito-Killer/
dp/B095YJMSH/ref=sr_1_5?crid=EGBWTV6LLX10&keywords=
fvoai%2Bfly%2Btrap%2Bindoor%2C%2Bfruit%2Bfly%2Bcatcher
&qid=1649453102&srefix=FVOAI%2Bfly%2Btrap%2Bindoor%
2C%2Caps%2C52&sr=8-5&th=1](https://www.amazon.com/FVOAI-Indoor-Catcher-Mosquito-Killer/dp/B095YJMSH/ref=sr_1_5?crid=EGBWTV6LLX10&keywords=fvoai%2Bfly%2Btrap%2Bindoor%2C%2Bfruit%2Bfly%2Bcatcher&qid=1649453102&srefix=FVOAI%2Bfly%2Btrap%2Bindoor%2C%2Caps%2C52&sr=8-5&th=1) (Year: 2021).*

* cited by examiner

Primary Examiner — Catherine R Oliver-Garcia
(74) *Attorney, Agent, or Firm* — ScienBiziP, P.C.

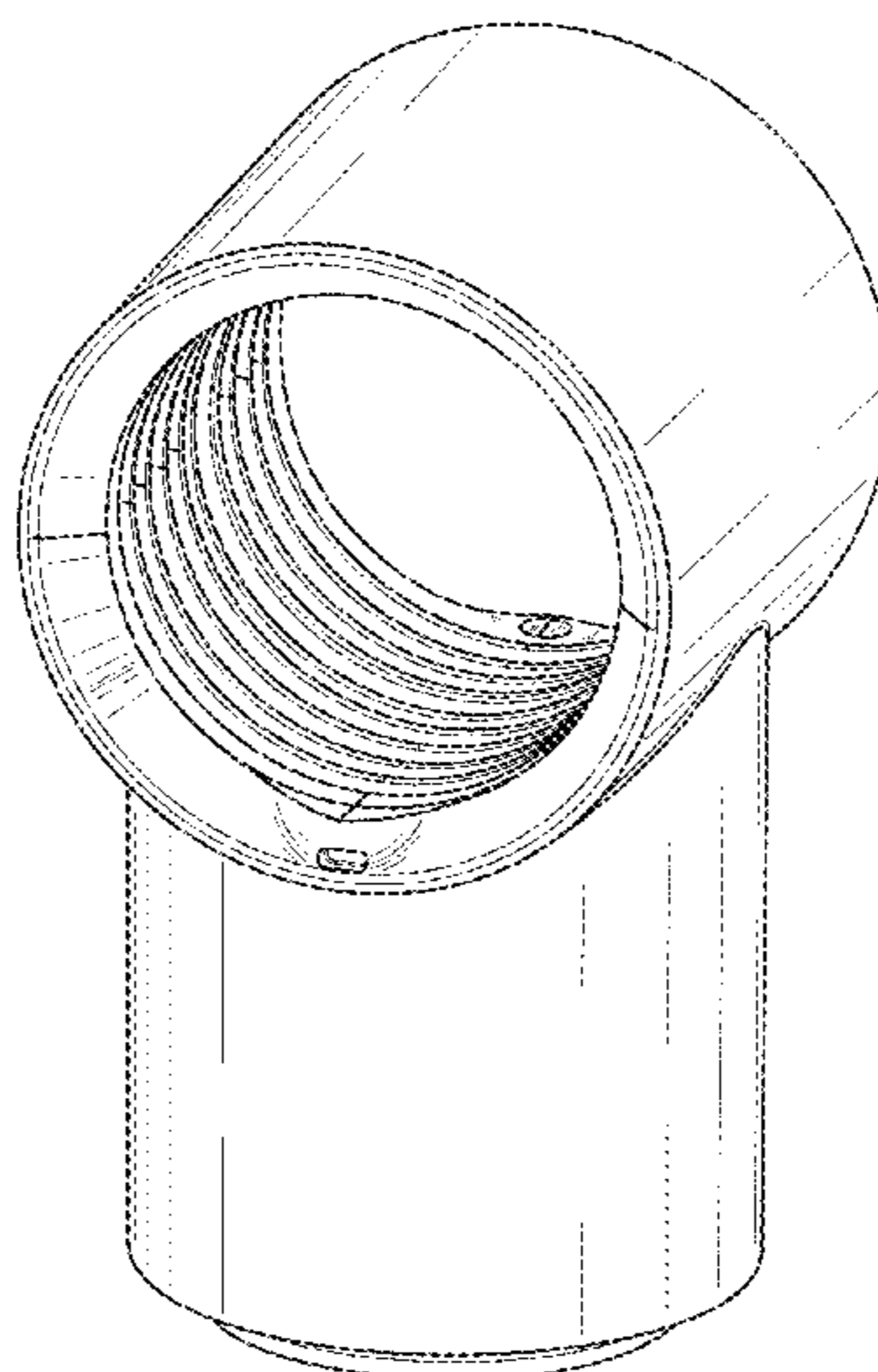
(57) **CLAIM**

The ornamental design for a mosquito killer lamp, as shown and described.

DESCRIPTION

FIG. 1 is a front, right and top perspective view of a mosquito killer lamp showing our new design;
FIG. 2 is a front view thereof;
FIG. 3 is a rear view thereof;
FIG. 4 is a left side view thereof;
FIG. 5 is a top view thereof;
FIG. 6 is a bottom view thereof; and,
FIG. 7 is a rear, left and bottom perspective view thereof.
A right side view is omitted since the right side view is identical to the left side view.

1 Claim, 7 Drawing Sheets



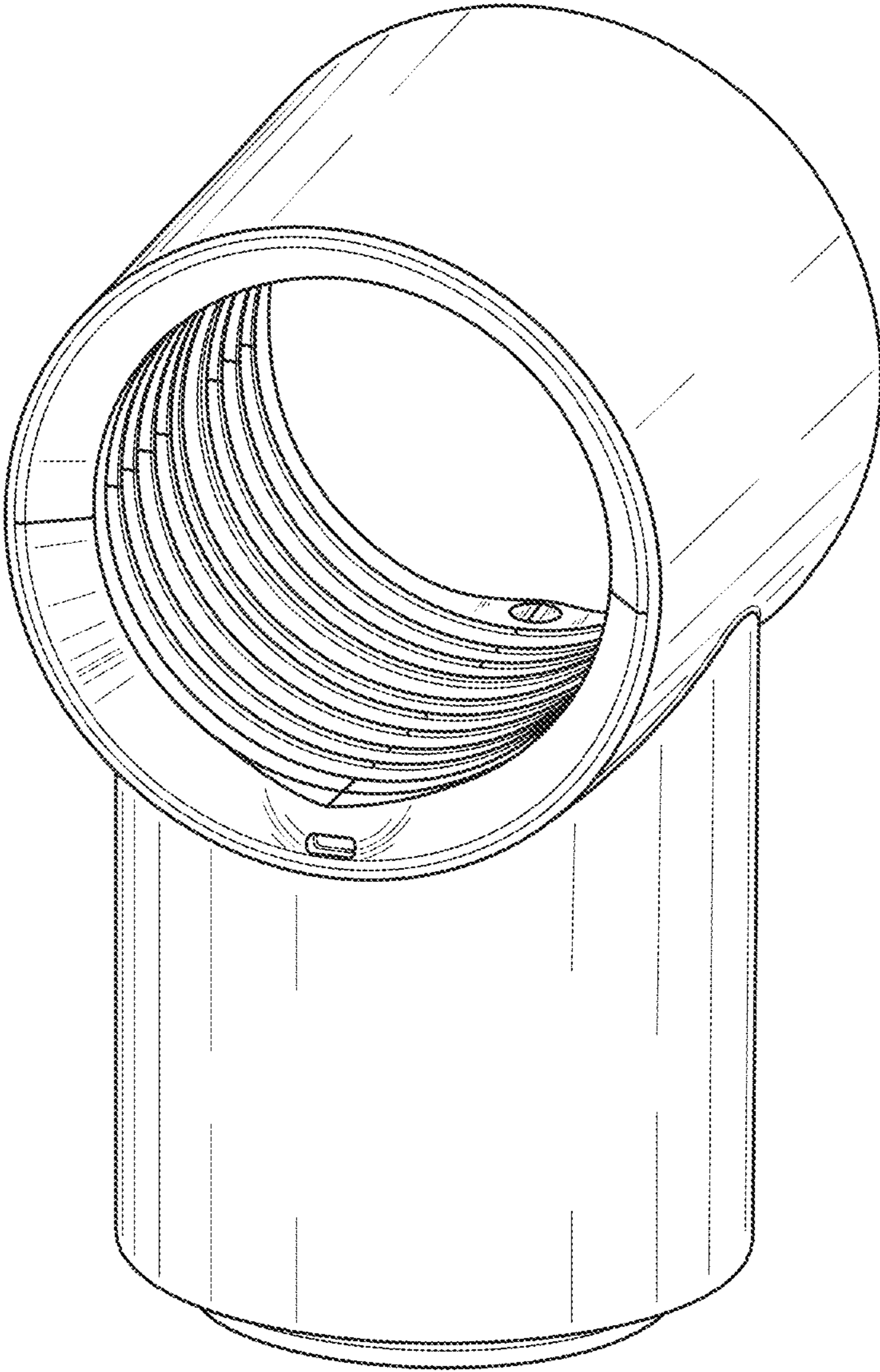


Fig. 1

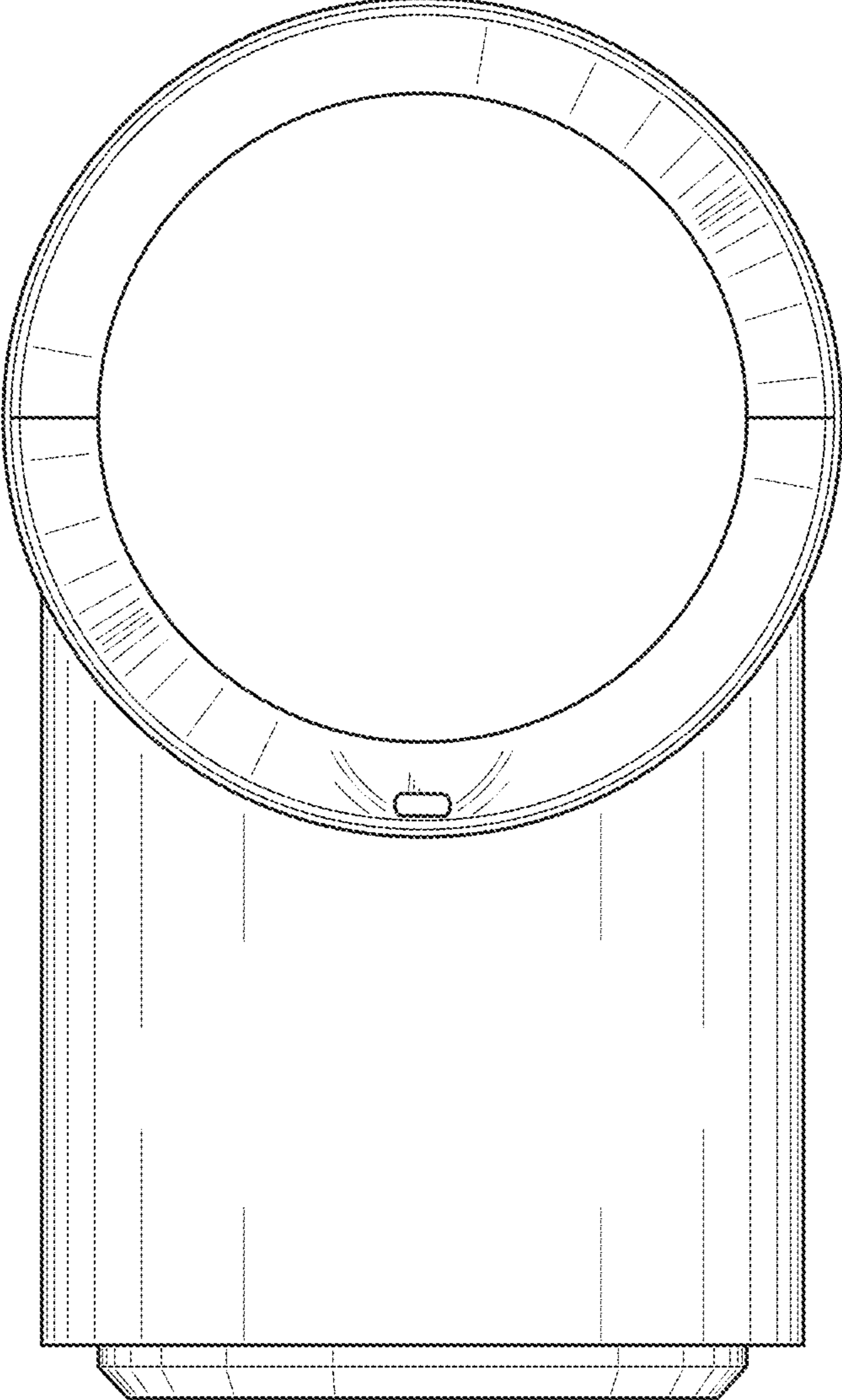


Fig. 2

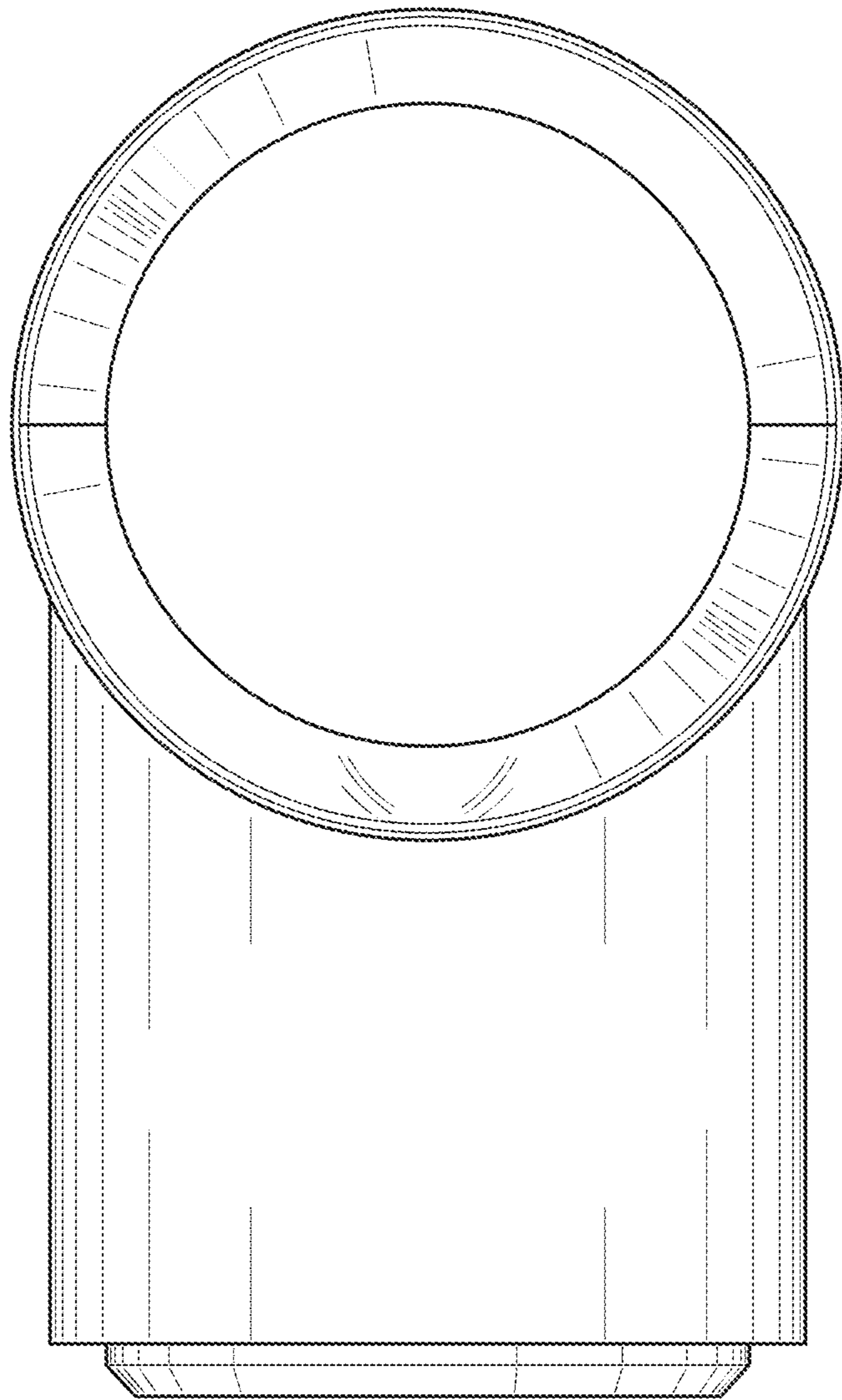


Fig. 3

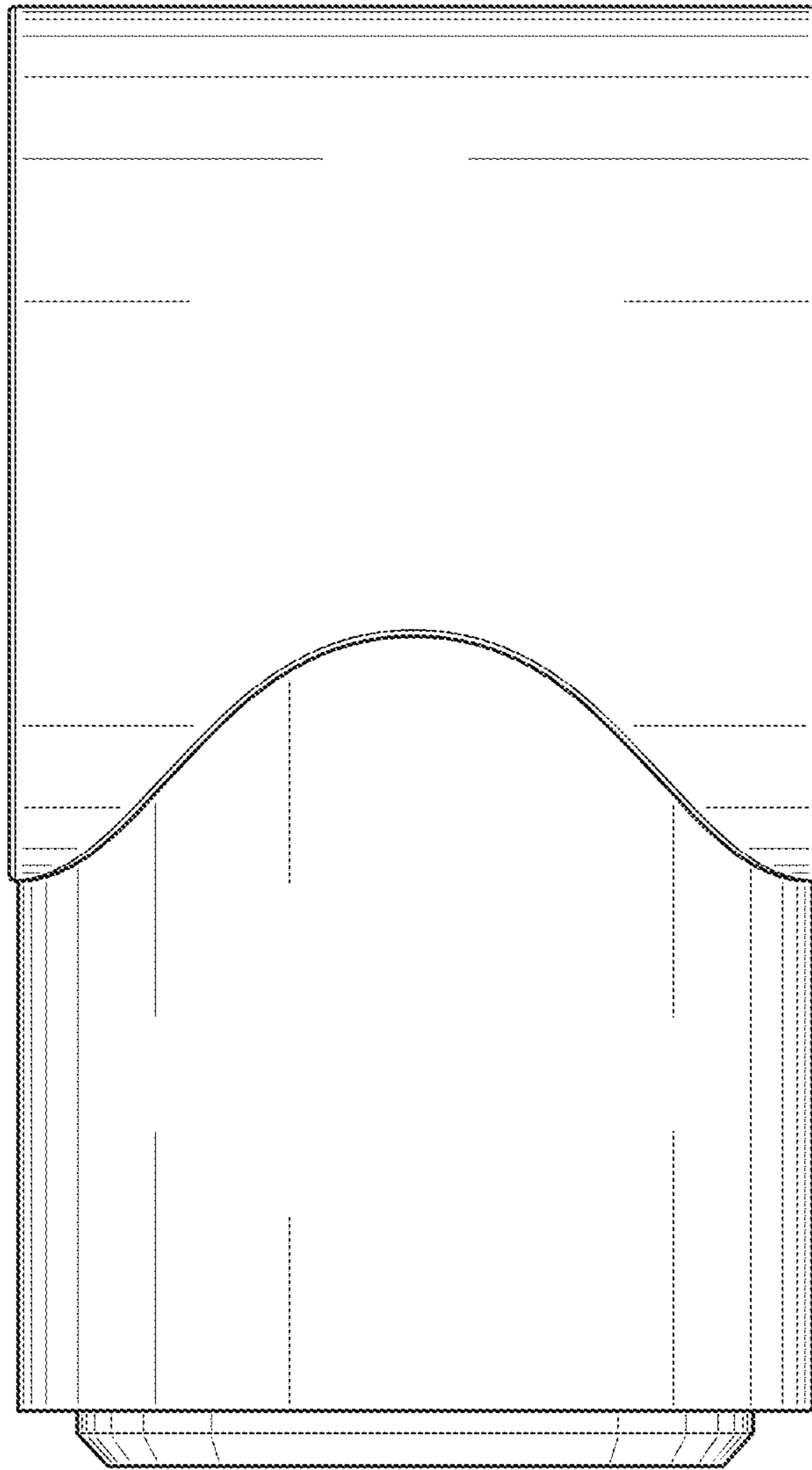


Fig. 4

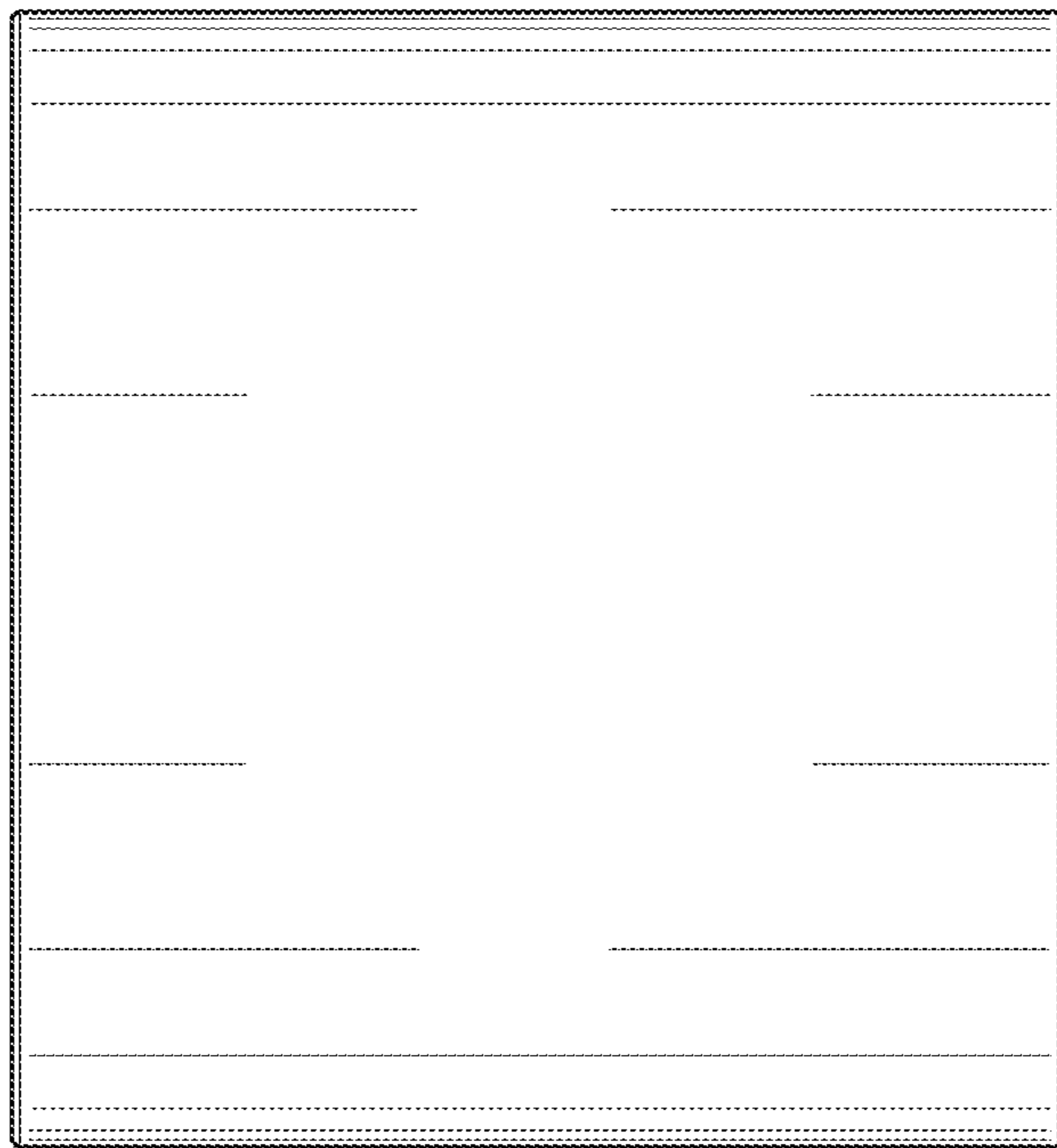


Fig. 5

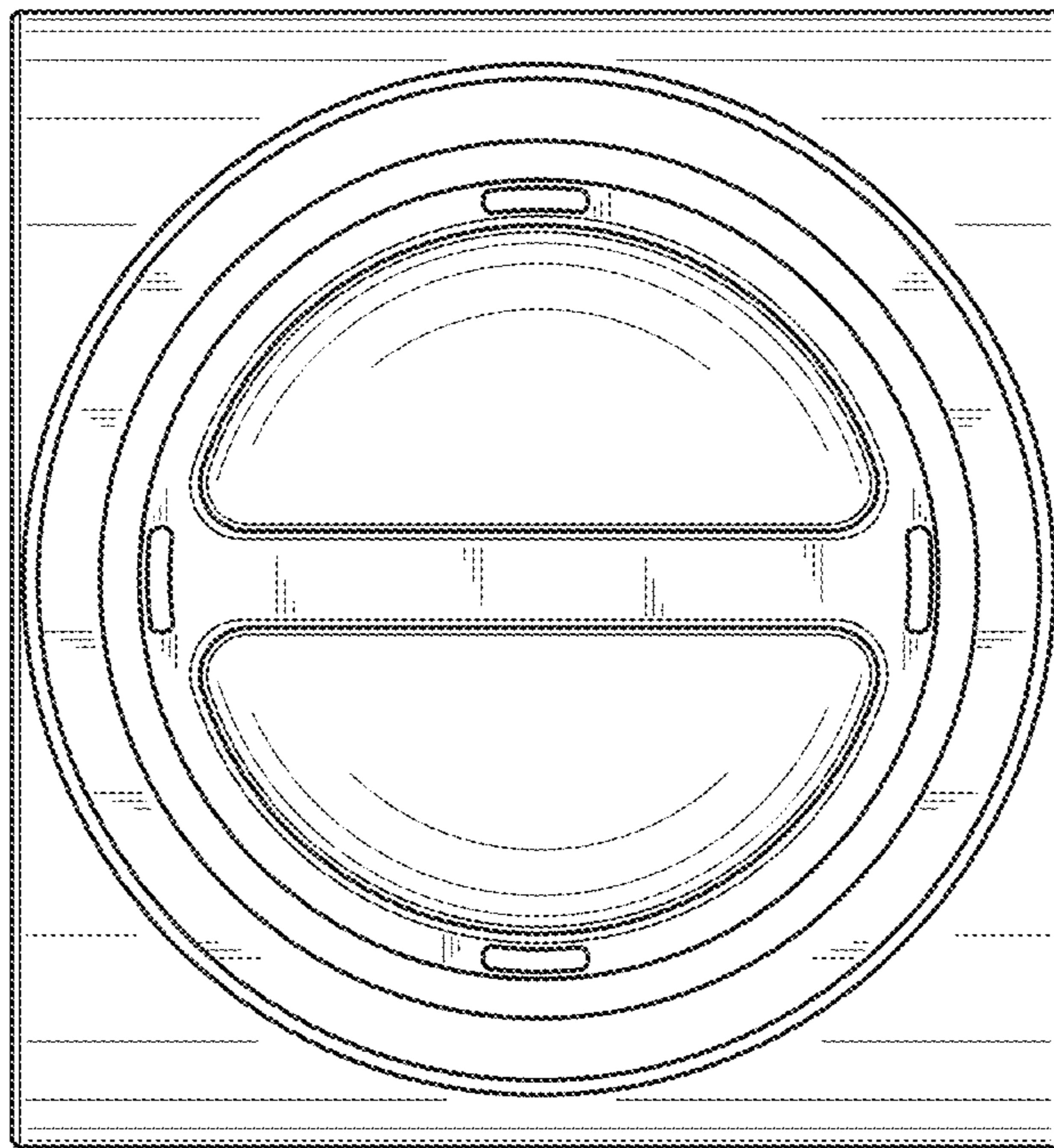


Fig. 6

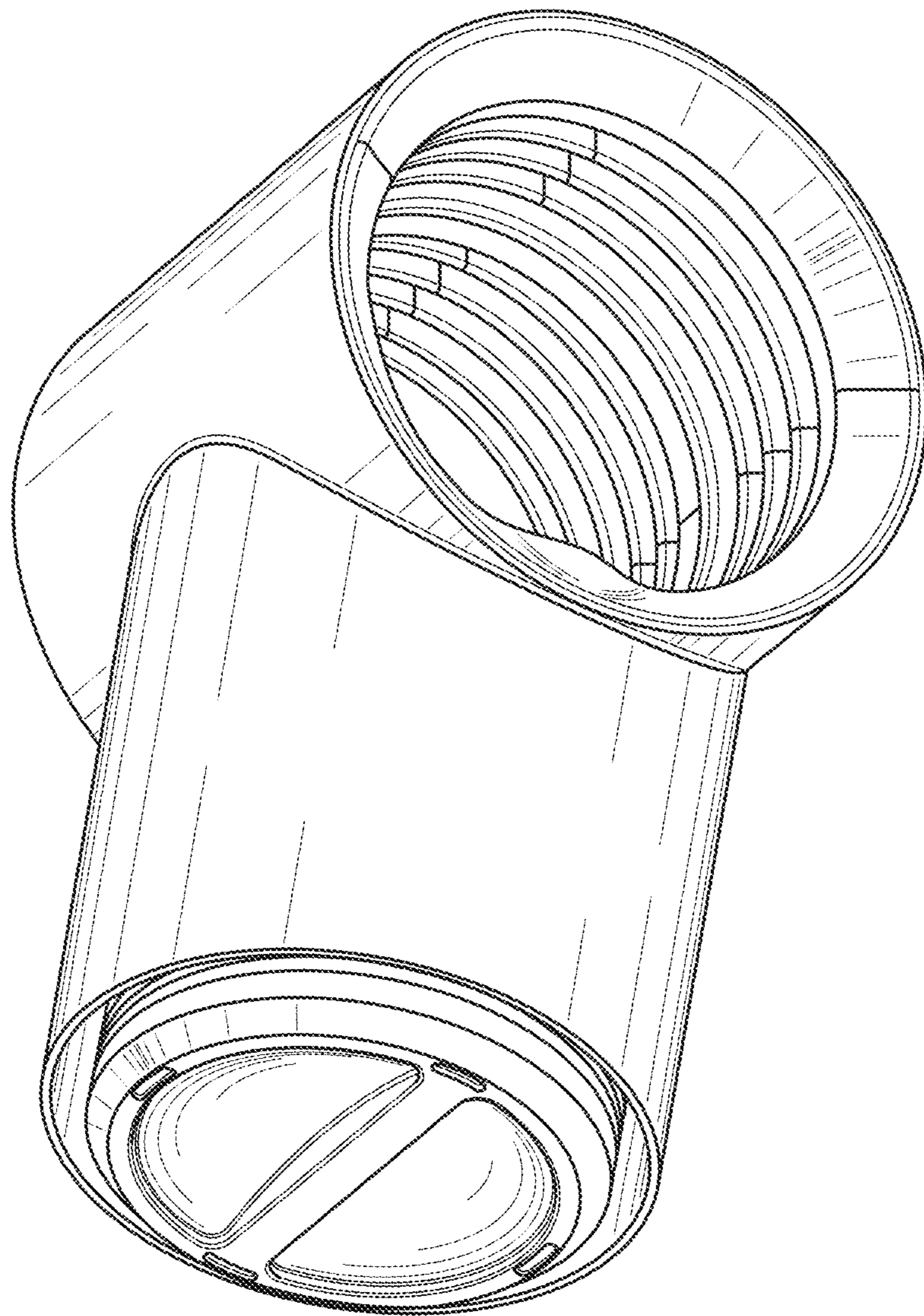


Fig. 7