



US00D961716S

(12) **United States Design Patent**  
**Luo**

(10) **Patent No.:** **US D961,716 S**

(45) **Date of Patent:** **\*\* Aug. 23, 2022**

(54) **MOUSE SNAP TRAP**

(71) Applicant: **Yuhua Luo**, Chenzhou (CN)

(72) Inventor: **Yuhua Luo**, Chenzhou (CN)

(\*\*) Term: **15 Years**

(21) Appl. No.: **29/776,390**

(22) Filed: **Mar. 30, 2021**

(51) **LOC (13) Cl.** ..... **22-06**

(52) **U.S. Cl.**  
USPC ..... **D22/119**

(58) **Field of Classification Search**  
USPC ..... D22/119  
CPC ..... A01M 1/14; A01M 23/00; A01M 23/30;  
A01M 23/36; A01M 23/005; A01M 23/26  
See application file for complete search history.

(56) **References Cited**

**U.S. PATENT DOCUMENTS**

D904,551 S \* 12/2020 Haney ..... D22/119  
D912,193 S \* 3/2021 Yang ..... D22/119  
D917,004 S \* 4/2021 Haney ..... D22/119

D921,828 S \* 6/2021 Haney ..... D22/119  
2010/0199544 A1 \* 8/2010 Frisch ..... A01M 23/30  
43/81  
2013/0263494 A1 \* 10/2013 Kay ..... A01M 23/00  
43/58

\* cited by examiner

*Primary Examiner* — Catherine R Oliver-Garcia  
(74) *Attorney, Agent, or Firm* — Rumi Ranjit Kanakia

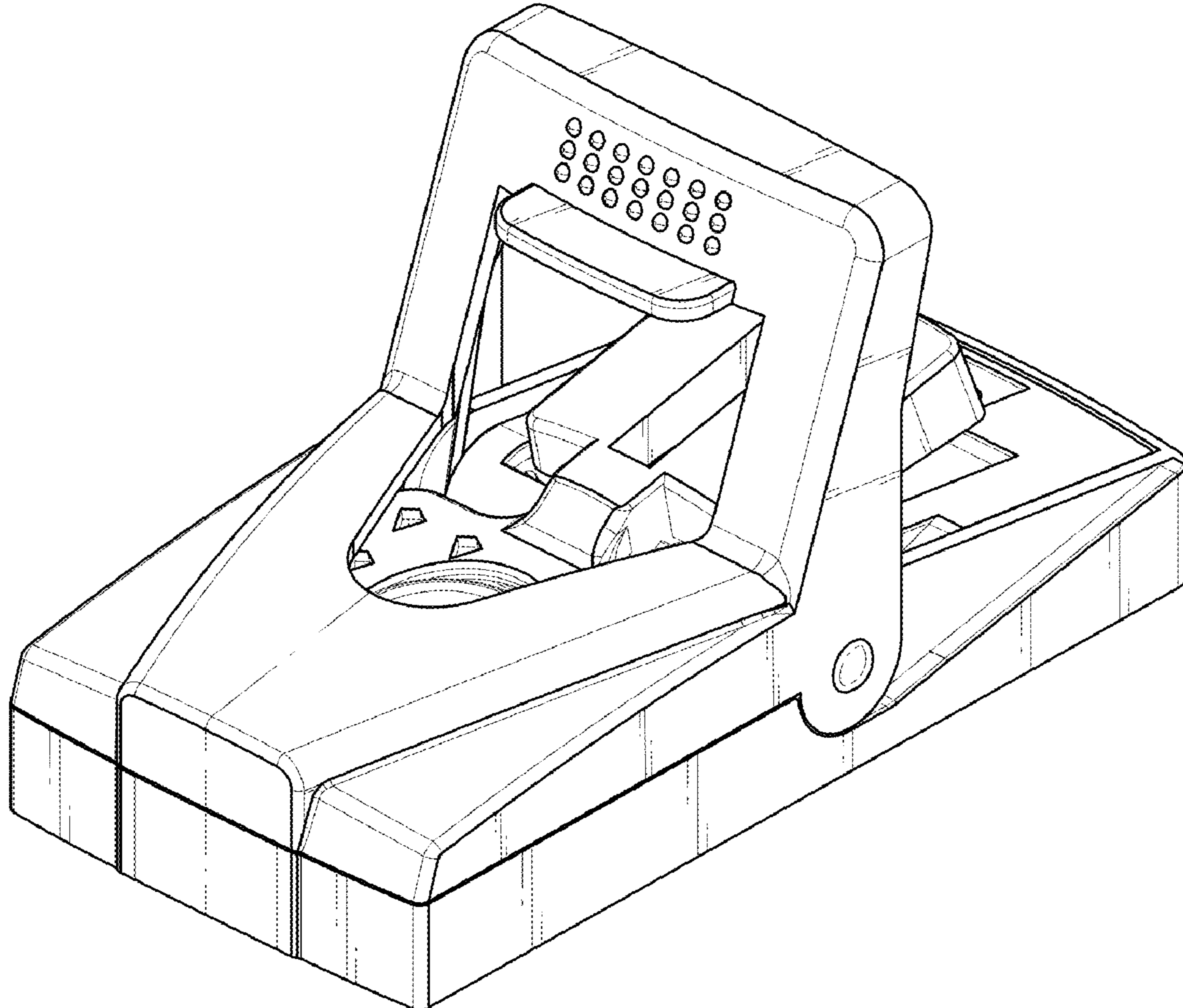
(57) **CLAIM**

I claim the ornamental design for a mouse snap trap, as shown and described.

**DESCRIPTION**

FIG. 1 is a Front Perspective view of a mouse snap trap showing my new design;  
FIG. 2 is a Front view thereof;  
FIG. 3 is a Back view thereof;  
FIG. 4 is a Right-side view thereof;  
FIG. 5 is a Left-side view thereof;  
FIG. 6 is a Top view thereof;  
FIG. 7 is a Bottom view thereof; and,  
FIG. 8 is a Bottom Perspective view thereof.

**1 Claim, 5 Drawing Sheets**



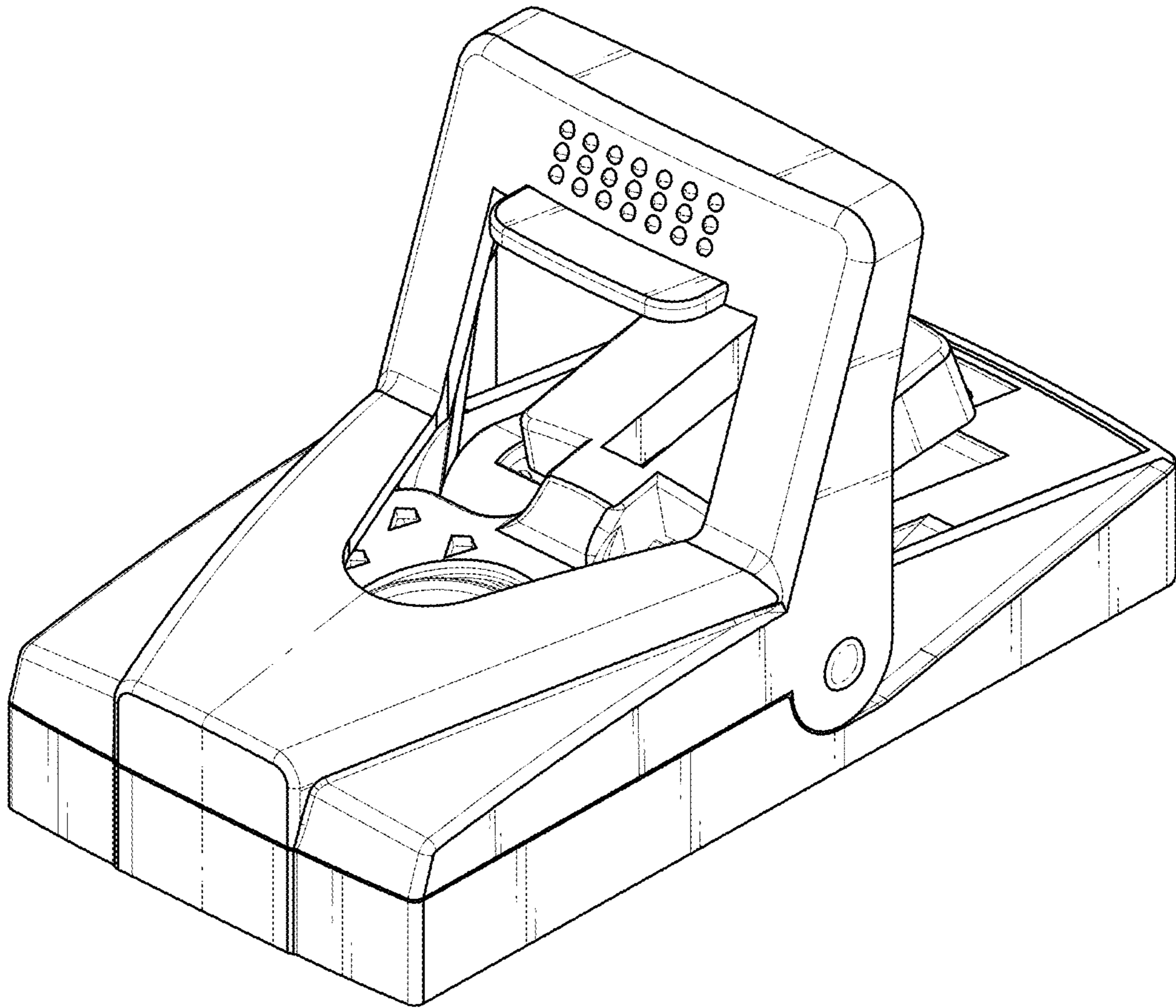


FIG. 1

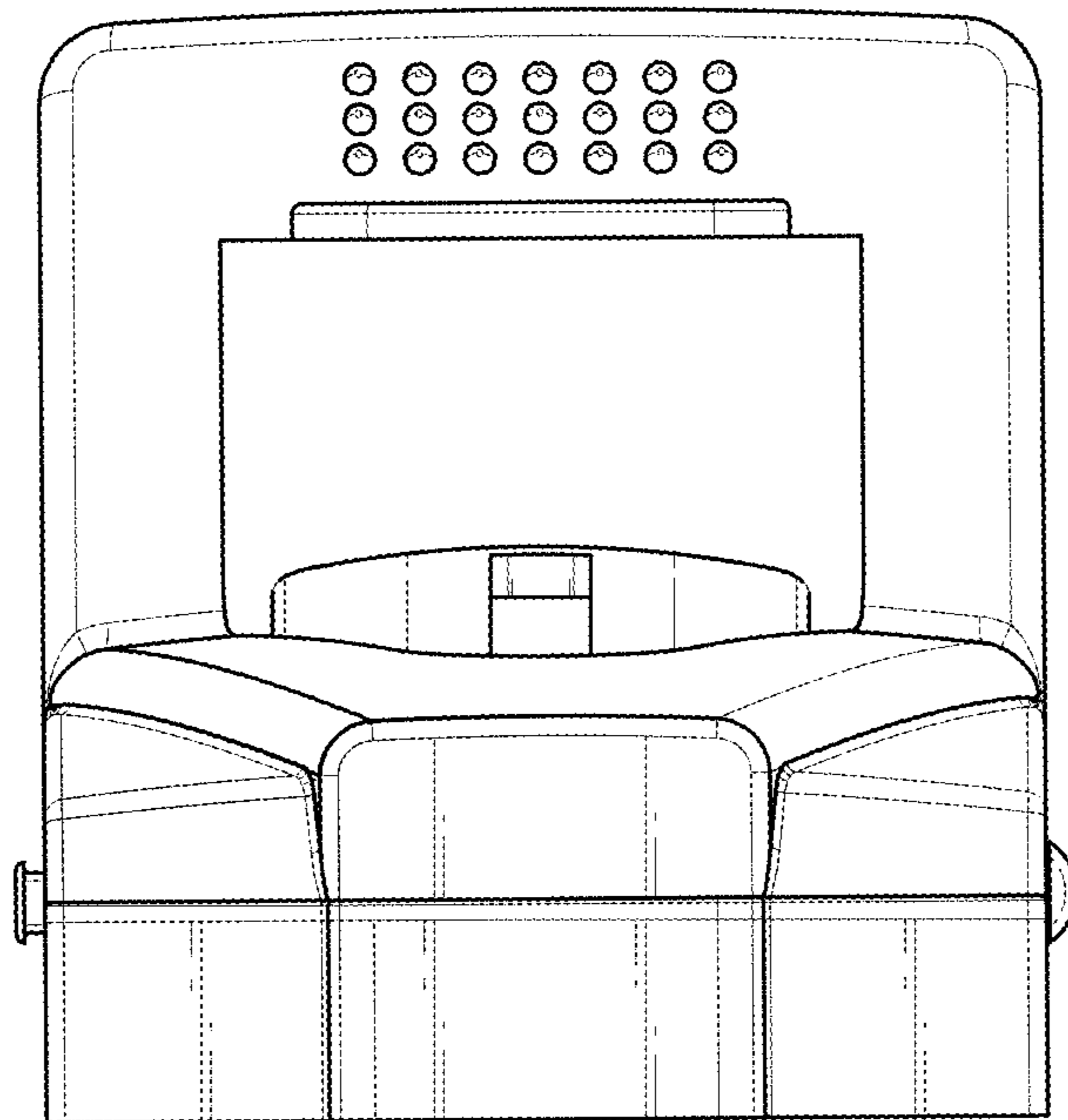


FIG. 2

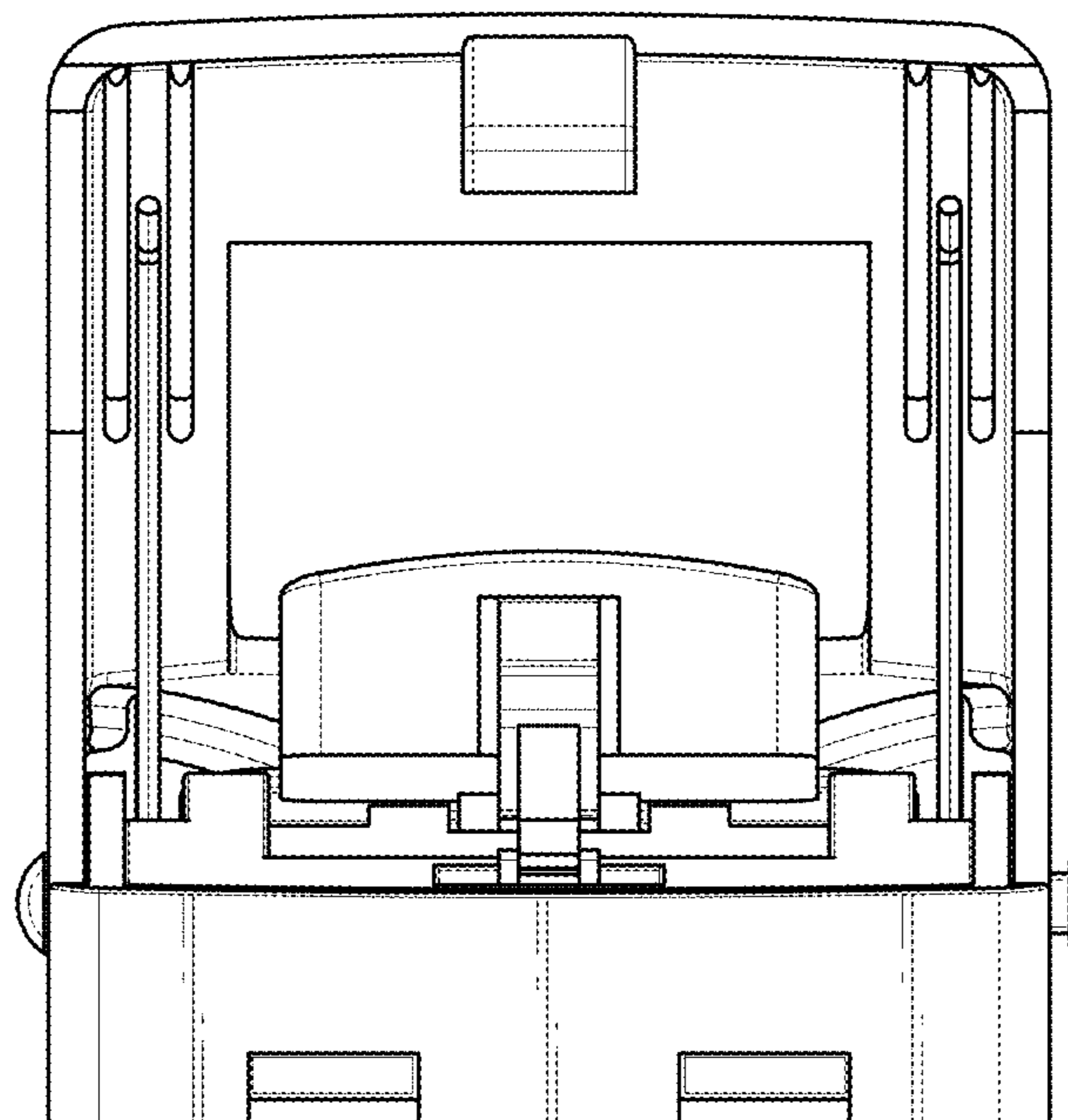


FIG. 3

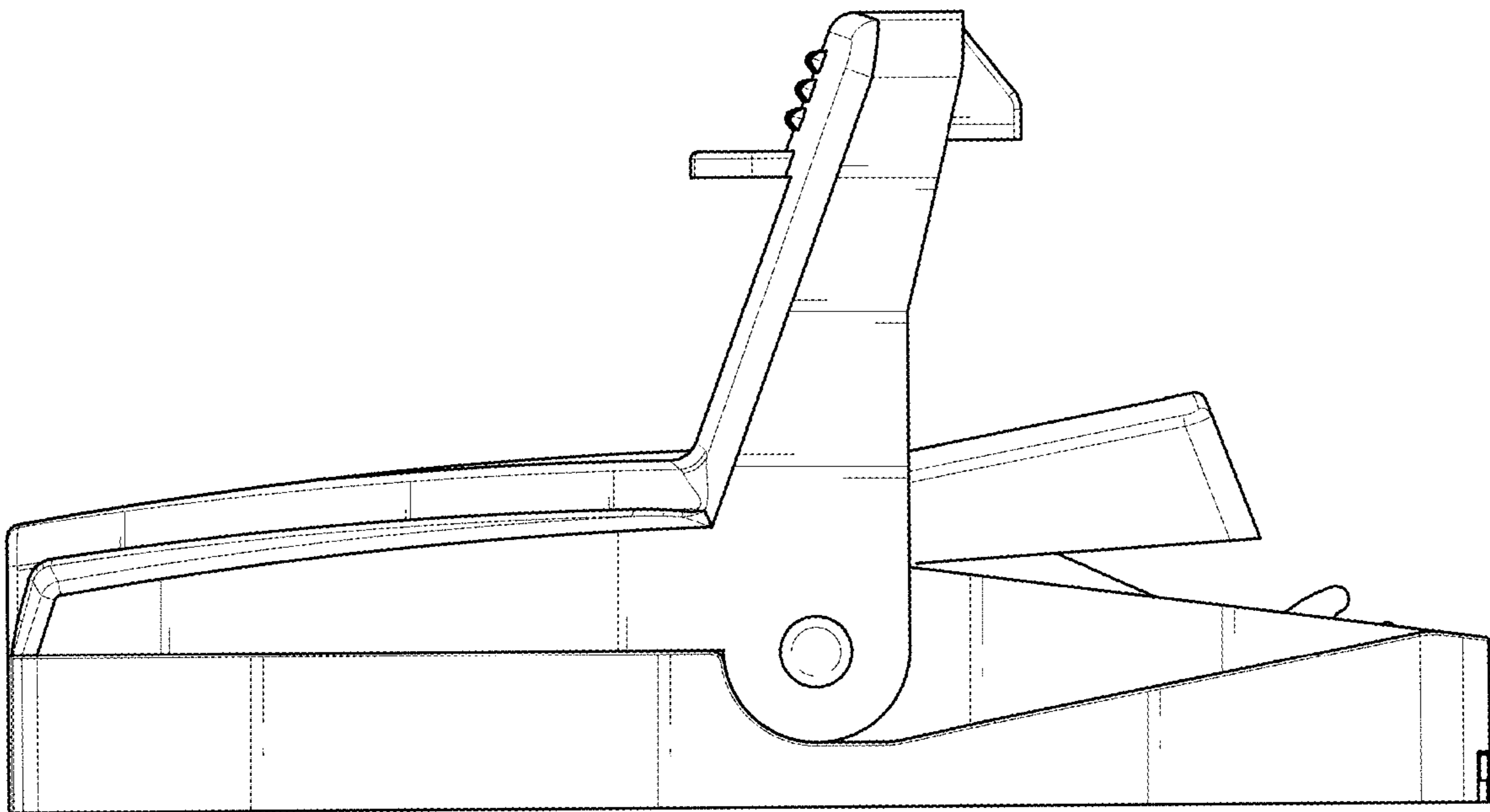


FIG. 4

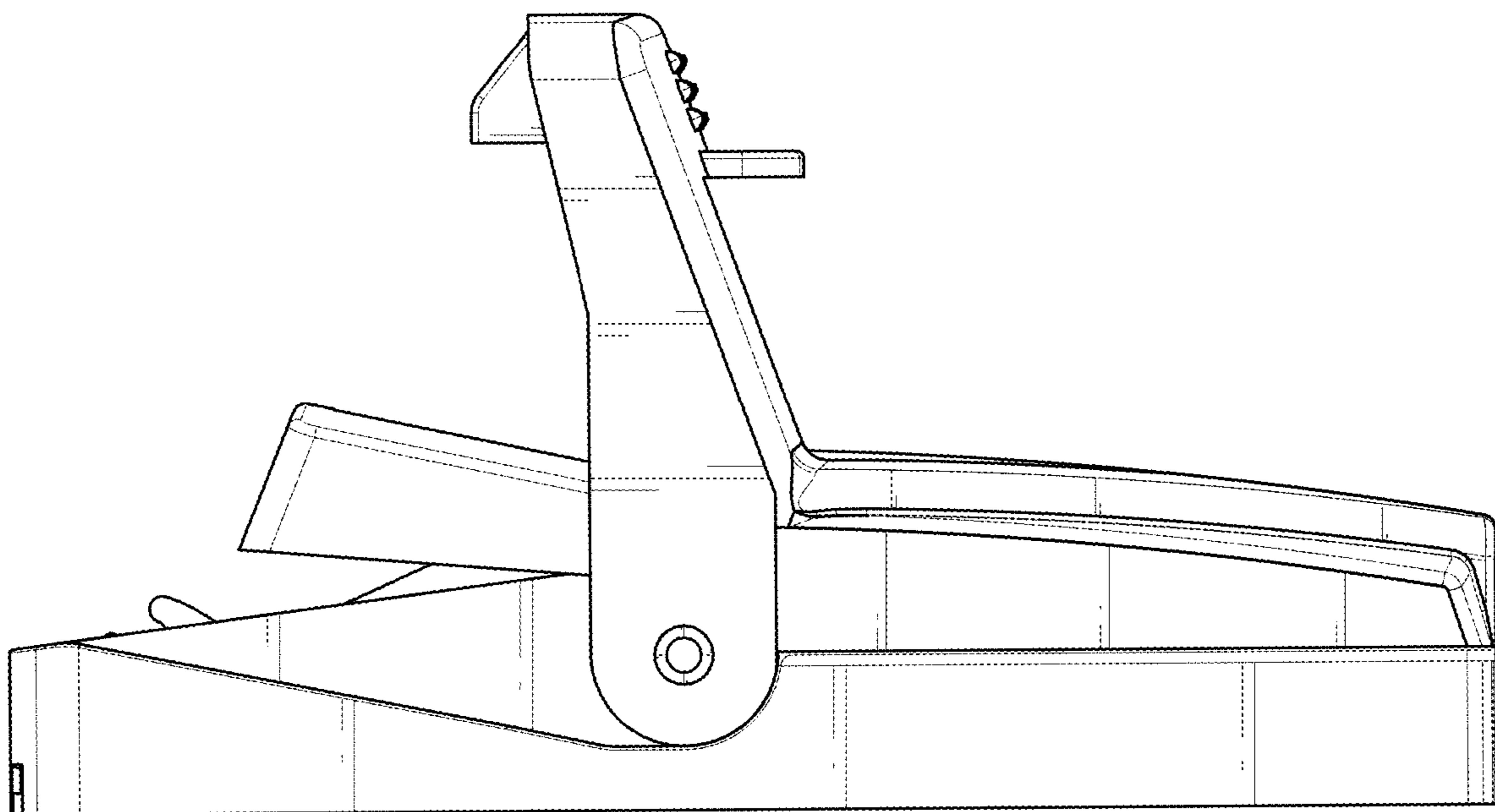


FIG. 5



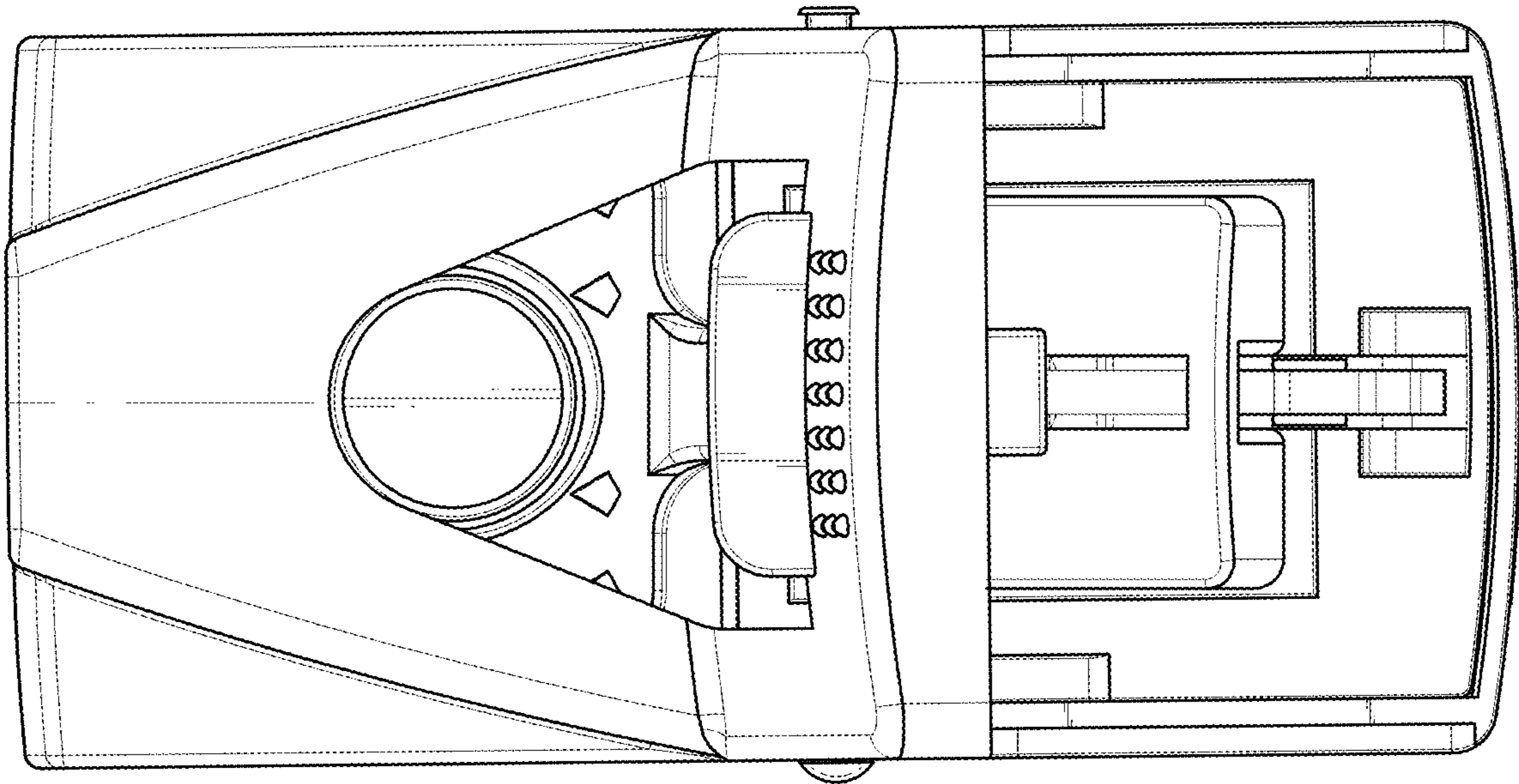


FIG. 6

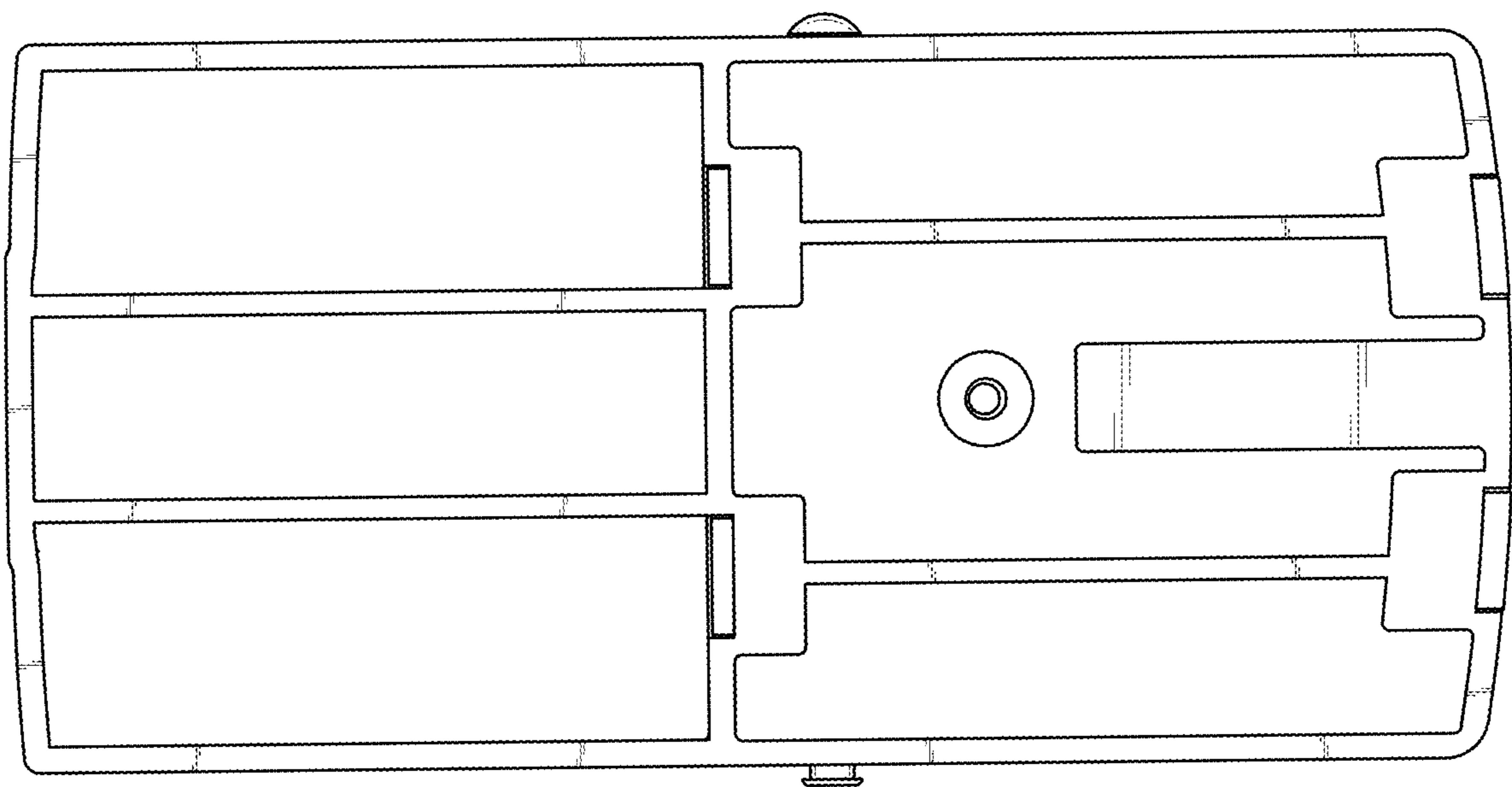


FIG. 7

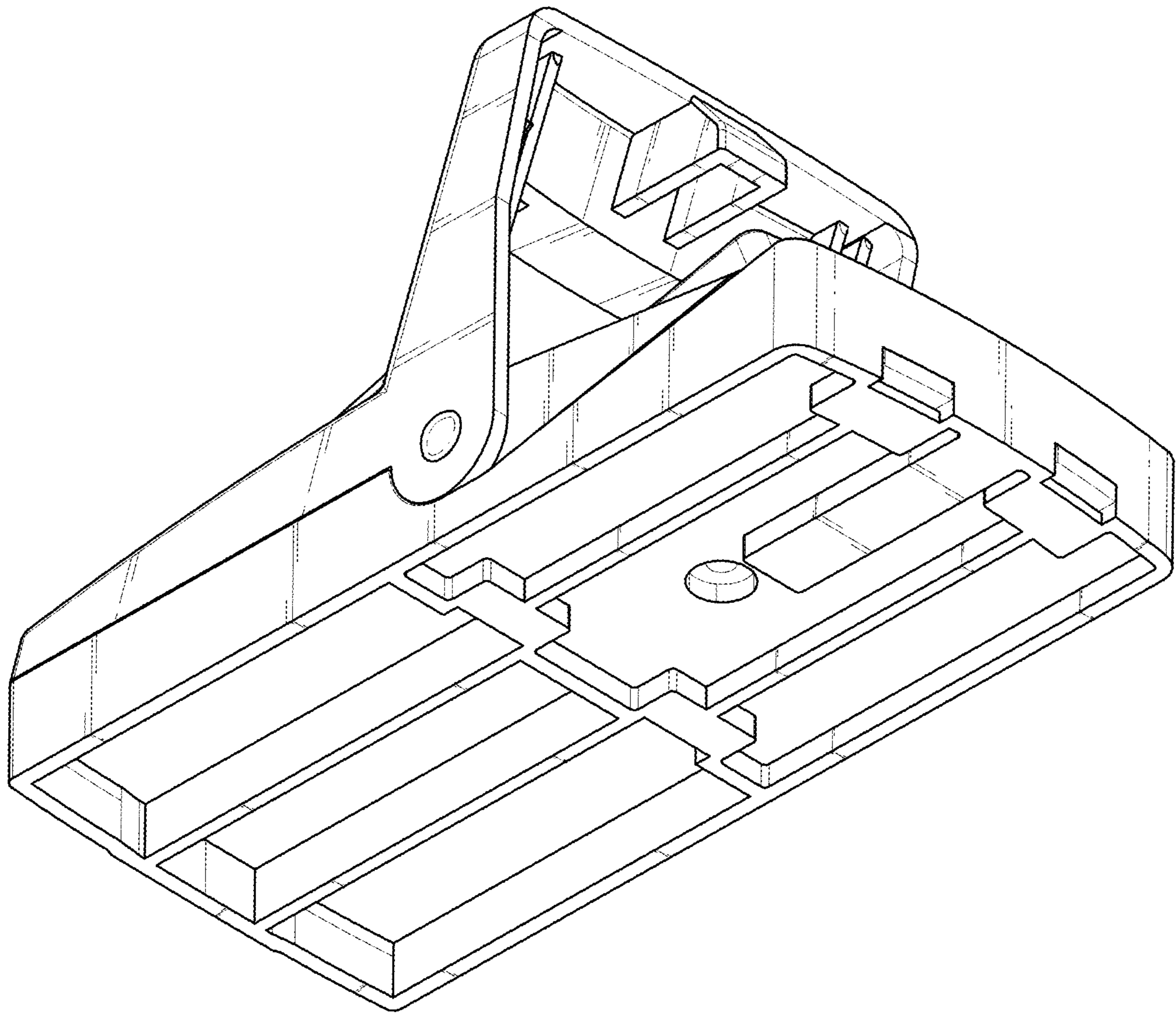


FIG. 8