



US00D961715S

(12) **United States Design Patent** (10) **Patent No.:** **US D961,715 S**  
**Luo** (45) **Date of Patent:** **\*\* Aug. 23, 2022**

(54) **RAT SNAP TRAP**

OTHER PUBLICATIONS

(71) Applicant: **Yuhua Luo**, Chenzhou (CN)

[https://www.amazon.com/LULUCATCH-Plastic-Control-Catcher-Reusable/dp/B096W8RYB7/ref=sr\\_1\\_24?crd=1ICMNQ7CN312R&keywords=rat+snap+traps&qid=1655428513&srefix=%2Caps%2C58&sr=8-24](https://www.amazon.com/LULUCATCH-Plastic-Control-Catcher-Reusable/dp/B096W8RYB7/ref=sr_1_24?crd=1ICMNQ7CN312R&keywords=rat+snap+traps&qid=1655428513&srefix=%2Caps%2C58&sr=8-24) (no reviews listed) date unknown.\*

(72) Inventor: **Yuhua Luo**, Chenzhou (CN)

[https://www.amazon.com/Tomcat-Rat-Snap-Trap-Mechanical/dp/B07GH4X4KZ/ref=sr\\_1\\_2?crd=KH3B2NOKUT8C&keywords=tomcat+7201981+Rat+Snap+Trap%2C+2+pack&qid=1655428835&srefix=tomcat+7201981+rat+snap+trap%2C+2+pack%2Caps%2C52&sr=8-2](https://www.amazon.com/Tomcat-Rat-Snap-Trap-Mechanical/dp/B07GH4X4KZ/ref=sr_1_2?crd=KH3B2NOKUT8C&keywords=tomcat+7201981+Rat+Snap+Trap%2C+2+pack&qid=1655428835&srefix=tomcat+7201981+rat+snap+trap%2C+2+pack%2Caps%2C52&sr=8-2) (Year: 2018).\*

(\*\*) Term: **15 Years**

(21) Appl. No.: **29/775,523**

(22) Filed: **Mar. 24, 2021**

(51) **LOC (13) Cl.** ..... **22-06**

\* cited by examiner

(52) **U.S. Cl.**

USPC ..... **D22/119**

*Primary Examiner* — Catherine R Oliver-Garcia

(58) **Field of Classification Search**

(74) *Attorney, Agent, or Firm* — Rumit Ranjit Kanakia

USPC ..... D22/119

CPC ..... A01M 1/14; A01M 23/00; A01M 23/30;

A01M 23/36; A01M 23/005; A01M 23/26

See application file for complete search history.

(57) **CLAIM**

(56) **References Cited**

I claim the ornamental design for a rat snap trap, as shown and described.

U.S. PATENT DOCUMENTS

**DESCRIPTION**

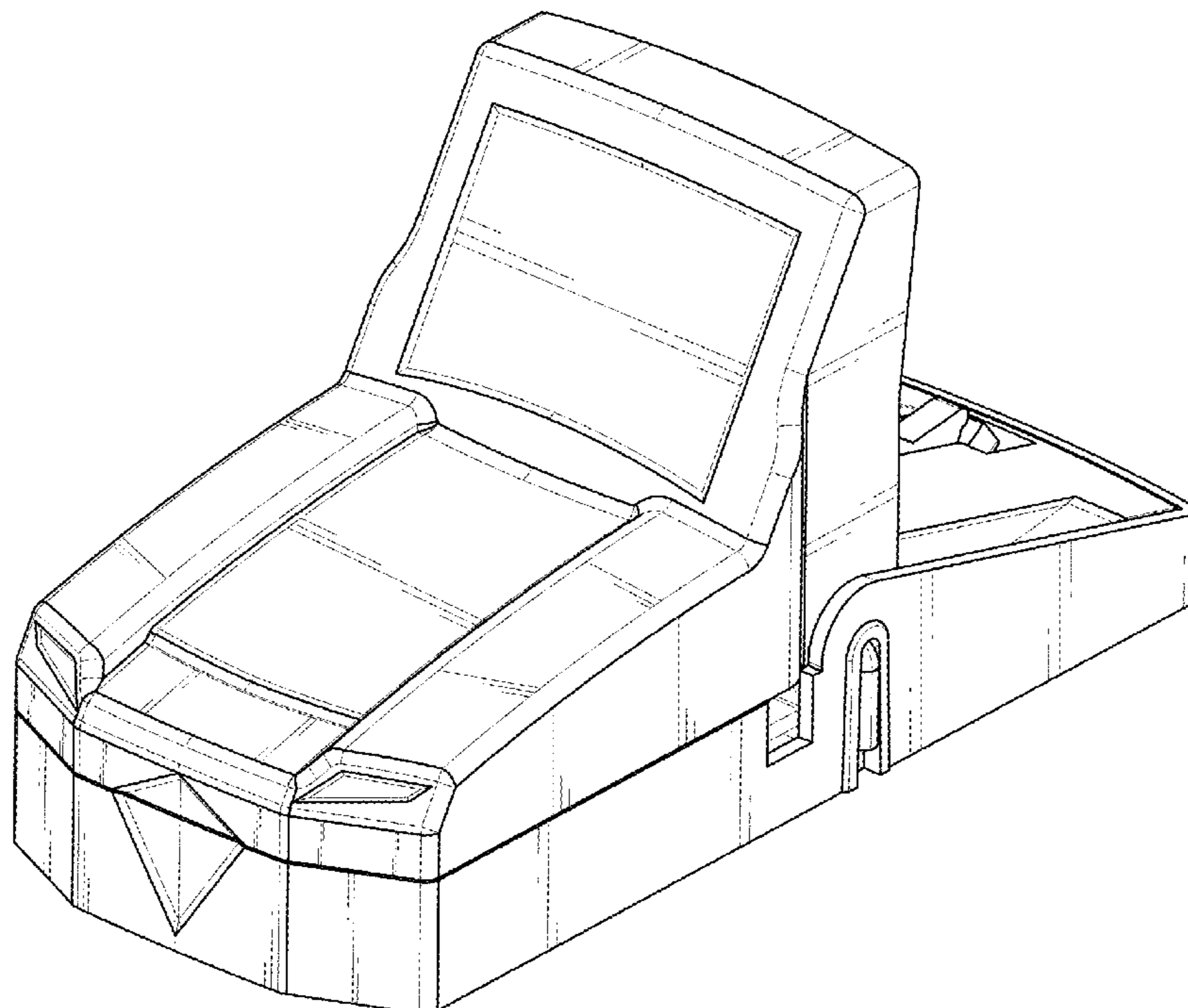
D676,098 S *	2/2013	Huang	.....	D22/119
D770,006 S *	10/2016	Tian	.....	D22/119
D904,550 S *	12/2020	Haney	.....	D22/119
D912,193 S *	3/2021	Yang	.....	D22/119
D917,004 S *	4/2021	Haney	.....	D22/119
D921,828 S *	6/2021	Haney	.....	D22/119
D925,000 S *	7/2021	Daniil	.....	D22/119
2010/0199544 A1 *	8/2010	Frisch	.....	A01M 23/30 43/81
2013/0263494 A1 *	10/2013	Kay	.....	A01M 23/00 43/58

FIG. 1 is a Front Perspective view of a rat snap trap showing my new design;  
FIG. 2 is a Front view thereof;  
FIG. 3 is a Back view thereof;  
FIG. 4 is a Right-side view thereof;  
FIG. 5 is a Left-side view thereof;  
FIG. 6 is a Top view thereof;  
FIG. 7 is a Bottom view thereof; and,  
FIG. 8 is a Bottom Perspective view thereof.

FOREIGN PATENT DOCUMENTS

WO WO 2017149163 \* 9/2017 ..... A01M 23/26

**1 Claim, 5 Drawing Sheets**



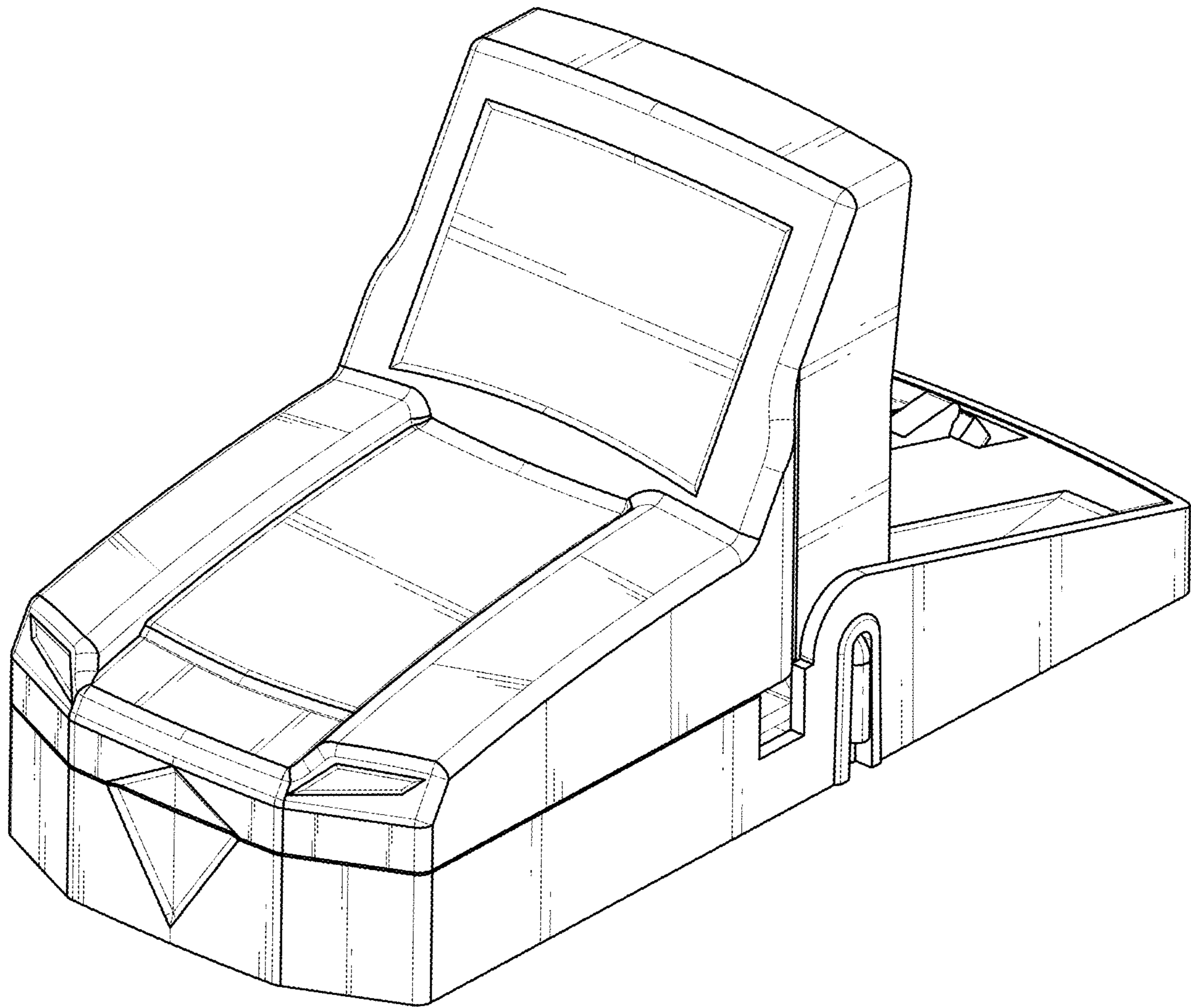


FIG. 1

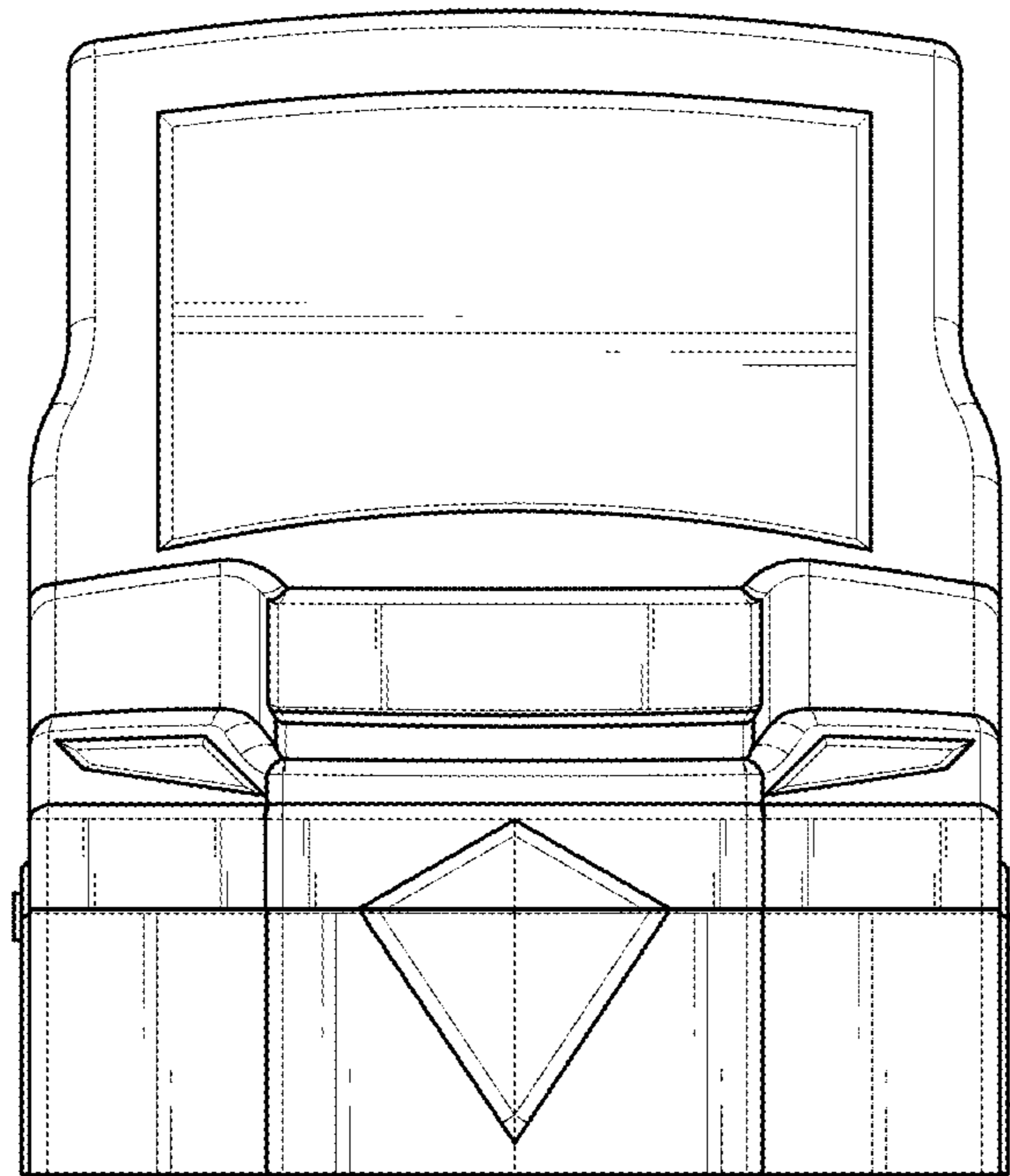


FIG. 2

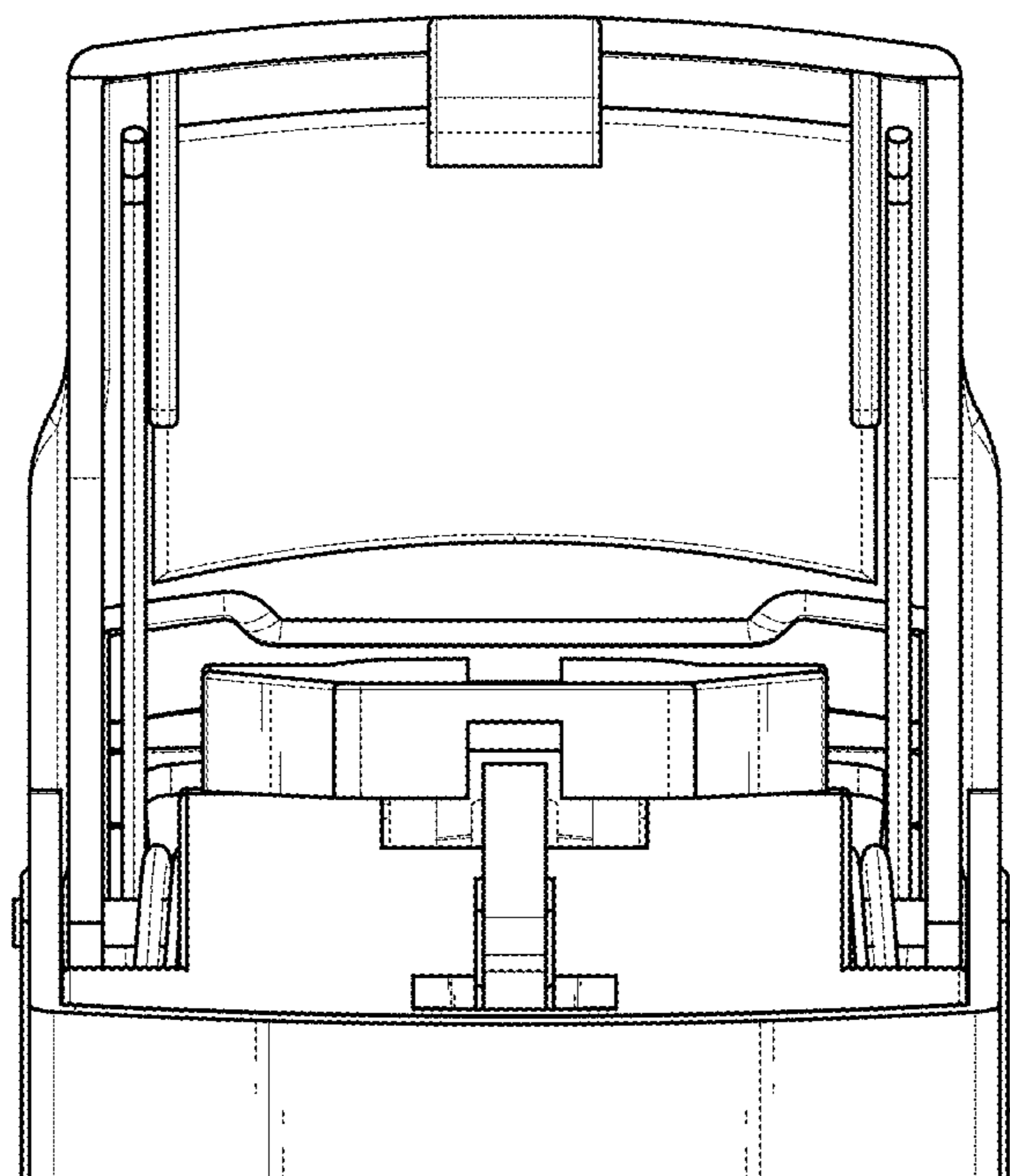


FIG. 3

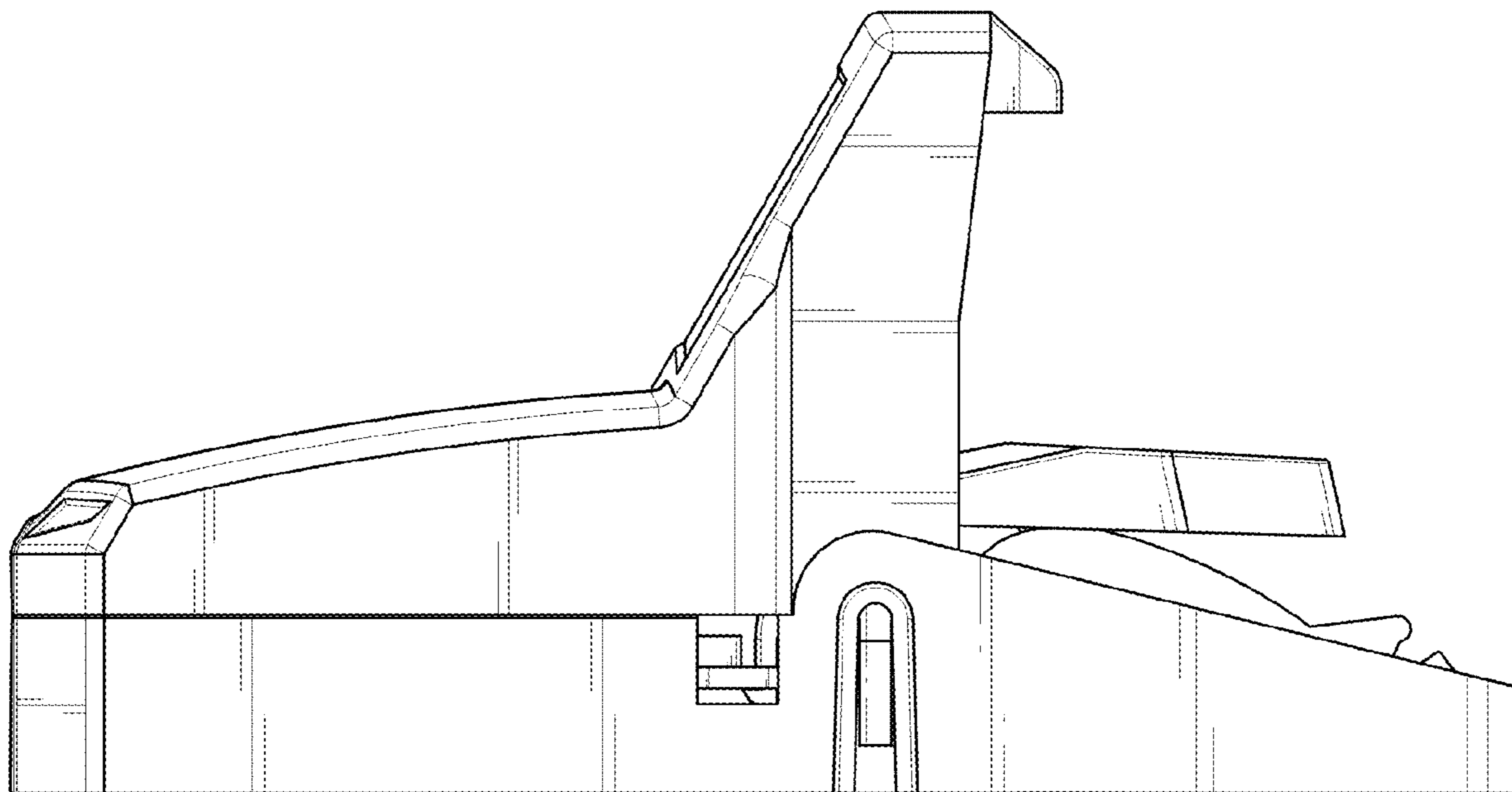


FIG. 4

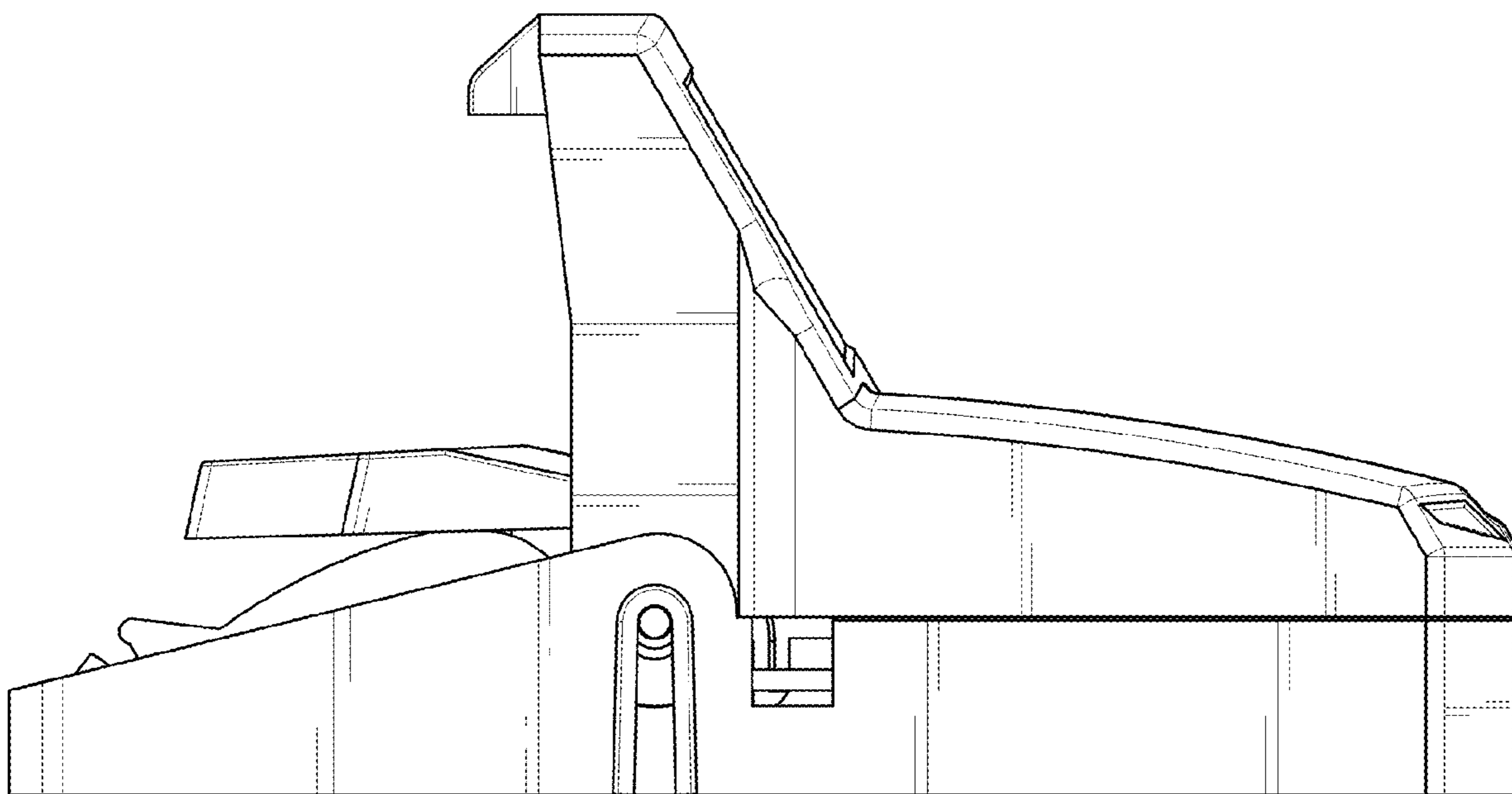


FIG. 5

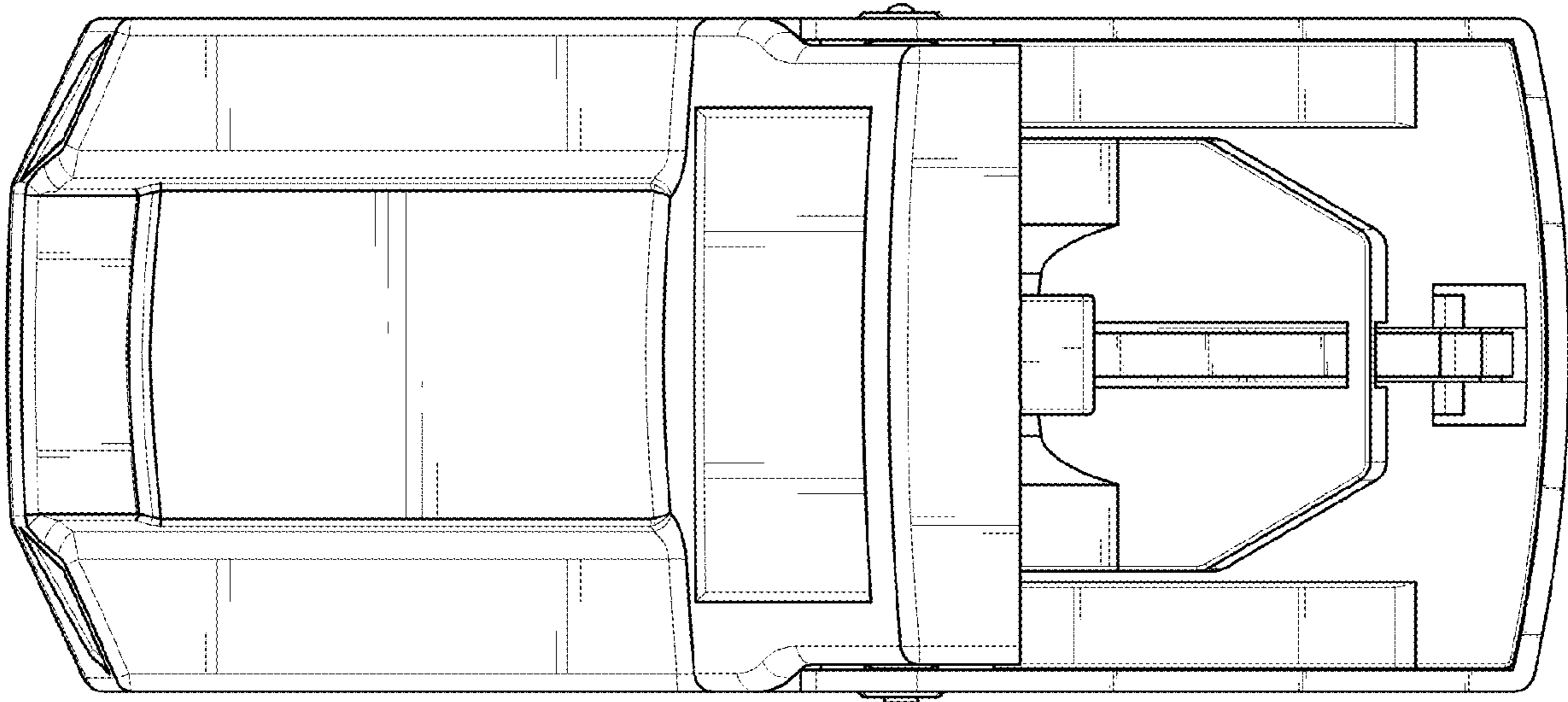


FIG. 6

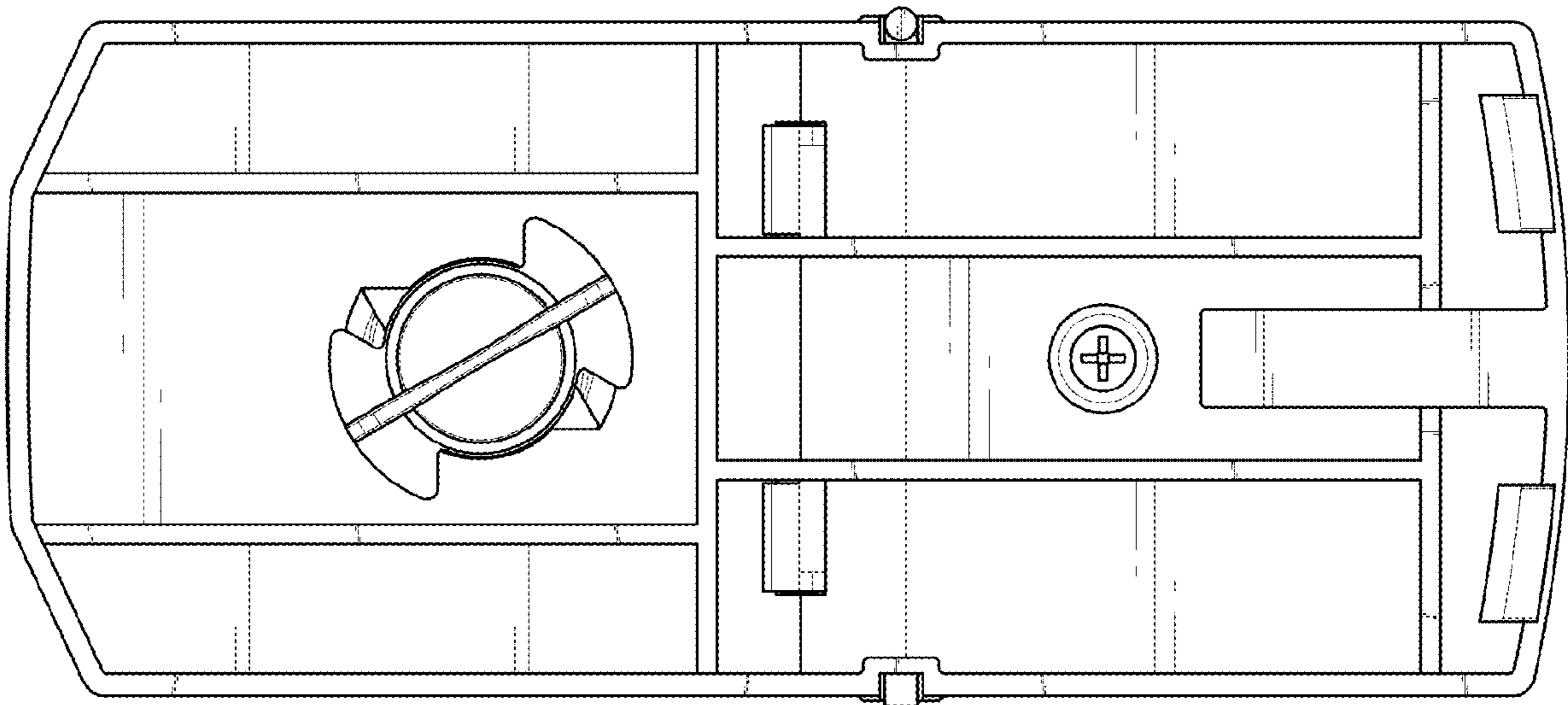


FIG. 7

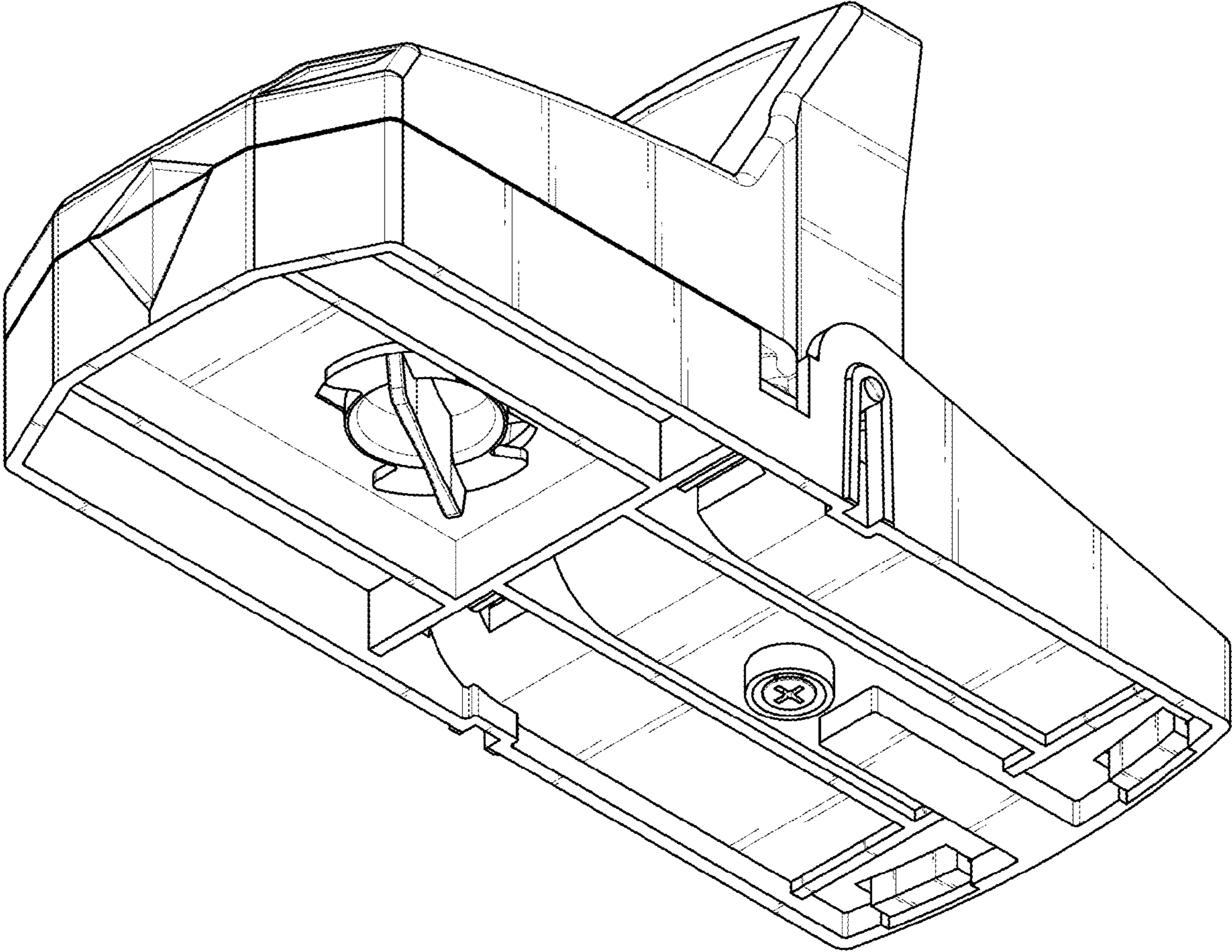


FIG. 8