



US00D961714S

(12) **United States Design Patent** (10) **Patent No.:** **US D961,714 S**
Schulte et al. (45) **Date of Patent:** **** Aug. 23, 2022**

(54) **WEAPON SIGHT**
(71) Applicant: **EOTECH, LLC**, Ann Arbor, MI (US)
(72) Inventors: **Mark Edwin Schulte**, Manchester, MI (US); **Anthony Heath**, Ypsilanti, MI (US)
(73) Assignee: **EOtech, LLC**, Plymouth, MI (US)

10,563,955 B2 * 2/2020 Pniel F41G 1/16
10,605,565 B1 3/2020 Geissele
10,704,862 B2 * 7/2020 Chung F41G 3/08
D895,760 S * 9/2020 Johnston D22/109
D906,465 S * 12/2020 Horton D22/109
10,921,091 B2 * 2/2021 Borrico G03H 1/2294
(Continued)

(**) Term: **15 Years**
(21) Appl. No.: **29/714,253**

FOREIGN PATENT DOCUMENTS

CN 305189285 * 5/2019
CN 305671269 * 3/2020
KR 300743516 * 5/2014

(22) Filed: **Nov. 21, 2019**
(51) **LOC (13) Cl.** **22-01**
(52) **U.S. Cl.**
USPC **D22/109**
(58) **Field of Classification Search**
USPC D22/108, 109, 110, 199; D16/130, 132, D16/136
CPC . F41C 27/00; F41G 1/387; F41G 1/02; F41G 1/06; F41G 1/10; F41G 1/30; F41G 11/001; F41G 11/003; F41G 11/004; F41G 11/005
See application file for complete search history.

OTHER PUBLICATIONS

MidTen 1X22X33, first available: Sep. 11, 2018 [site visited: Aug. 11, 2021] URL: <https://www.amazon.com/MidTen-1X22X32-Reticles-Reflex-Detach/dp/B07H8VRFXC/> (Year: 2018).*
(Continued)

Primary Examiner — Marissa J Cash
Assistant Examiner — Jessie Anne E Touart
(74) *Attorney, Agent, or Firm* — Bodman PLC

(56) **References Cited**

U.S. PATENT DOCUMENTS

198,415 A 12/1877 Ramsey
237,884 A 2/1881 Mainzer et al.
277,600 A 5/1883 Newhouse et al.
6,490,060 B1 * 12/2002 Tai G02B 5/32 359/15
7,721,481 B2 5/2010 Houde-Walter
D662,566 S * 6/2012 Estes D22/109
9,453,706 B1 9/2016 Crispin
9,752,853 B2 * 9/2017 Teetzel B27B 5/36
10,175,029 B2 * 1/2019 Teetzel F41G 1/30
D847,292 S * 4/2019 Hoff D22/109
10,247,515 B2 4/2019 Collin
D872,219 S * 1/2020 Horton D22/109

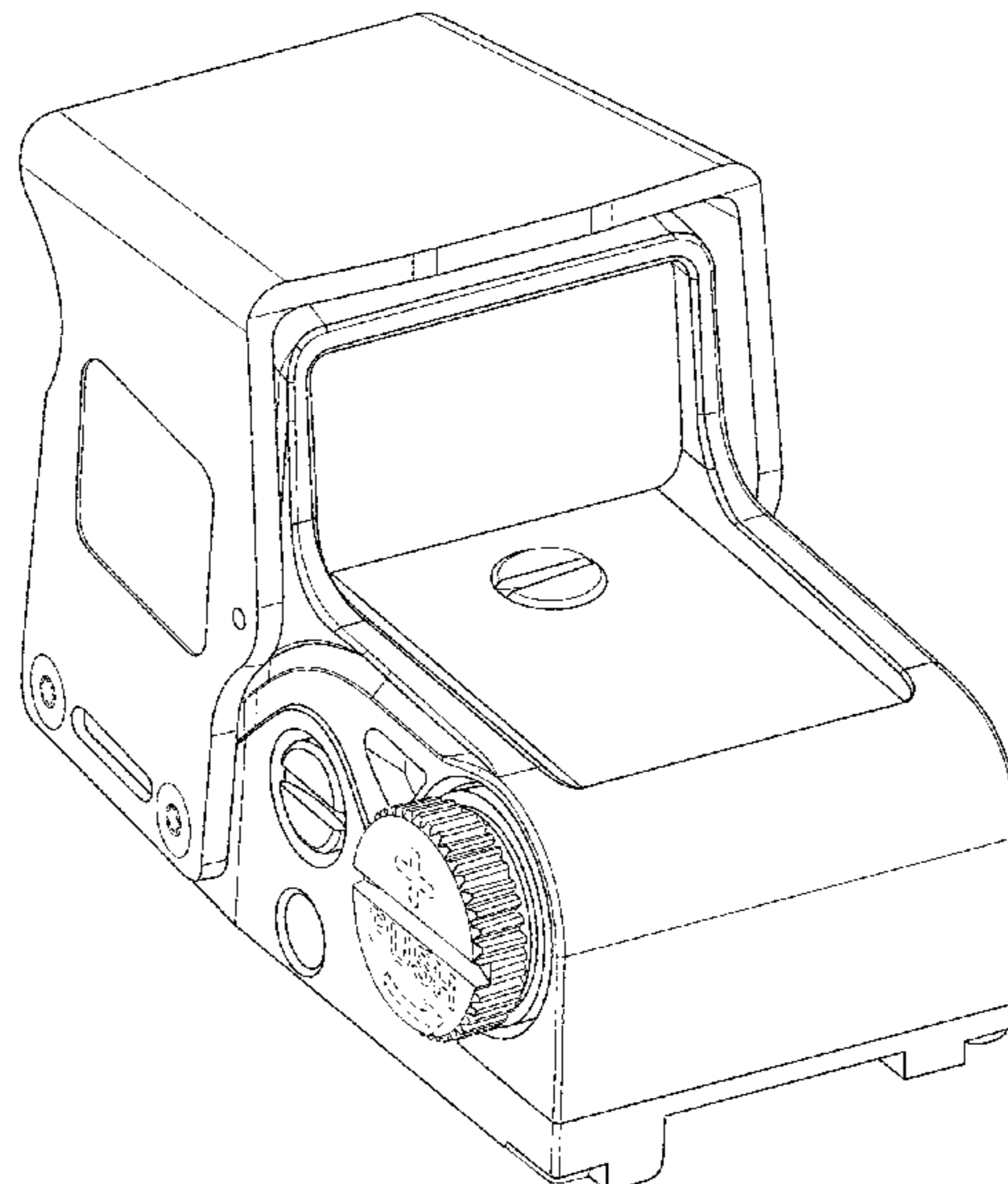
(57) **CLAIM**

The ornamental design for a weapon sight, as shown and described.

DESCRIPTION

FIG. 1 is a front top right perspective view of a weapon sight.
FIG. 2 is a rear top right perspective view thereof.
FIG. 3 is a top view thereof.
FIG. 4 is a back side view thereof.
FIG. 5 is a front side view thereof.
FIG. 6 is a right side view thereof; and,
FIG. 7 is a left side view thereof.
The broken lines in the figures illustrate portions of the weapon sight and form no part of the claimed design.

1 Claim, 7 Drawing Sheets



(56)

References Cited

U.S. PATENT DOCUMENTS

10,942,005 B2* 3/2021 Teetzel F41G 1/35
 2006/0164704 A1 7/2006 Sieczka
 2011/0228366 A1 9/2011 Liu
 2013/0263491 A1* 10/2013 Jung F41G 1/30
 42/113
 2014/0109457 A1 4/2014 Speroni
 2014/0130395 A1 5/2014 Scroggins
 2014/0237884 A1 8/2014 Koesler
 2014/0268323 A1 9/2014 Feinberg
 2014/0283431 A1 9/2014 Tuller, Jr.
 2014/0305022 A1 10/2014 Chung
 2014/0334058 A1 11/2014 Galvan
 2015/0198415 A1 7/2015 Campean
 2016/0313089 A1* 10/2016 Collin F41G 1/30
 2017/0341257 A1* 11/2017 Teetzel B27B 7/00
 2019/0277600 A1 9/2019 Larsson
 2020/0025518 A1* 1/2020 Nackel F41G 1/30

2020/0033096 A1* 1/2020 Sabaldan Elpedes F41G 1/35
 2021/0156645 A1* 5/2021 Heath F41G 1/033
 2021/0156646 A1* 5/2021 Schulte F41G 1/30
 2021/0157086 A1* 5/2021 Heath G03H 1/0005
 2021/0157119 A1* 5/2021 Heath G02B 23/105
 2021/0157267 A1* 5/2021 Heath F41G 1/30
 2021/0207928 A1* 7/2021 Brewer F41G 11/002

OTHER PUBLICATIONS

Holosun HS510C, first available: Aug. 6, 2019, [site visited Aug. 11, 2021] URL: <https://www.amazon.com/HOLOSUN-HS510C-Lithium-Batteries-Cleaning/dp/B07W6HSV1L/> (Year: 2019).*
 Eotech Inc, Holographic Sights [site visited: Aug. 10, 2021] URL: <https://www.eotechinc.com/holographic-weapon-sights/view-all-holographic-sights> (Year: 2021).*
 U.S. Appl. No. 16/690,706, filed Nov. 21, 2019.

* cited by examiner

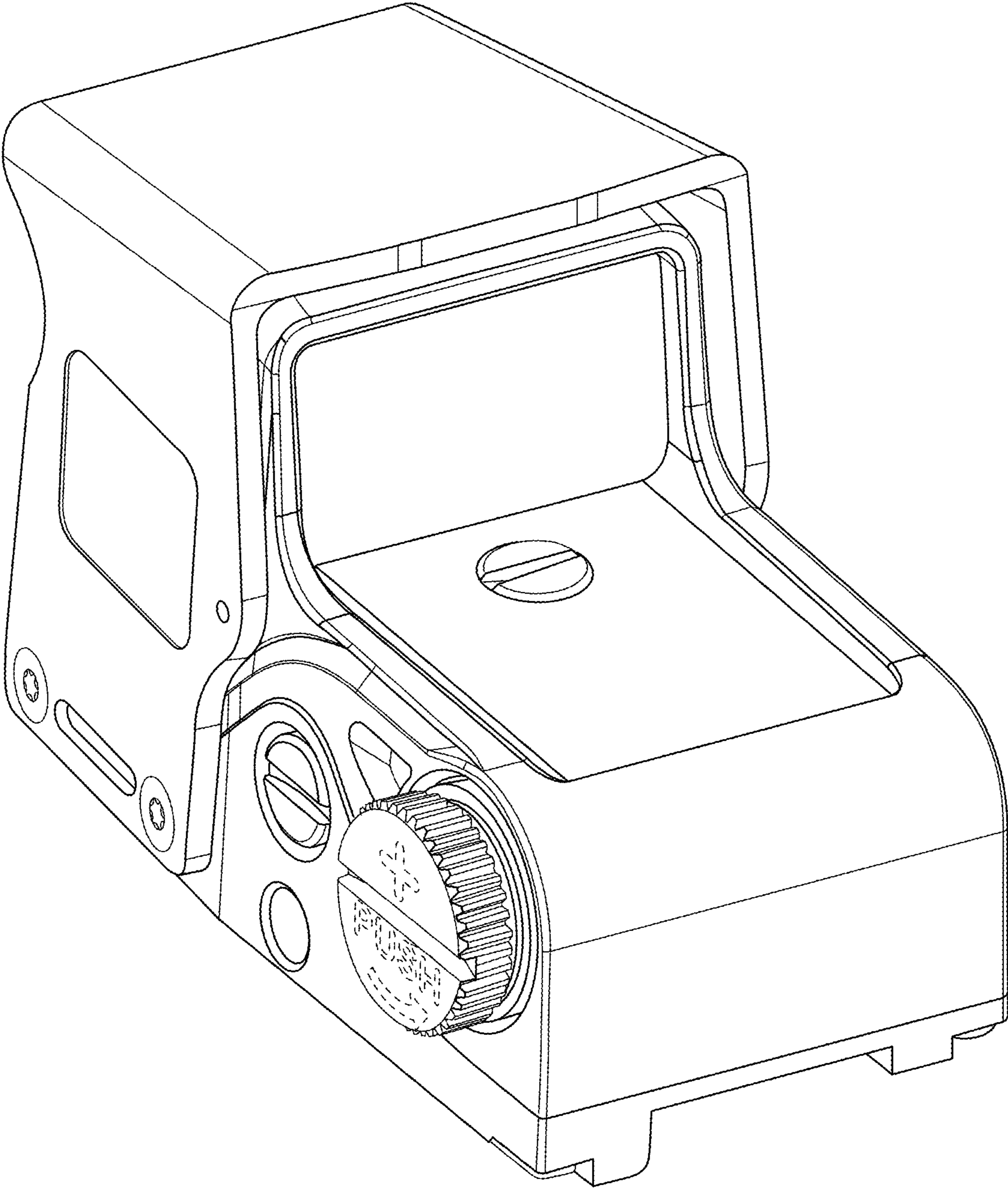


FIG. 1

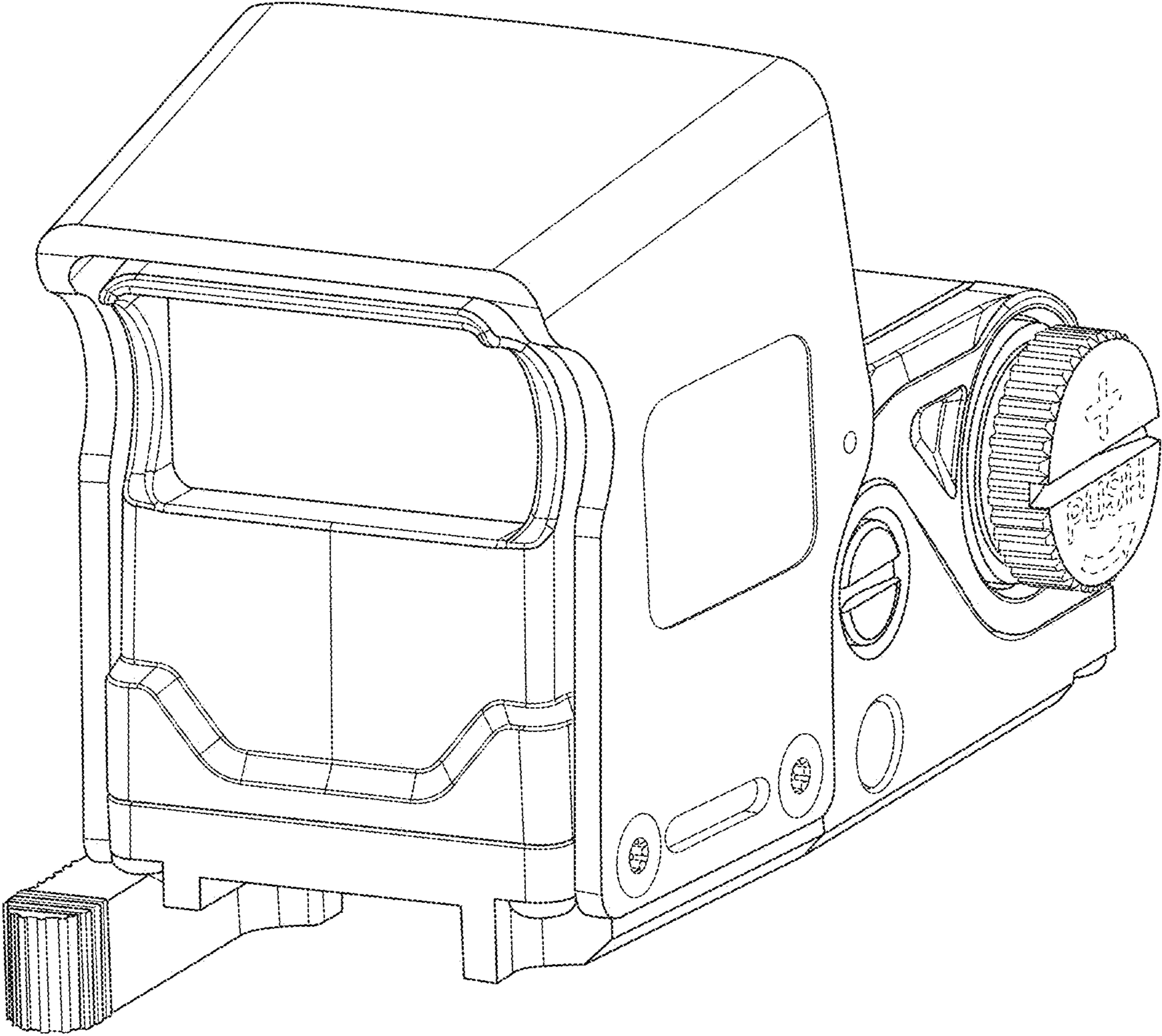


FIG. 2

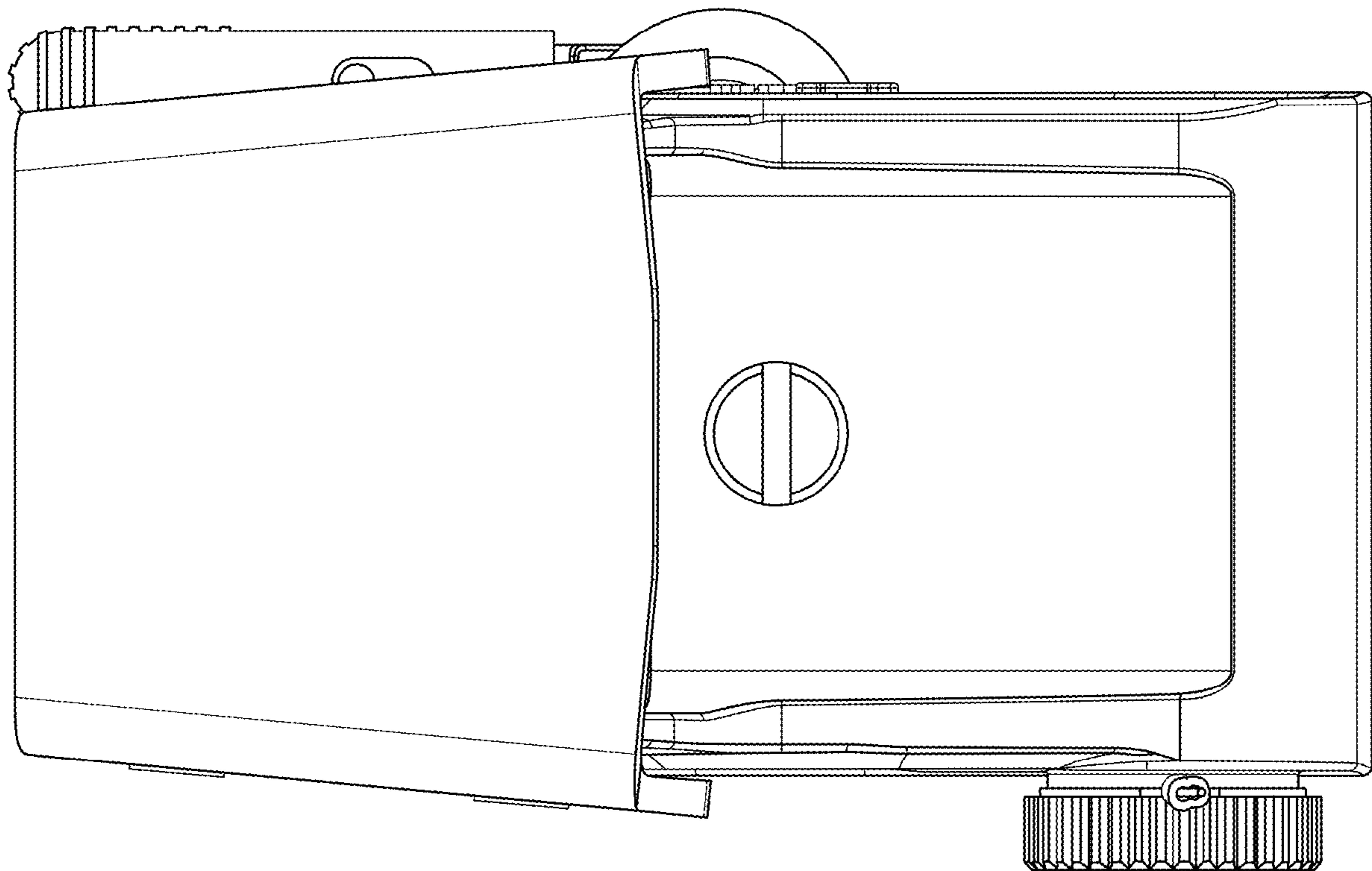


FIG. 3

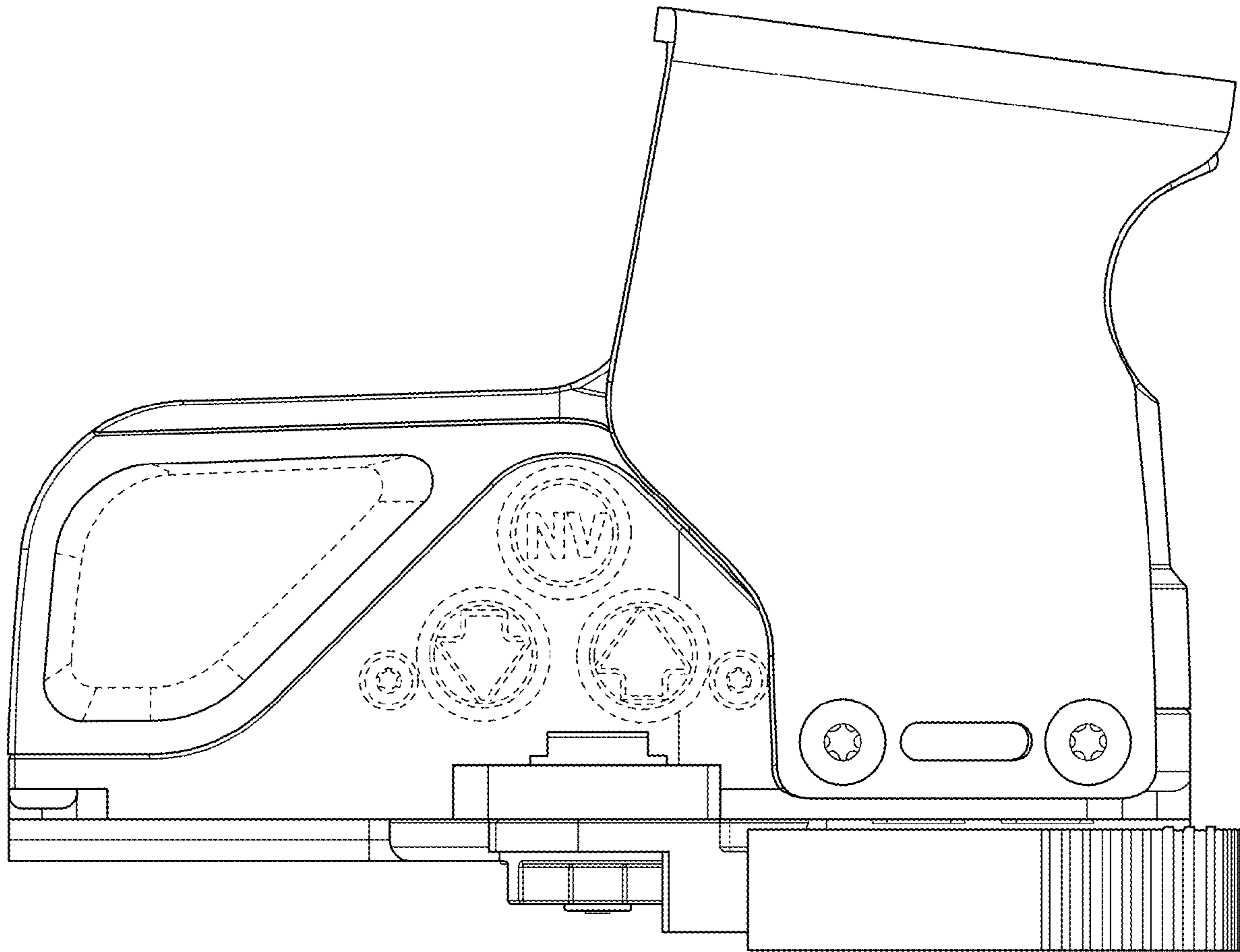


FIG. 4

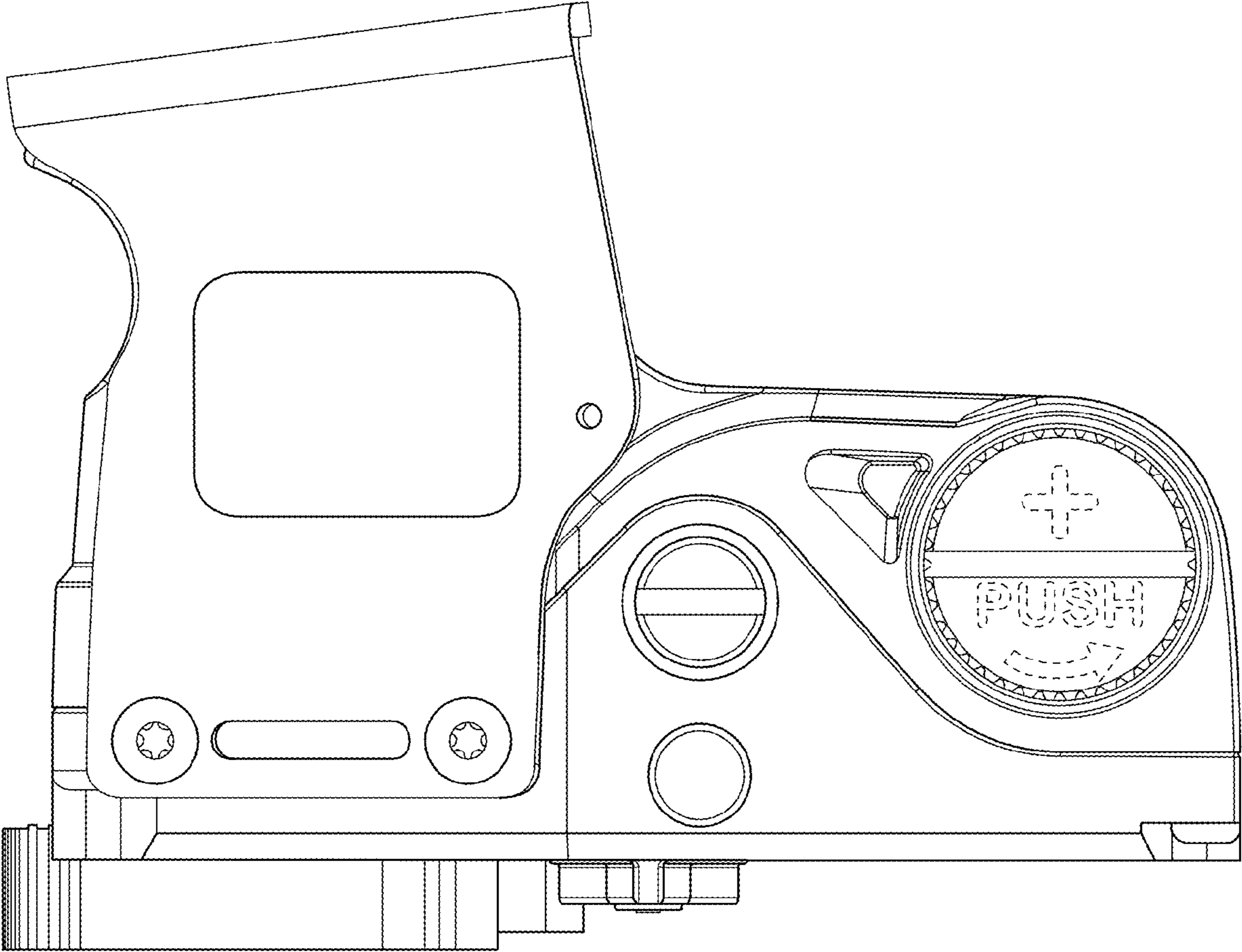


FIG. 5

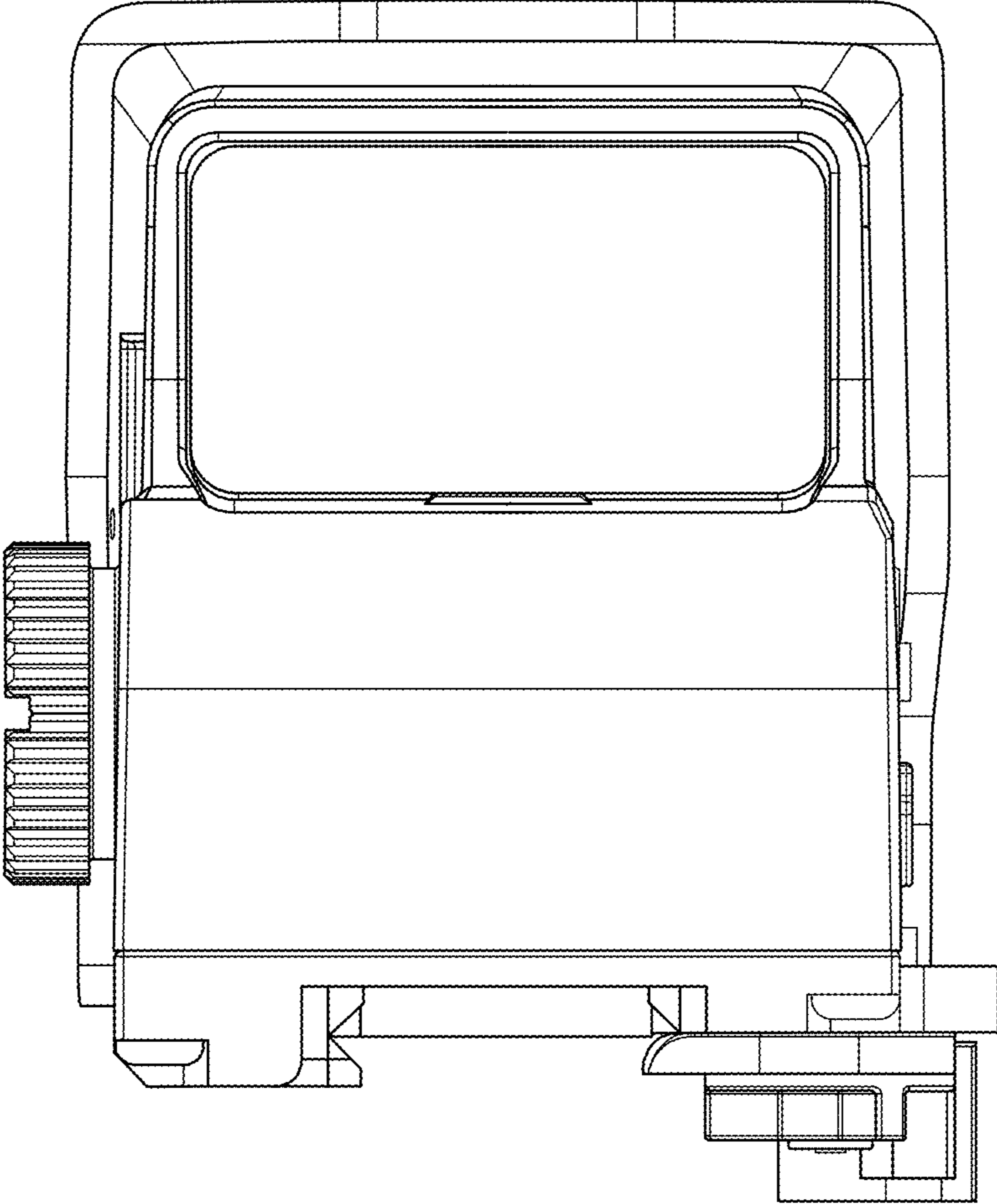


FIG. 6

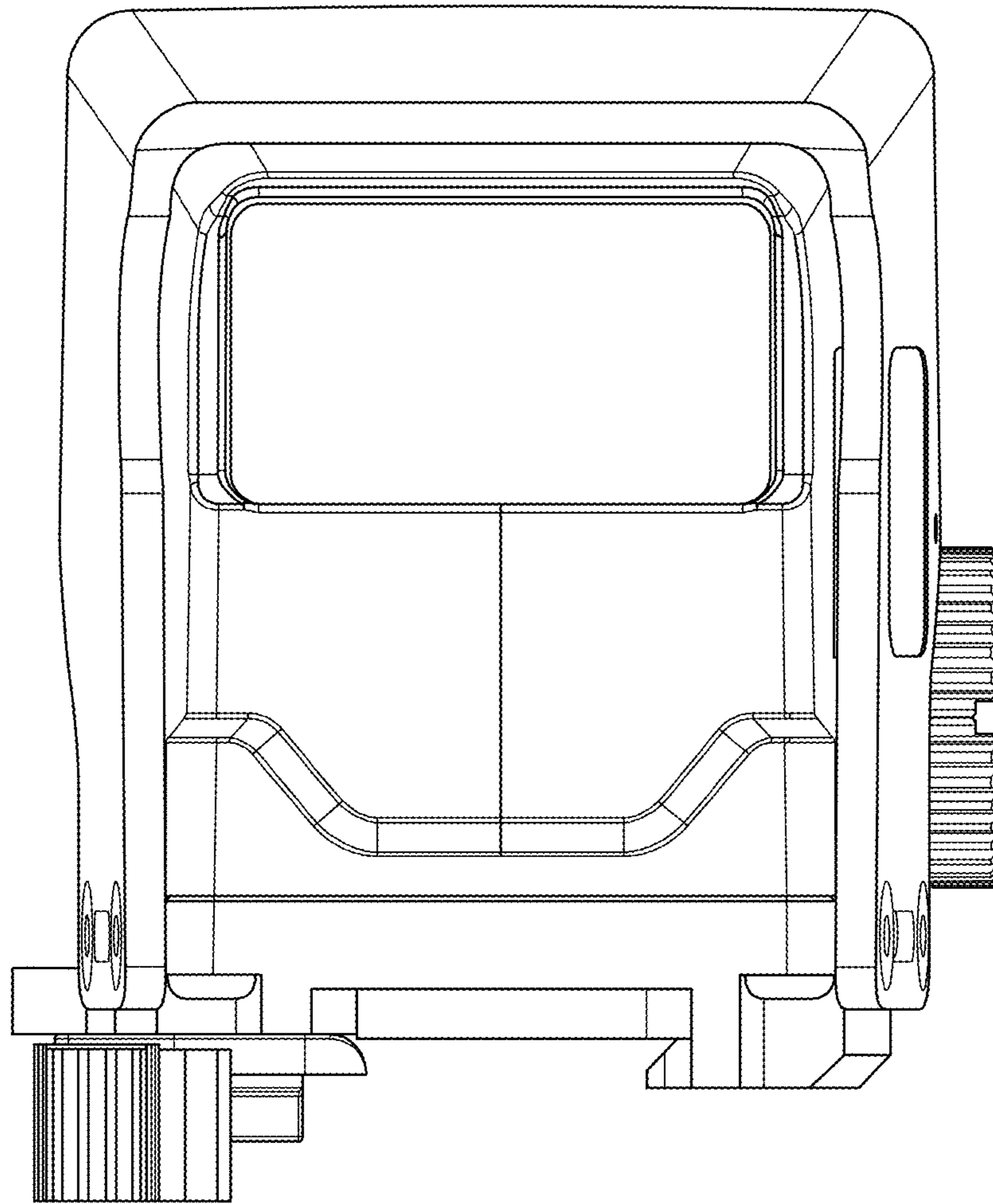


FIG. 7