



US00D961713S

(12) **United States Design Patent** (10) **Patent No.:** **US D961,713 S**  
**Lynch** (45) **Date of Patent:** **\*\* Aug. 23, 2022**

(54) **FIREARM STOCK**

(71) Applicant: **Magpul Industries Corp.**, Austin, TX (US)

(72) Inventor: **Clinton Wade Lynch**, Erie, CO (US)

(73) Assignee: **Magpul Industries Corp.**, Austin, TX (US)

(\*\*) Term: **15 Years**

(21) Appl. No.: **29/712,910**

(22) Filed: **Nov. 12, 2019**

(51) **LOC (13) Cl.** ..... **22-01**

(52) **U.S. Cl.**  
USPC ..... **D22/108**

(58) **Field of Classification Search**

USPC ..... D22/100, 103, 108, 109, 110, 199;  
D21/572, 573, 575

CPC ..... F41A 21/325; F41C 23/04; F41C 23/06;  
F41C 23/08; F41C 23/10; F41C 23/12;  
F41C 23/14; F41C 23/16; F41C 23/18;  
F41C 23/20; F41C 23/22; F41C 7/02;  
F41C 7/04; F41C 7/06; F41C 7/11; F41C  
7/12; F41C 27/00; F41C 27/06

See application file for complete search history.

(56) **References Cited**

U.S. PATENT DOCUMENTS

102,282 A 4/1870 Lee  
961,511 A \* 6/1910 Marble ..... F41C 23/04  
42/72  
D701,283 S \* 3/2014 Vera ..... D22/108  
D725,737 S \* 3/2015 Gambill ..... D22/108

(Continued)

OTHER PUBLICATIONS

Macwelch, Tim. "The Six Best Survival Rifles Under \$600" Outdoorlife.com posted: Aug. 18, 2021 [visited: Aug. 27, 2021] URL: https://www.outdoorlife.com/six-best-survival-rifles-under-600/ (Year: 2021).\*

(Continued)

*Primary Examiner* — Marissa J Cash

*Assistant Examiner* — Jessie Anne E Touart

(74) *Attorney, Agent, or Firm* — Neugeboren O'Dowd PC

(57) **CLAIM**

The ornamental design for a firearm stock, as shown and described.

**DESCRIPTION**

FIG. 1 is a front, left, top perspective view of a firearm stock showing our new design;

FIG. 2 is a front, right, bottom perspective view of the firearm stock of FIG. 1;

FIG. 3 is a left side elevation view of the firearm stock of FIG. 1;

FIG. 4 is a right side elevation view of the firearm stock of FIG. 1;

FIG. 5 is a front elevation view of the firearm stock of FIG. 1;

FIG. 6 is a rear elevation view of the firearm stock of FIG. 1; and

FIG. 7 is a top view of the firearm stock of FIG. 1;

FIG. 8 is a bottom view of the firearm stock of FIG. 1;

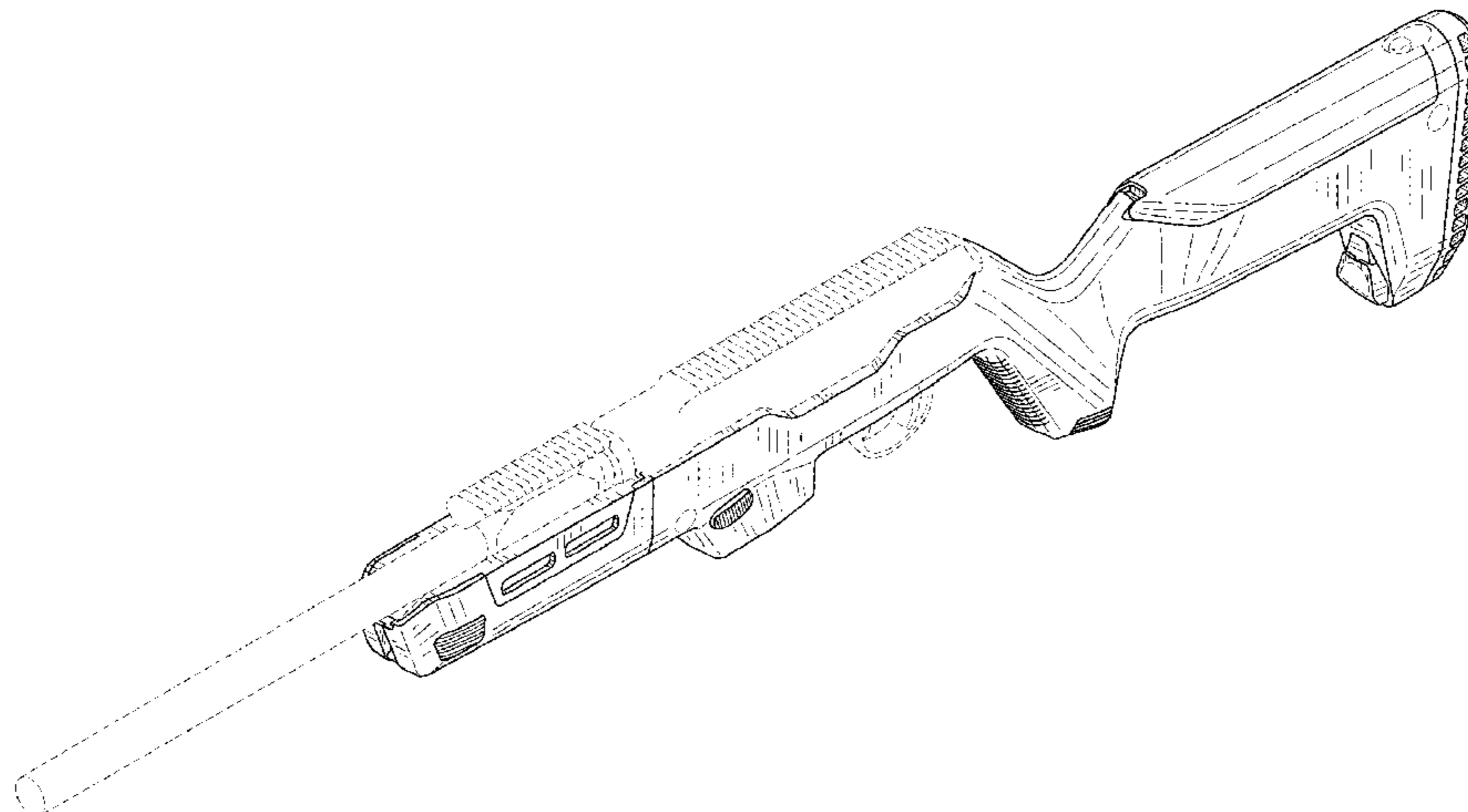
FIG. 9 is another front, left, top perspective view of the firearm stock of FIG. 1, shown in an alternate configuration of use; and,

FIG. 10 is another front, right bottom perspective view thereof.

The shade lines in the Figures show contour and not surface ornamentation.

The broken lines immediately adjacent the shaded areas represent the bounds of the claimed design while all other broken lines are directed to environment and are for illustrative purposes only; the broken lines form no part of the claimed design.

**1 Claim, 9 Drawing Sheets**



(56)

References Cited

U.S. PATENT DOCUMENTS

D728,056 S \* 4/2015 Gambill ..... D22/108  
 9,010,004 B1 4/2015 Fu  
 D744,055 S \* 11/2015 Bitz ..... D22/108  
 D757,885 S \* 5/2016 Barfoot ..... D22/108  
 D788,875 S \* 6/2017 Arnedo Vera ..... D22/108  
 D792,938 S \* 7/2017 Arnedo Vera ..... D22/108  
 10,161,699 B2 \* 12/2018 Sessions ..... F41C 23/22  
 10,203,178 B2 2/2019 Drake  
 D844,735 S \* 4/2019 Barfoot ..... D22/108  
 D845,423 S \* 4/2019 Barfoot ..... D22/108  
 D868,929 S \* 12/2019 Barfoot ..... D22/108  
 D868,930 S \* 12/2019 Barfoot ..... D22/108  
 D871,538 S \* 12/2019 Barfoot ..... D22/108  
 10,551,138 B1 \* 2/2020 Sessions ..... F41A 11/04  
 D879,234 S \* 3/2020 Barfoot ..... D22/108  
 D880,643 S \* 4/2020 Weiss ..... D22/108  
 D882,015 S \* 4/2020 Juarez ..... D22/108  
 D899,549 S \* 10/2020 Hu ..... D22/111  
 D900,271 S \* 10/2020 Faifer ..... D22/108  
 D905,191 S \* 12/2020 Kronengold ..... D22/108  
 10,895,428 B2 \* 1/2021 Sessions ..... F41A 11/00  
 10,982,928 B2 \* 4/2021 Fiester ..... F41G 11/001  
 D926,912 S \* 8/2021 McLeroy ..... D22/108  
 2021/0140738 A1 \* 5/2021 Lynch ..... F41C 23/22

OTHER PUBLICATIONS

Smola, Travis. “8 Great Takedown Rifles for Backpacking, Bugout and More” Wideopenspaces.com posted: Jan. 13, 2021 [visited: Aug. 27, 2021] URL: <https://www.wideopenspaces.com/8-great-takedown-rifles-for-backpacking-bugout-and-more/> (Year: 2021).\*

Sadowski, Robert A. “16 Specialty Bug-Out Rifles Built for Stow-and-Go” Tactical Life posted: Dec. 21, 2015 [visited: Aug. 27, 2021] URL: <https://www.tactical-life.com/firearms/16-specialty-bug-out-rifles/> (Year: 2015).\*

Magpul Industries, Corp., “PC Backpacker Stock-Ruger PC Carbine”, “Known to exist as early as Jan. 17, 2020”, p. 3, Retrieved from <https://magpul.com/ruger-pc-carbine-backpacker-stock.html> on Jan. 29, 2020.

Sturm, Ruger & Co., Inc., “PC Carbine”, “Known to exist as early as Sep. 13, 2019”, p. 4, Retrieved from <https://ruger.com/products/pcCarbine/models.html> on Jan. 29, 2020.

Magpul Industries Corp., “X-22 Backpacker Stock—Ruger 10/22 Takedown”, “Known to exist as early as Jan. 10, 2017”, p. 4, Publisher: Retrieved from [https://magpul.com/hunterx-22backpackerstock-ruger10-22takedown.html?mp\\_global\\_color=118](https://magpul.com/hunterx-22backpackerstock-ruger10-22takedown.html?mp_global_color=118) on Jan. 29, 2020.

\* cited by examiner

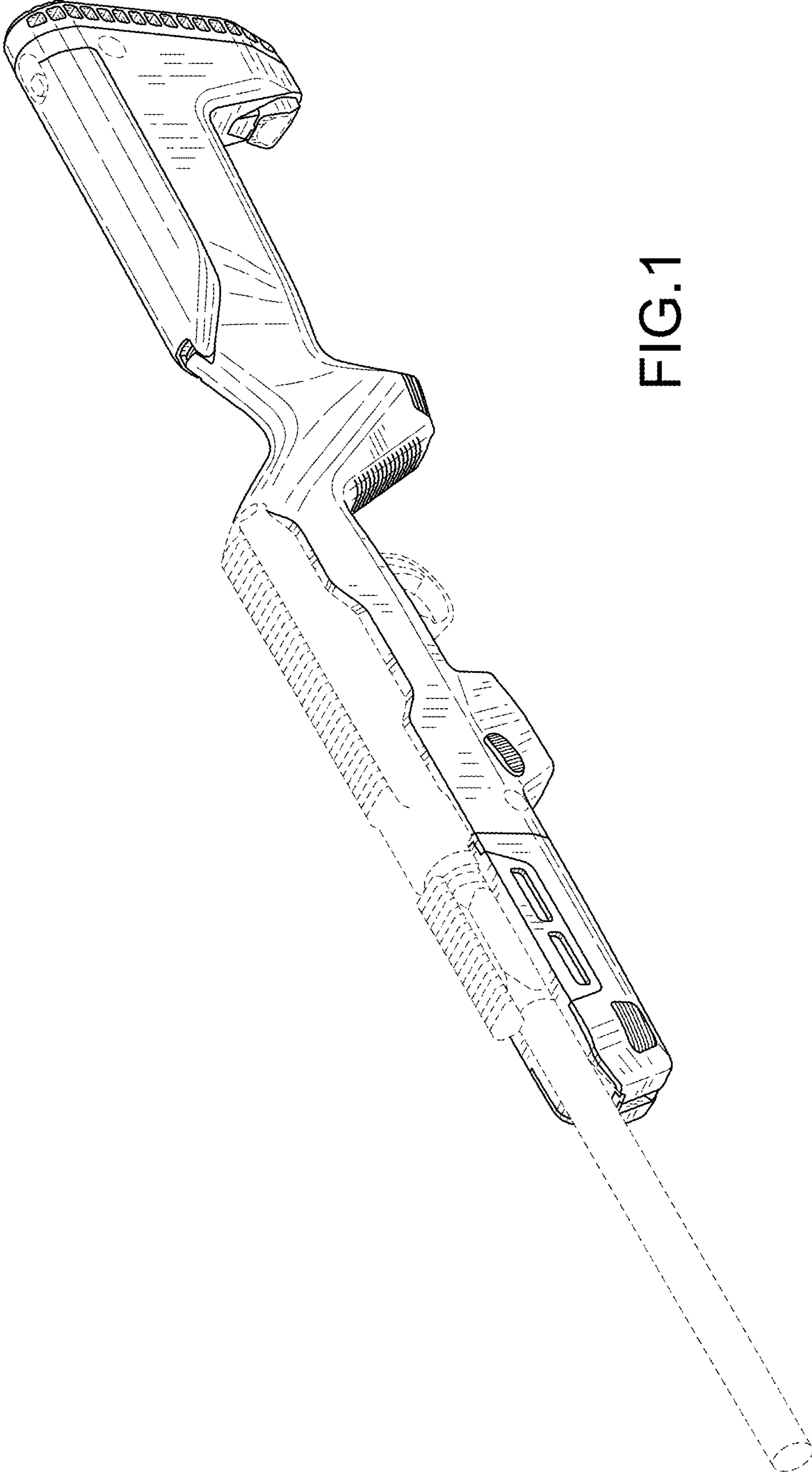


FIG.1



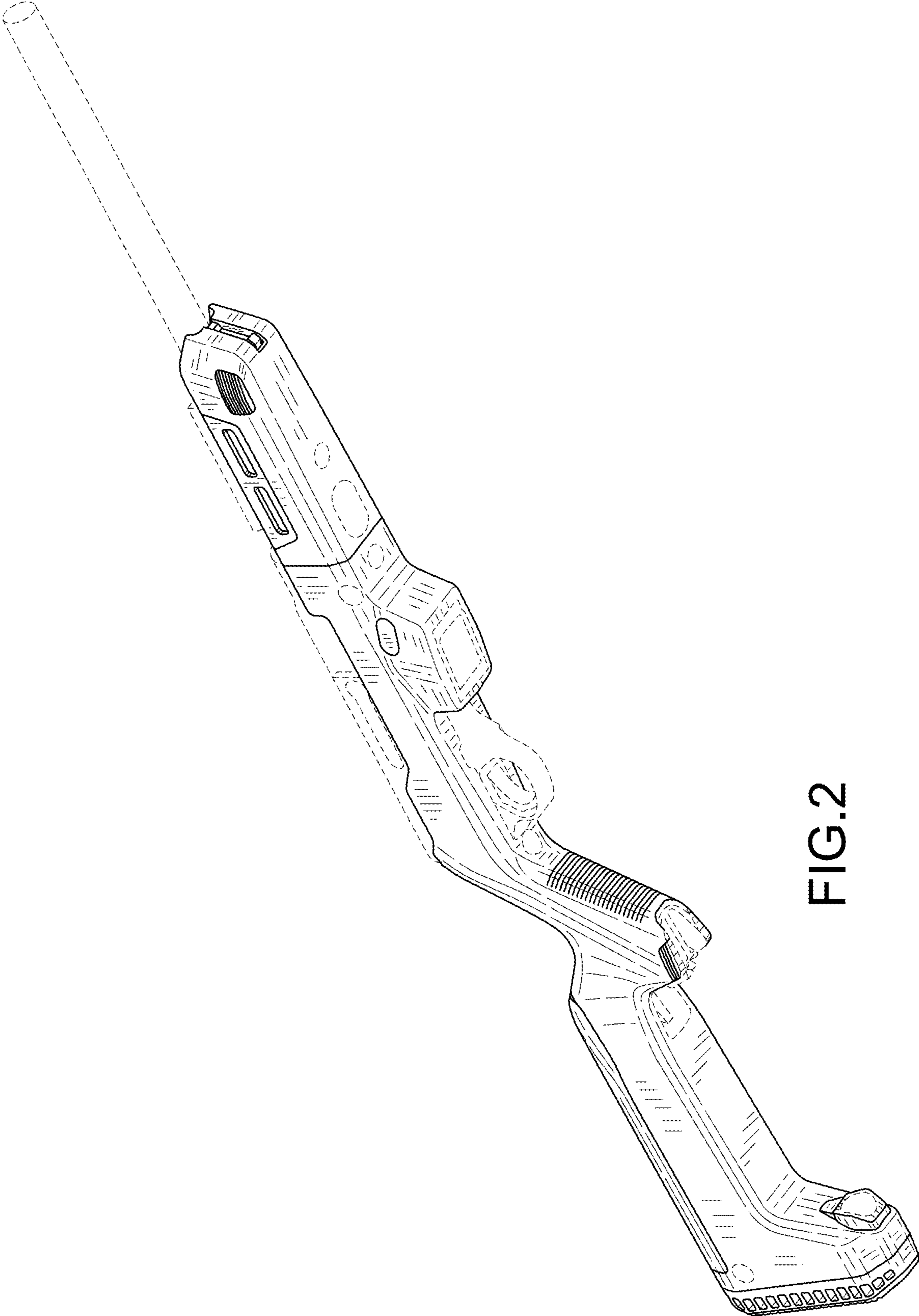


FIG.2

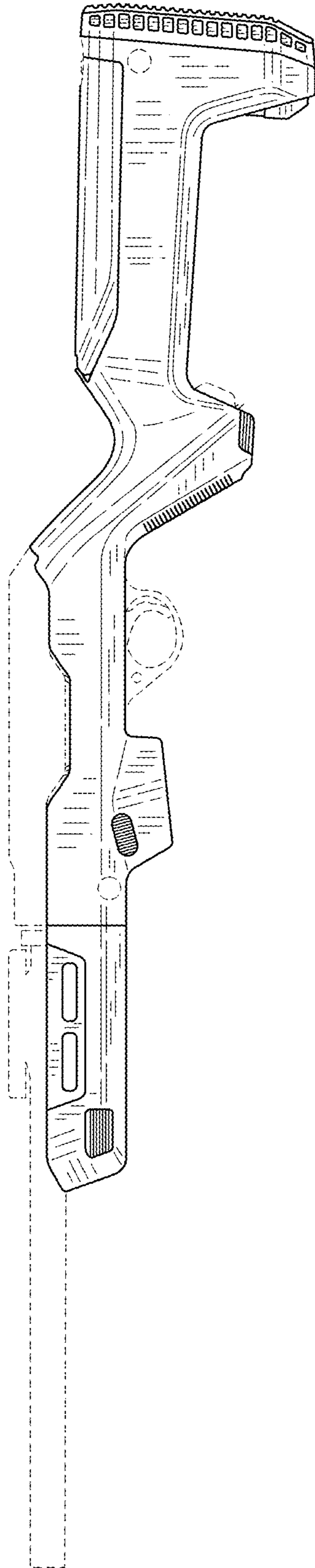


FIG.3

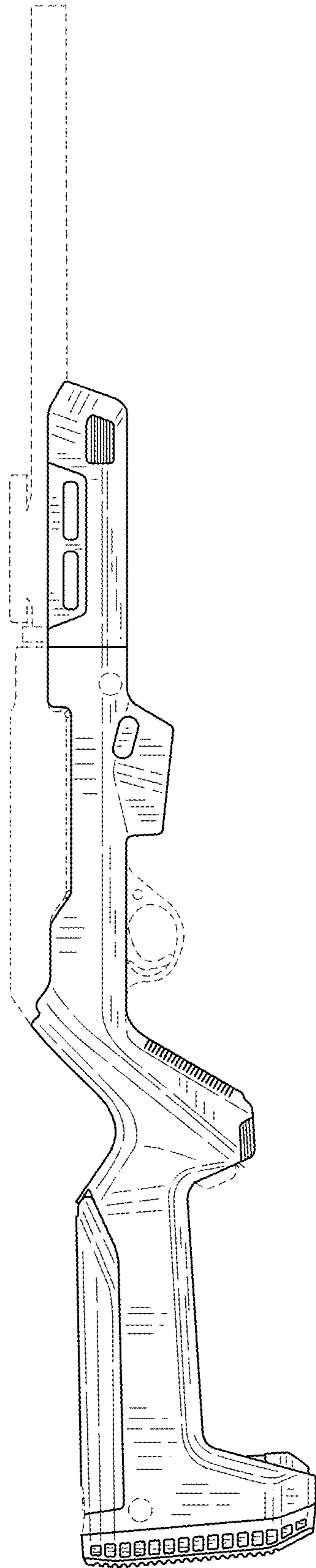


FIG.4

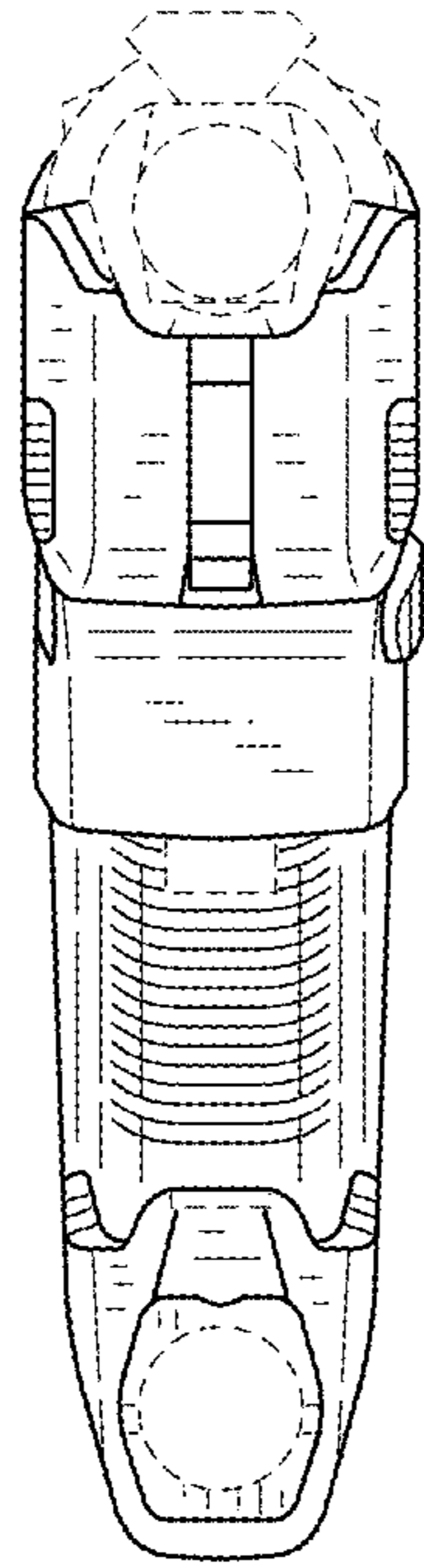


FIG.5

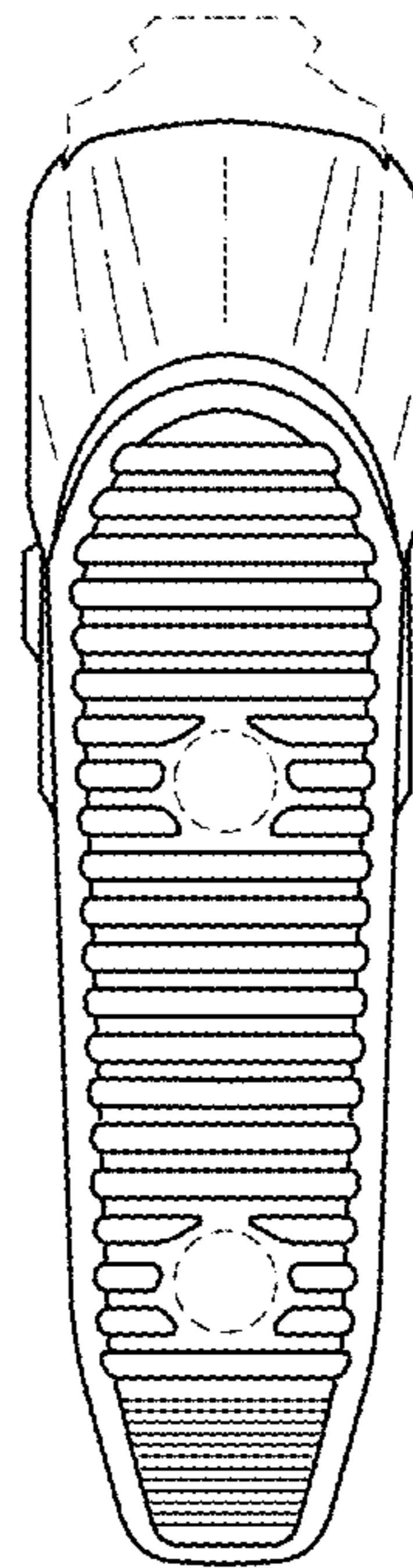


FIG.6

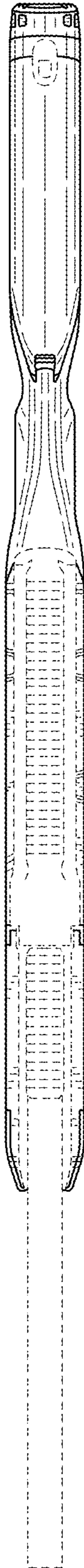


FIG. 7





FIG.8

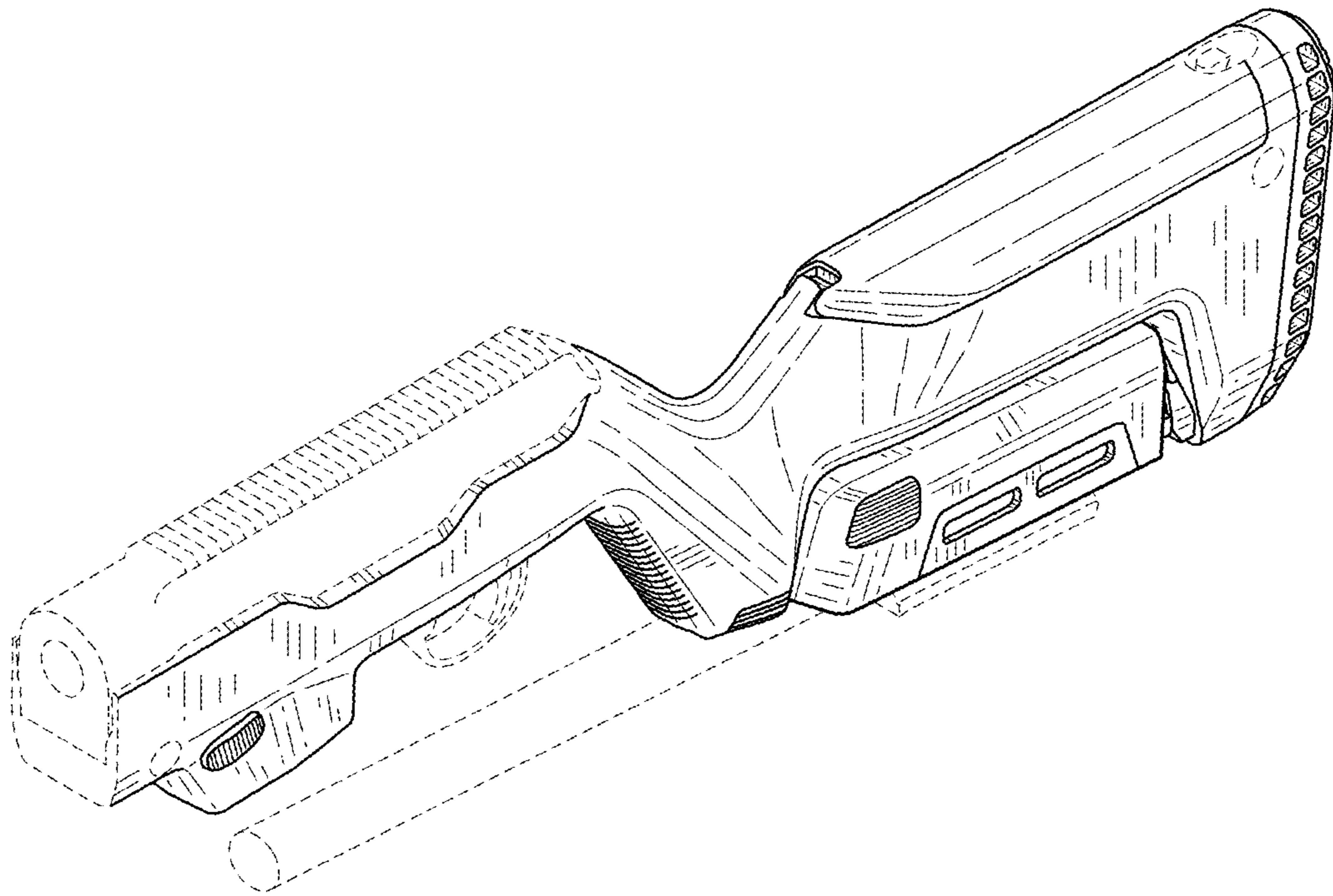


FIG.9

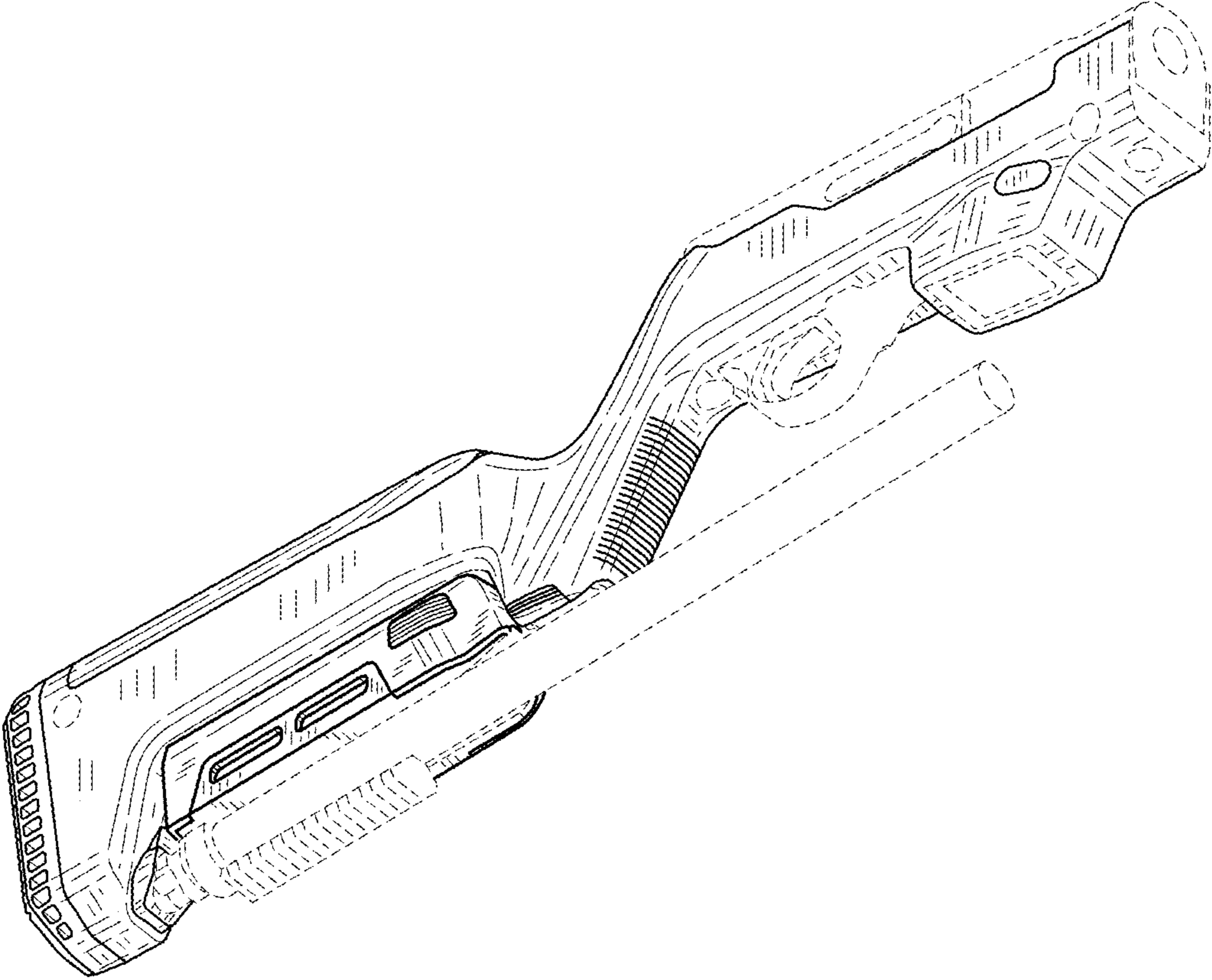


FIG.10