



US00D961712S

(12) **United States Design Patent** (10) **Patent No.:** **US D961,712 S**  
**Qiu** (45) **Date of Patent:** **\*\* Aug. 23, 2022**

- (54) **PLAYPEN**
- (71) Applicant: **Meridian(Changzhou) International Trading Co., LTD**, Changzhou (CN)
- (72) Inventor: **Xichao Qiu**, Shanghai (CN)
- (\*\*) Term: **15 Years**
- (21) Appl. No.: **29/781,281**
- (22) Filed: **Apr. 29, 2021**
- (51) **LOC (13) Cl.** ..... **21-04**
- (52) **U.S. Cl.**  
USPC ..... **D21/834; D6/331**
- (58) **Field of Classification Search**  
USPC ..... D21/834-839; D25/56; D6/331  
CPC ..... E04H 15/00; E04H 15/003; E04H 15/18;  
E04H 15/32; E04H 15/34; E04H 15/36;  
E04H 15/40; E04H 15/42; E04H 15/425;  
E04H 15/405; E04H 15/44; E04H 15/52  
See application file for complete search history.

(56) **References Cited**

**U.S. PATENT DOCUMENTS**

4,739,527	A *	4/1988	Kohus	.....	A47D 13/066
					5/99.1
D680,760	S	4/2013	Hsu		
D858,676	S *	9/2019	Xu	.....	D21/834
D862,913	S *	10/2019	Jin	.....	D6/331
D864,333	S *	10/2019	Wu	.....	D21/834
D880,172	S *	4/2020	Wright	.....	D6/331
D906,699	S *	1/2021	Healy	.....	D6/331
D930,373	S *	9/2021	Zhang	.....	D21/834
2005/0166316	A1 *	8/2005	Gehr	.....	A47D 13/063
					5/99.1
2007/0215192	A1 *	9/2007	Hoffman	.....	E04H 15/38
					52/75

**OTHER PUBLICATIONS**

Pop 'N Go Baby Playpen, Reviewed and available online as early as Apr. 22, 2021 [online], [site visited Apr. 22, 2022]. Available

from Internet: <URL:https://www.amazon.com/dp/B087SNN5DG/> (Year: 2021).\*  
Alvantor Playpen, Reviewed and available online as early as May 15, 2020 [online], [site visited Apr. 22, 2022]. Available from Internet: <URL:https://www.amazon.com/dp/B082XVK494/> (Year: 2020).\*

(Continued)

*Primary Examiner* — Cynthia M. Chin

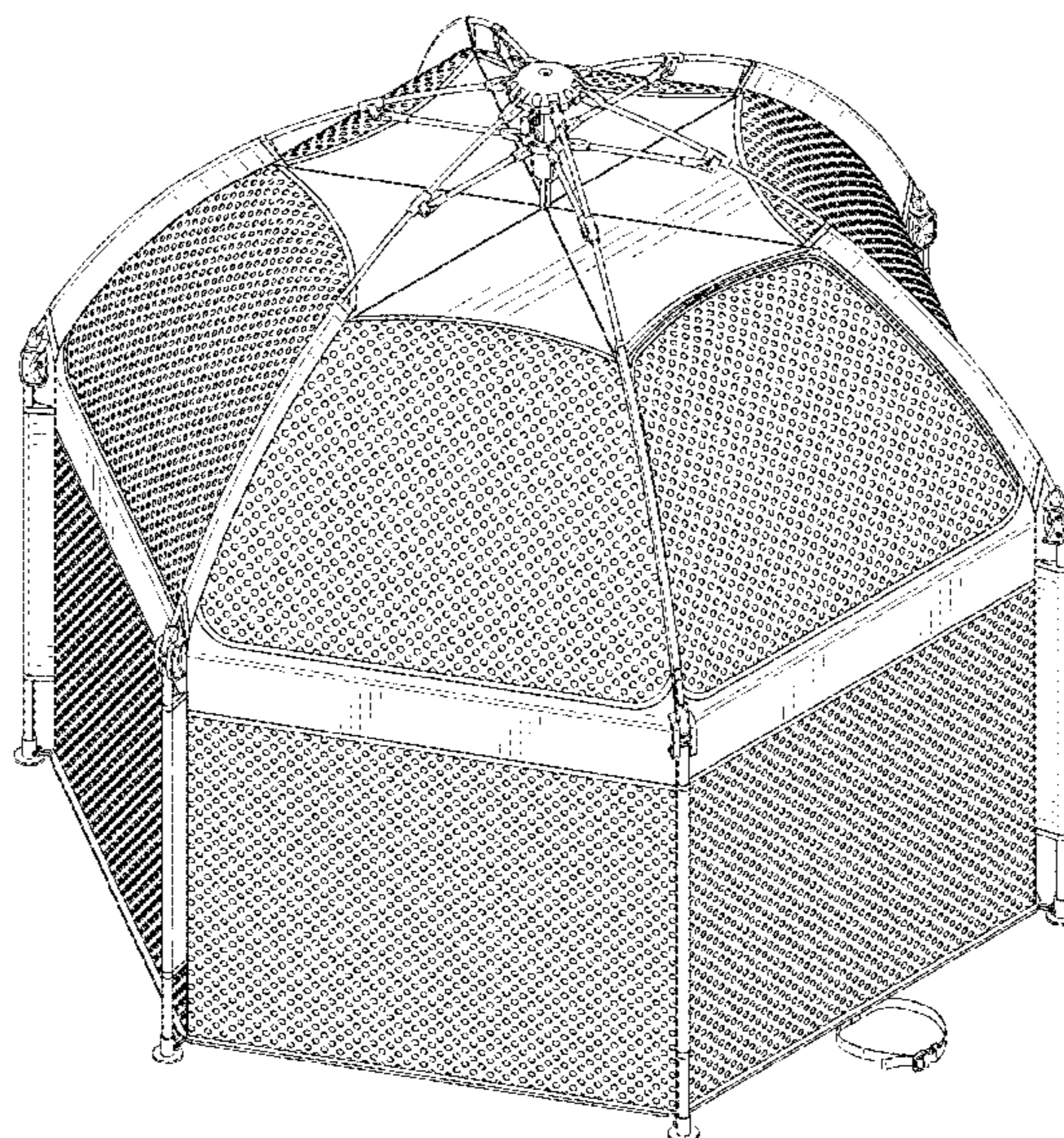
(57) **CLAIM**

The ornamental design for a playpen, as shown and described.

**DESCRIPTION**

FIG. 1 is a front and top perspective view of a playpen, showing my new design;  
 FIG. 2 is a rear and bottom perspective view thereof;  
 FIG. 3 is a front elevation view thereof;  
 FIG. 4 is a rear elevation view thereof;  
 FIG. 5 is a left side elevation view thereof;  
 FIG. 6 is a right side elevation view thereof;  
 FIG. 7 is a top plan view thereof;  
 FIG. 8 is a bottom plan view thereof;  
 FIG. 9 is an enlarged partial view of the hub portion taken from the top of FIG. 1;  
 FIG. 10 is an enlarged partial view of the cover taken from the top of FIG. 1;  
 FIG. 11 is an enlarged partial of the folding hinge taken from the right side of FIG. 1;  
 FIG. 12 is an enlarged partial of the strap taken from the bottom of FIG. 1; and,  
 FIG. 13 is an enlarged partial view of area above the door taken from FIG. 2.  
 The dash-dot broken lines represent the boundaries of the enlarged partial views of FIGS. 9-13 and form no part of the claimed design.

**1 Claim, 13 Drawing Sheets**



(56)

**References Cited**

OTHER PUBLICATIONS

Bend River Baby Playpen, Reviewed and available online as early as Nov. 18, 2020 [online], [site visited Apr. 22, 2022]. Available from Internet: <URL:<https://www.amazon.com/dp/B08D6374FP/>> (Year: 2020).\*

\* cited by examiner

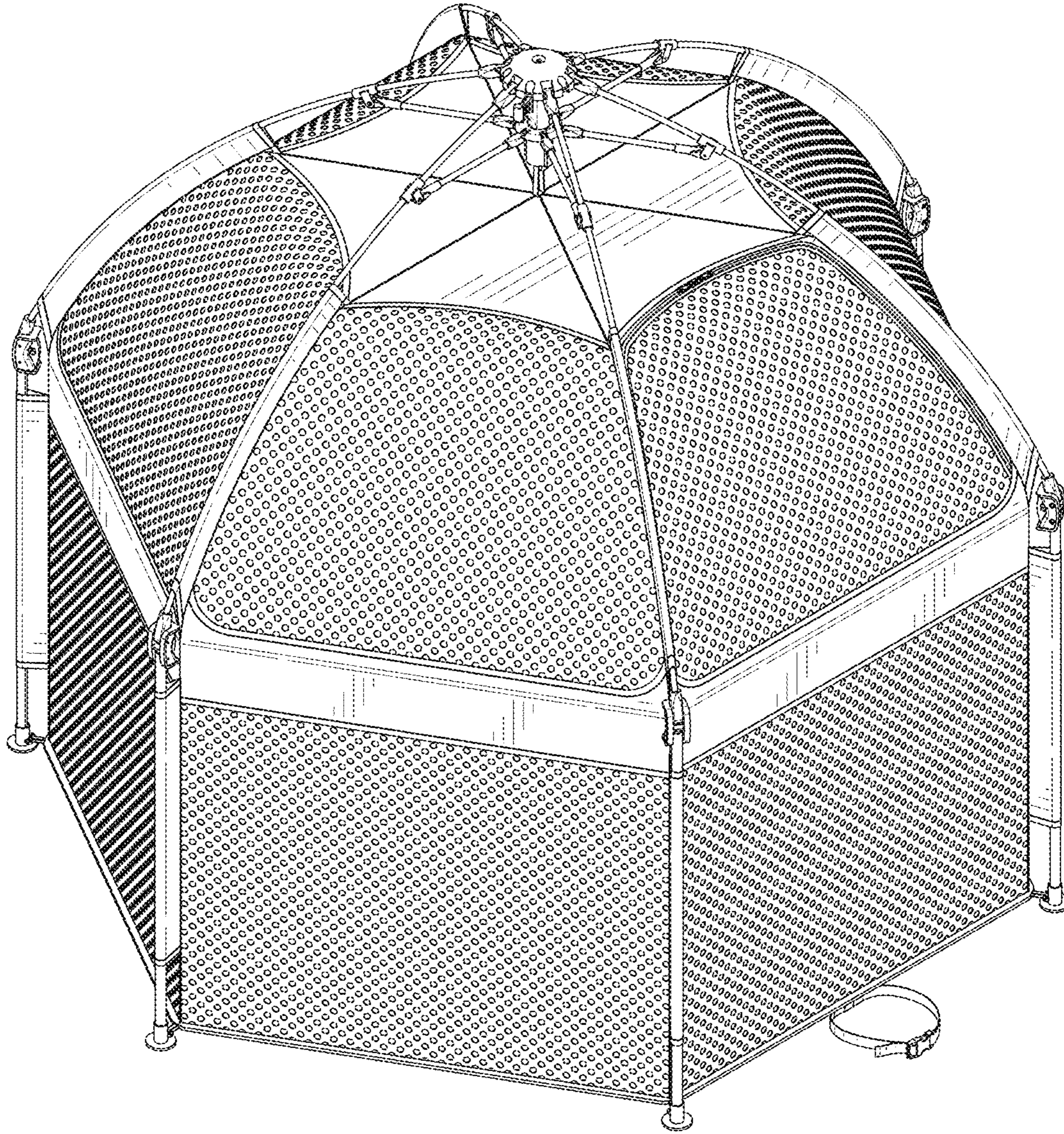


FIG. 1

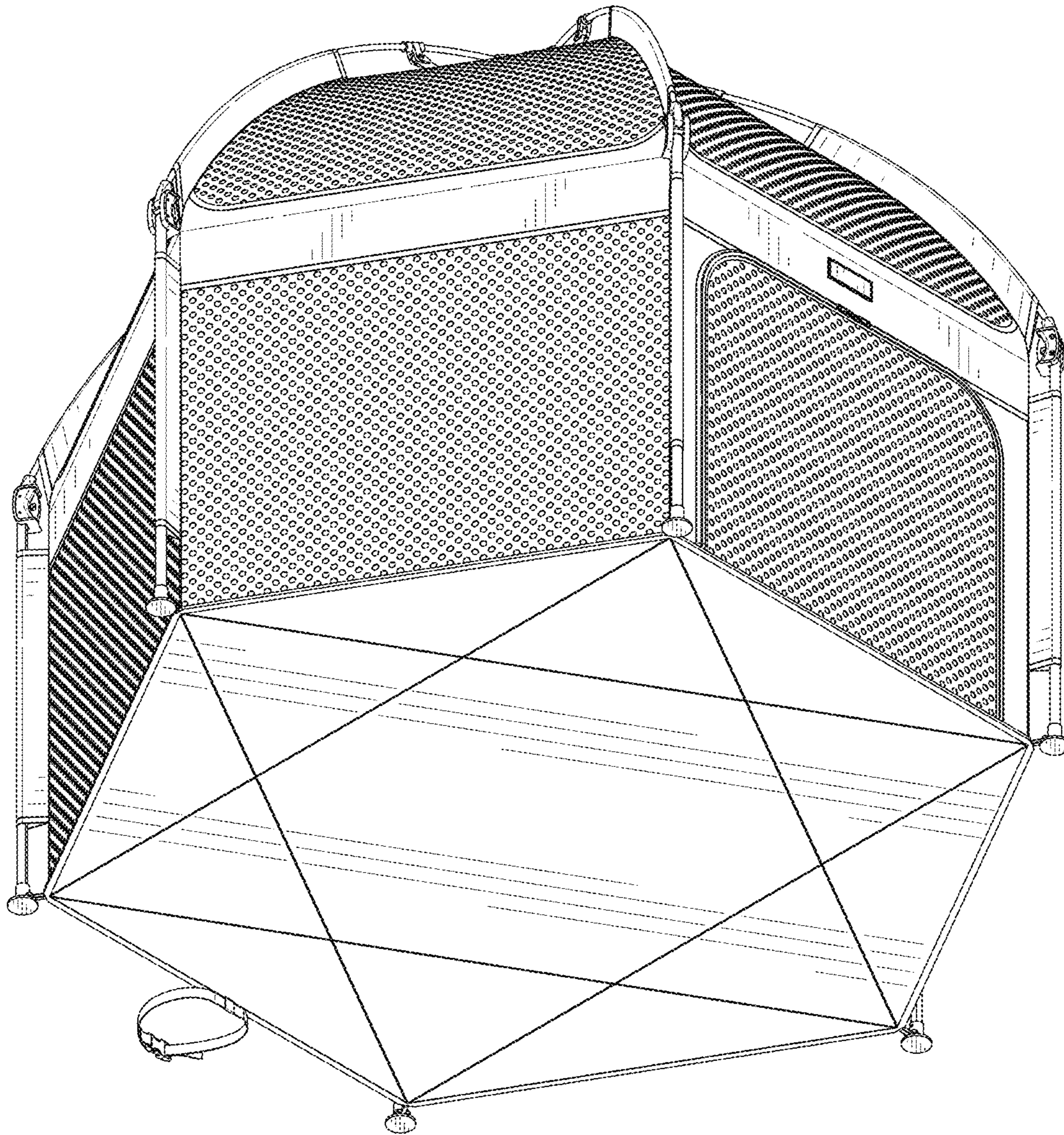


FIG. 2

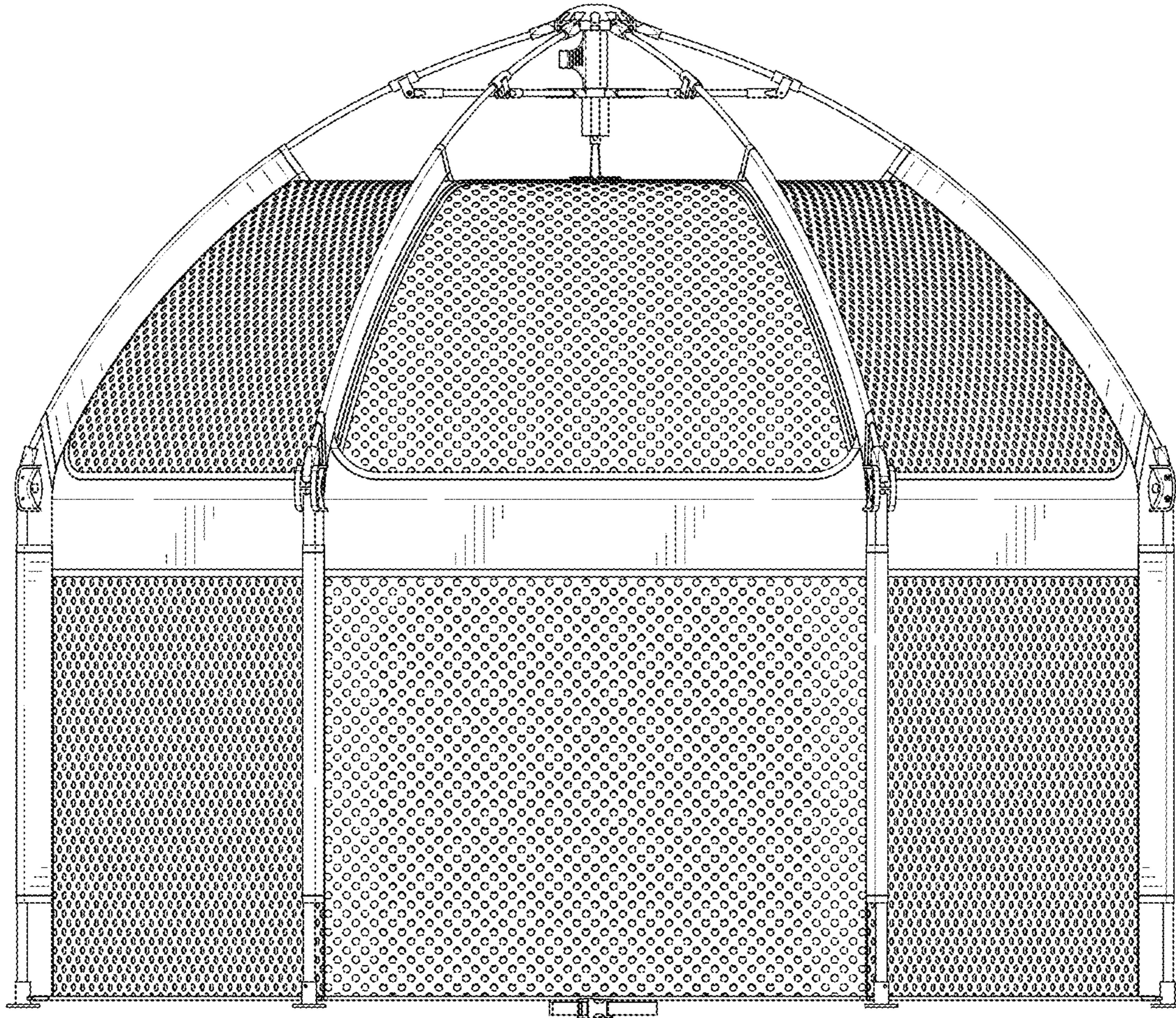


FIG. 3

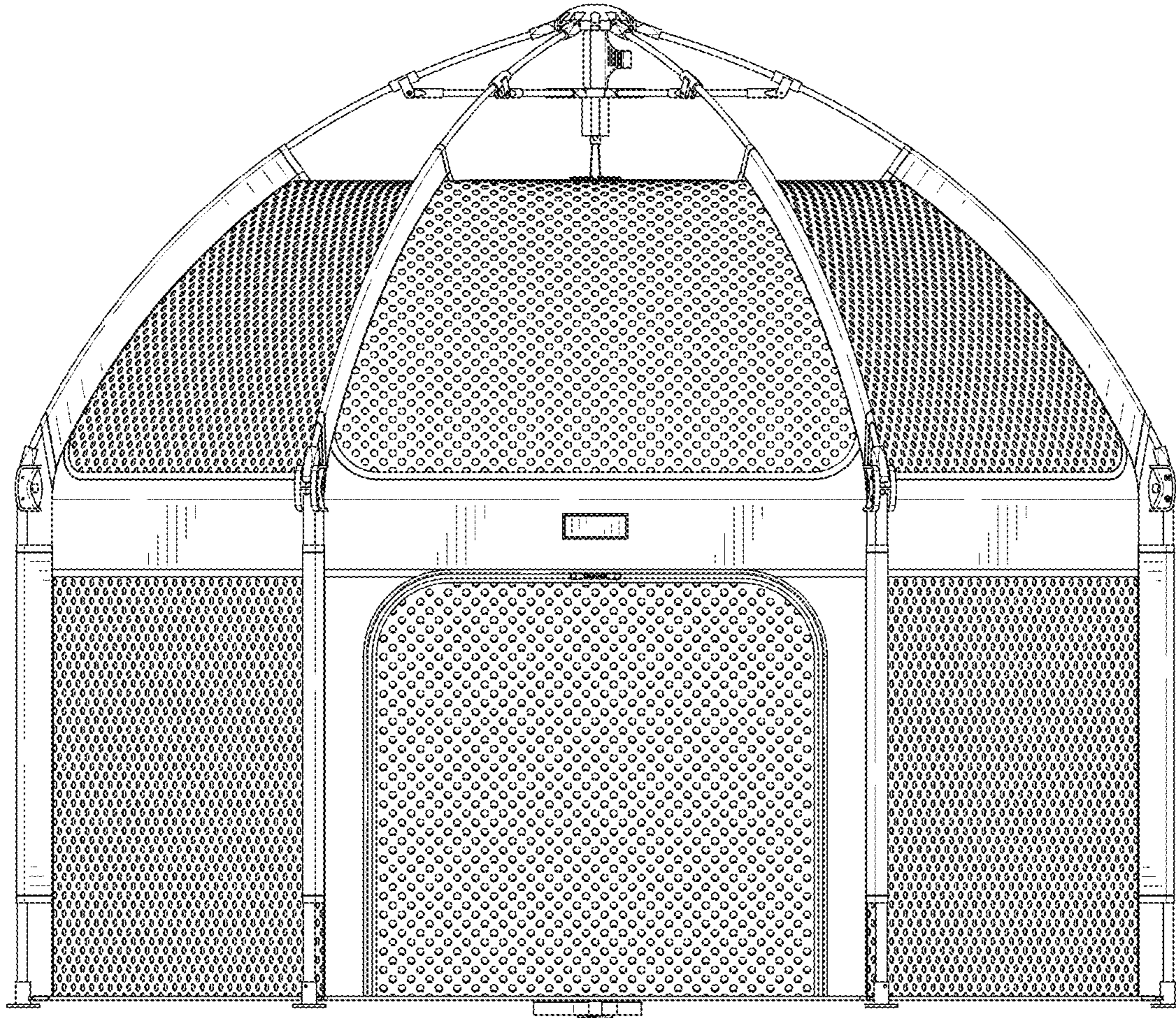


FIG. 4

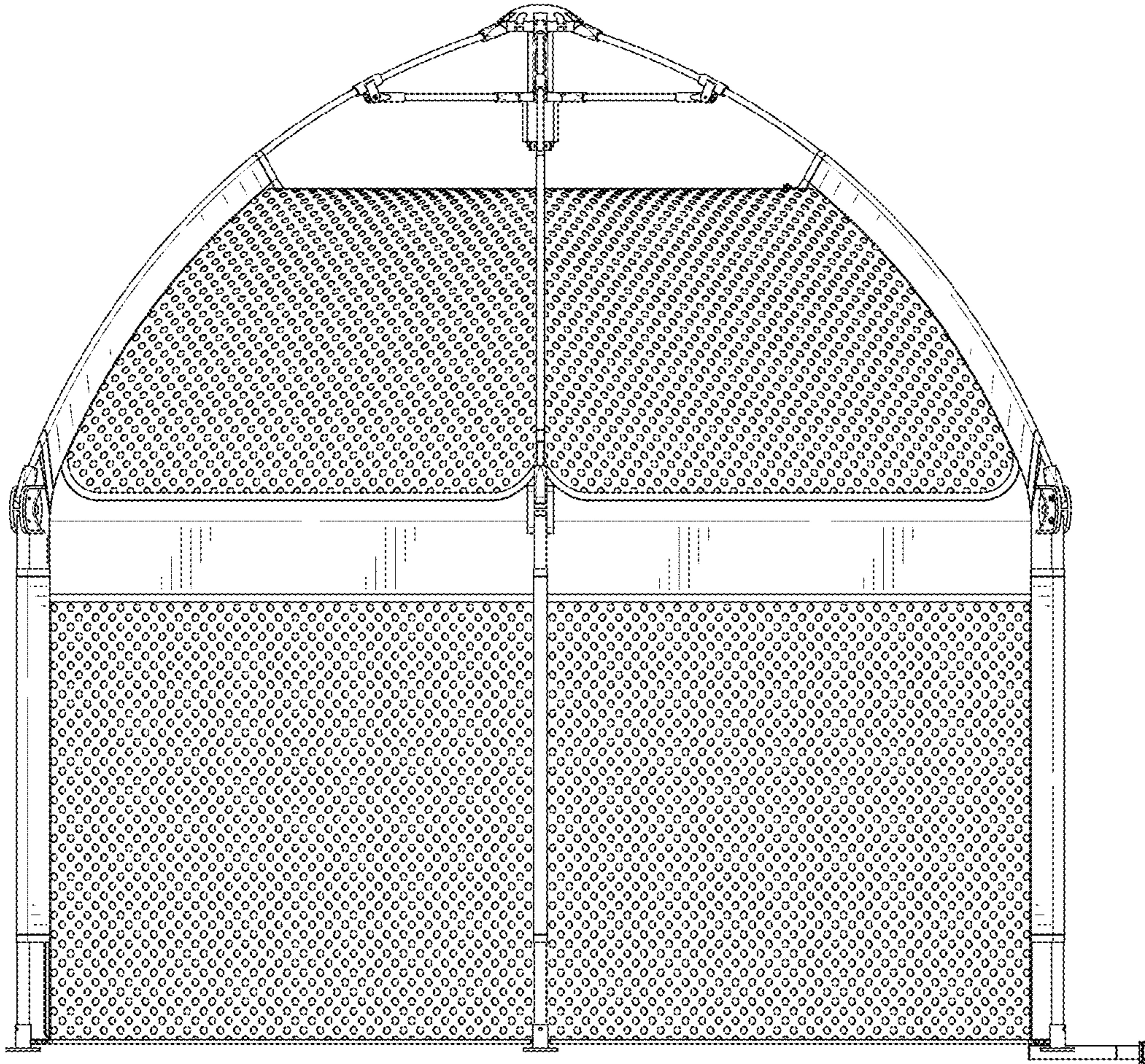


FIG. 5

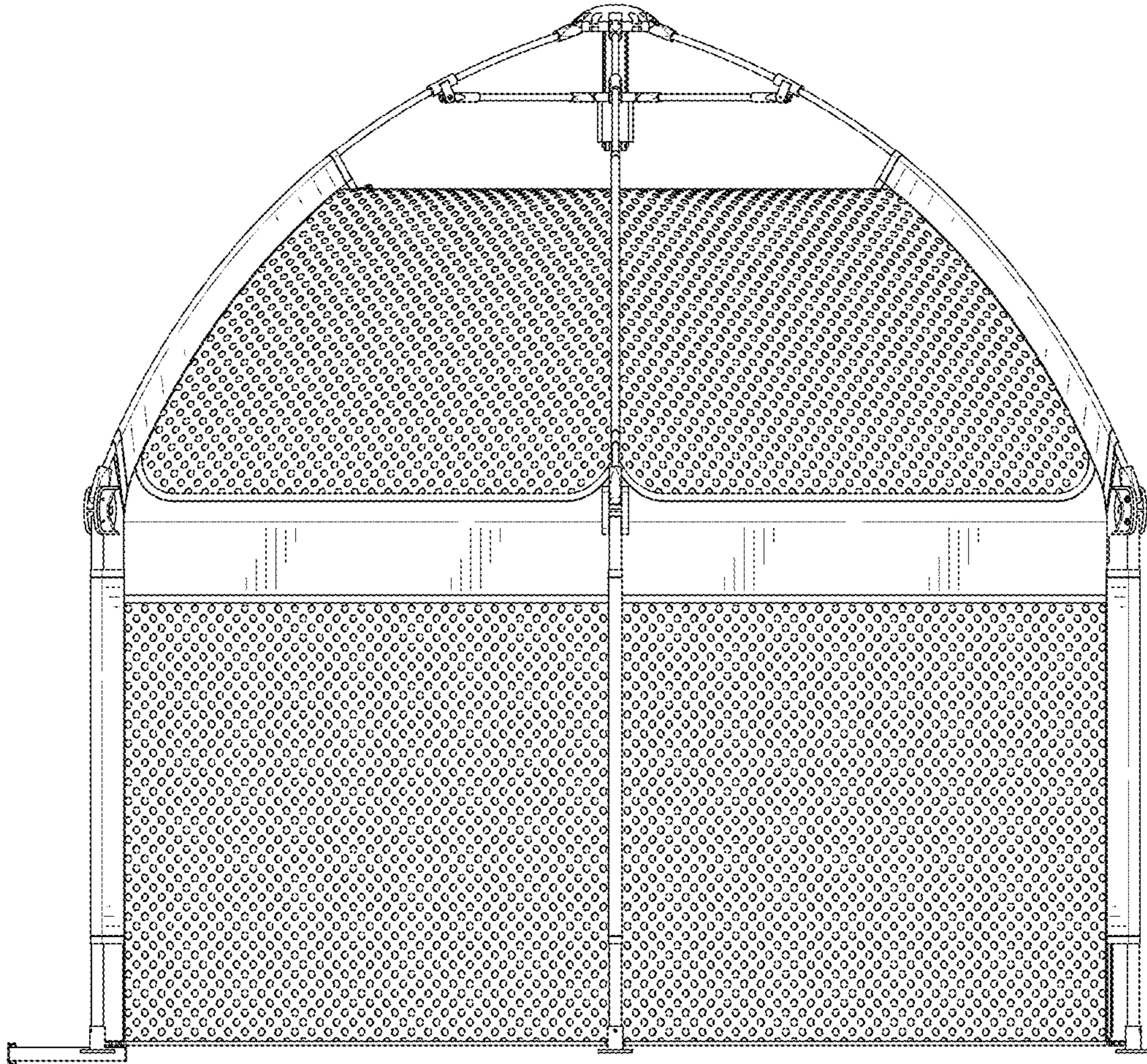


FIG. 6



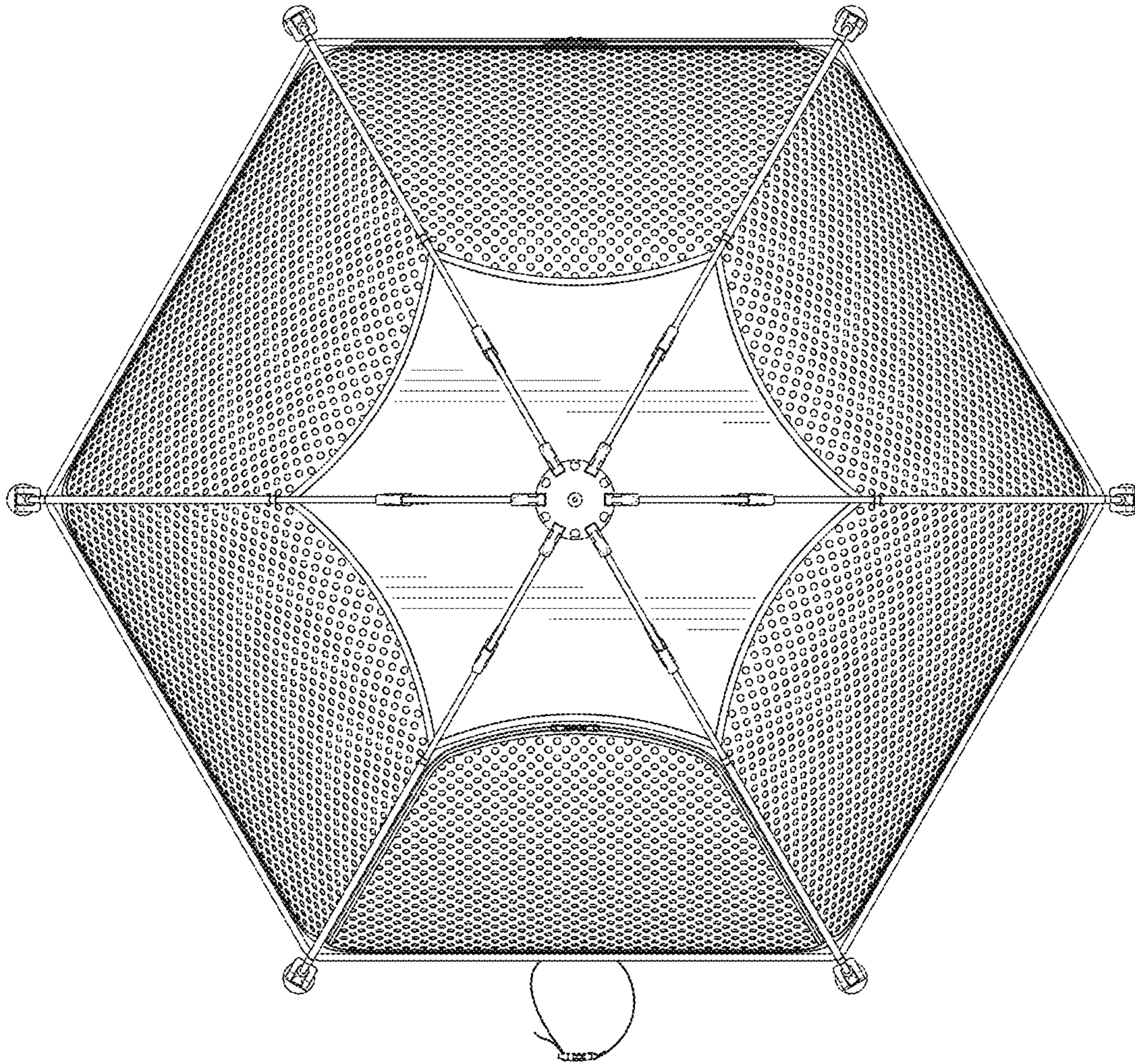


FIG. 7

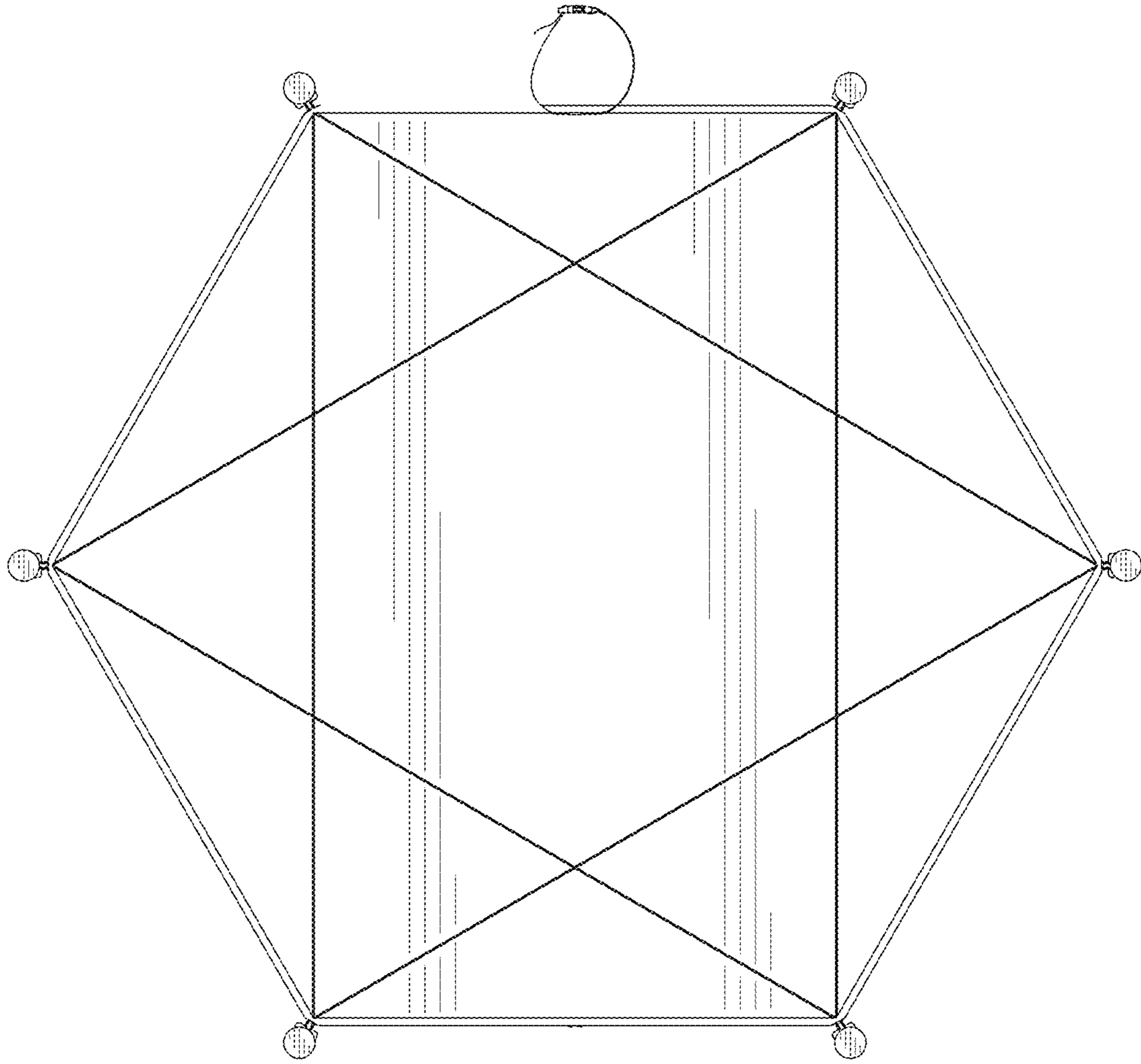


FIG. 8

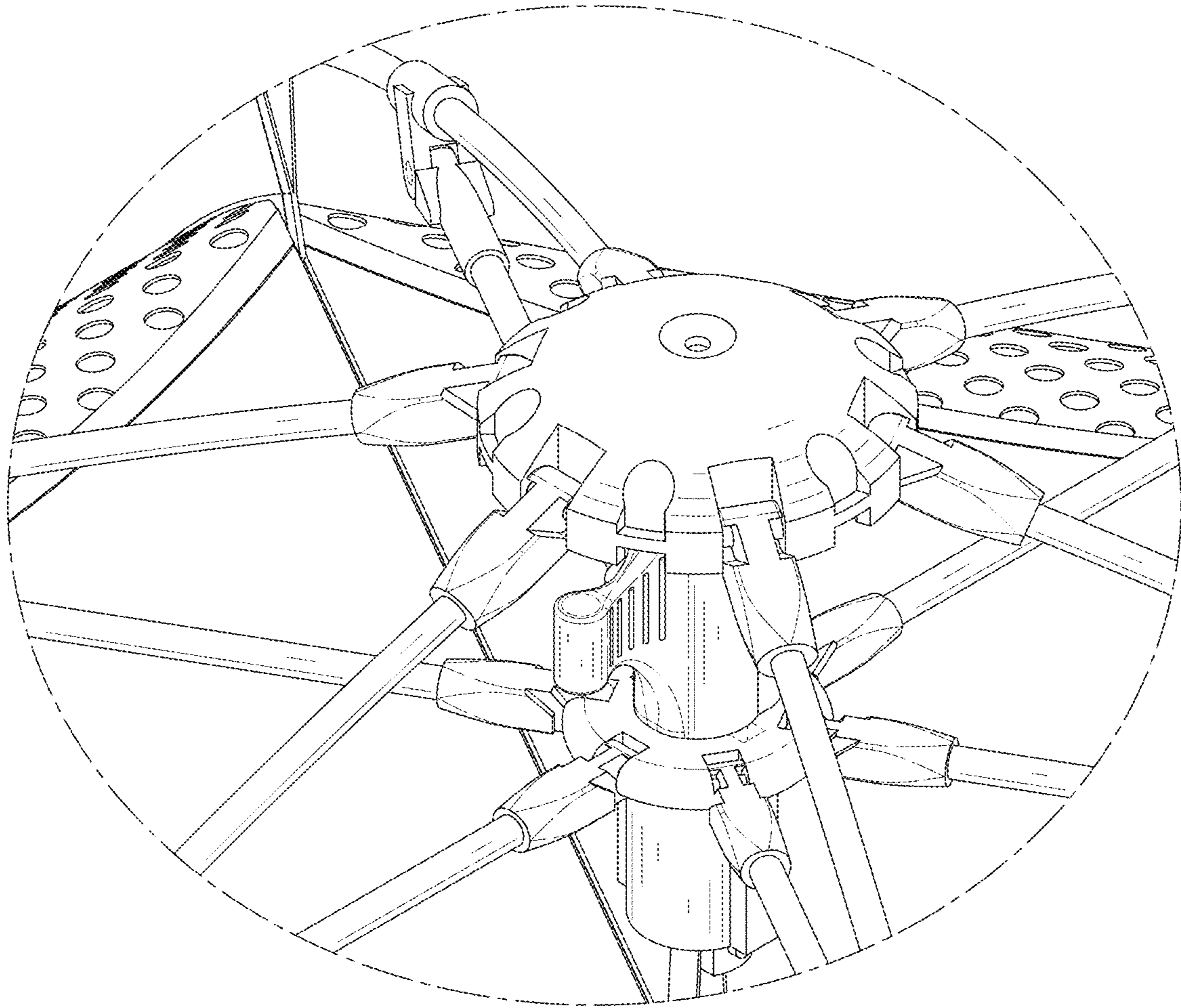


FIG. 9

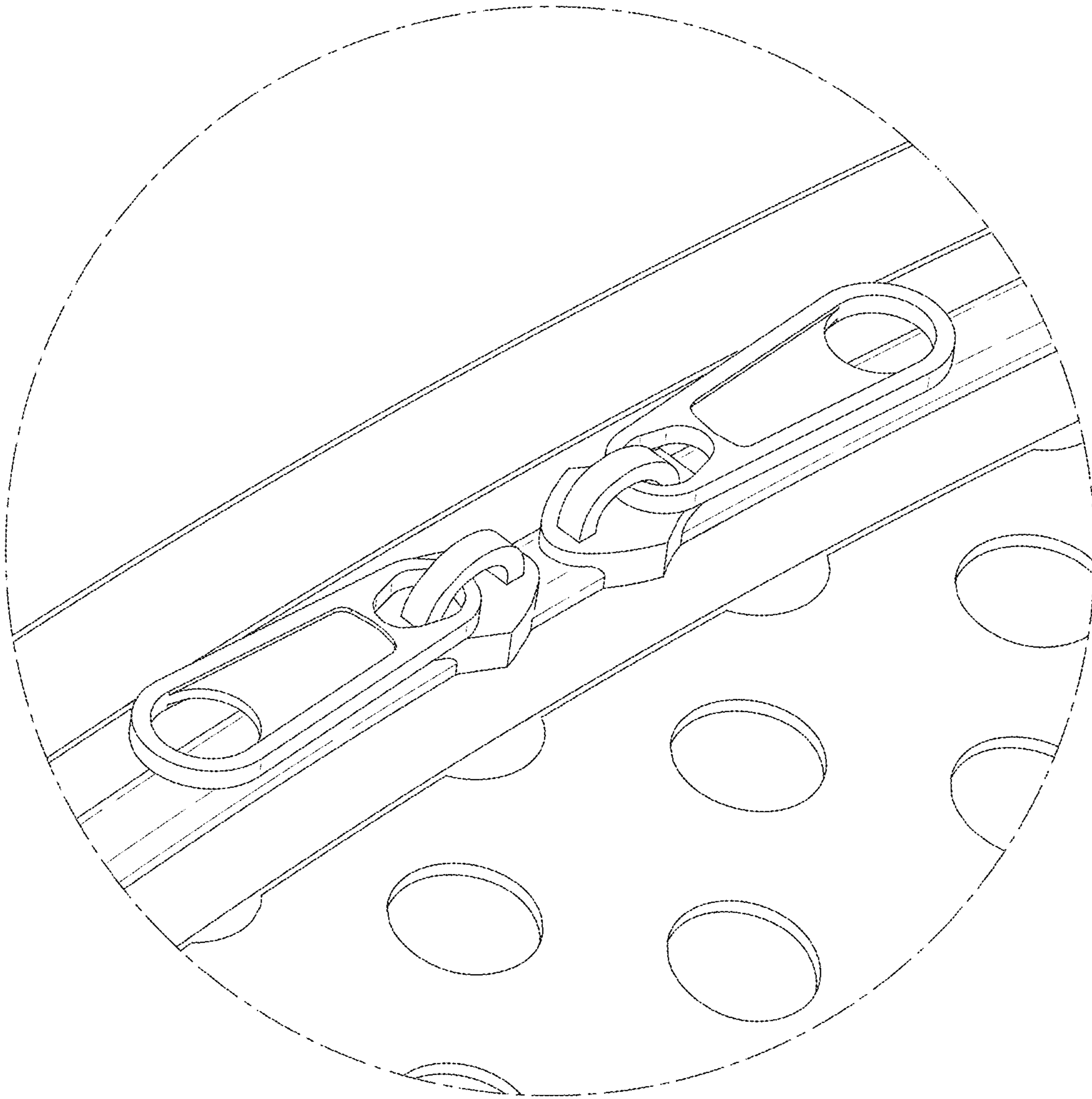


FIG. 10

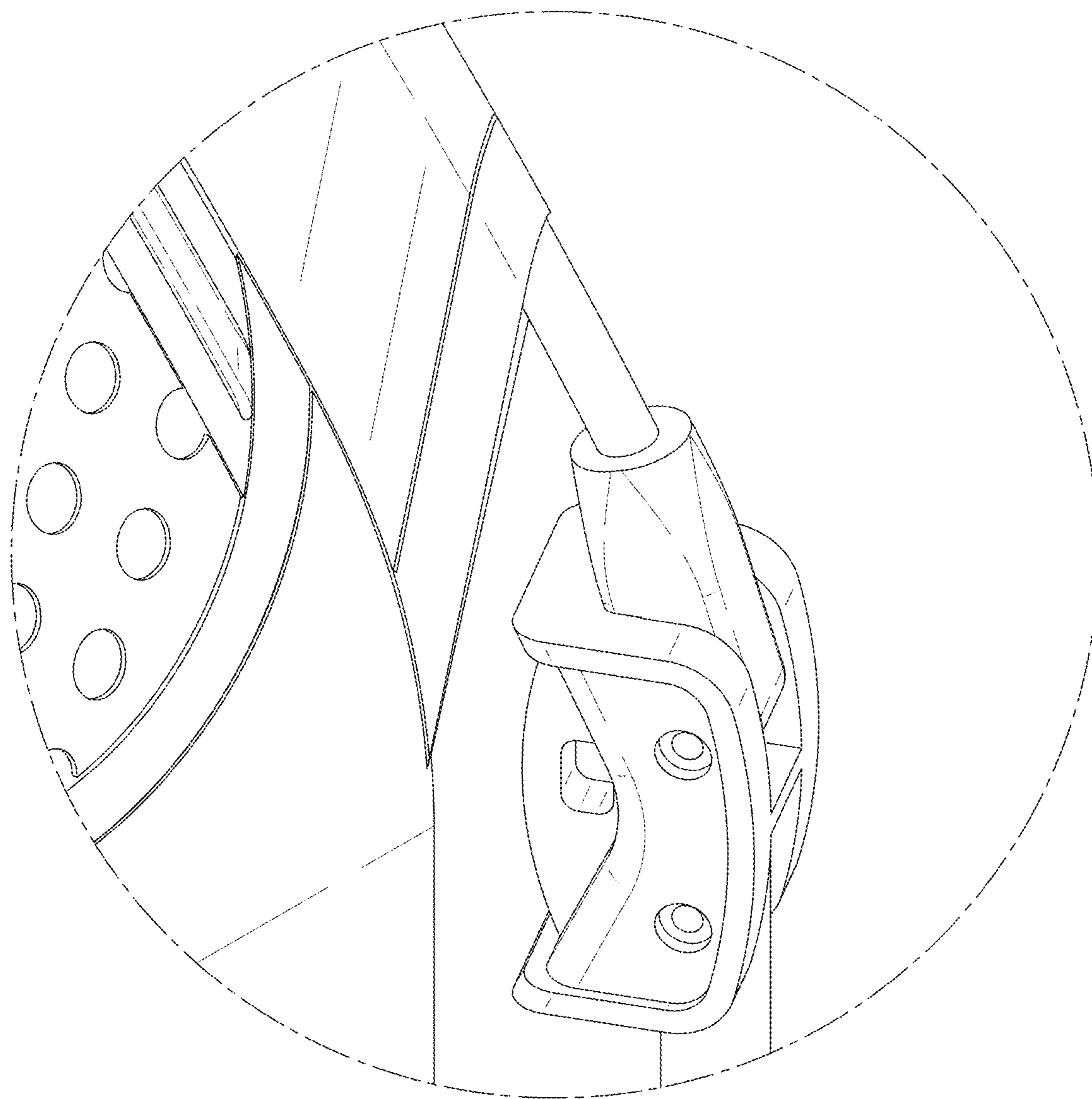


FIG. 11

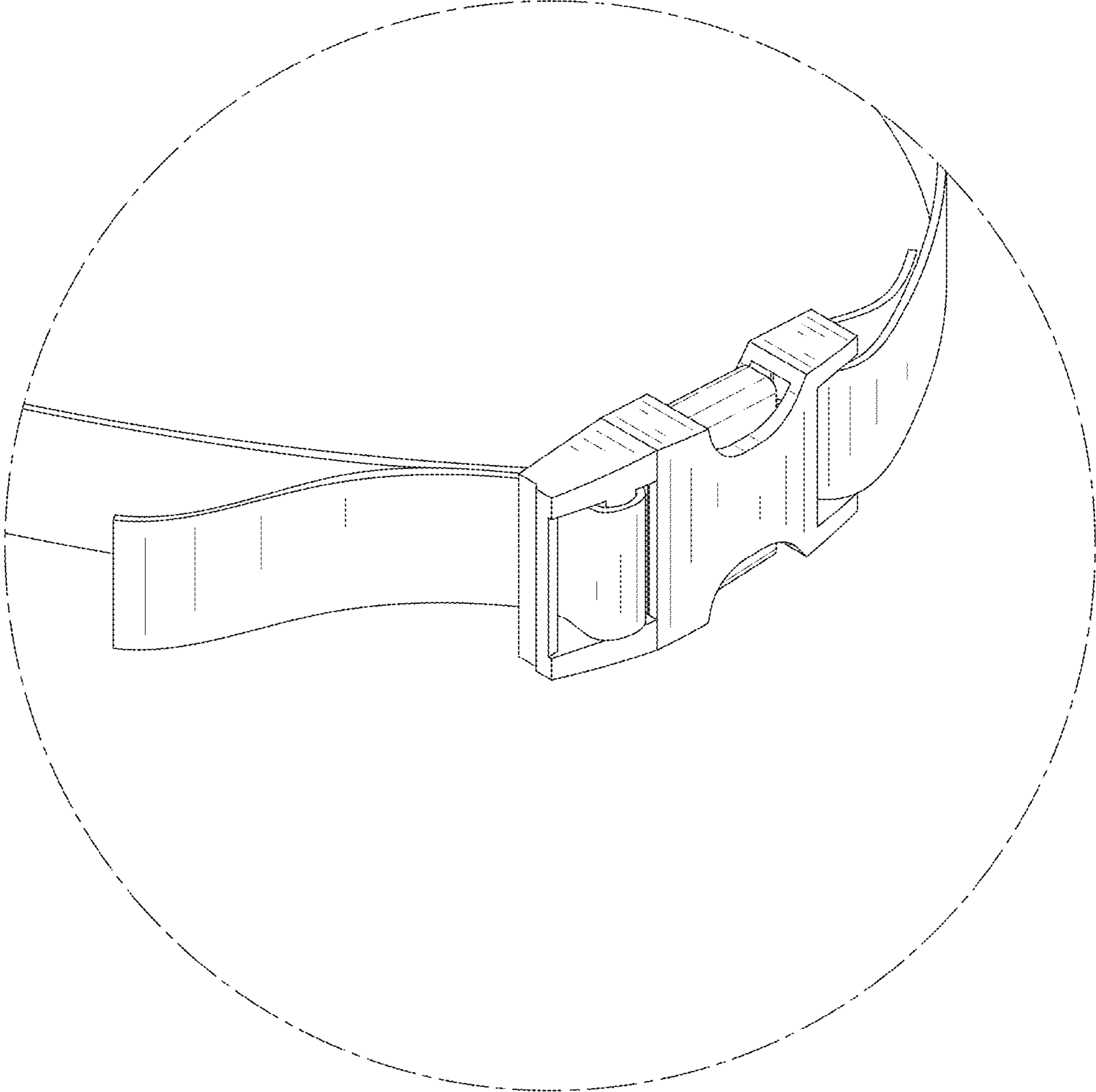


FIG. 12

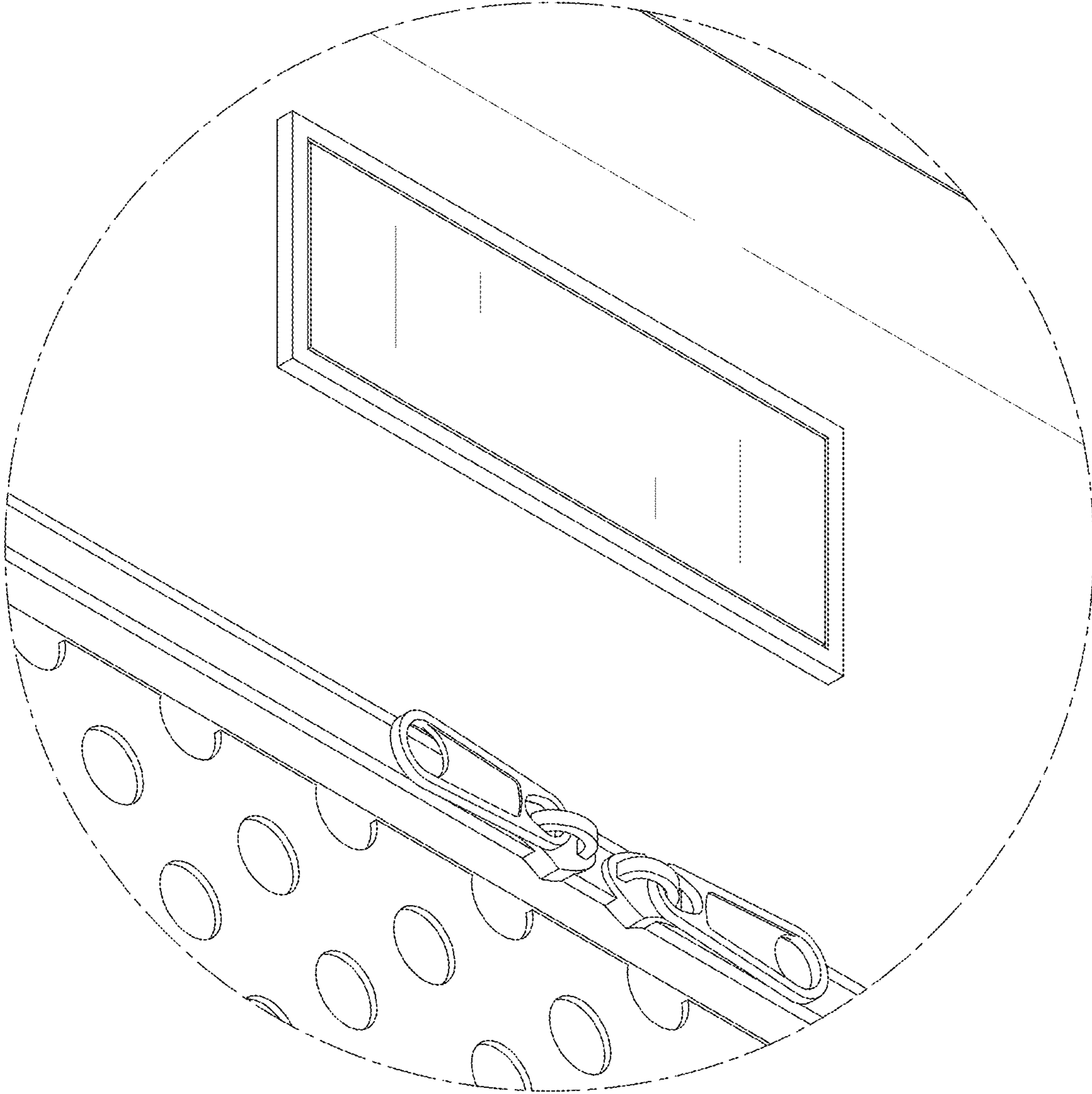


FIG. 13