



US00D961708S

(12) **United States Design Patent** (10) **Patent No.:** **US D961,708 S**
Parsons et al. (45) **Date of Patent:** **** Aug. 23, 2022**

(54) **GOLF CLUB HEAD**

(56) **References Cited**

(71) Applicant: **PARSONS XTREME GOLF, LLC**,
Scottsdale, AZ (US)

(72) Inventors: **Robert R. Parsons**, Scottsdale, AZ
(US); **Michael R. Nicolette**, Scottsdale,
AZ (US); **Bradley D. Schweigert**, Cave
Creek, AZ (US)

(73) Assignee: **PARSONS XTREME GOLF, LLC**,
Scottsdale, AZ (US)

(**) Term: **15 Years**

(21) Appl. No.: **29/812,322**

(22) Filed: **Oct. 20, 2021**

U.S. PATENT DOCUMENTS

1,133,129 A * 3/1915 Govan A63B 53/0466
473/337
D164,469 S 9/1951 Behrendt
D175,107 S 7/1955 Gordon
3,020,048 A 2/1962 Carroll
D203,936 S 3/1966 Long
D215,101 S 9/1969 Sabat
D234,963 S 4/1975 Hirata
D239,550 S 4/1976 Timbrook
D240,054 S 5/1976 Meissler
D244,792 S 6/1977 Gelinas
D250,136 S 10/1978 Gelinas

(Continued)

OTHER PUBLICATIONS

Pxg irons google search; google.com; Jun. 30, 2022.*
(Continued)

Primary Examiner — Mitchell I. Siegel

Related U.S. Application Data

(63) Continuation of application No. 29/787,023, filed on
Jun. 3, 2021, now Pat. No. Des. 935,542, which is a
continuation-in-part of application No. 29/767,421,
filed on Jan. 22, 2021, now Pat. No. Des. 922,506,
which is a continuation-in-part of application No.
29/745,151, filed on Aug. 4, 2020, now Pat. No. Des.
916,220.

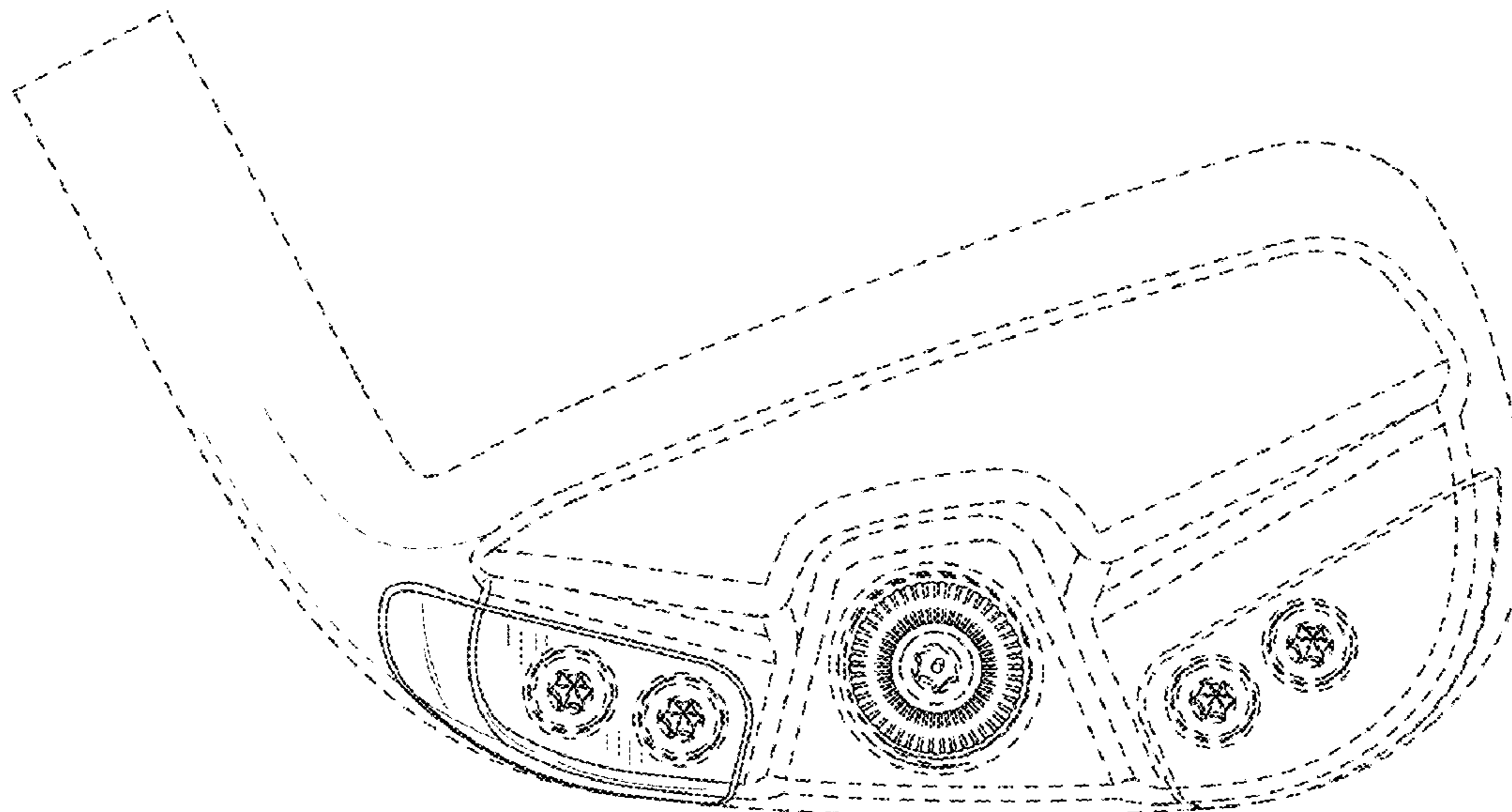
(51) **LOC (13) Cl.** **21-02**
(52) **U.S. Cl.**
USPC **D21/759**
(58) **Field of Classification Search**
USPC D21/747-751, 759
CPC A63B 53/00; A63B 53/02; A63B 53/04;
A63B 53/047; A63B 53/0475; A63B
2053/0479; A63B 60/00; A63B 60/46;
A63B 2053/0483; A63B 2053/0445
See application file for complete search history.

(57) **CLAIM**
The ornamental design for a golf club head, as shown and
described.

DESCRIPTION

FIG. 1 is a top perspective view of a golf club head;
FIG. 2 is a bottom perspective view of the golf club head of
FIG. 1;
FIG. 3 is a front elevational view of the golf club head of
FIG. 1;
FIG. 4 is a rear elevational view of the golf club head of FIG.
1;
FIG. 5 is a top view of the golf club head of FIG. 1;
FIG. 6 is a bottom view of the golf club head of FIG. 1;
FIG. 7 is a left side view of the golf club head of FIG. 1; and,
FIG. 8 is a right side view of the golf club head of FIG. 1.
The broken lines shown on the drawings form no part of the
claimed design.

1 Claim, 4 Drawing Sheets



(56)

References Cited

U.S. PATENT DOCUMENTS

D261,167 S	10/1981	Swanson		6,923,733 B2	8/2005	Chen	
D294,617 S *	3/1988	Perkins	D21/749	D514,183 S	1/2006	Schweigert et al.	
4,754,977 A *	7/1988	Sahm	A63B 53/0466 473/337	D516,650 S	3/2006	Wolfe et al.	
4,824,116 A	4/1989	Nagamoto et al.		D518,863 S	4/2006	Motoyoshi et al.	
4,988,104 A	1/1991	Shiotani et al.		D523,501 S	6/2006	Nicolette et al.	
5,158,296 A *	10/1992	Lee	A63B 53/04 473/327	D523,917 S	6/2006	Wolfe et al.	
5,176,384 A	1/1993	Sata et al.		D524,889 S	7/2006	Yu et al.	
5,213,328 A	5/1993	Long et al.		D530,759 S	10/2006	Nicolette et al.	
D336,672 S	6/1993	Gorman		D530,760 S	10/2006	Schweigert et al.	
D353,862 S	12/1994	Saito		7,121,956 B2 *	10/2006	Lo	A63B 53/0466 473/335
D357,520 S	4/1995	Helmstetter et al.		7,128,663 B2	10/2006	Bamber	
5,419,560 A	5/1995	Bamber		D531,688 S	11/2006	Frame et al.	
5,425,535 A	6/1995	Gee		D532,849 S	11/2006	Nicolette et al.	
D361,358 S	8/1995	Simmons		D534,228 S	12/2006	Nicolette et al.	
5,447,311 A	9/1995	Viollaz et al.		D534,595 S	1/2007	Hasebe	
5,451,056 A	9/1995	Manning		D534,597 S	1/2007	Nicolette et al.	
D362,884 S	10/1995	Blough et al.		7,156,751 B2	1/2007	Wahl et al.	
D362,885 S	10/1995	Blough et al.		D536,759 S	2/2007	Schweigert et al.	
D362,887 S	10/1995	Blough et al.		D537,494 S	2/2007	Jertson et al.	
D370,514 S	6/1996	Blough et al.		7,182,698 B2	2/2007	Tseng	
5,540,437 A	7/1996	Bamber		D538,366 S	3/2007	Nicolette et al.	
D379,106 S	5/1997	Maltby		D539,864 S	4/2007	Nicolette et al.	
5,637,045 A	6/1997	Igarashi		D540,898 S	4/2007	Solheim et al.	
5,669,830 A	9/1997	Bamber		D541,360 S	4/2007	Schweigert et al.	
D389,540 S	1/1998	Mendenhall		7,207,900 B2	4/2007	Nicolette et al.	
D389,541 S	1/1998	Huan-Chiang		D543,601 S *	5/2007	Kawami	D21/759
D395,476 S	6/1998	Pond et al.		D544,056 S	6/2007	Nicolette et al.	
5,766,091 A	6/1998	Humphrey et al.		D547,410 S	7/2007	Nicolette et al.	
5,766,092 A	6/1998	Mimeur et al.		D555,219 S *	11/2007	Lin	D21/759
D399,277 S	10/1998	Ezaki		7,303,486 B2	12/2007	Imamoto	
5,827,132 A	10/1998	Bamber		D559,932 S	1/2008	Belmont	
D408,485 S	4/1999	Takahashi et al.		D561,855 S	2/2008	Schweigert et al.	
5,899,821 A	5/1999	Hsu et al.		D562,925 S	2/2008	Schweigert et al.	
5,935,016 A	8/1999	Antonious		7,351,164 B2	4/2008	Schweigert et al.	
D414,535 S	9/1999	Mertens		D570,435 S	6/2008	Sanchez et al.	
D421,080 S *	2/2000	Chen	D21/747	D570,935 S	6/2008	Nicolette et al.	
D426,276 S	6/2000	Besnard et al.		D570,936 S	6/2008	Schweigert et al.	
D426,476 S	6/2000	Goss		D570,942 S	6/2008	Chen et al.	
6,077,171 A *	6/2000	Yoneyama	A63B 60/00 473/291	D571,422 S	6/2008	Schweigert et al.	
D442,659 S	5/2001	Kubica et al.		D571,425 S	6/2008	Chen et al.	
D443,008 S	5/2001	Kubica et al.		D571,427 S	6/2008	Schweigert et al.	
D445,862 S	7/2001	Ford		D571,881 S	6/2008	Nicolette et al.	
6,290,609 B1	9/2001	Takeda		D572,326 S	7/2008	Schweigert et al.	
D449,866 S	10/2001	Miller		D572,329 S	7/2008	Nicolette et al.	
D457,211 S	5/2002	Bakke		D573,219 S	7/2008	Schweigert et al.	
D458,328 S	6/2002	Solheim et al.		7,396,299 B2	7/2008	Nicolette et al.	
D469,833 S	2/2003	Roberts et al.		7,413,518 B2	8/2008	Cole et al.	
D473,605 S	4/2003	Petersen et al.		D577,783 S	9/2008	Schweigert et al.	
D476,048 S	6/2003	Cleveland et al.		D578,590 S	10/2008	Schweigert et al.	
D478,949 S	8/2003	DeLaCruz		D581,000 S	11/2008	Nicolette et al.	
6,638,182 B2	10/2003	Kosmatka		D581,004 S	11/2008	Schweigert et al.	
6,695,714 B1	2/2004	Bliss et al.		D584,370 S	1/2009	Cleveland et al.	
6,702,693 B2	3/2004	Bamber		D585,103 S	1/2009	Foster et al.	
D488,201 S	4/2004	Wahl et al.		D586,414 S	2/2009	Foster et al.	
D492,376 S	6/2004	Nicolette et al.		D587,327 S	2/2009	Ines et al.	
D494,240 S	8/2004	Schweigert		D594,518 S	6/2009	Schweigert	
D494,648 S	8/2004	Schweigert et al.		D596,256 S	7/2009	Schweigert et al.	
6,780,123 B2	8/2004	Hasebe		D596,257 S	7/2009	Jertson et al.	
D497,963 S	11/2004	Toulon et al.		D596,258 S	7/2009	Jertson et al.	
6,811,496 B2	11/2004	Wahl et al.		D596,688 S	7/2009	Schweigert et al.	
D499,779 S	12/2004	Mahaffey et al.		D597,158 S	7/2009	Schweigert et al.	
D500,350 S	12/2004	Schweigert et al.		D601,216 S	9/2009	Jertson et al.	
D500,351 S	12/2004	Schweigert et al.		7,588,502 B2	9/2009	Nishino	
D502,237 S	2/2005	Schweigert et al.		7,601,075 B2	10/2009	Cole et al.	
D502,975 S	3/2005	Schweigert et al.		D604,783 S	11/2009	Nicolette et al.	
D503,204 S	3/2005	Nicolette et al.		7,611,424 B2	11/2009	Nagai et al.	
D504,925 S	5/2005	Schweigert et al.		D606,605 S	12/2009	Wada et al.	
D505,171 S	5/2005	Schweigert et al.		D607,070 S	12/2009	Wada et al.	
D507,320 S	7/2005	Roberts et al.		D607,071 S	12/2009	Wada et al.	
D507,614 S	7/2005	Schweigert et al.		7,658,686 B2	2/2010	Soracco	
D508,099 S	8/2005	Schweigert et al.		D612,438 S	3/2010	Carlyle et al.	
D508,545 S	8/2005	Roberts et al.		D612,439 S	3/2010	Carlyle et al.	
				D617,406 S	6/2010	Carlyle et al.	
				D618,293 S	6/2010	Foster et al.	
				7,736,243 B2	6/2010	Sanchez et al.	
				7,744,484 B1	6/2010	Chao	
				D621,893 S	8/2010	Nicolette et al.	
				D621,894 S	8/2010	Schweigert	

(56)

References Cited

U.S. PATENT DOCUMENTS

D621,895 S	8/2010	Schweigert et al.	D825,891 S *	8/2018	Parsons	D21/747
7,798,917 B2	9/2010	Nguyen et al.	D827,065 S *	8/2018	Nicolette	D21/747
7,815,521 B2	10/2010	Ban et al.	D835,737 S *	12/2018	Parsons	D21/747
D627,409 S	11/2010	Schweigert et al.	D852,302 S *	6/2019	Parsons	D21/747
D627,410 S	11/2010	Nicolette et al.	D856,451 S *	8/2019	Parsons	D21/747
7,846,040 B2	12/2010	Ban	D863,478 S *	10/2019	Parsons	D21/747
D633,159 S	2/2011	Holt et al.	10,632,349 B2 *	4/2020	Parsons	A63B 53/04
D633,967 S	3/2011	Carlyle et al.	D893,647 S *	8/2020	Parsons	D21/747
D635,627 S	4/2011	Nicolette	D893,648 S *	8/2020	Parsons	D21/747
7,938,738 B2	5/2011	Roach	D894,302 S *	8/2020	Parsons	D21/747
D642,642 S	8/2011	Jertson et al.	10,729,948 B2 *	8/2020	Parsons	A63B 53/047
D643,488 S	8/2011	Holt et al.	10,729,949 B2 *	8/2020	Parsons	A63B 60/54
D643,490 S	8/2011	Wada et al.	D898,143 S *	10/2020	Parsons	D21/747
D643,491 S	8/2011	Stokke et al.	D898,144 S *	10/2020	Parsons	D21/747
D643,492 S	8/2011	Nicolette et al.	D898,145 S *	10/2020	Parsons	D21/747
D643,895 S	8/2011	Wieland	10,874,919 B2 *	12/2020	Parsons	A63B 1/00
D643,896 S	8/2011	Jertson et al.	D915,535 S *	4/2021	Parsons	D21/747
D647,582 S	10/2011	Nicolette et al.	D916,220 S *	4/2021	Parsons	D21/747
D649,211 S	11/2011	Jertson et al.	D922,506 S *	6/2021	Parsons	D21/747
8,062,150 B2	11/2011	Gilbert et al.	D935,542 S *	11/2021	Parsons	D21/747
D651,268 S	12/2011	Nicolette et al.	2002/0107087 A1	8/2002	Fagot	
8,088,025 B2	1/2012	Wahl et al.	2003/0139226 A1 *	7/2003	Cheng	A63B 53/04 473/334
8,092,319 B1	1/2012	Cackett et al.	2003/0176231 A1	9/2003	Hasebe	
8,105,180 B1	1/2012	Cackett et al.	2004/0204263 A1	10/2004	Fagot et al.	
8,142,307 B2	3/2012	Sanchez et al.	2005/0009632 A1	1/2005	Schweigert et al.	
D658,248 S	4/2012	Nunez et al.	2005/0014573 A1	1/2005	Lee	
8,221,262 B1	7/2012	Cackett et al.	2005/0096148 A1	5/2005	Noble et al.	
8,246,487 B1	8/2012	Cackett et al.	2005/0119066 A1	6/2005	Stites et al.	
D670,775 S	11/2012	Jertson et al.	2005/0239569 A1	10/2005	Best et al.	
D672,417 S	12/2012	Jertson et al.	2005/0277485 A1 *	12/2005	Hou	A63B 60/54 473/332
8,328,662 B2	12/2012	Nakamura et al.	2006/0111200 A1	5/2006	Poynor	
D673,633 S	1/2013	Jertson et al.	2007/0032308 A1	2/2007	Fagot et al.	
D673,634 S	1/2013	Jertson et al.	2007/0225084 A1	9/2007	Schweigert et al.	
8,376,878 B2	2/2013	Bennett et al.	2008/0058113 A1	3/2008	Nicolette et al.	
D680,603 S	4/2013	Nicolette et al.	2008/0188322 A1	8/2008	Anderson et al.	
D681,142 S	4/2013	Fossum et al.	2008/0300065 A1	12/2008	Schweigert	
D681,143 S	4/2013	Nicolette et al.	2009/0029790 A1	1/2009	Nicolette et al.	
8,414,422 B2	4/2013	Peralta et al.	2010/0130306 A1	5/2010	Schweigert	
8,506,420 B2	8/2013	Hocknell et al.	2010/0178999 A1	7/2010	Nicolette et al.	
8,545,343 B2	10/2013	Boyd et al.	2011/0111883 A1	5/2011	Cackett	
8,574,094 B2	11/2013	Nicolette et al.	2011/0165963 A1	7/2011	Cackett et al.	
8,657,700 B2	2/2014	Nicolette et al.	2011/0269567 A1	11/2011	Ban et al.	
8,663,026 B2	3/2014	Blowers et al.	2011/0294596 A1	12/2011	Ban	
8,690,710 B2	4/2014	Nicolette et al.	2013/0137532 A1	5/2013	Deshmukh et al.	
D707,316 S	6/2014	Aguayo et al.	2013/0225319 A1	8/2013	Kato	
D707,317 S	6/2014	Aguayo et al.	2013/0281226 A1	10/2013	Ban	
8,753,230 B2	6/2014	Stokke et al.	2013/0288823 A1	10/2013	Hebreo	
D708,688 S	7/2014	Nicolette et al.	2013/0303303 A1	11/2013	Ban	
8,827,832 B2	9/2014	Breier et al.	2013/0310192 A1	11/2013	Wahl et al.	
8,827,833 B2	9/2014	Amano et al.	2014/0080621 A1	3/2014	Nicolette et al.	
8,845,455 B2	9/2014	Ban et al.	2014/0128175 A1	5/2014	Jertson et al.	
D716,387 S	10/2014	Aguayo et al.	2014/0274441 A1	9/2014	Greer	
D716,388 S	10/2014	Aguayo et al.	2014/0274451 A1	9/2014	Knight et al.	
D716,391 S *	10/2014	Roche	2015/0231454 A1 *	8/2015	Parsons	A63B 53/06 473/335
D722,352 S *	2/2015	Nicolette	2015/0231806 A1 *	8/2015	Parsons	B29C 45/14467 264/261
D723,120 S *	2/2015	Nicolette	2015/0328508 A1 *	11/2015	Parsons	A63B 53/0475 473/350
8,961,336 B1 *	2/2015	Parsons	2017/0368429 A1 *	12/2017	Parsons	A63B 53/047
D726,265 S *	4/2015	Nicolette	2018/0104551 A1 *	4/2018	Parsons	A63B 53/047
9,199,143 B1	12/2015	Parsons et al.	2018/0140910 A1 *	5/2018	Parsons	A63B 53/0466
D746,926 S *	1/2016	Parsons	2018/0169488 A1 *	6/2018	Parsons	A63B 53/047
D748,214 S *	1/2016	Nicolette	2018/0207494 A1 *	7/2018	Parsons	A63B 53/0466
D748,749 S *	2/2016	Nicolette	2018/0221727 A1 *	8/2018	Parsons	A63B 53/047
D756,471 S *	5/2016	Nicolette	2018/0236325 A1 *	8/2018	Parsons	A63B 53/0466
9,346,203 B2	5/2016	Parsons et al.	2018/0318673 A1 *	11/2018	Parsons	A63B 53/0487
D764,610 S	8/2016	Parsons et al.	2019/0143183 A1 *	5/2019	Parsons	A63B 60/02 473/346
9,421,437 B2	8/2016	Parsons et al.	2019/0201758 A1 *	7/2019	Parsons	A63B 53/0487
9,427,634 B2	8/2016	Parsons et al.	2019/0232124 A1 *	8/2019	Parsons	A63B 53/0487
9,468,821 B2 *	10/2016	Parsons	2019/0232125 A1 *	8/2019	Parsons	A63B 60/02
D773,575 S *	12/2016	Nicolette	2019/0232126 A1 *	8/2019	Nicolette	A63B 53/0475
9,533,201 B2 *	1/2017	Parsons	2019/0240549 A1 *	8/2019	Parsons	A63B 53/047
9,649,542 B2 *	5/2017	Nicolette	2019/0247726 A1 *	8/2019	Parsons	A63B 60/52
D802,068 S *	11/2017	Parsons	2019/0247727 A1 *	8/2019	Parsons	A63B 53/0475
9,814,952 B2 *	11/2017	Parsons	2020/0047038 A1 *	2/2020	Parsons	A63B 53/0475
D816,787 S *	5/2018	Nicolette				

(56)

References Cited

U.S. PATENT DOCUMENTS

2020/0070018 A1* 3/2020 Parsons A63B 53/0466
2020/0346082 A1* 11/2020 Parsons A63B 53/0466
2020/0353326 A1* 11/2020 Parsons A63B 60/02
2020/0376353 A1* 12/2020 Parsons A63B 53/0487
2021/0008420 A1* 1/2021 Parsons A63B 53/0487
2021/0016141 A1* 1/2021 Parsons A63B 53/0487

OTHER PUBLICATIONS

Pxg.xom; Jun. 30, 2022.*

Kozuchowski, Zak, "Callaway Mack Daddy 2 PM Grind Wedges" (<http://www.golfwrx.com/276203/callaway-mack-daddy-2-pm-grind-wedges/>), www.golfwrx.com, GolfWRX Holdings, LLC, published Jan. 21, 2015.

PCT/US2015/016666: International Search Report and Written Opinion dated May 14, 2015 (8 Pages).

Wall, Jonathan, "Details: Phil's Prototype Mack Daddy PM-Grind Wedge," (<http://www.pgatour.com/equipmentreport/2015/01/21/callaway-wedge.html>), www.pgatour.com, PGA Tour, Inc., Published Jan. 21, 2015.

* cited by examiner

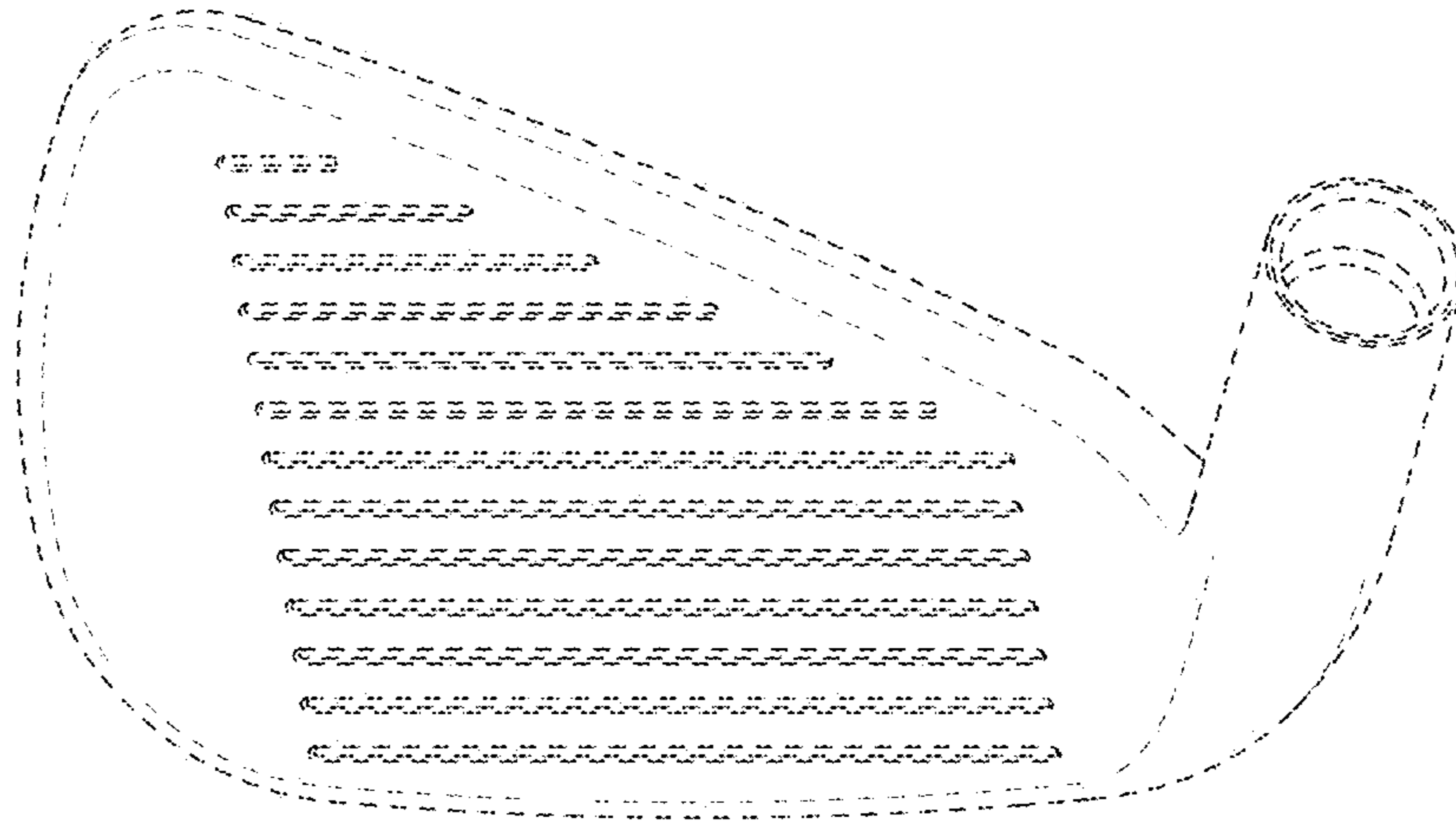


FIG. 1

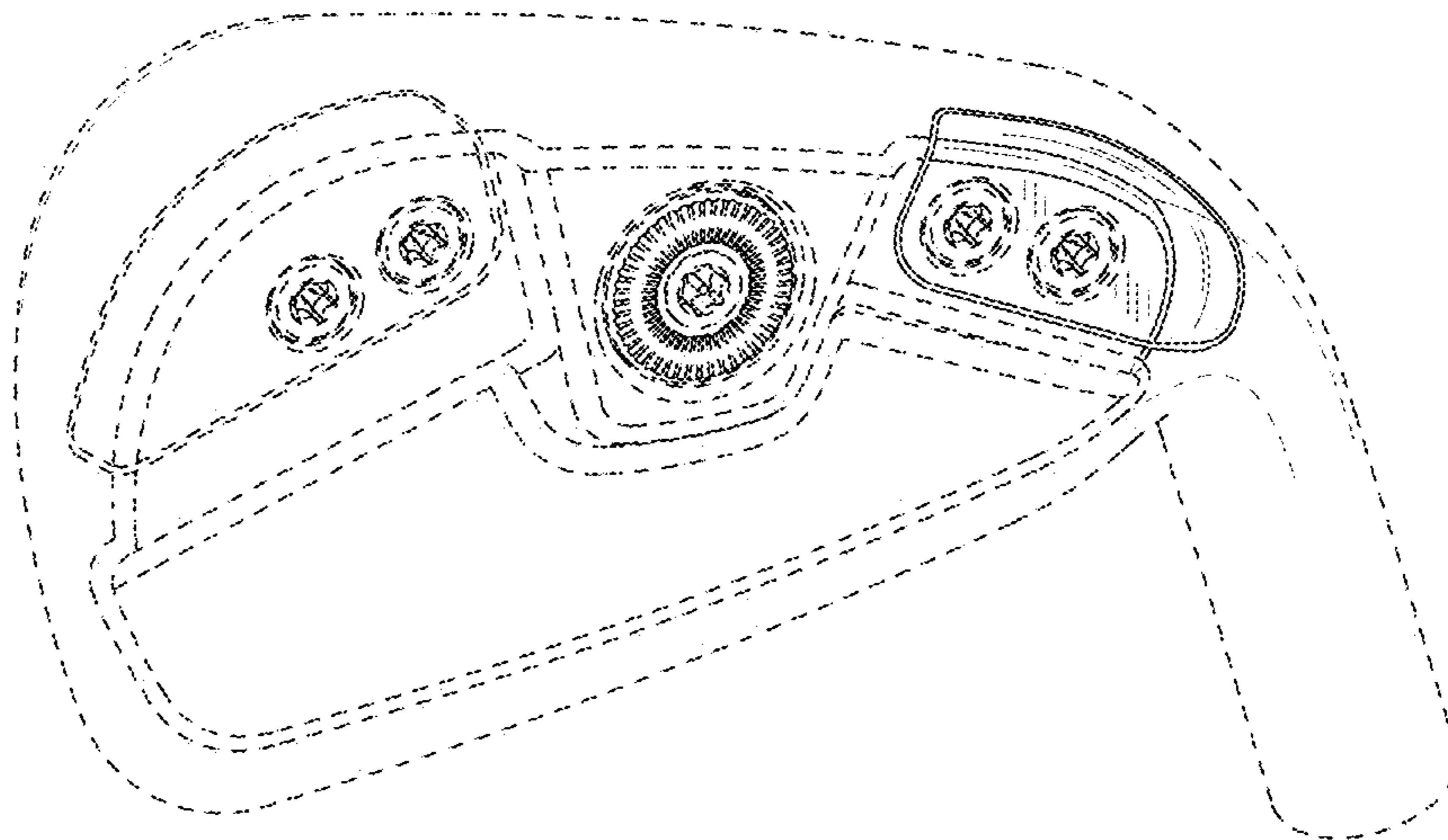


FIG. 2

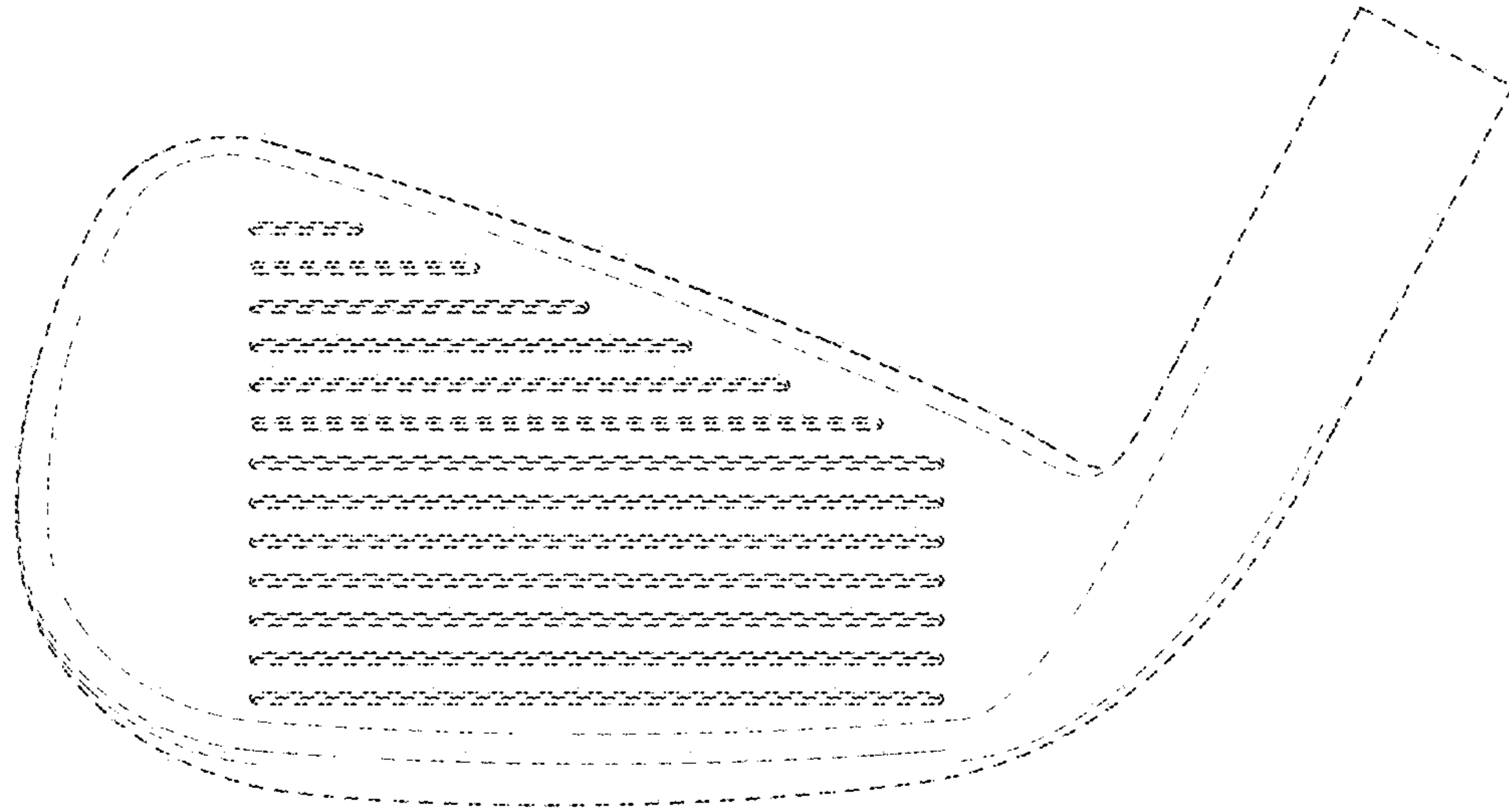


FIG. 3

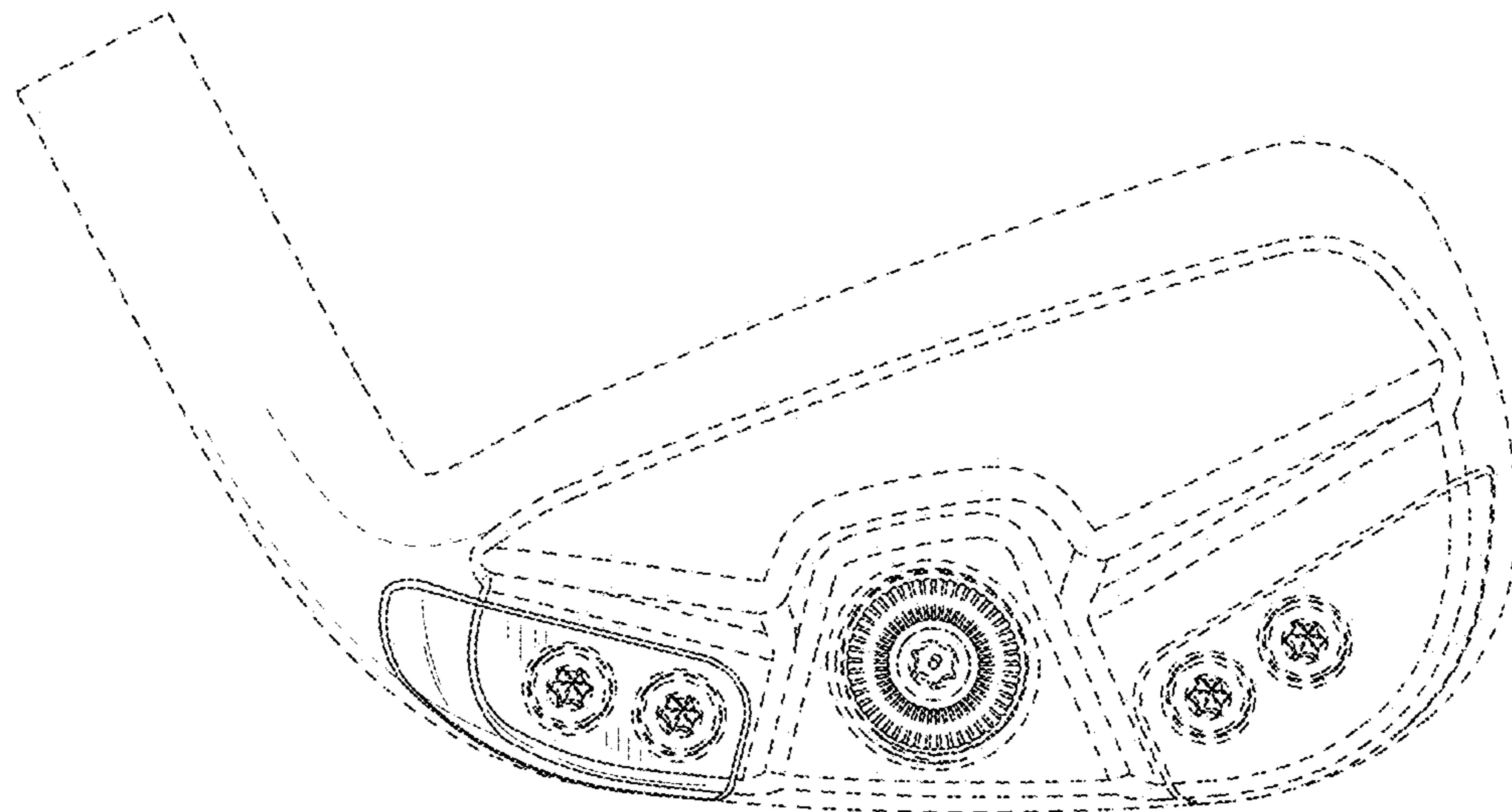


FIG. 4

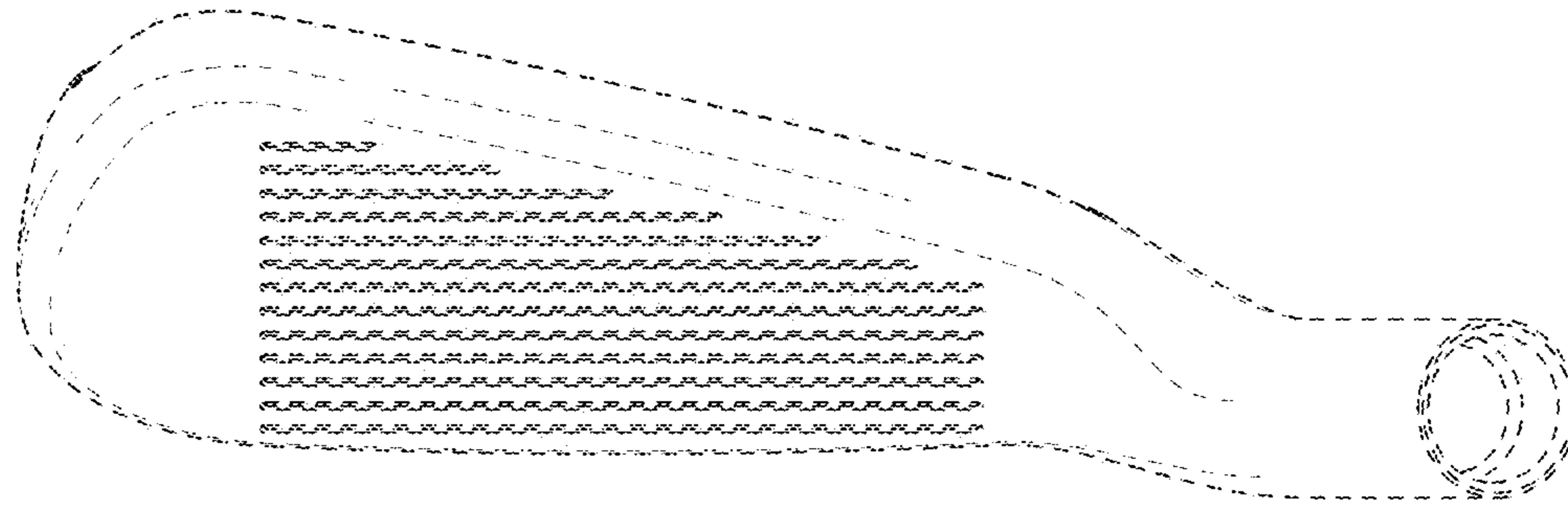


FIG. 5

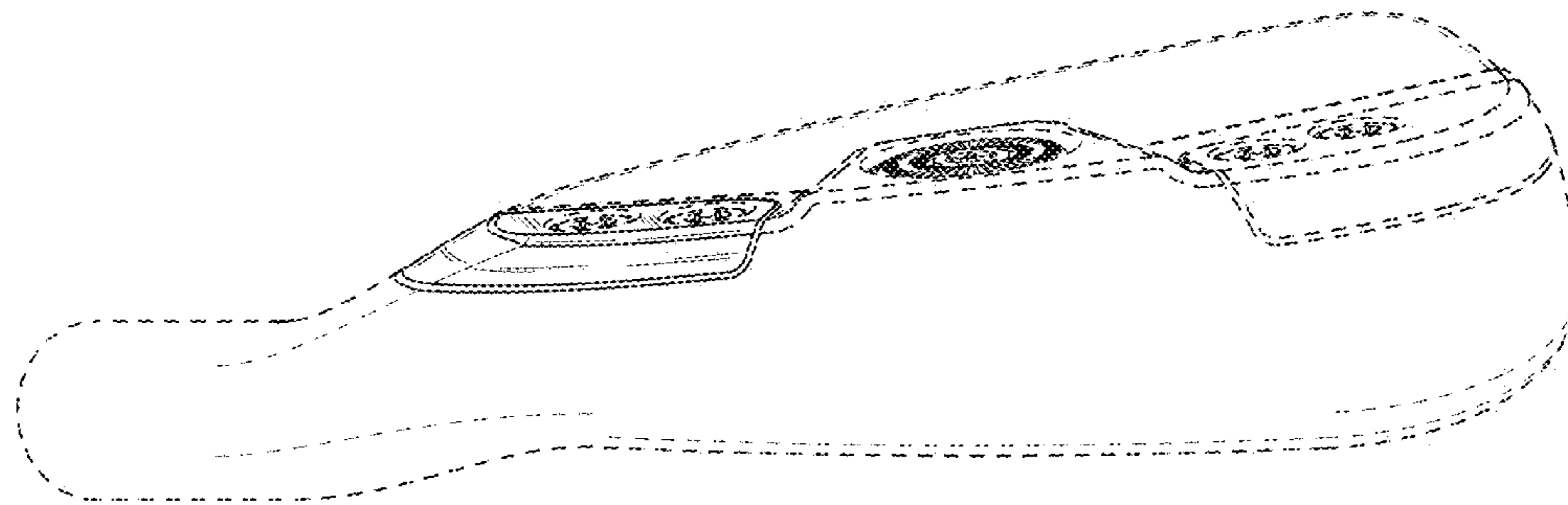


FIG. 6

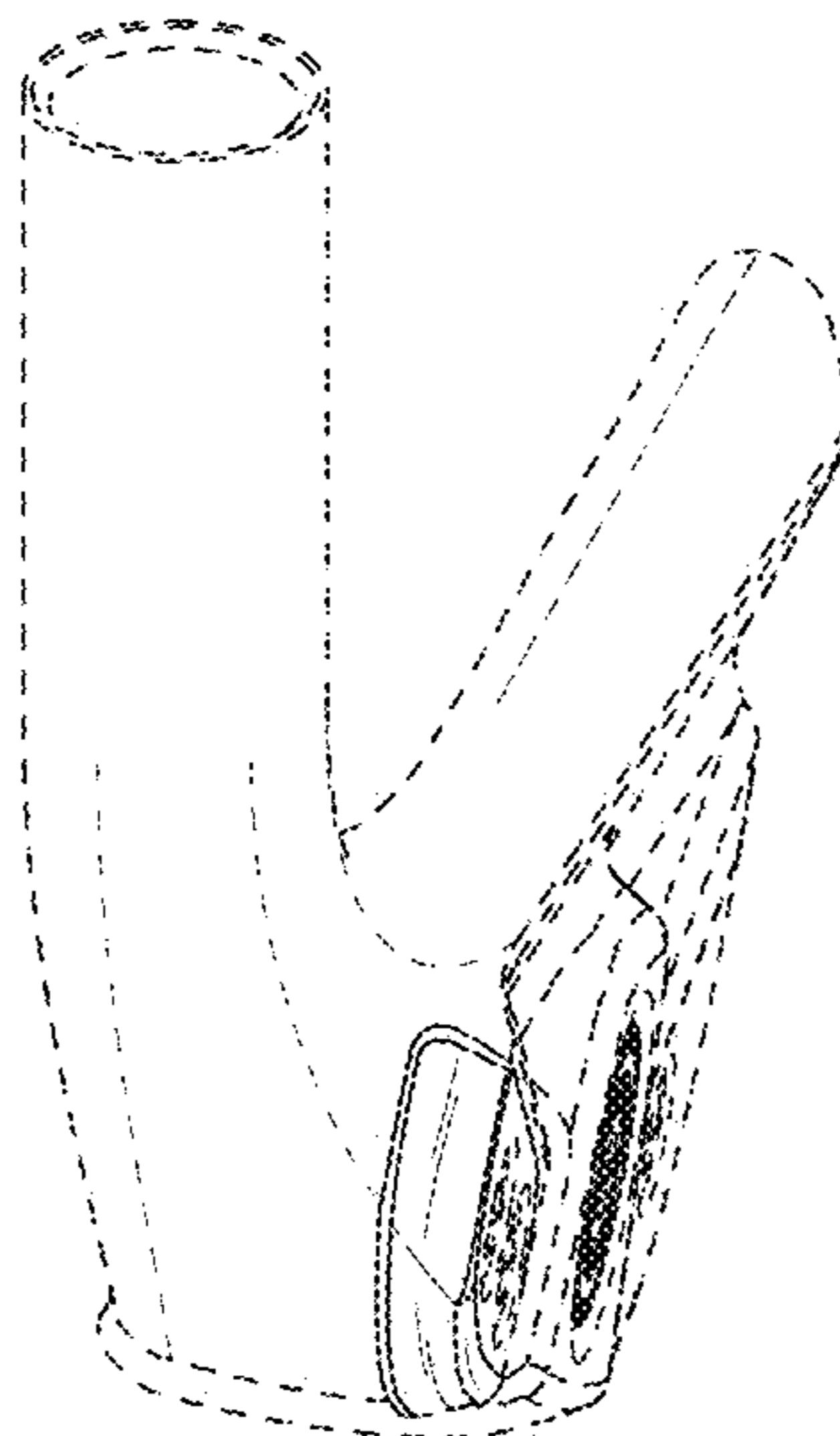


FIG. 7

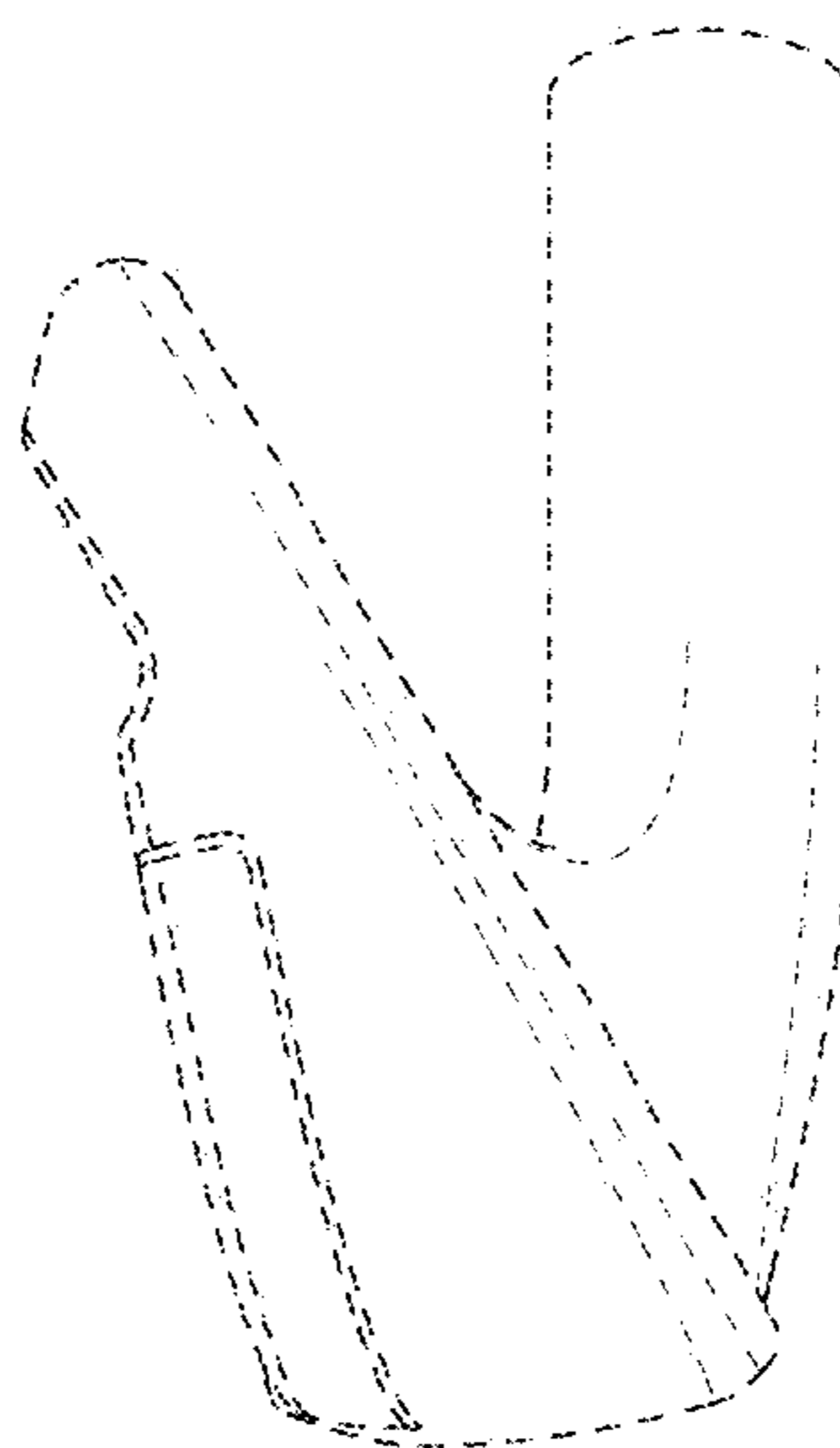


FIG. 8