

US00D961702S

(12) **United States Design Patent** (10) **Patent No.:** **US D961,702 S**
Palumbo (45) **Date of Patent:** **** Aug. 23, 2022**

(54) **INFLATABLE TRAINING DEVICE**

(71) Applicant: **Team USA Productions, LLC**,
Phoenixville, PA (US)

(72) Inventor: **Richard A. Palumbo**, Phoenixville, PA
(US)

(73) Assignee: **Team USA Productions, LLC**,
Phoenixville, PA (US)

D746,395 S 12/2015 Rademacher et al.
D799,625 S 10/2017 Chen
D804,598 S 12/2017 Albert
D825,702 S 8/2018 Glick
D834,672 S 11/2018 Hachigian
D860,367 S 9/2019 Barrett et al.
D862,628 S 10/2019 Wang
D865,300 S 10/2019 Fallgatter
D928,892 S * 8/2021 Palumbo D21/686
2009/0181827 A1 7/2009 Hylbert et al.
2009/0264042 A1 10/2009 Chen

(**) Term: **15 Years**

(21) Appl. No.: **29/802,516**

(22) Filed: **Aug. 5, 2021**

Related U.S. Application Data

(63) Continuation of application No. 29/662,720, filed on
Sep. 7, 2018, now Pat. No. Des. 928,892.

(51) **LOC (13) Cl.** **21-02**

(52) **U.S. Cl.**
USPC **D21/686**

(58) **Field of Classification Search**
USPC 446/220; 482/23, 27, 77; D21/797, 834,
D21/835, 836, 839; D30/119, 160
CPC A63B 37/004; A63B 37/06; A63B 37/10;
A63B 41/02; A63B 71/0054
See application file for complete search history.

(56) **References Cited**

U.S. PATENT DOCUMENTS

5,678,357 A 10/1997 Rubio et al.
D478,955 S 8/2003 Chen
7,104,864 B1 9/2006 Liou
D566,131 S 4/2008 Detering et al.
D639,886 S 6/2011 Cirjak et al.
D639,887 S 6/2011 Cirjak et al.
D661,762 S 6/2012 Galinski
D740,902 S 10/2015 Albert
D744,053 S 11/2015 Cirjak et al.

OTHER PUBLICATIONS

Youtube, "Fastfluff", Jan. 1, 2019. <https://www.youtube.com/watch?v=E05oshMwNCo>. Shown at 0:03 second mark. (Year: 2019).*

* cited by examiner

Primary Examiner — Michael A Maharajh
(74) *Attorney, Agent, or Firm* — Flaster Greenberg, P.C.

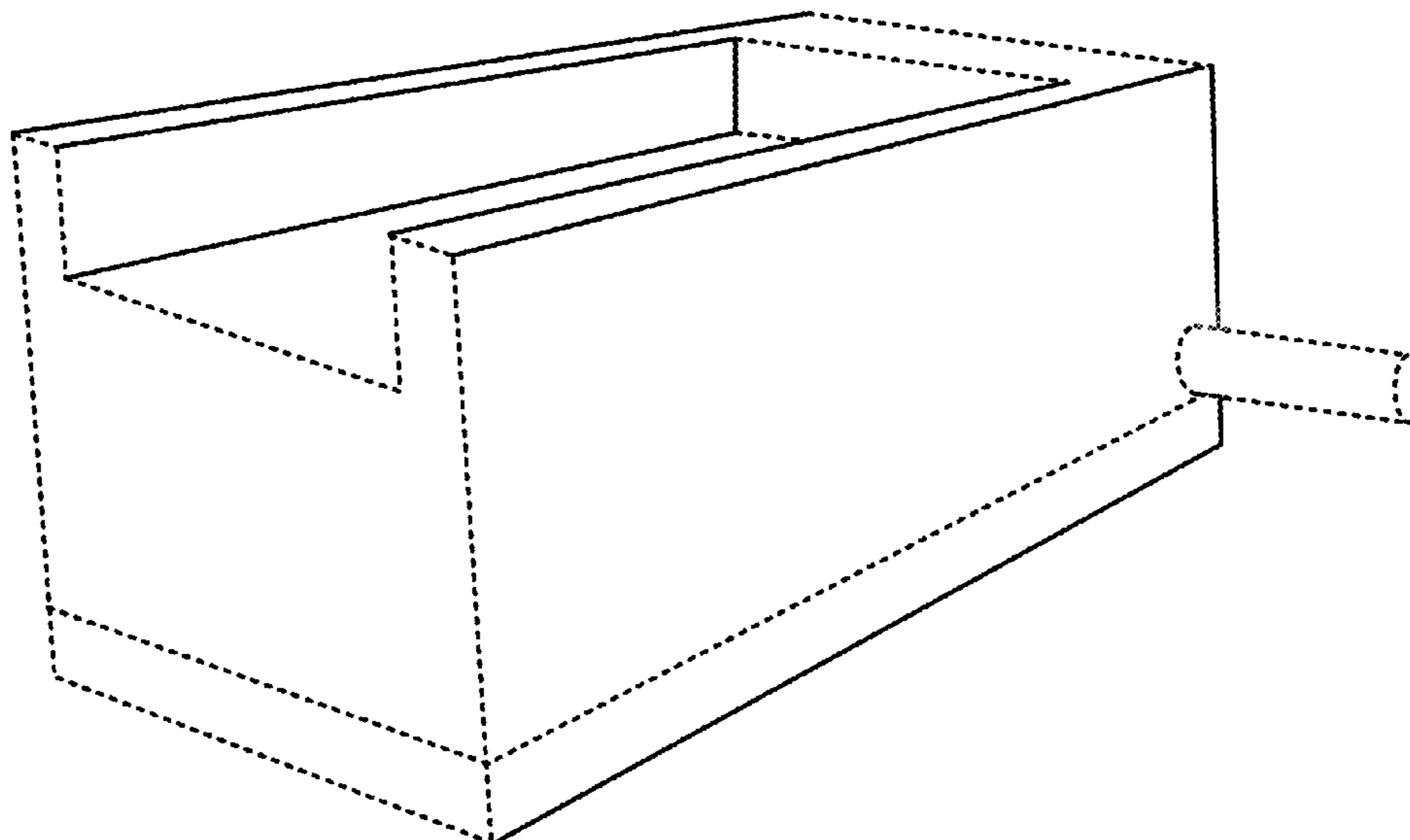
(57) **CLAIM**

The ornamental design for an inflatable training device, as shown and described.

DESCRIPTION

FIG. 1 is a perspective view of an inflatable training device showing my new design;
FIG. 2 is a top view the inflatable training device of FIG. 1;
FIG. 3 is a bottom view the inflatable training device of FIG. 1;
FIG. 4 is a left side view of the inflatable training device of FIG. 1;
FIG. 5 is a right side view of the inflatable training device of FIG. 1;
FIG. 6 is a front view of the inflatable training device of FIG. 1; and,
FIG. 7 is a rear view of the inflatable training device of FIG. 1.

1 Claim, 7 Drawing Sheets



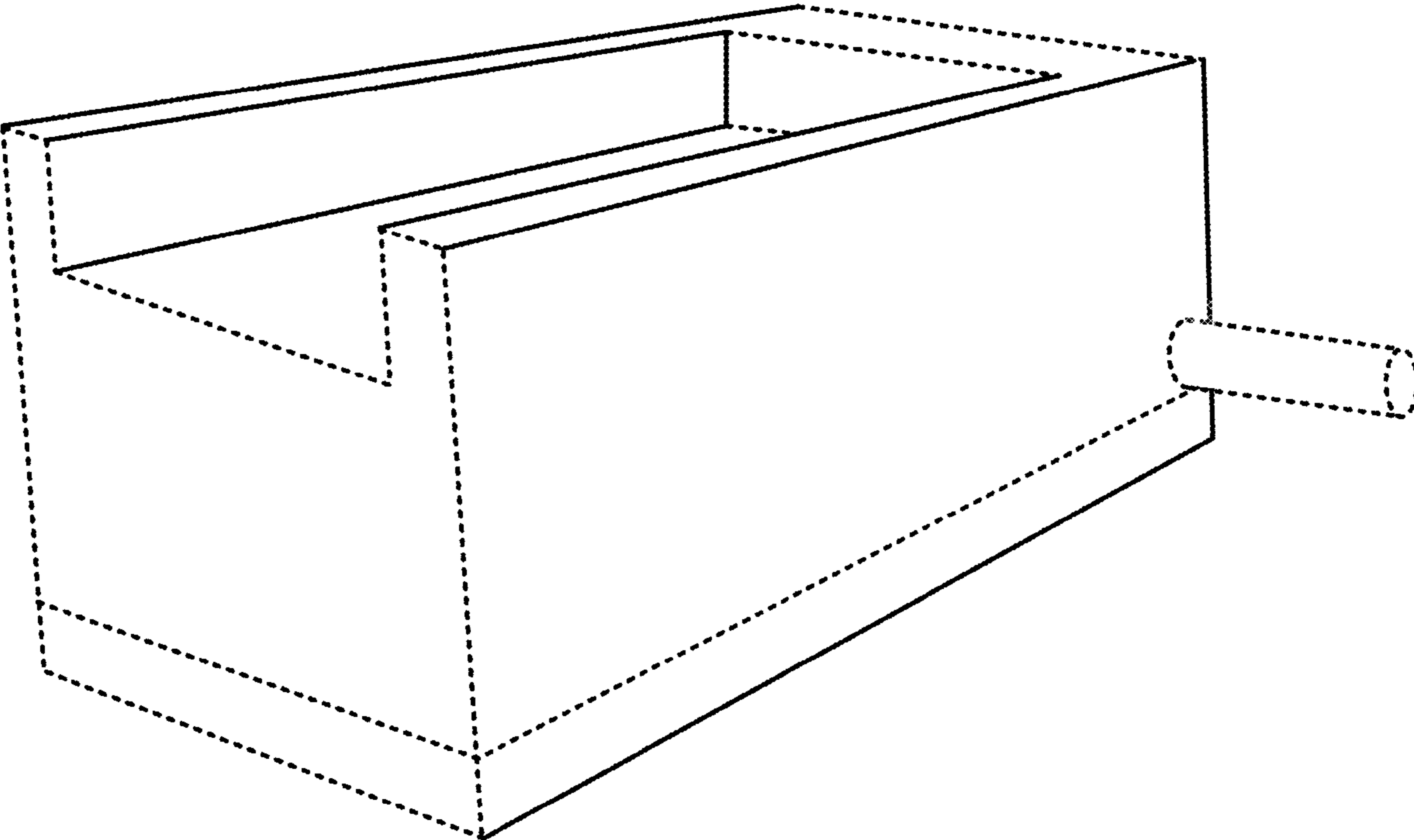


FIG. 1

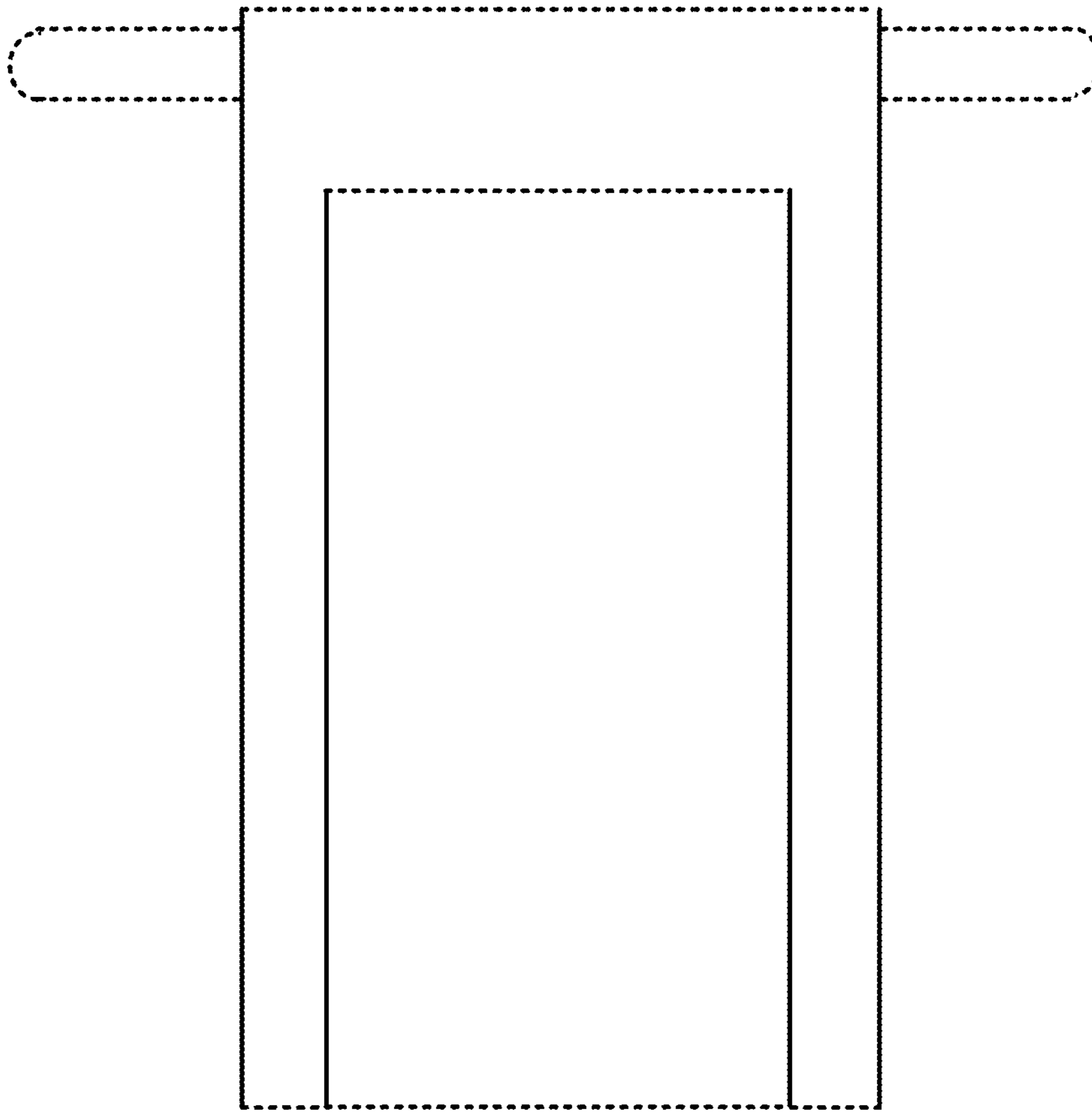


FIG. 2

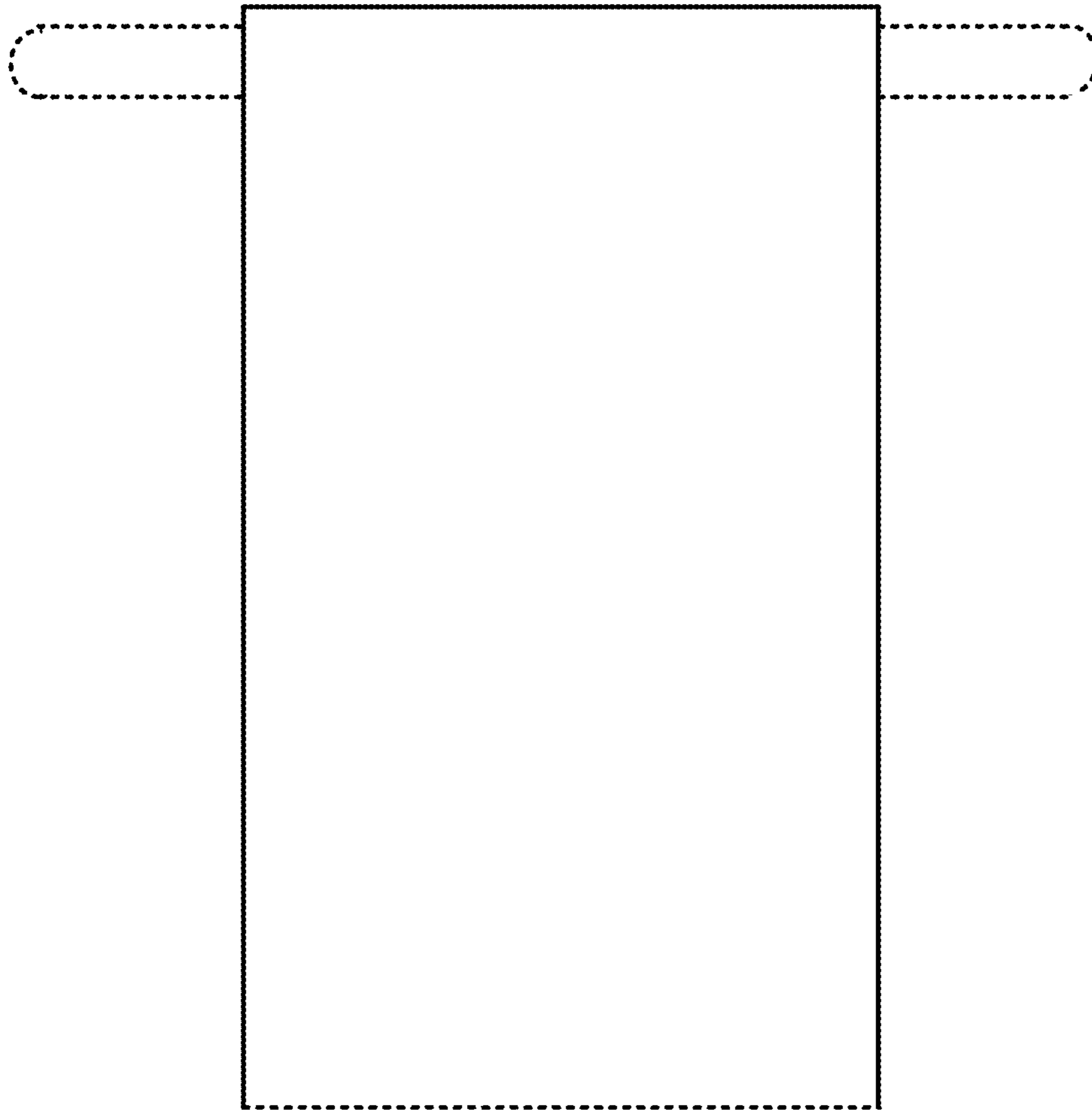


FIG. 3

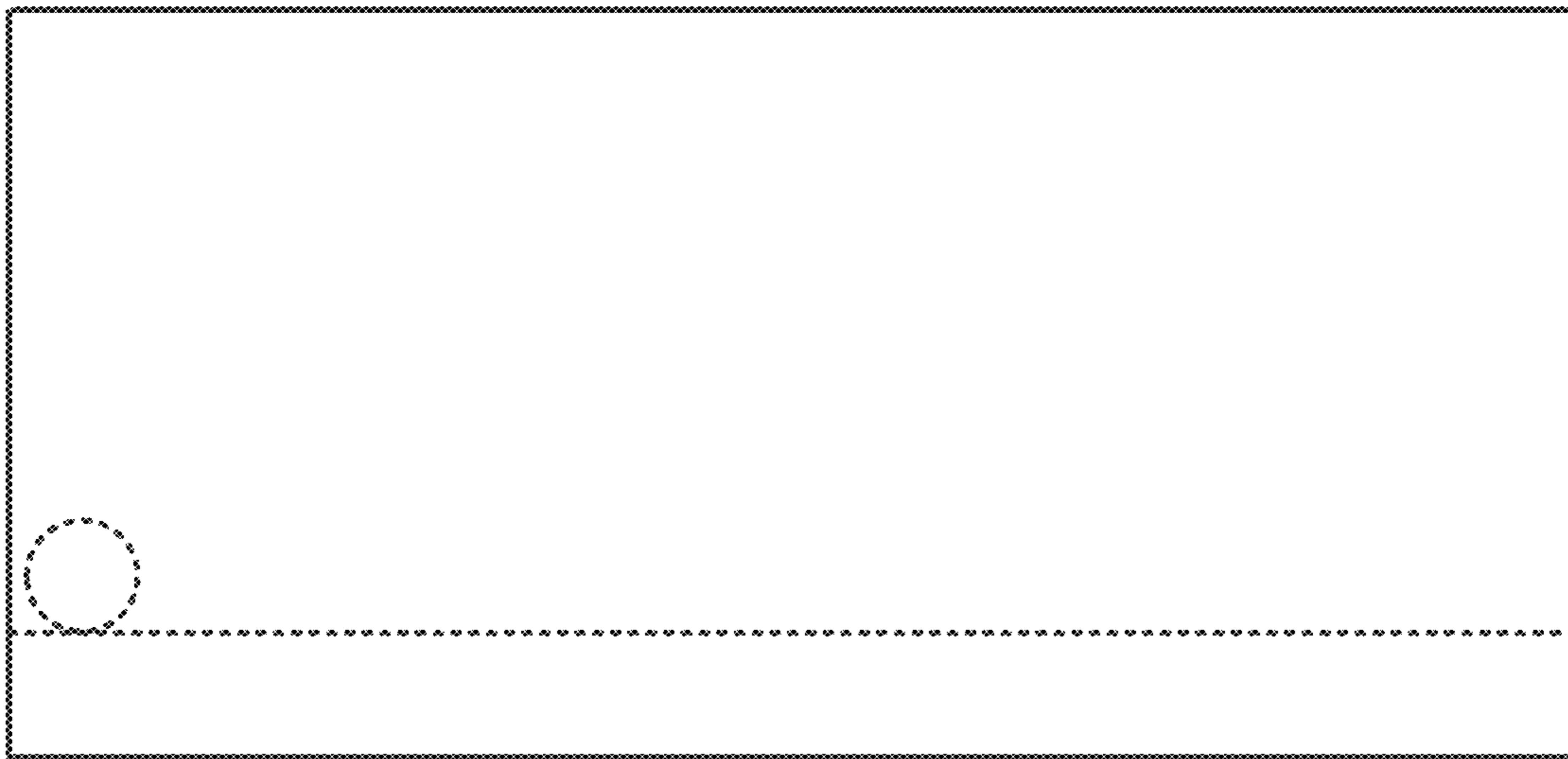


FIG. 4

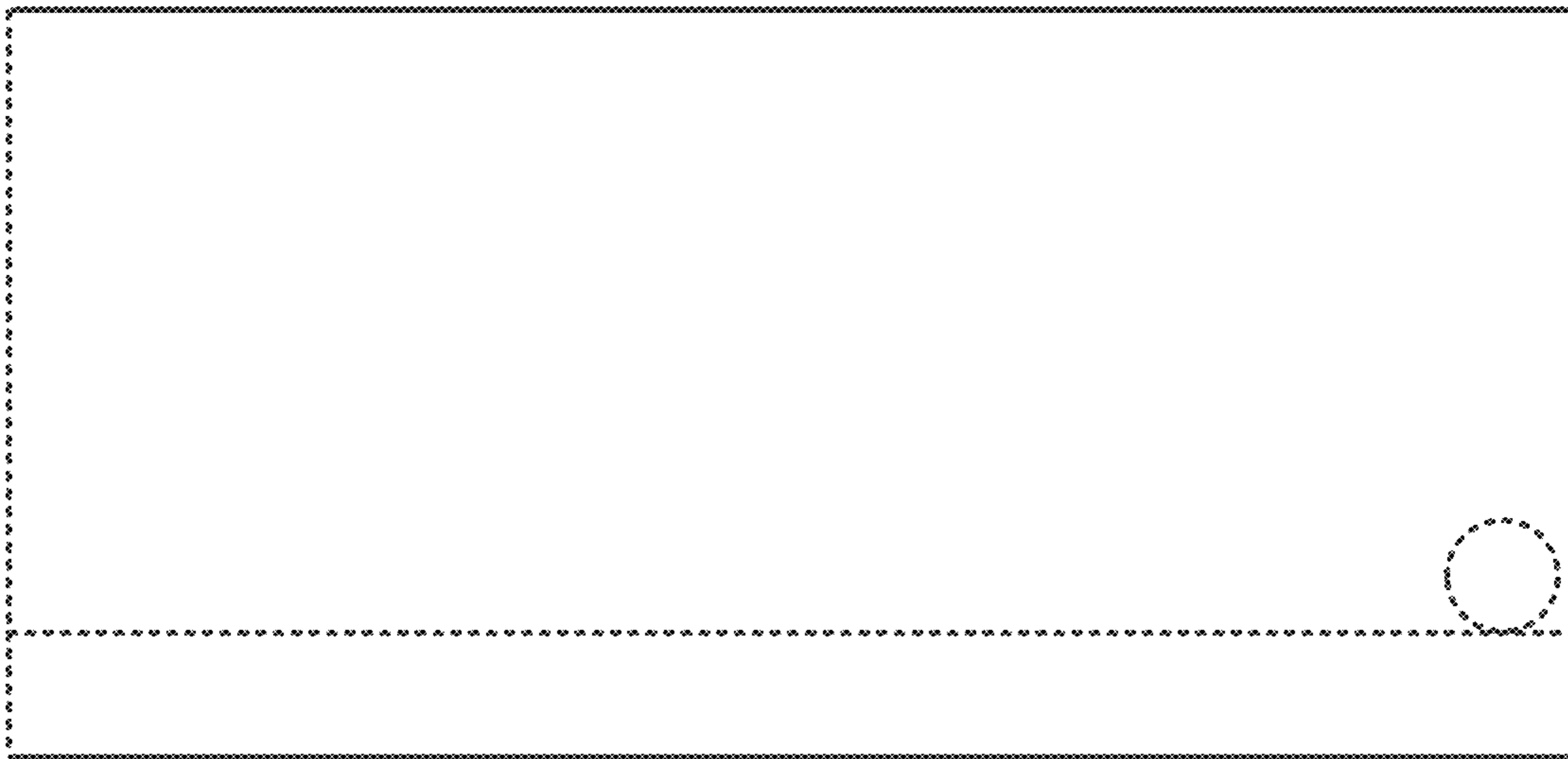


FIG. 5

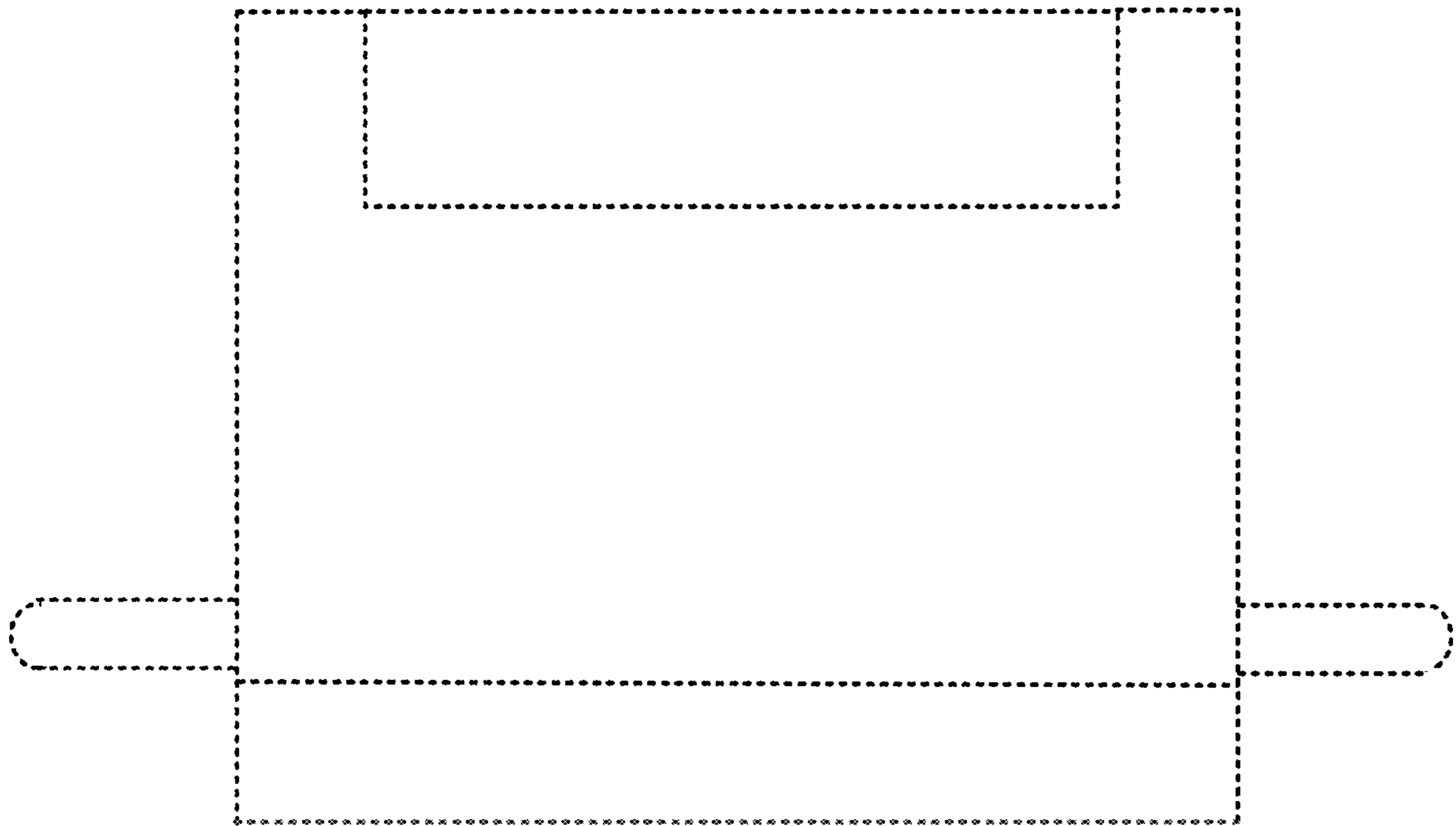


FIG. 6

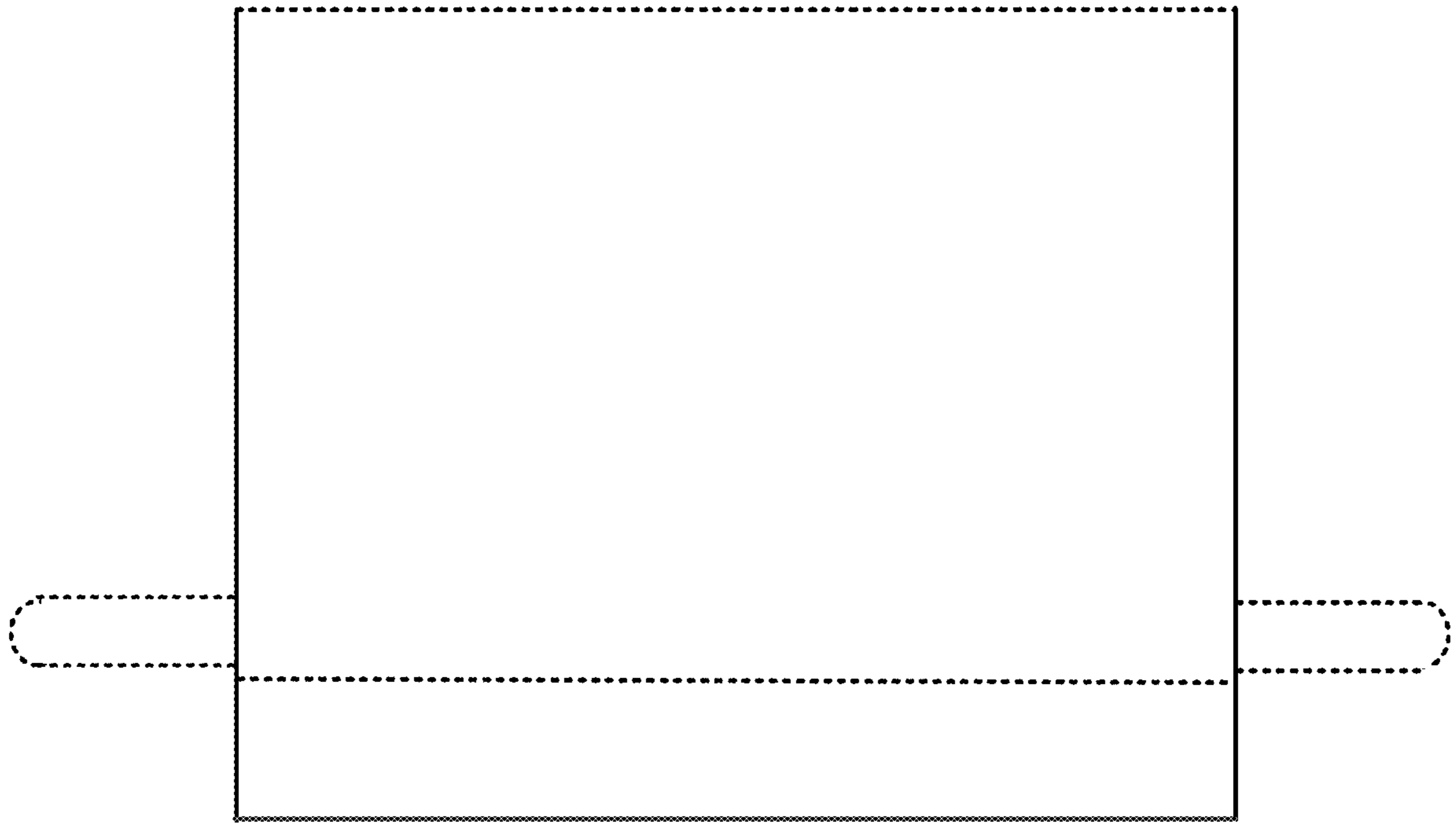


FIG. 7