



US00D961701S

(12) **United States Design Patent**
Won

(10) **Patent No.:** **US D961,701 S**

(45) **Date of Patent:** **** Aug. 23, 2022**

(54) **PUSHUP BAR**

(71) Applicant: **Wang ho Won**, Seoul (KR)

(72) Inventor: **Wang ho Won**, Seoul (KR)

(**) Term: **15 Years**

(21) Appl. No.: **29/755,453**

(22) Filed: **Oct. 20, 2020**

(30) **Foreign Application Priority Data**

Jun. 22, 2020 (KR) 30-2020-0028101

(51) **LOC (13) Cl.** **21-02**

(52) **U.S. Cl.**
USPC **D21/686**

(58) **Field of Classification Search**
USPC D21/686, 662, 679, 694, 797, 673, 670,
D21/665, 687, 682

See application file for complete search history.

(56) **References Cited**

U.S. PATENT DOCUMENTS

- 4,103,887 A * 8/1978 Shoofler A63B 21/0602
482/106
- D269,691 S * 7/1983 Ornstein D21/691
- 4,854,573 A * 8/1989 Johannson F16B 21/088
482/141
- D345,468 S * 3/1994 McVicker D6/349
- 7,780,575 B1 * 8/2010 Goodwin, III A63B 4/00
482/40
- D631,560 S * 1/2011 Merritt, Sr. D25/67
- D764,607 S * 8/2016 Beckford D21/679
- D843,520 S * 3/2019 Thompson D21/691

- D913,385 S * 3/2021 Trenkle D21/694
- 2015/0126335 A1 * 5/2015 Gilson A63B 1/00
482/38
- 2017/0001068 A1 * 1/2017 Cauble A63B 23/0458

OTHER PUBLICATIONS

Pellor store, announced Jul. 2020[online], [site visited Apr. 19, 2022], Available on internet, URL:https://www.amazon.com/Pushup-Stands-Equipment-Anti-Slid-Exercise/dp/B08CCB2PGJ/ref (Year: 2020).*

* cited by examiner

Primary Examiner — Khawaja Anwar

Assistant Examiner — Julice Seung Eun Oum

(74) *Attorney, Agent, or Firm* — Cantor Colburn LLP

(57) **CLAIM**

The ornamental design for a pushup bar, as shown and described.

DESCRIPTION

FIG. 1 is a front, top, and right side perspective view of a pushup bar showing my design;
FIG. 2 is a front elevation view thereof;
FIG. 3 is a rear elevation view thereof;
FIG. 4 is a left side elevation view thereof;
FIG. 5 is a right side elevation view thereof;
FIG. 6 is a top plan view thereof; and,
FIG. 7 is a bottom plan view thereof.

The broken lines used in the drawings are for the purpose of illustrating environmental structure and form no part of the claimed design.

1 Claim, 7 Drawing Sheets

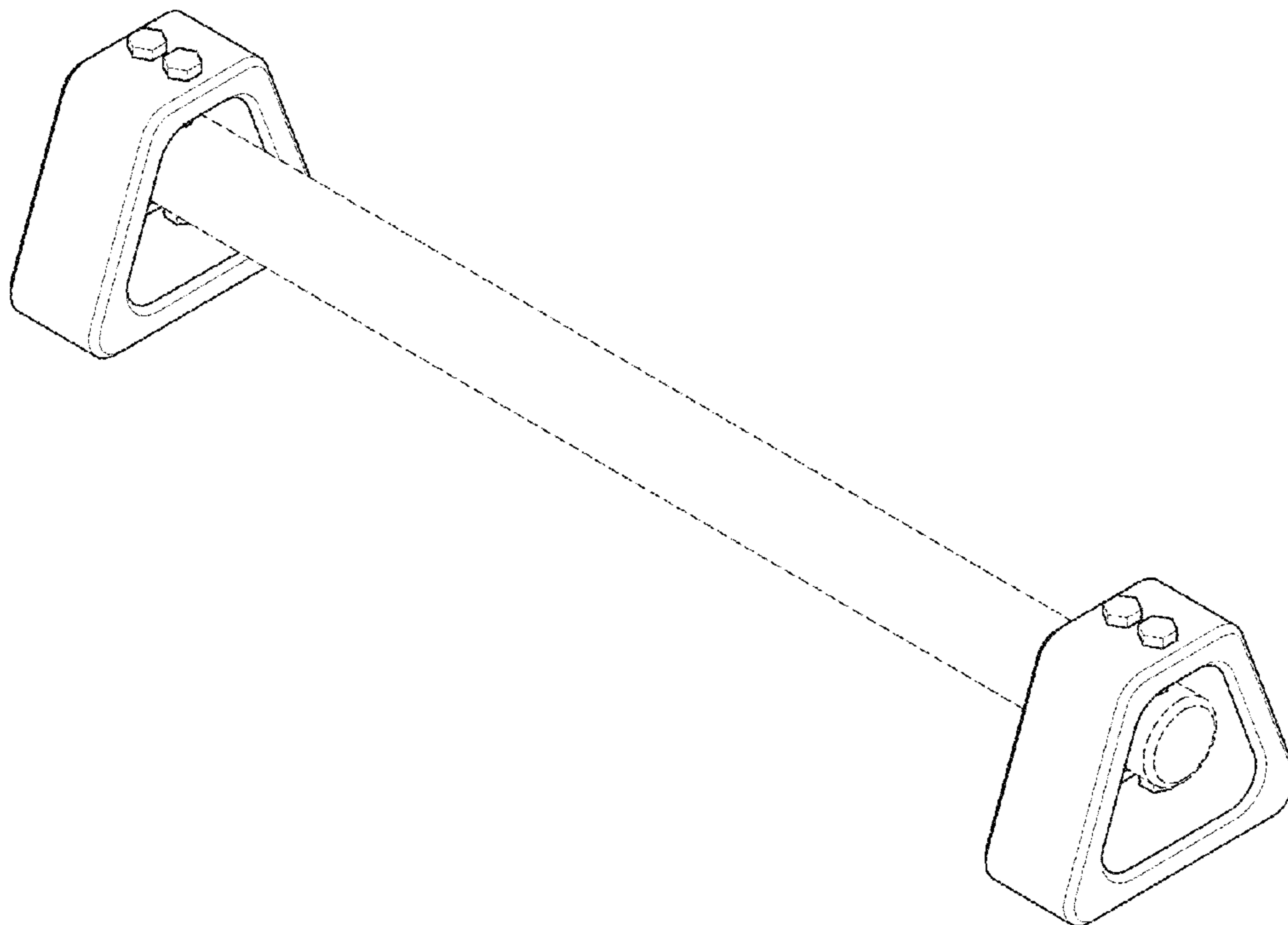


FIG. 1

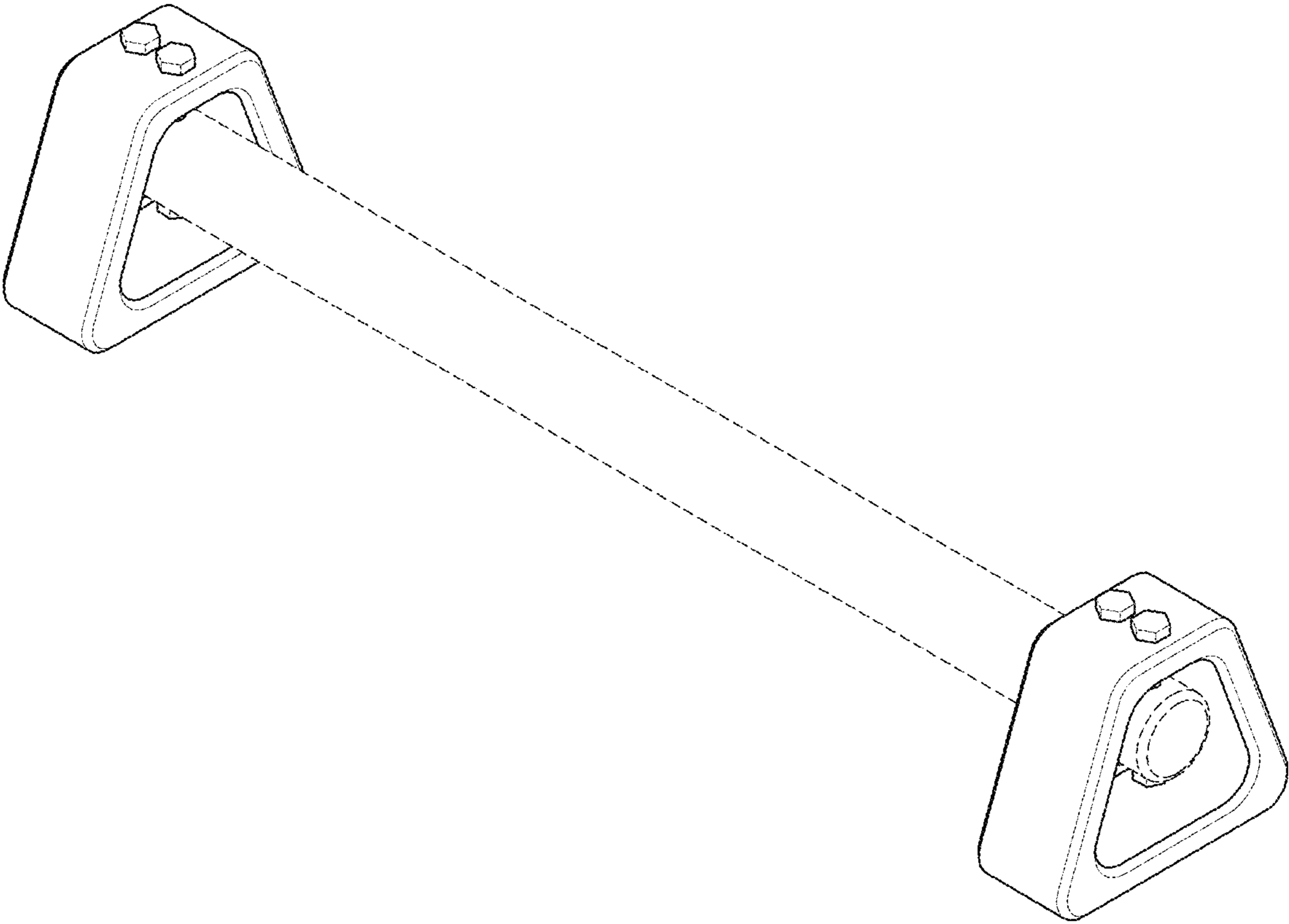


FIG. 2

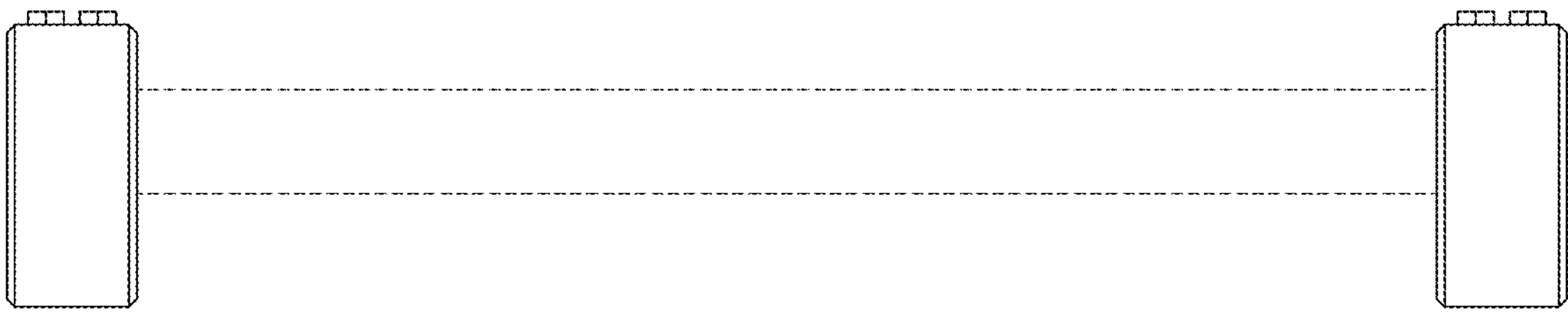


FIG. 3

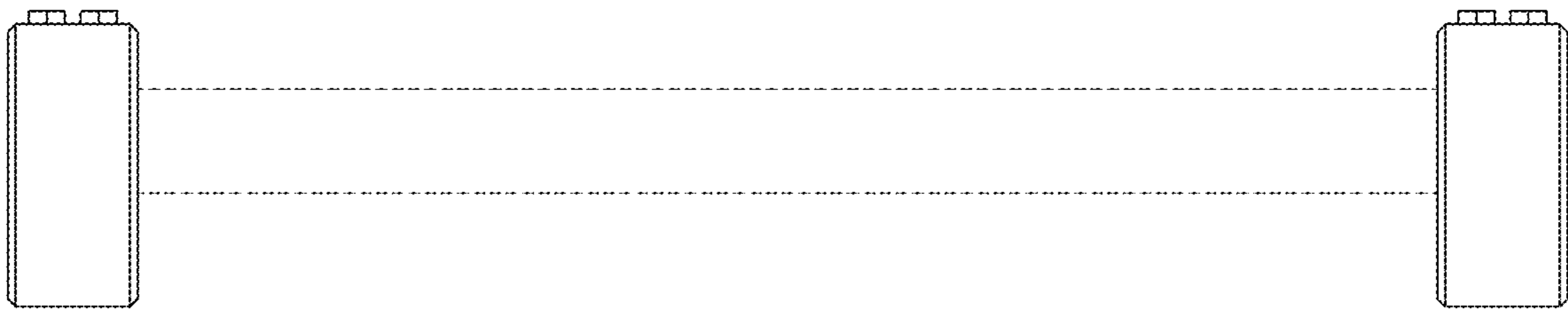


FIG. 4

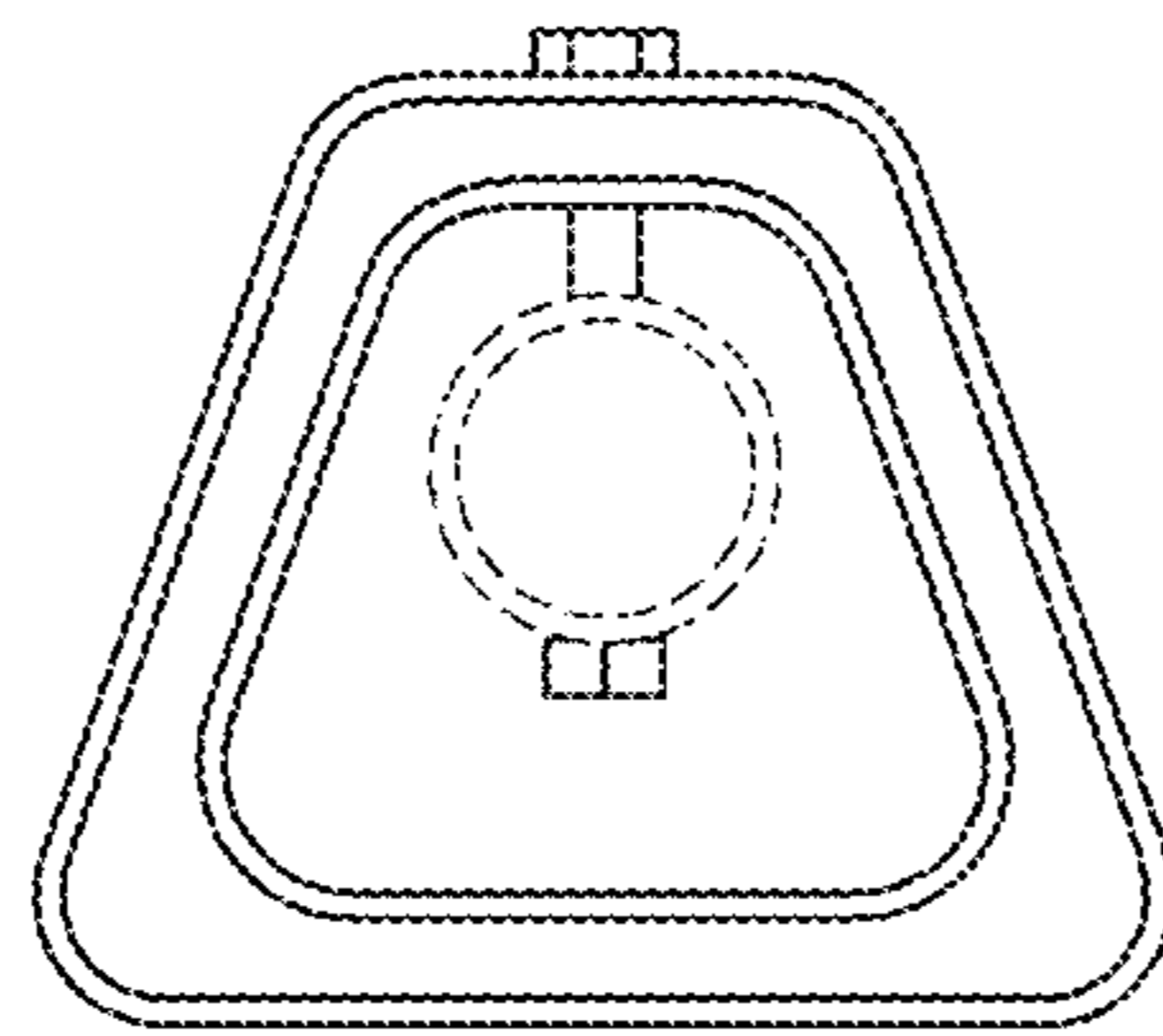


FIG. 5

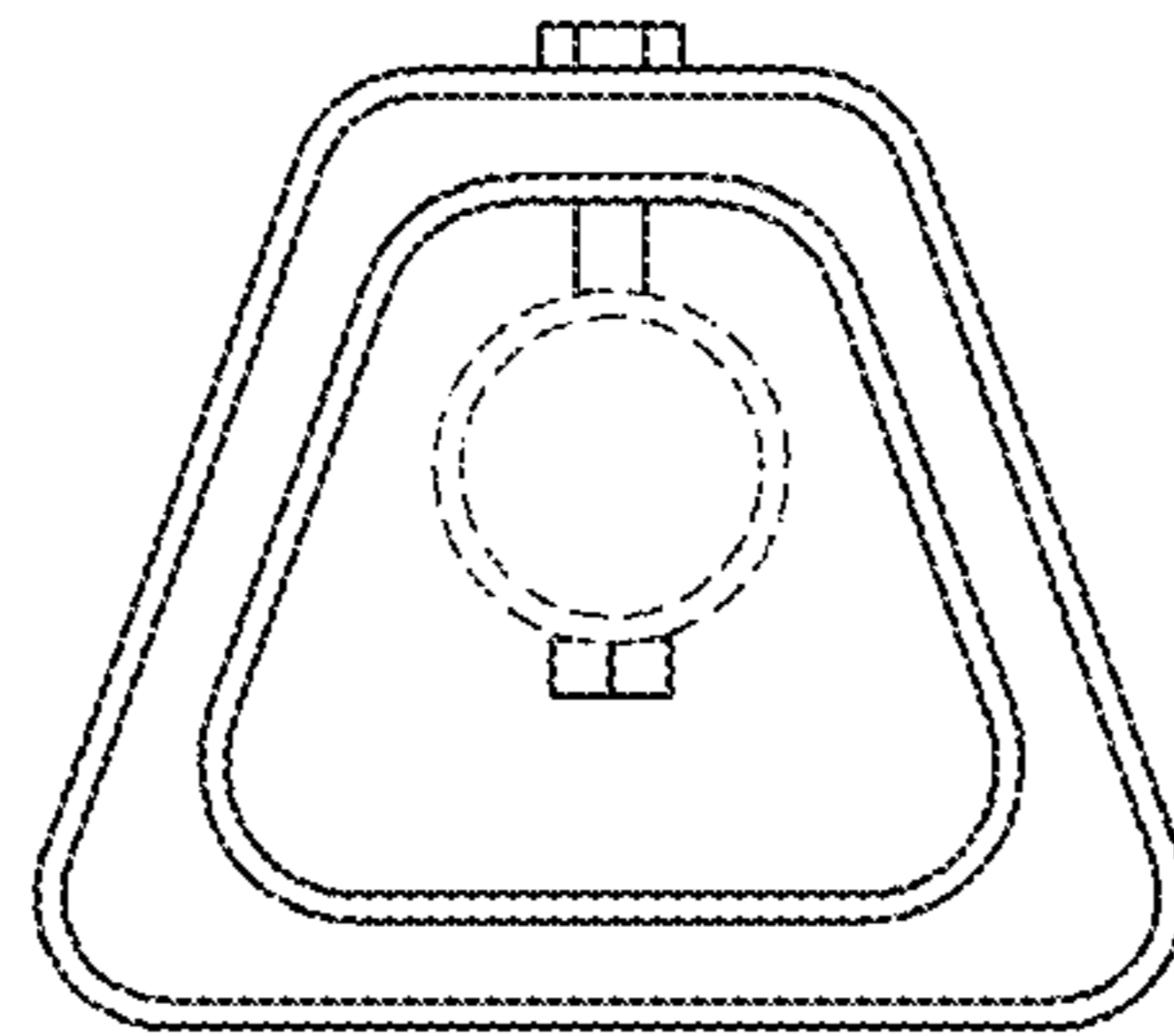


FIG. 6



FIG. 7

