



US00D961700S

(12) **United States Design Patent**
Swallows

(10) **Patent No.:** **US D961,700 S**

(45) **Date of Patent:** **** Aug. 23, 2022**

(54) **FOUR-SQUARE WORKOUT RIG**

(71) Applicant: **Bob Swallows**, Nashville, TN (US)

(72) Inventor: **Bob Swallows**, Nashville, TN (US)

(**) Term: **15 Years**

(21) Appl. No.: **29/753,949**

(22) Filed: **Oct. 5, 2020**

(51) **LOC (13) Cl.** **21-02**

(52) **U.S. Cl.**
USPC **D21/686**

(58) **Field of Classification Search**
USPC D21/673, 675, 686, 662, 665, 677, 679,
D21/980, 681, 694
See application file for complete search history.

(56) **References Cited**

U.S. PATENT DOCUMENTS

4,306,715	A *	12/1981	Sutherland	A63B 21/078 482/104
4,772,011	A *	9/1988	Guridi	A63B 21/1627 482/40
6,299,568	B1 *	10/2001	Prok	A63B 23/00 482/93
D471,992	S *	3/2003	Hughes	D25/122
D636,038	S *	4/2011	Henniger	D21/691
D636,039	S *	4/2011	Henniger	D21/691
9,192,799	B2 *	11/2015	Alenaddaf	A63B 71/0036
D771,276	S *	11/2016	Walker	D25/123
2015/0065316	A1 *	3/2015	Towley, III	A63B 21/078 482/104
2015/0076092	A1 *	3/2015	Tambornino	A63B 21/078 211/85.7
2017/0100624	A1 *	4/2017	Young	A63B 71/023
2018/0036573	A1 *	2/2018	Lennox	A63B 21/22
2018/0117382	A1 *	5/2018	Johanson	A63B 17/04

(Continued)

Primary Examiner — Khawaja Anwar
Assistant Examiner — Julice Seung Eun Oum

(74) *Attorney, Agent, or Firm* — Patterson Intellectual Property Law, P.C.; Alex H. Huffstutter

(57) **CLAIM**

The ornamental design for a four-square work out rig, as shown and described.

DESCRIPTION

FIG. 1 is a top perspective view showing a four-square workout rig of Applicants' invention.

FIG. 2 is a bottom perspective view of the four-square workout rig of FIG. 1.

FIG. 3 is a front elevation view of the four-square workout rig of FIG. 1, the rear, left, and right elevation views being identical mirror images thereto.

FIG. 4 is top plan view of the four-square workout rig of FIG. 1.

FIG. 5 is bottom plan view of the four-square workout rig of FIG. 1.

FIG. 6 is a top perspective view of the second embodiment showing a four-square workout rig of the Applicants invention.

FIG. 7 is a bottom perspective view of the four-square workout rig of FIG. 6.

FIG. 8 is a front elevation view of the four-square workout rig of FIG. 6, the rear, left, and right elevation views being identical mirror images thereto.

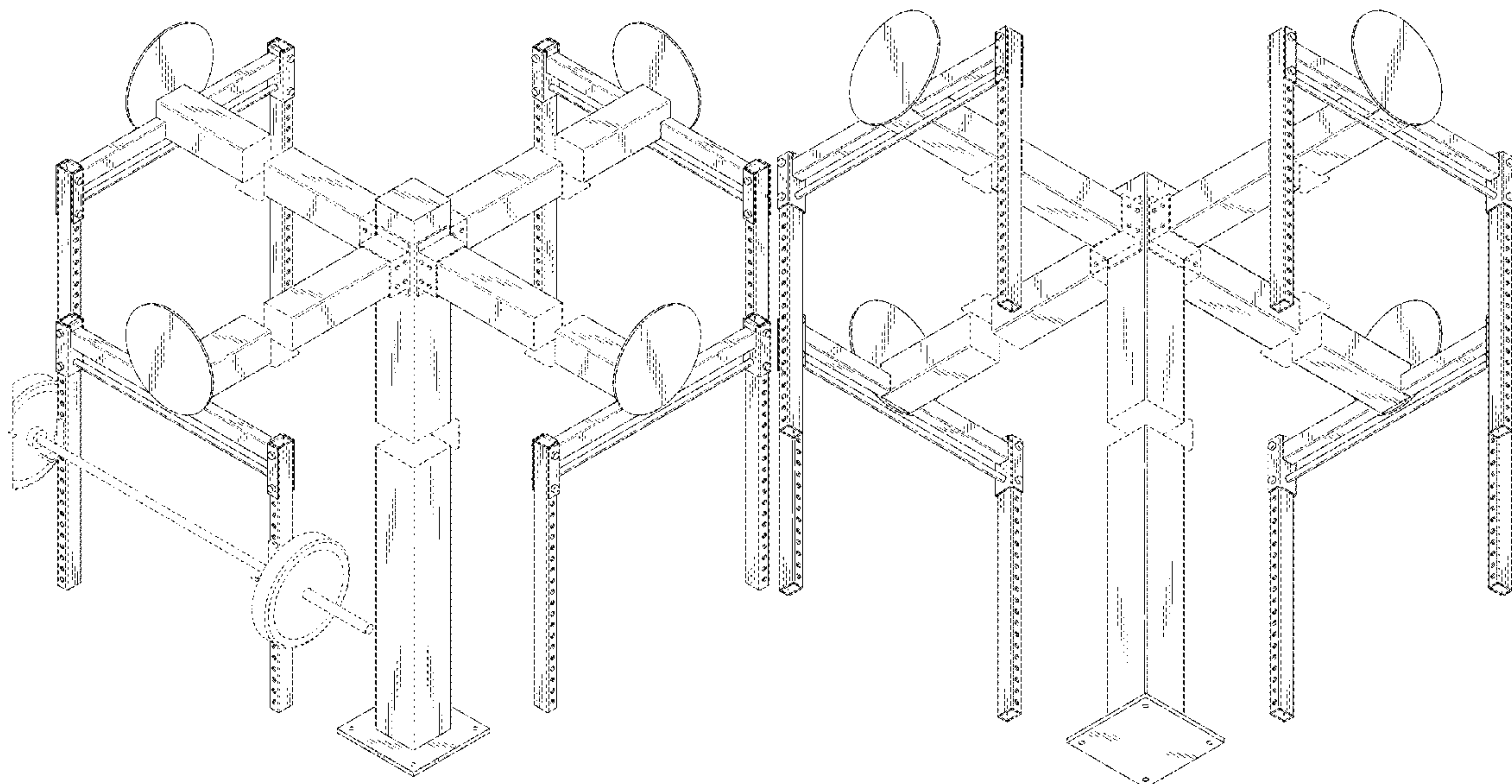
FIG. 9 is top plan view of the four-square workout rig of FIG. 6; and,

FIG. 10 is bottom plan view of the four-square workout rig of FIG. 6.

The broken lines in the figures are used to represent subject matter that forms no part of the claimed design.

Where the figures show the article broken away, the break lines are understood to indicate unclaimed length, and any portion of the article between the break lines forms no part of the claimed design.

1 Claim, 10 Drawing Sheets



(56)

References Cited

U.S. PATENT DOCUMENTS

2018/0142832 A1* 5/2018 Inouye F16M 13/022
2019/0388721 A1* 12/2019 Schlegel A63B 71/023
2020/0114191 A1* 4/2020 Chen A63B 71/0036

* cited by examiner

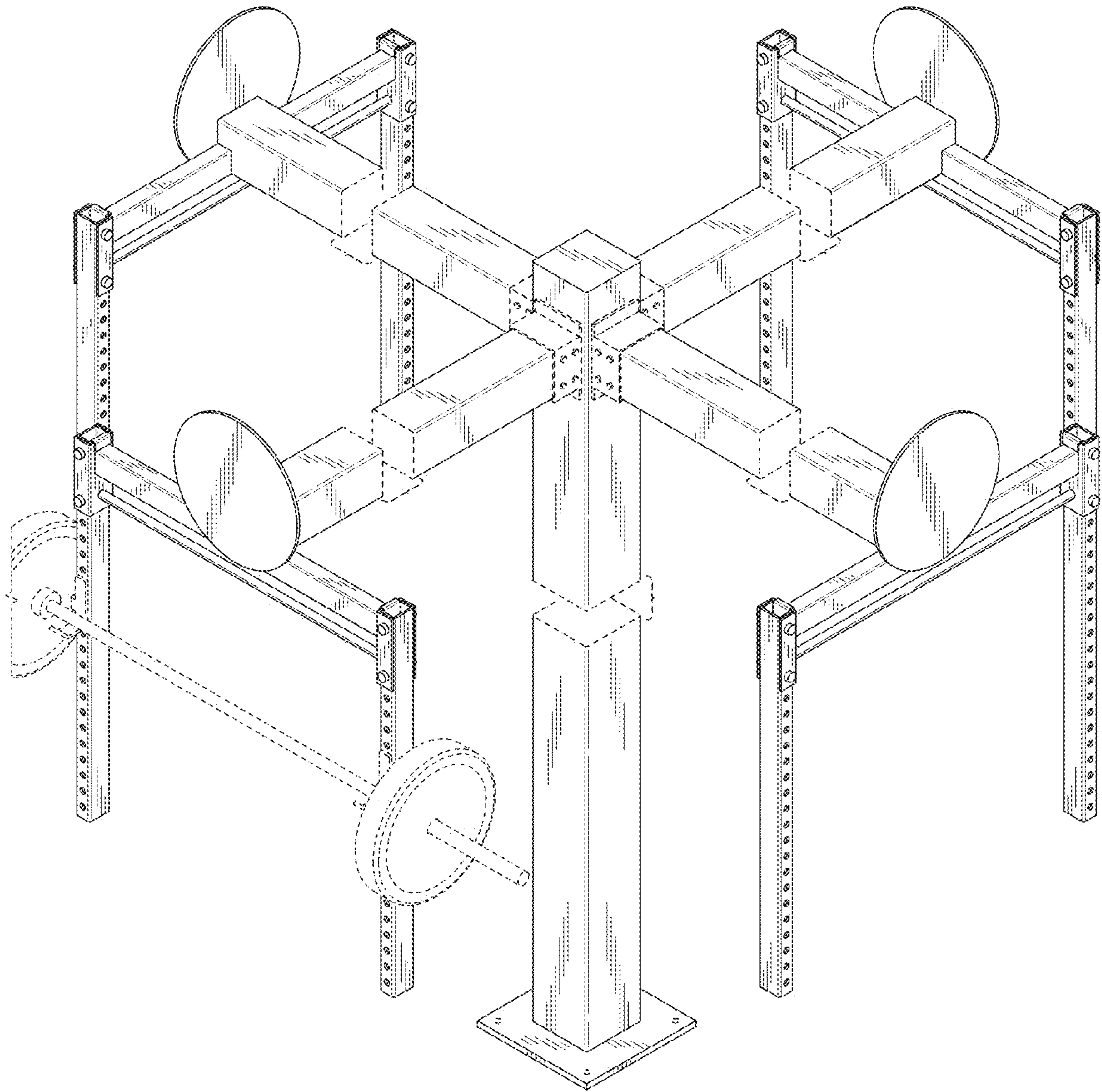


FIG. 1

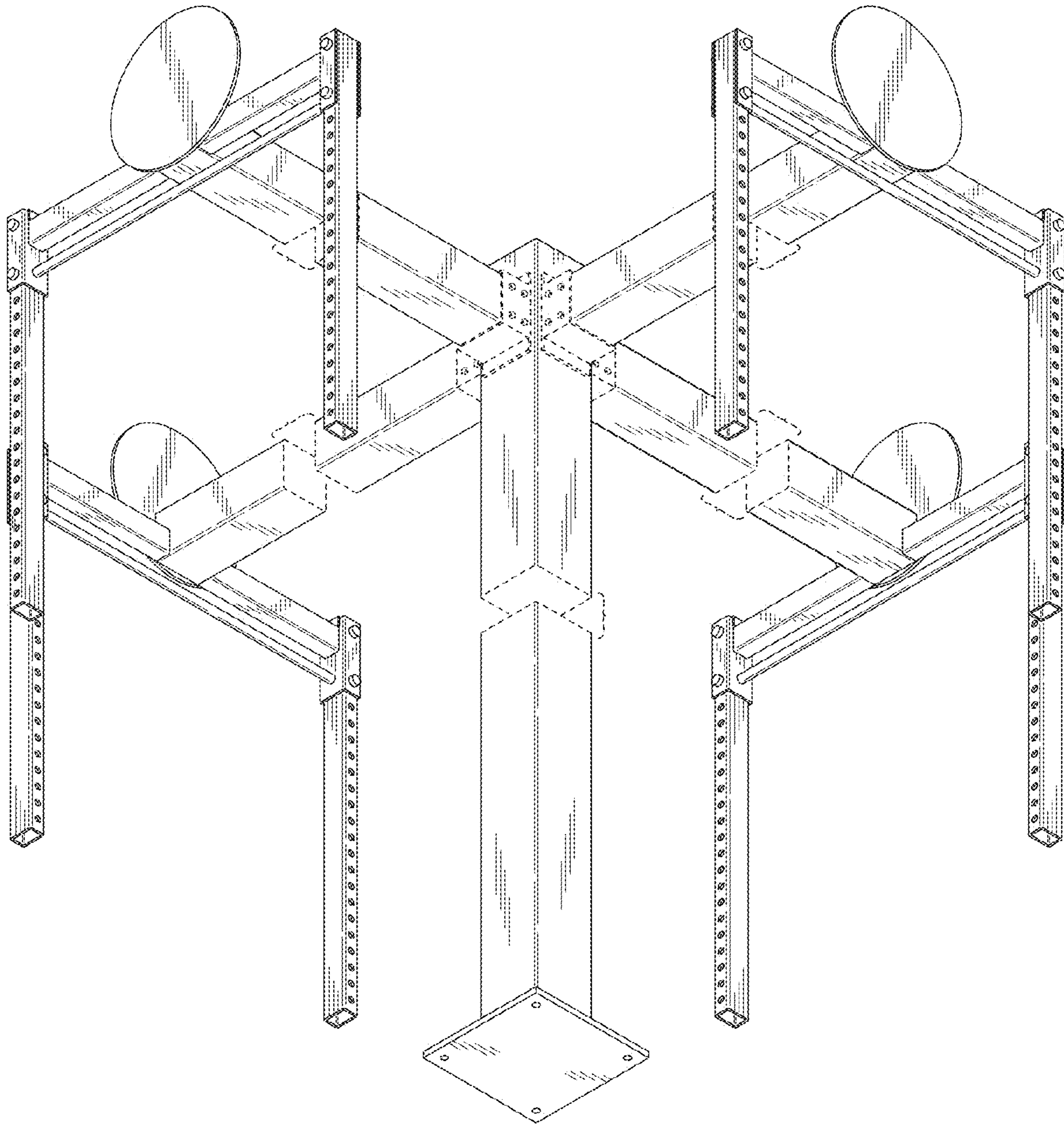


FIG. 2

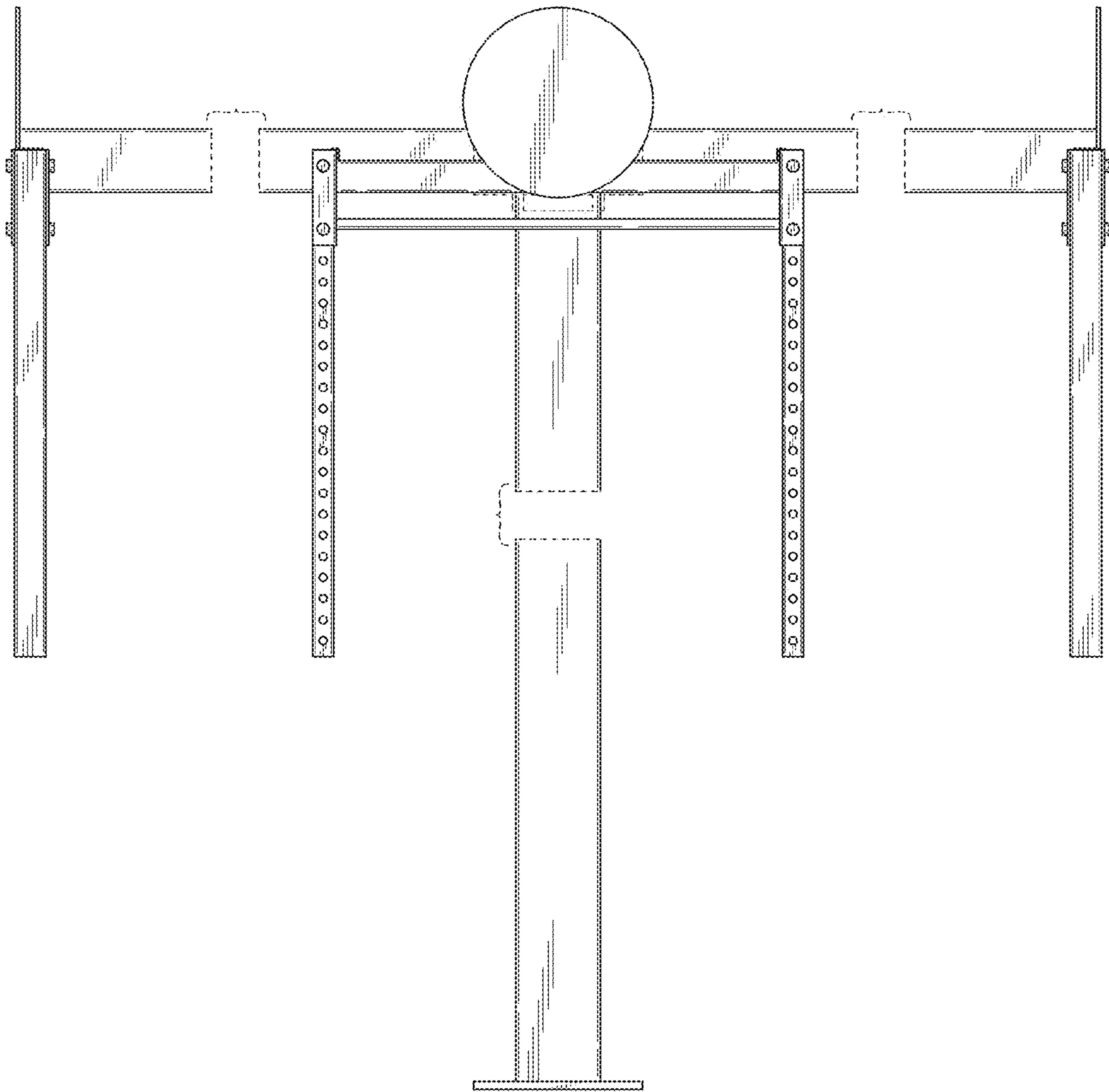


FIG. 3

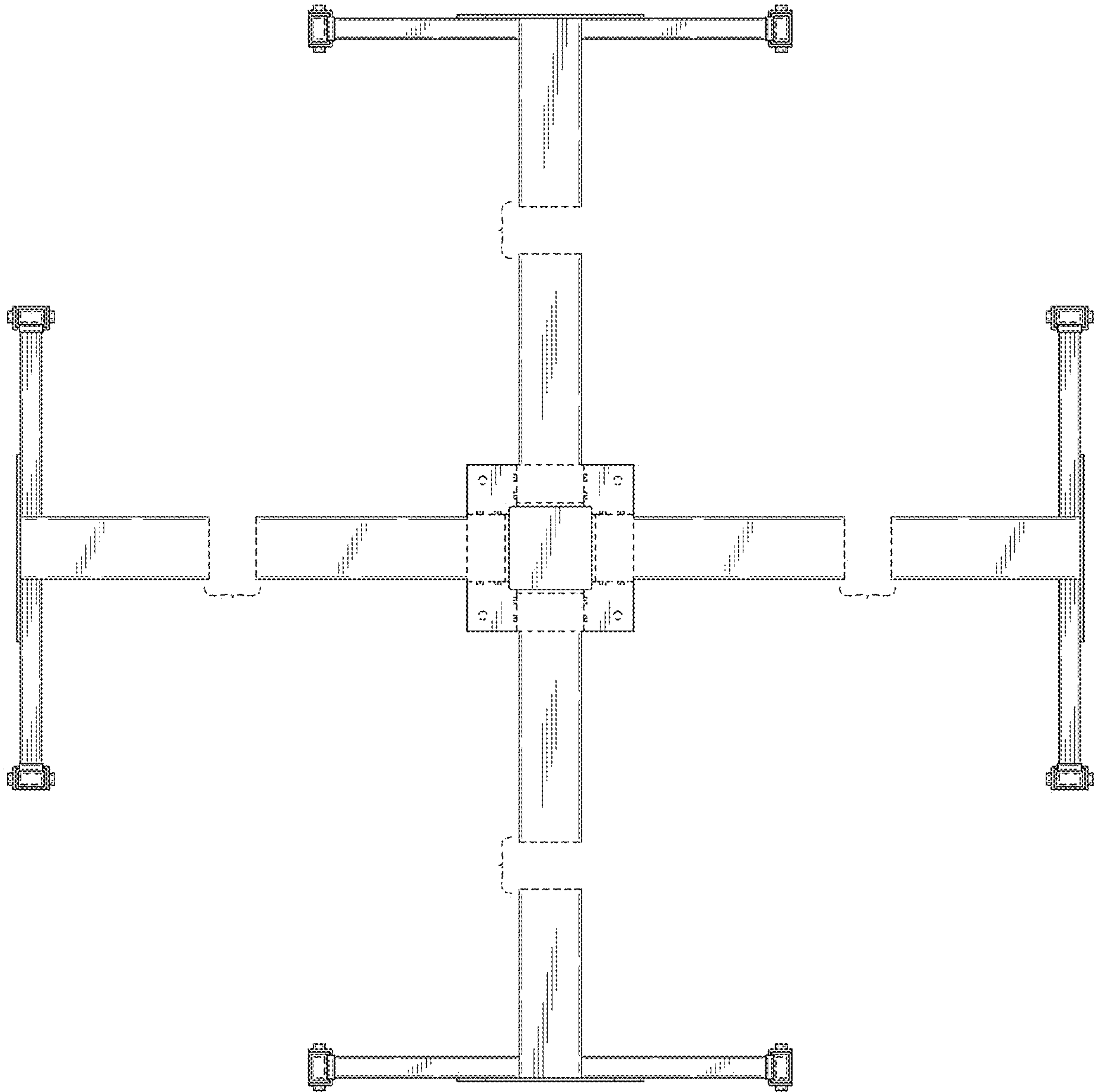


FIG. 4

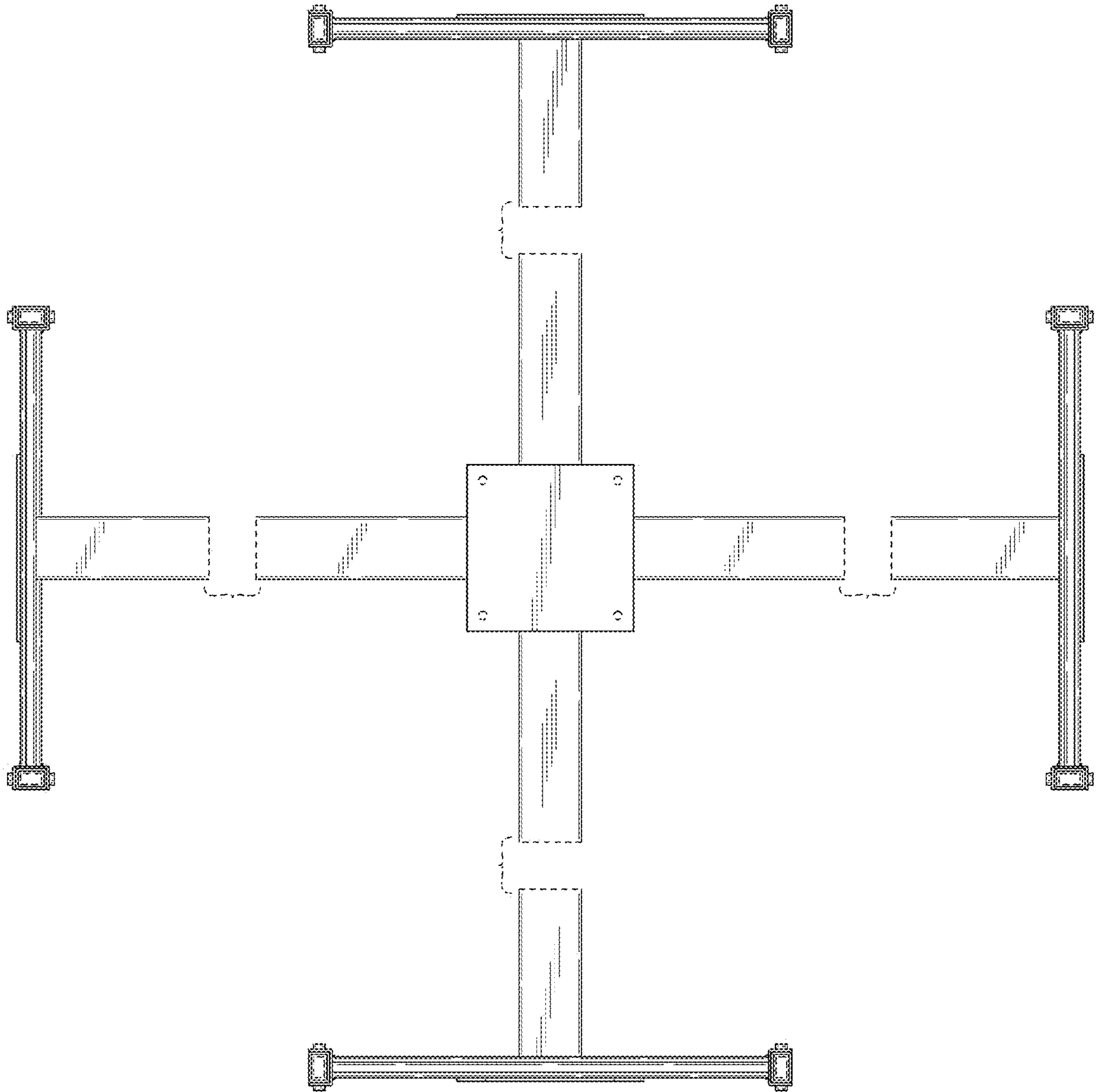


FIG. 5

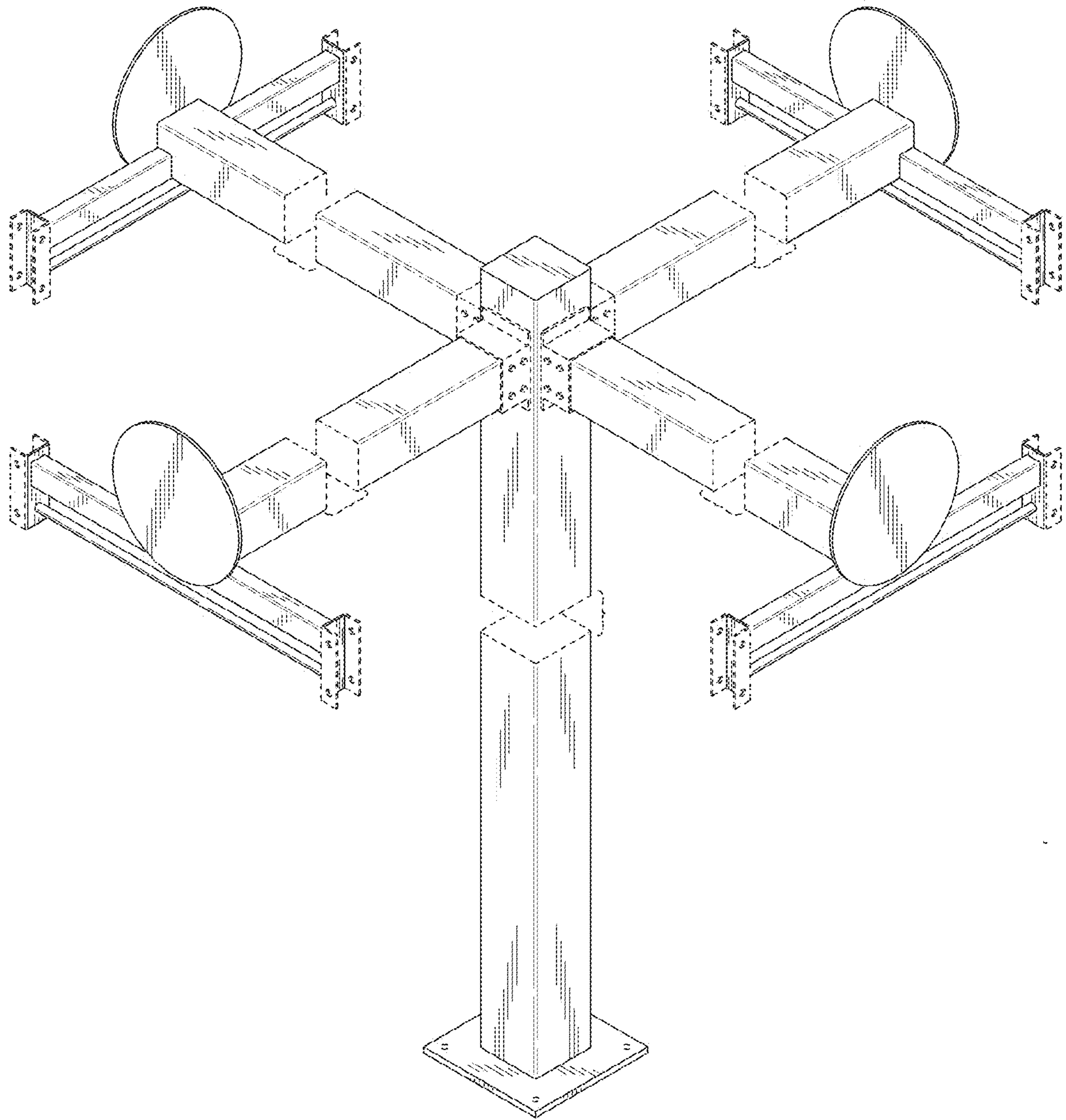


FIG. 6

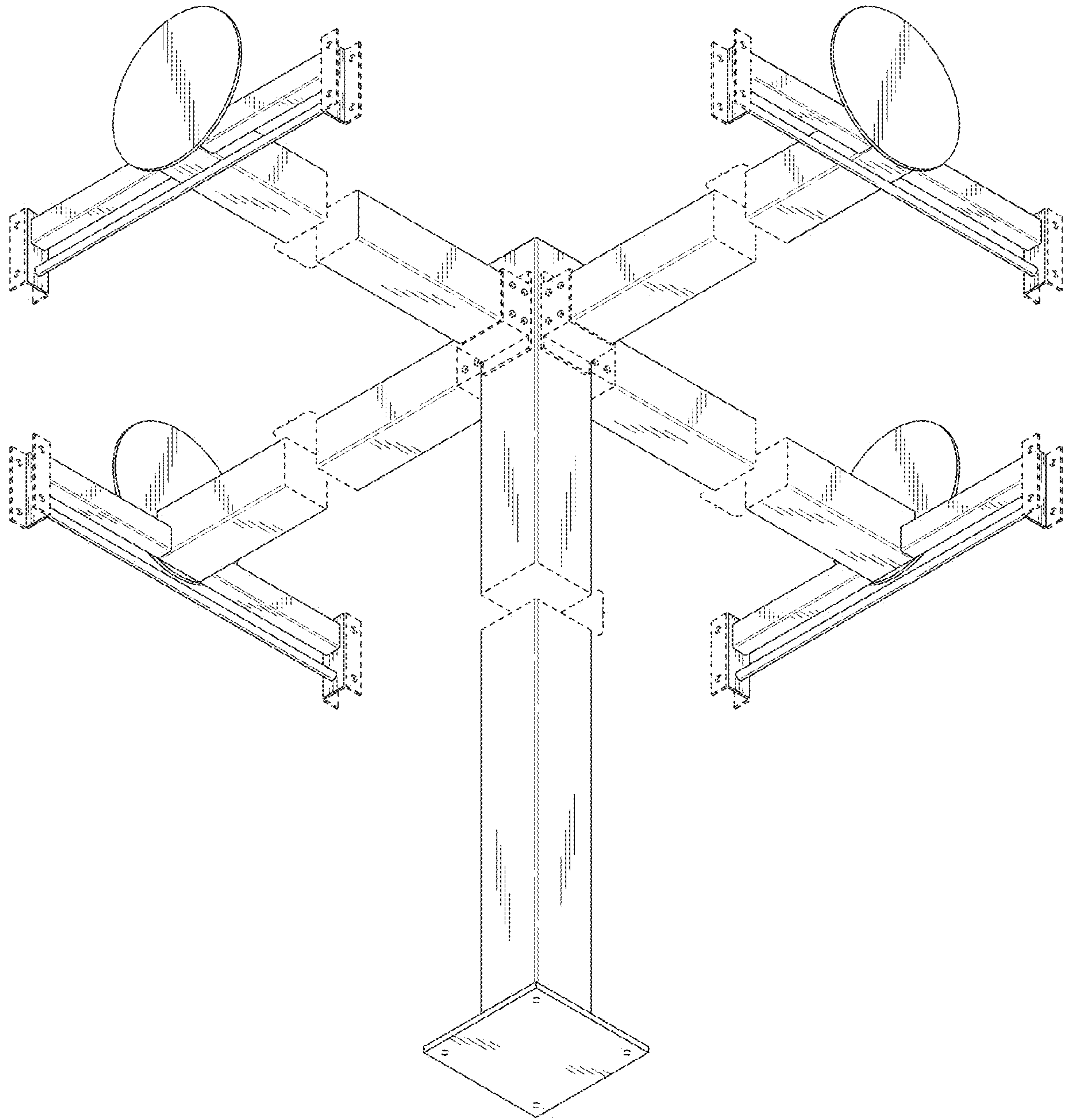


FIG. 7

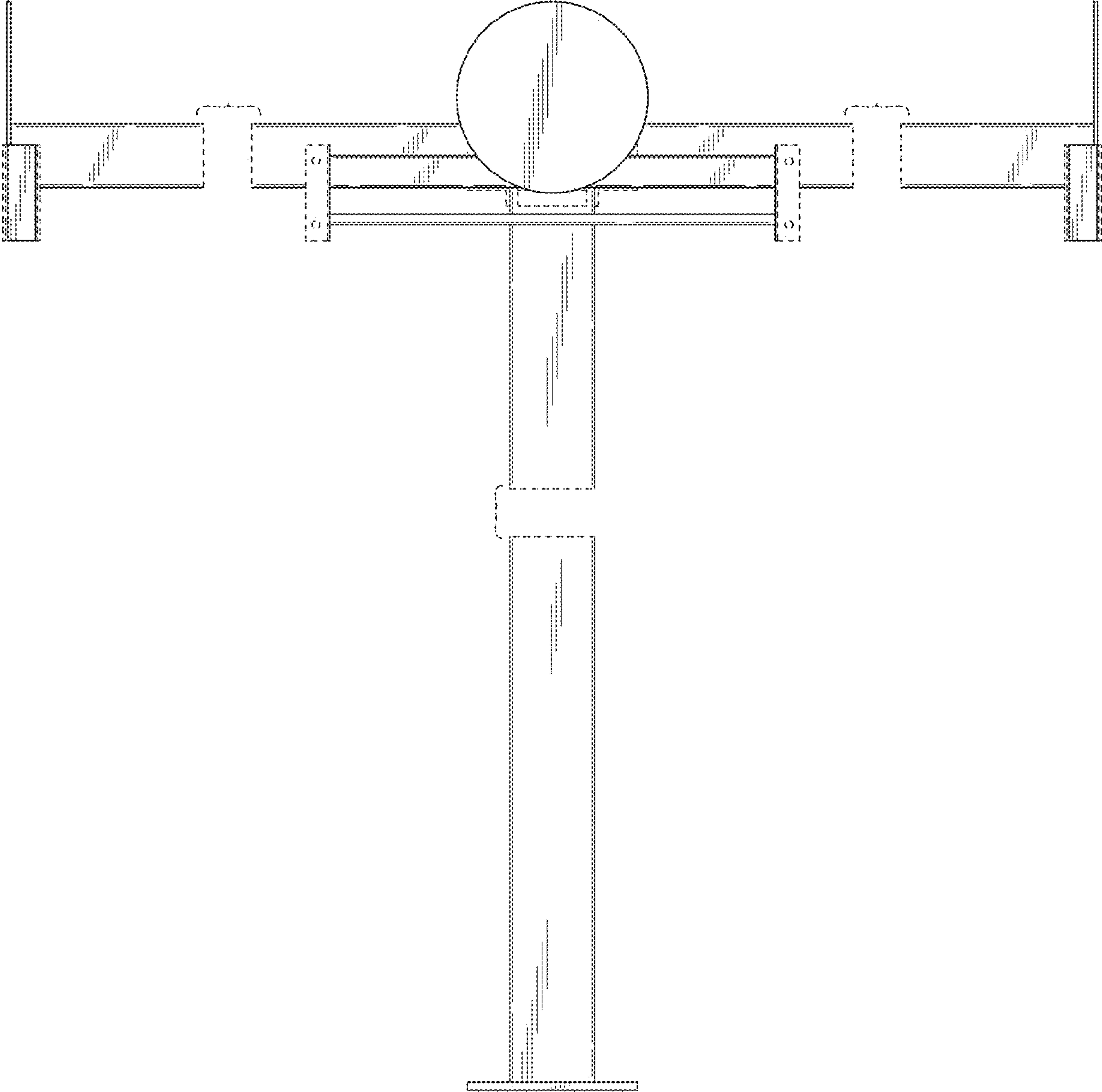


FIG. 8

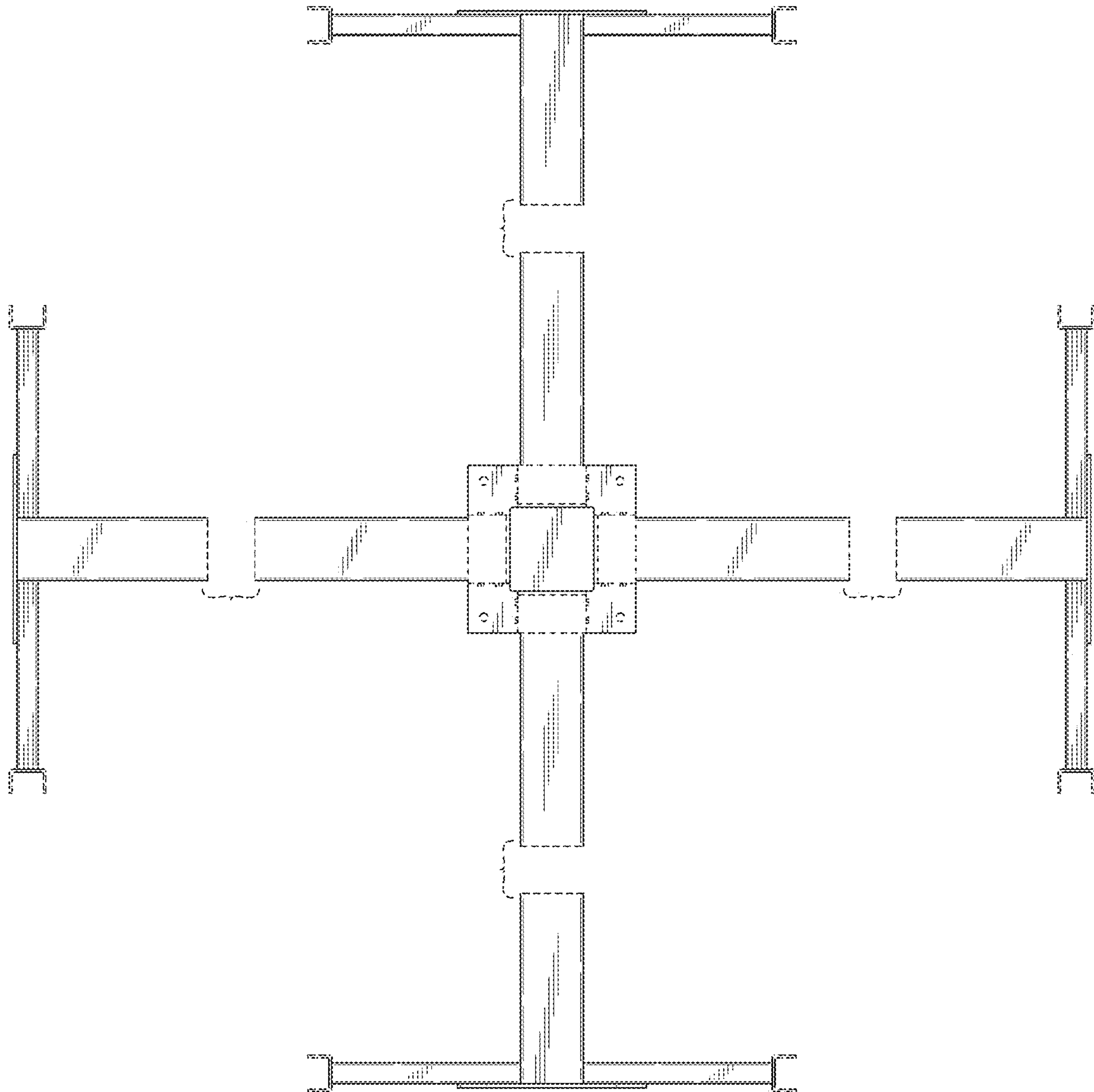


FIG. 9

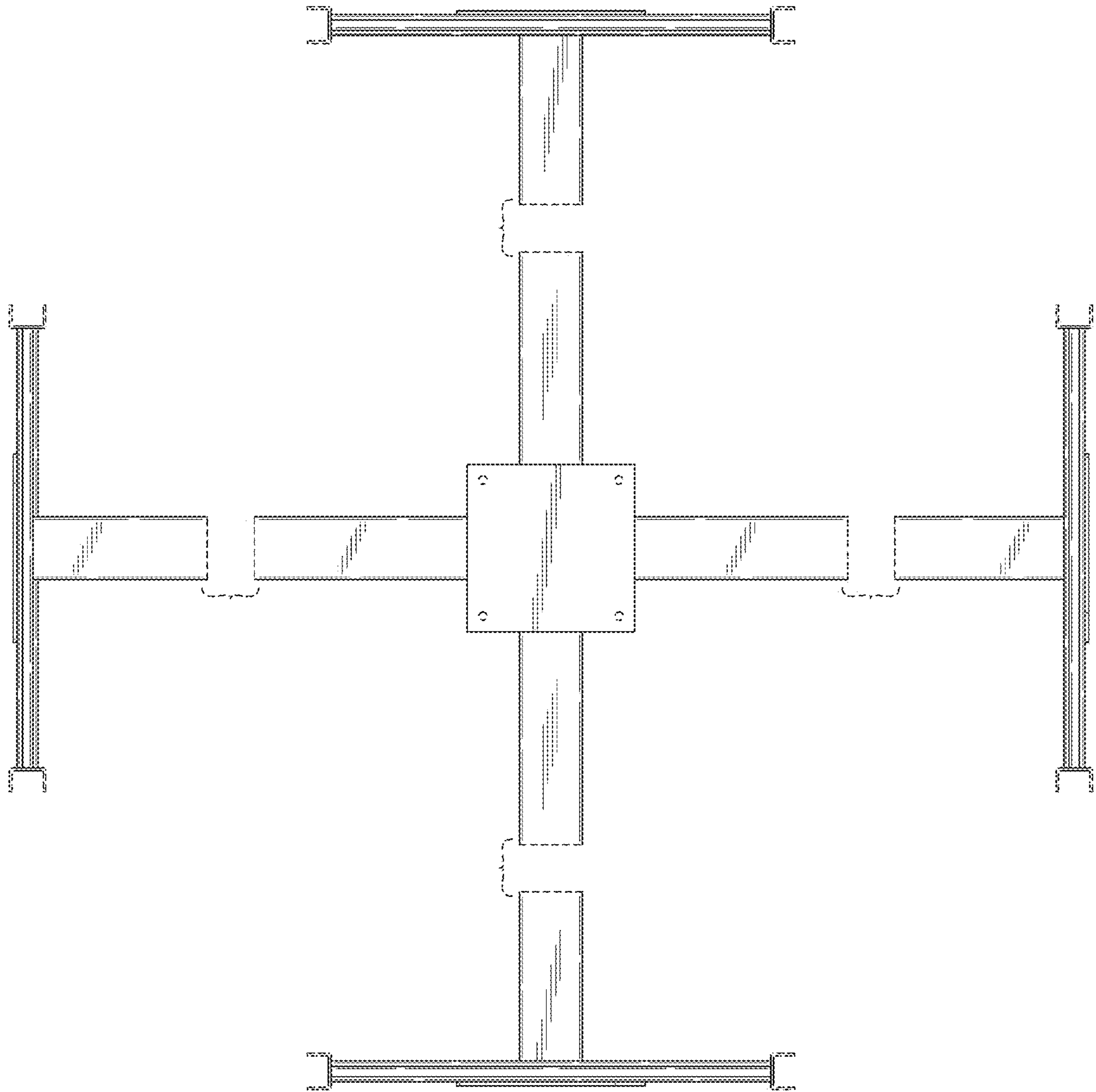


FIG. 10