



US00D961694S

(12) **United States Design Patent**
Xie

(10) **Patent No.:** **US D961,694 S**

(45) **Date of Patent:** **** Aug. 23, 2022**

(54) **TOY**
(71) Applicant: **SHANTOU CHENGQILONG TRADING CO., LTD.**, Shantou (CN)

D872,386 S 1/2020 Seadler et al.
D881,287 S * 4/2020 Katayama D21/578
D881,288 S * 4/2020 Katayama D21/615
D886,915 S * 6/2020 Ikoma D21/615
D886,917 S * 6/2020 Ikoma D21/615

(72) Inventor: **Ruibo Xie**, Shantou (CN)
(73) Assignee: **SHANTOU CHENGQILONG TRADING CO., LTD.**, Shantou (CN)

OTHER PUBLICATIONS

“[Simple Sharing] Cheng Qilong Long Feather Raptor Cryptovolans” Aug. 17, 2021, site visited Mar. 21, 2022, Youtube.com: <https://youtu.be/qwbxxrbEStQ> (Year: 2021).*

(**) Term: **15 Years**

* cited by examiner

(21) Appl. No.: **29/799,489**

(22) Filed: **Jul. 14, 2021**

Primary Examiner — Michael C Stout
Assistant Examiner — Melvin L Davis

(30) **Foreign Application Priority Data**

(57) **CLAIM**

The ornamental design for a toy, as shown and described.

Apr. 16, 2021 (CN) 202130217231.9

(51) **LOC (13) Cl.** **21-02**

(52) **U.S. Cl.**
USPC **D21/615; D21/578**

(58) **Field of Classification Search**
USPC D21/578, 587, 591–593, 596, 615,
D21/621–625, 630, 631, 639, 658–661
See application file for complete search history.

DESCRIPTION

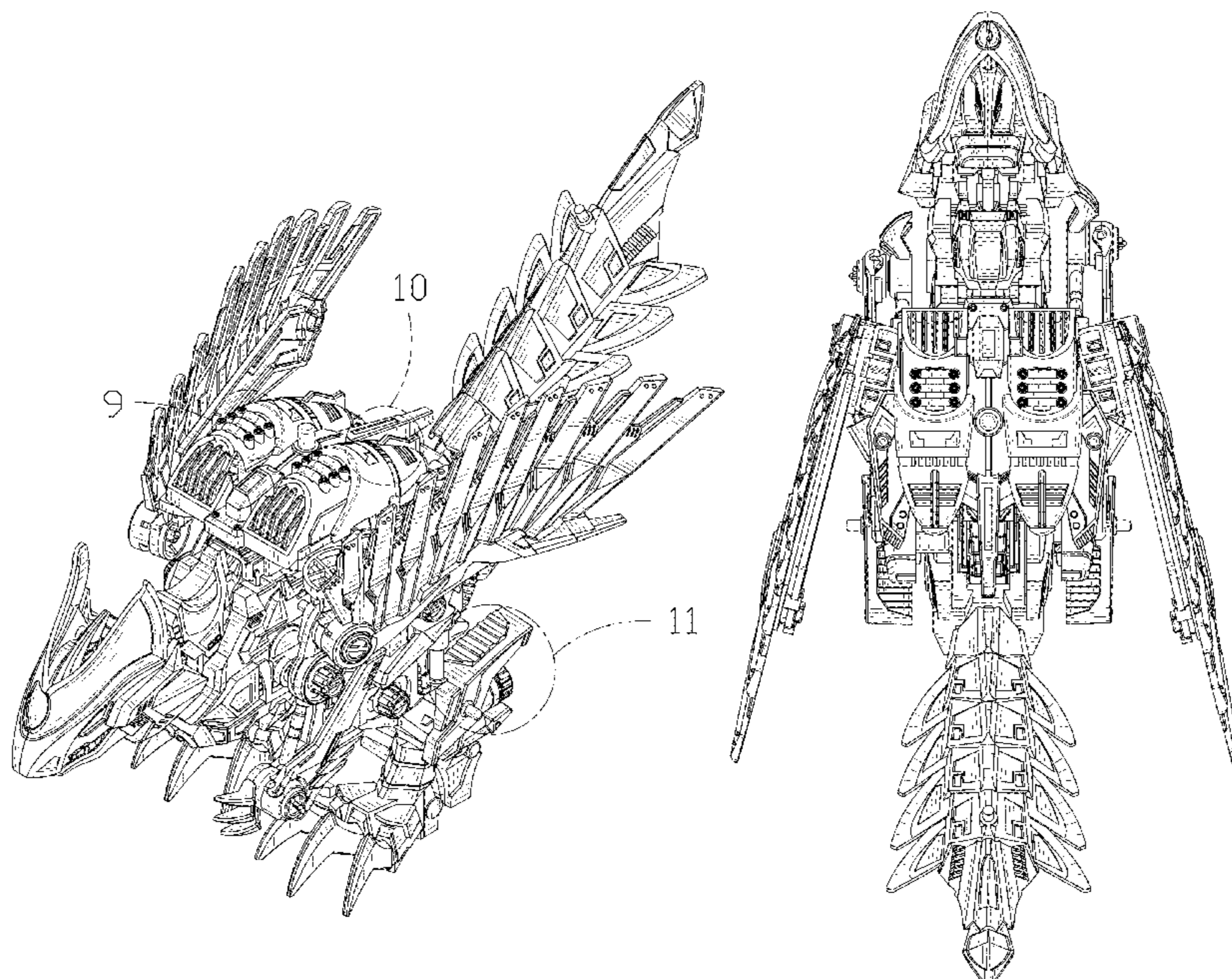
FIG. 1 is a perspective view of a toy showing my new design;
FIG. 2 is another perspective view thereof;
FIG. 3 is a front elevational view thereof;
FIG. 4 is a rear elevational view thereof;
FIG. 5 is a left side elevational view thereof;
FIG. 6 is a right side elevational view thereof;
FIG. 7 is a top plan view thereof;
FIG. 8 is a bottom plan view thereof;
FIG. 9 is an enlarged view of portion 9 shown in FIG. 1;
FIG. 10 is an enlarged view of portion 10 shown in FIG. 1;
and,
FIG. 11 is an enlarged view of portion 11 shown in FIG. 1.
The dash-dash broken lines in the drawings depict portions of the toy that form no part of the claimed design. The dot-dash broken lines represent the boundary of the enlarged portion and form no part of the claimed design.

(56) **References Cited**

U.S. PATENT DOCUMENTS

D478,362 S * 8/2003 Nakase D21/615
D510,963 S * 10/2005 Nakase D21/585
D554,713 S * 11/2007 Wong D21/615
D633,960 S 3/2011 Choy
D785,099 S * 4/2017 Morales D21/615
D785,724 S * 5/2017 Morales D21/615
D867,481 S * 11/2019 Ikoma D21/615
D869,573 S * 12/2019 Ikoma D21/615
D870,215 S * 12/2019 Ikoma D21/615
D871,516 S * 12/2019 Katayama D21/615

1 Claim, 11 Drawing Sheets



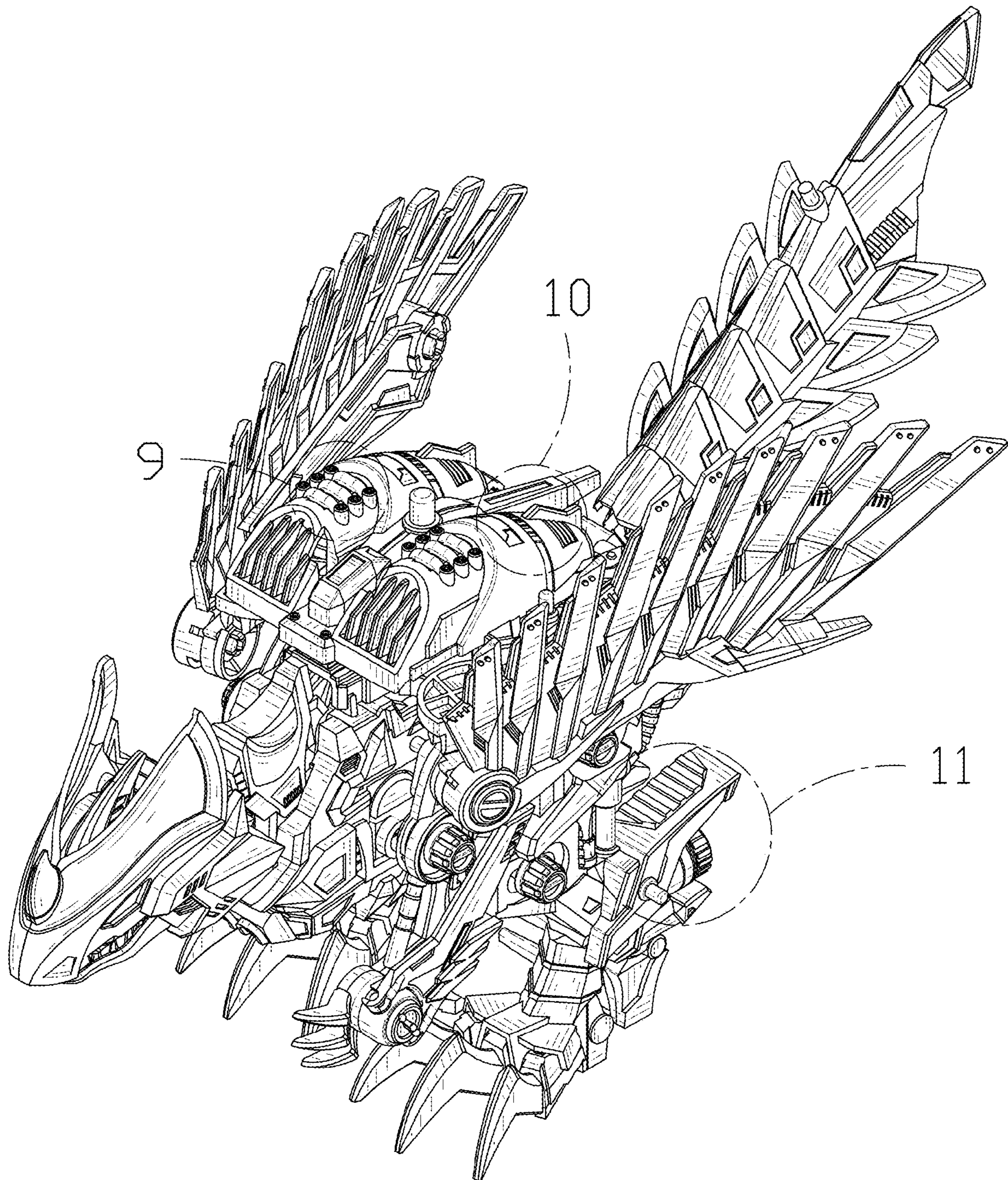


FIG. 1

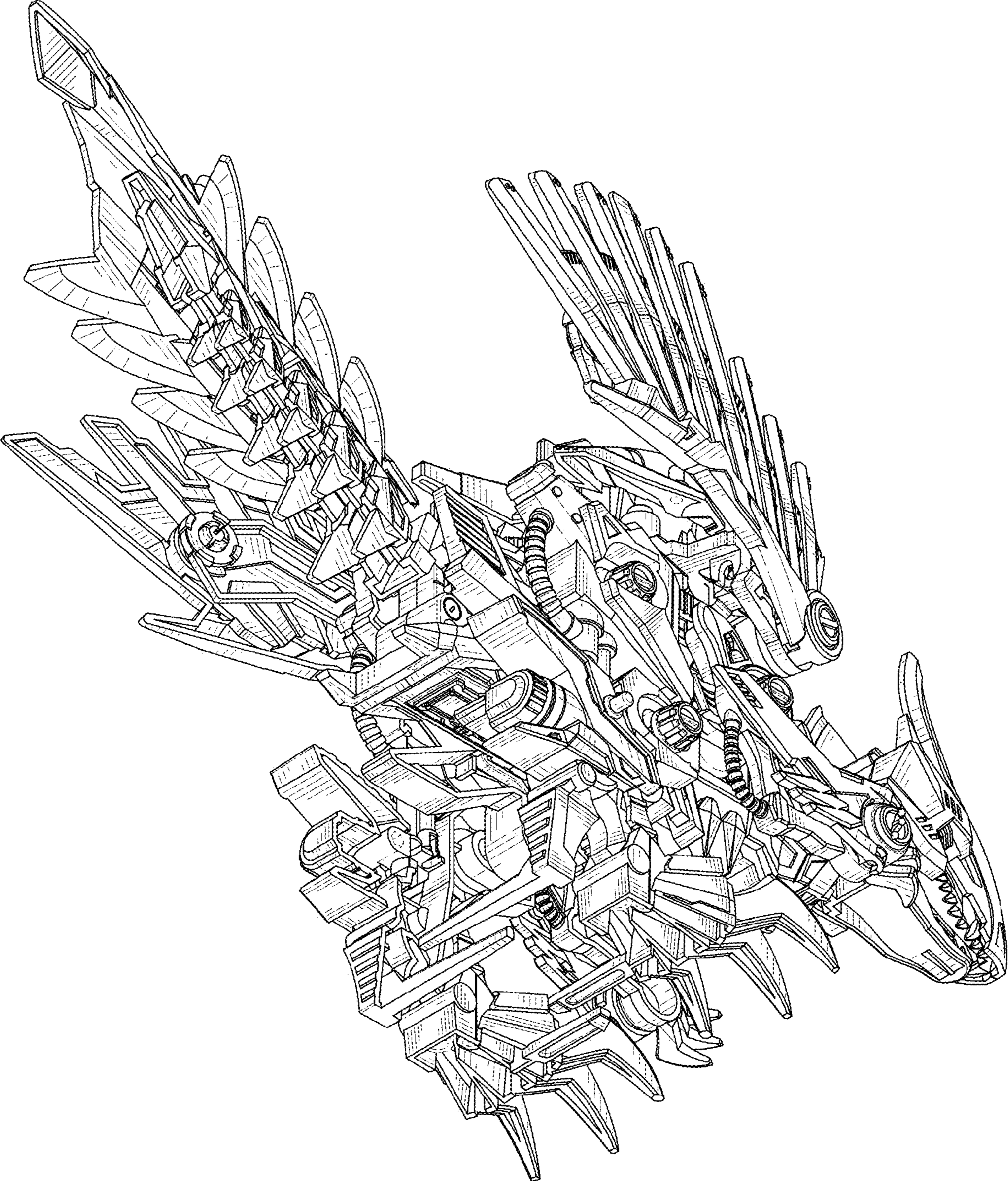


FIG. 2

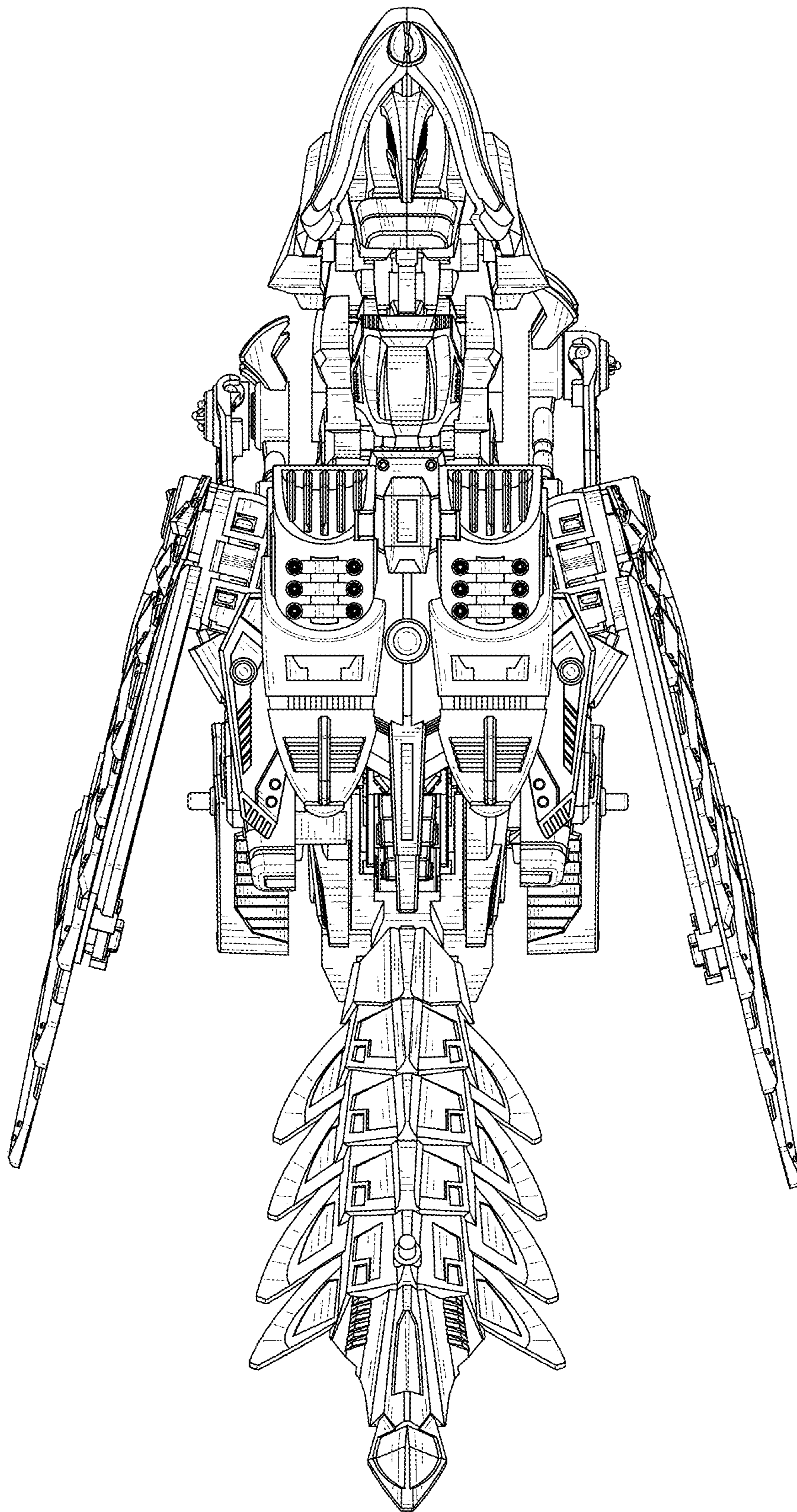


FIG. 3

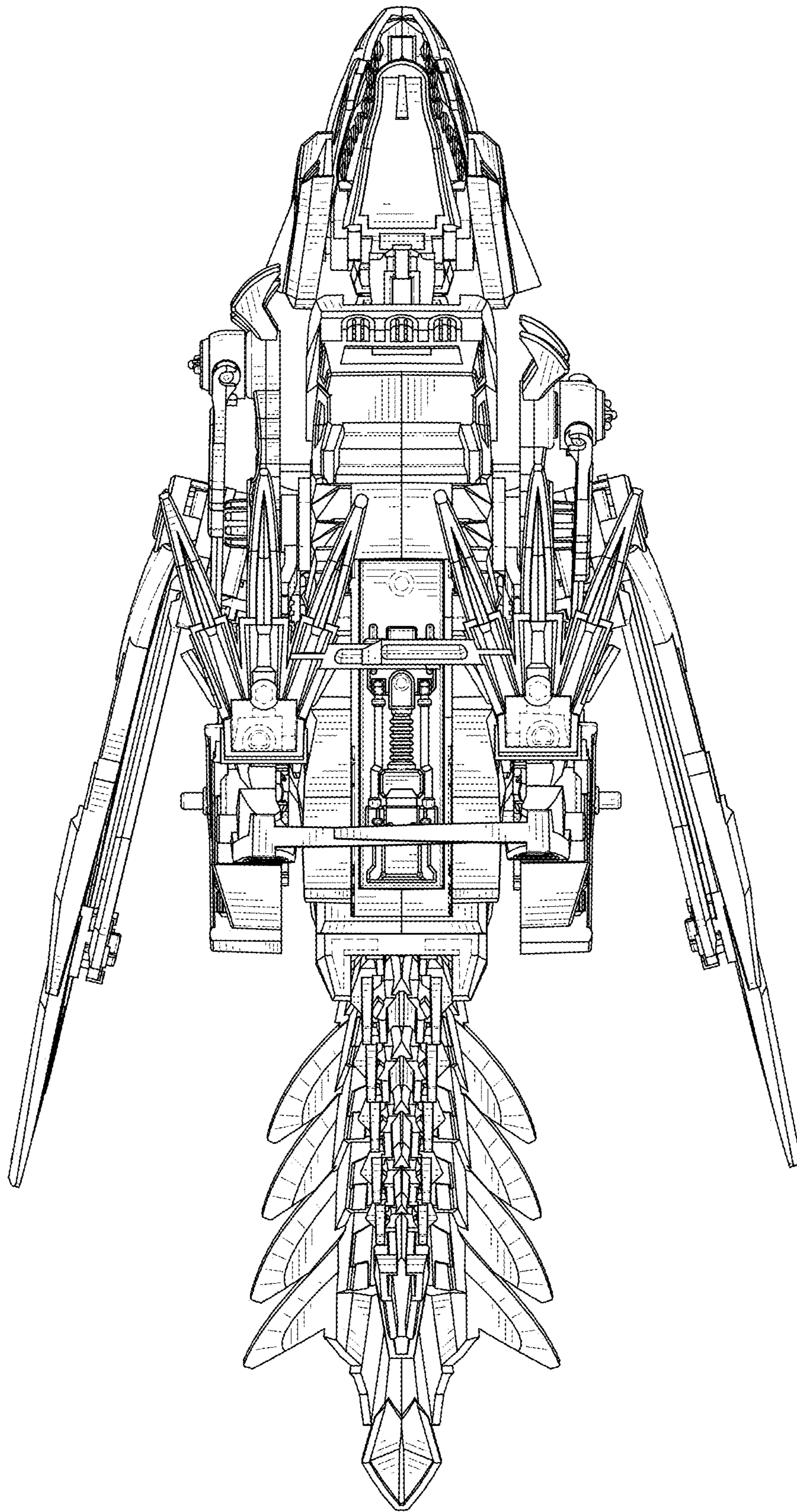


FIG. 4

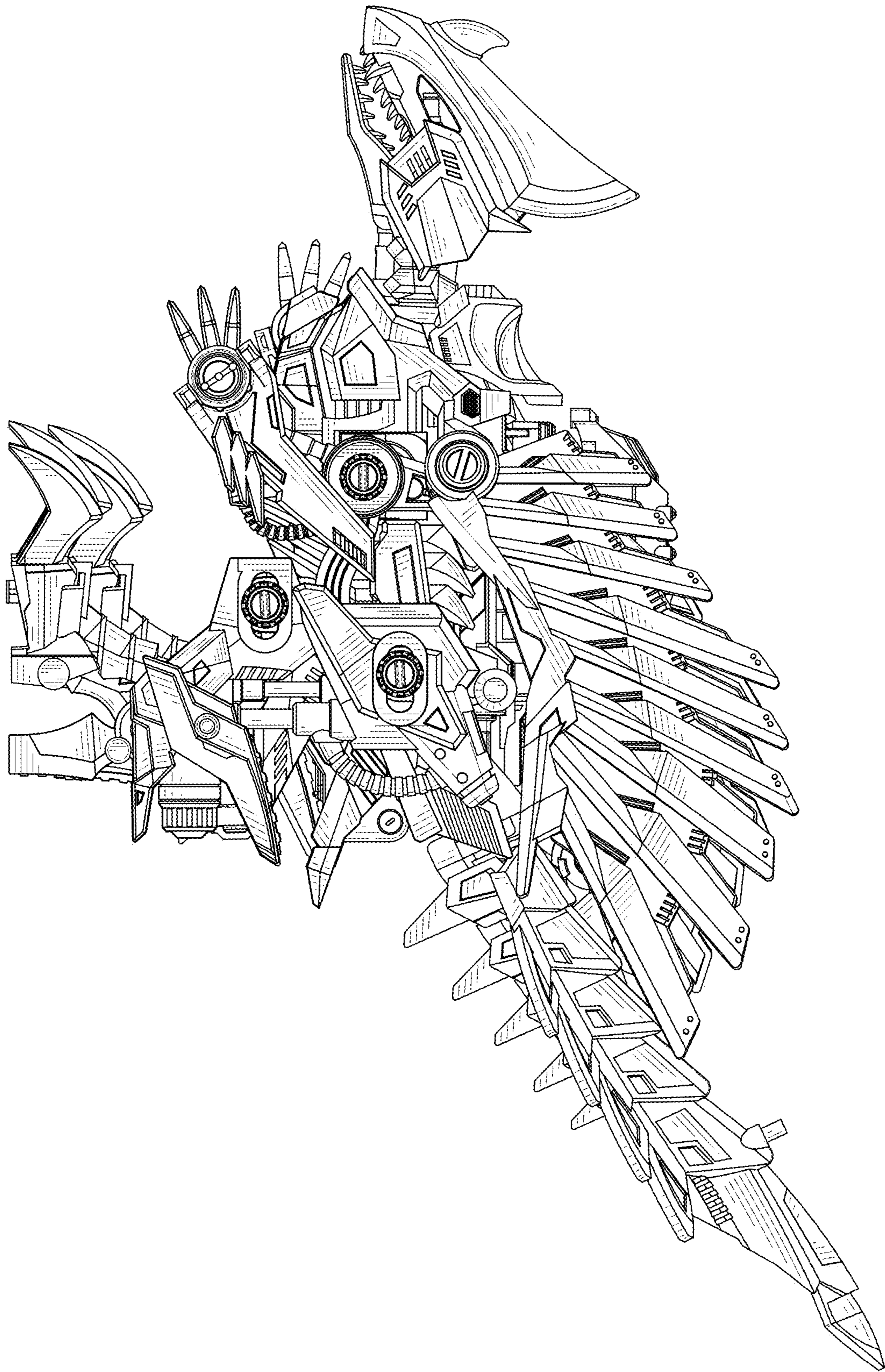


FIG. 5

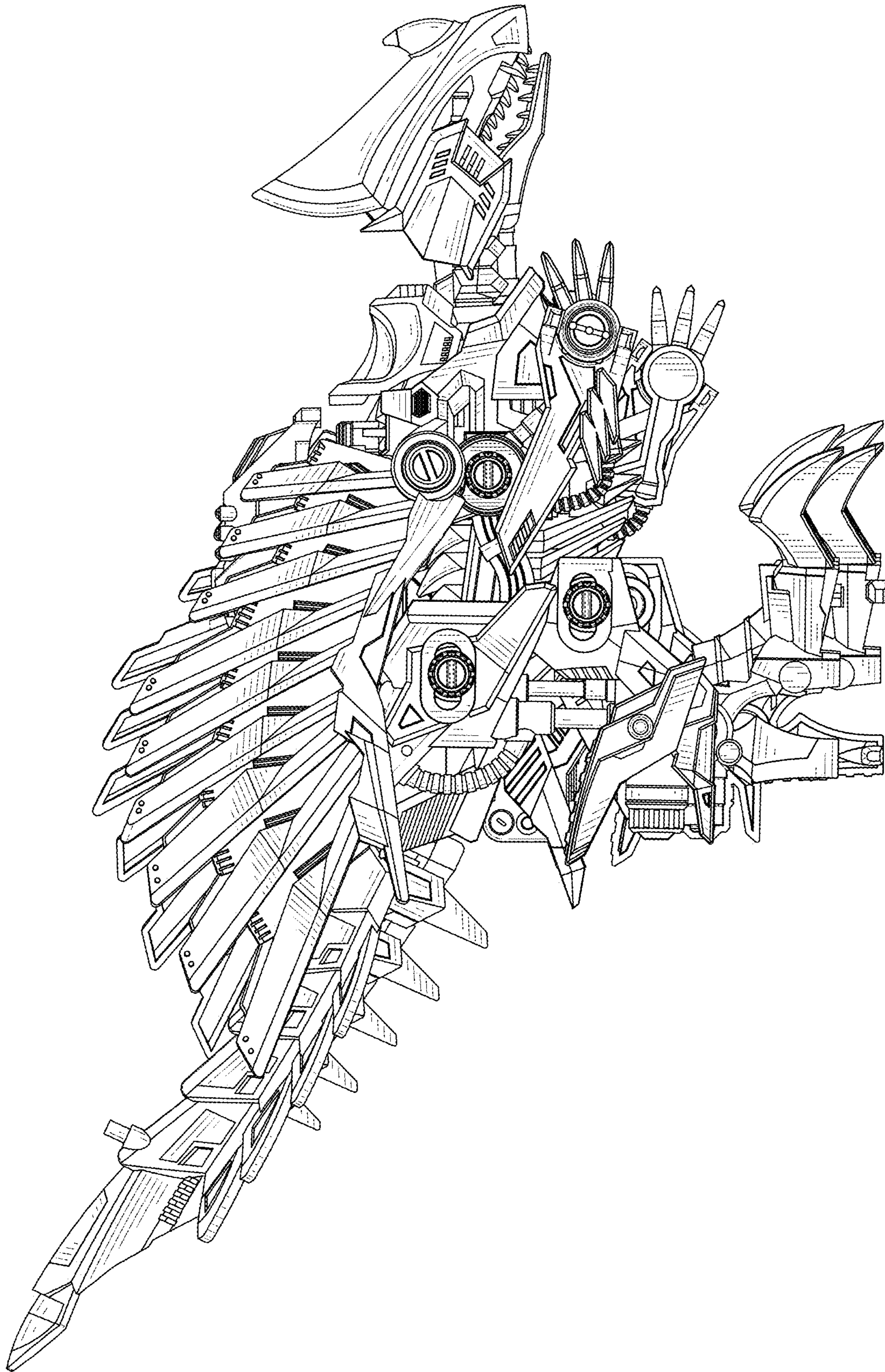


FIG. 6

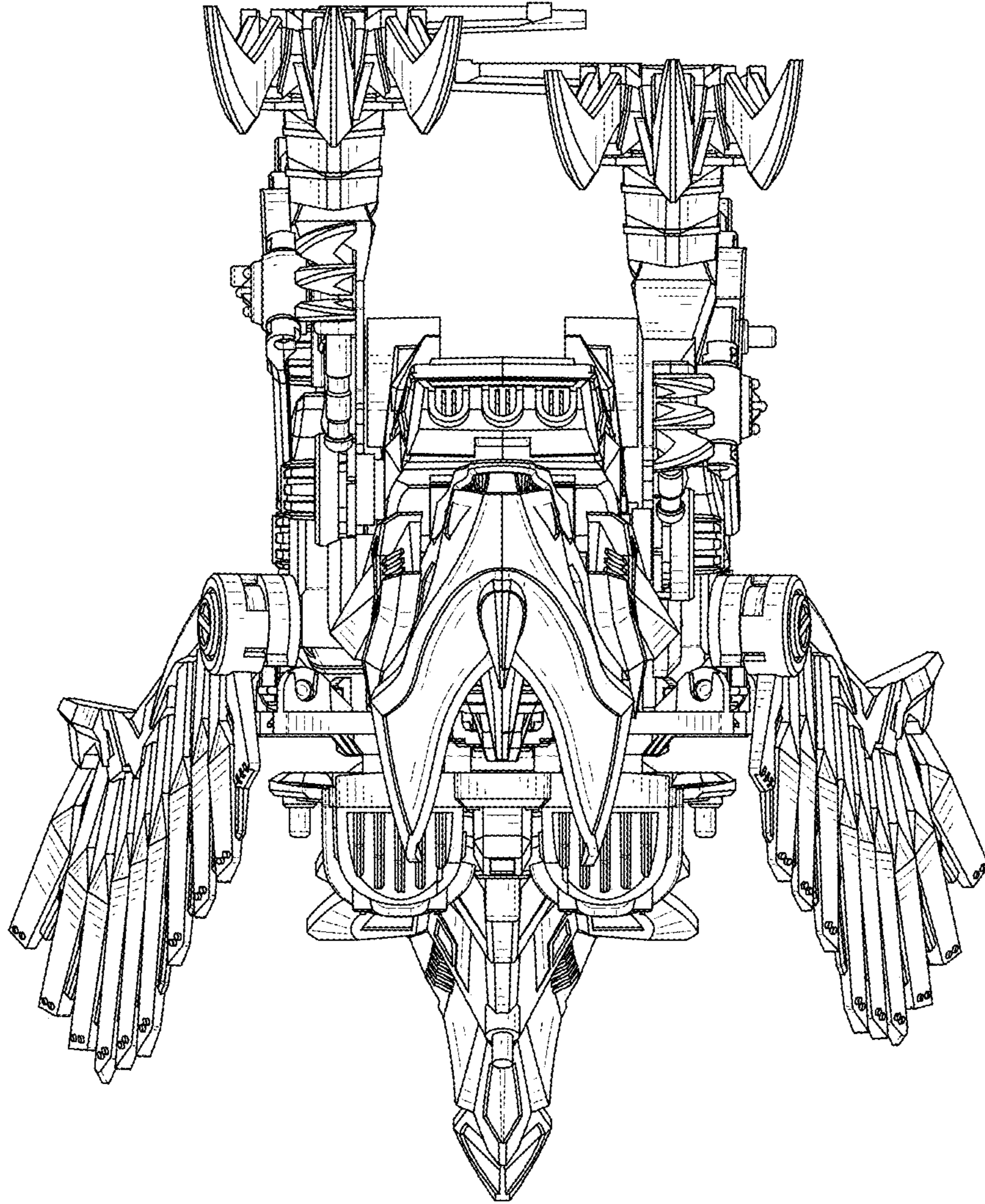


FIG. 7

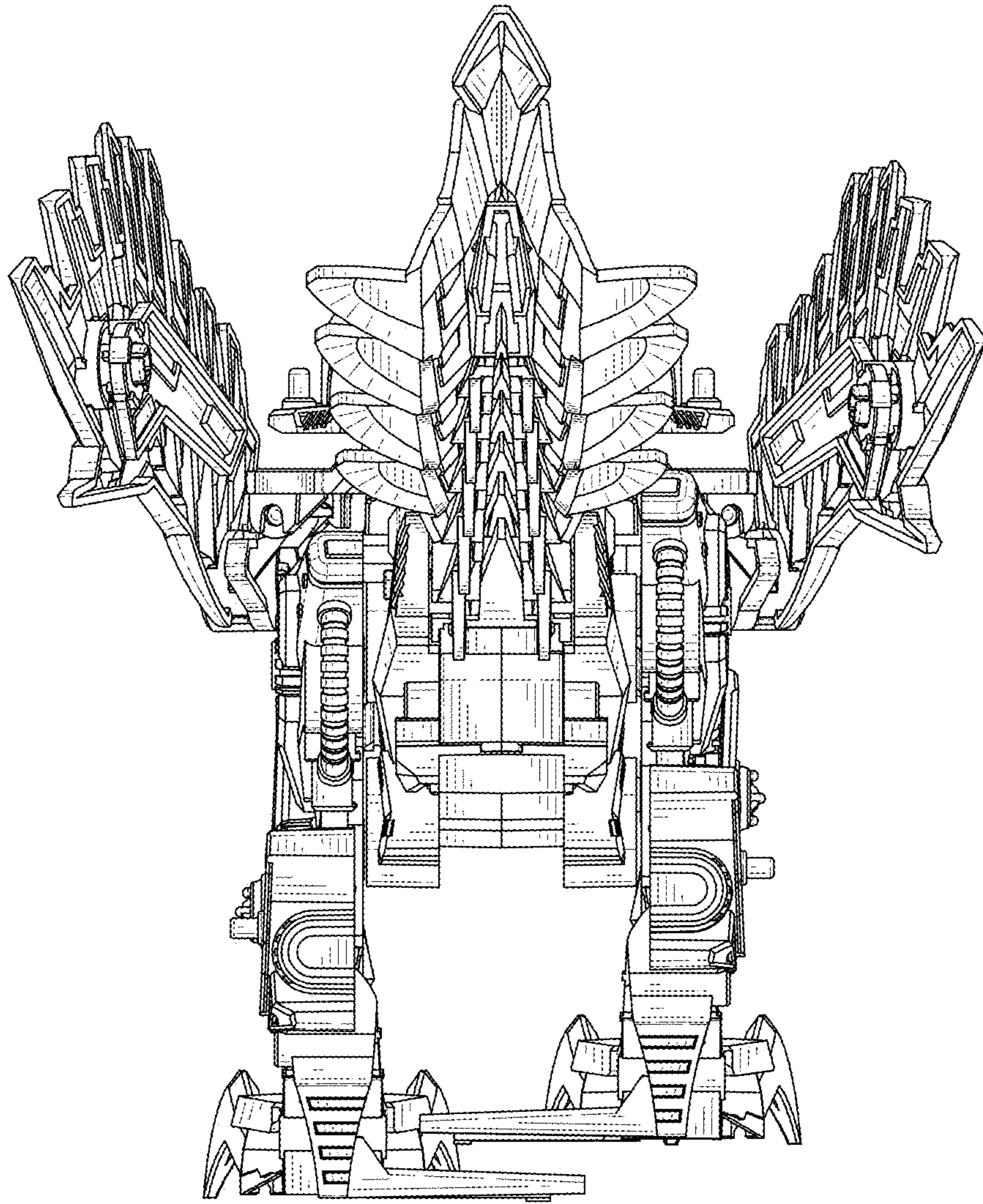


FIG. 8

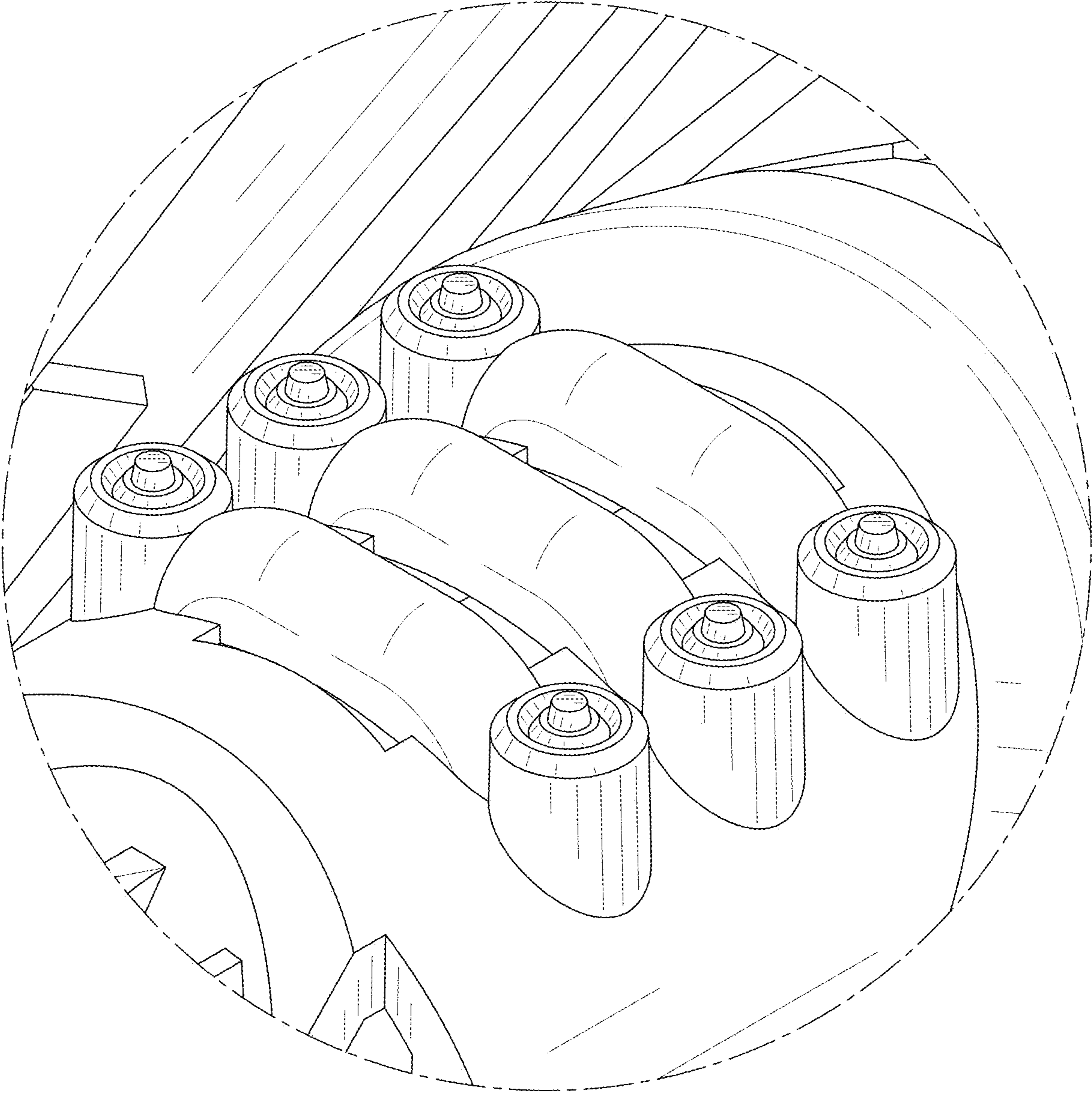


FIG. 9

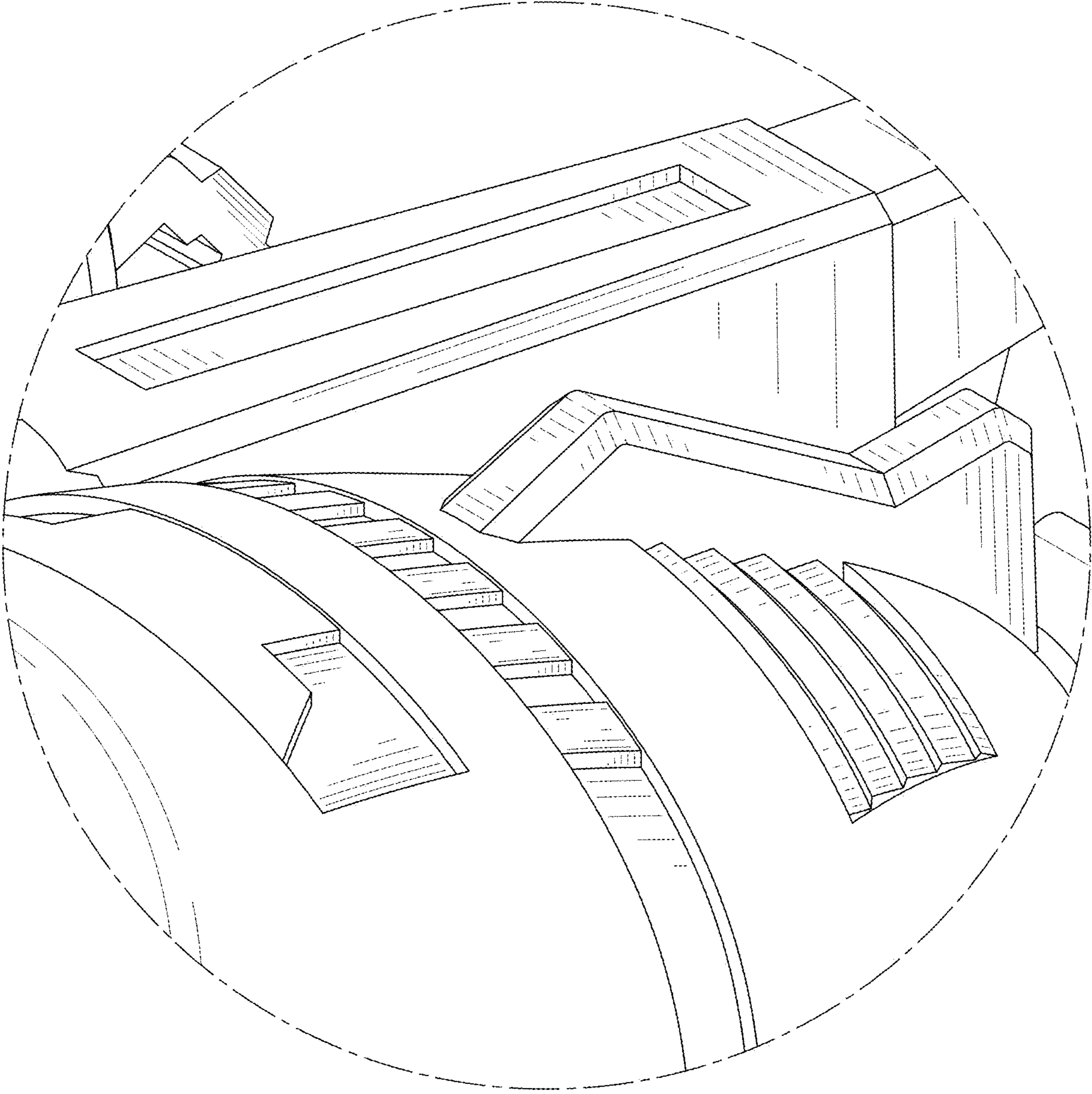


FIG. 10

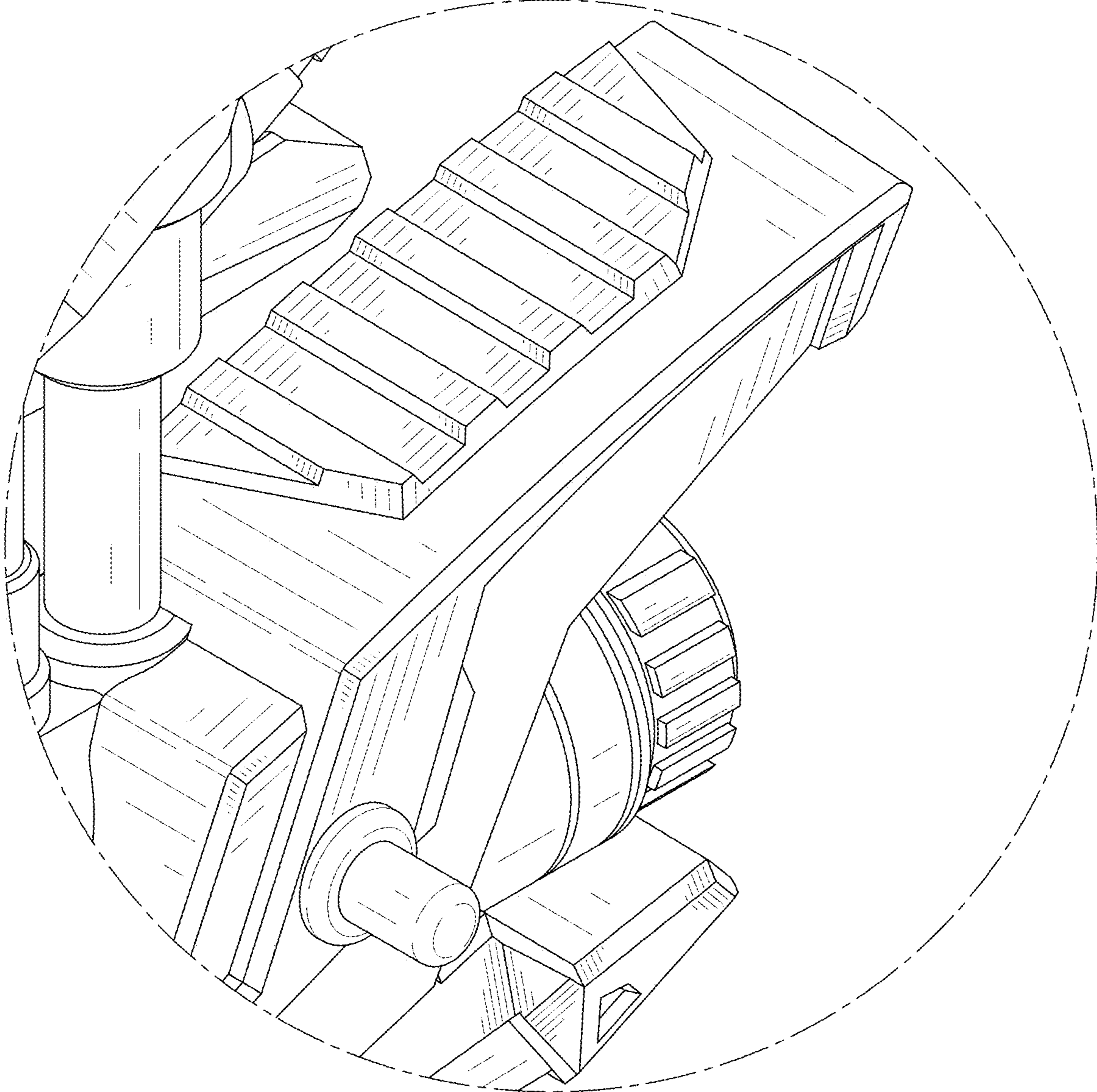


FIG. 11