



US00D961690S

(12) **United States Design Patent** (10) **Patent No.:** **US D961,690 S**
Ewing (45) **Date of Patent:** **** Aug. 23, 2022**

(54) **MODEL VEHICLE BODY WASHER**
(71) Applicant: **TRAXXAS LP**, McKinney, TX (US)
(72) Inventor: **Adam Cole Ewing**, McKinney, TX (US)
(73) Assignee: **TRAXXAS, L.P.**, McKinney, TX (US)
(**) Term: **15 Years**

D445,805 S 7/2001 Bruns
D479,793 S 9/2003 Jones
D484,037 S 12/2003 Fleetwood
D495,116 S * 8/2004 Trocme D25/113
D500,536 S 1/2005 Broberg
D515,910 S 2/2006 Gates et al.
D522,307 S * 6/2006 Mariani D7/355
D532,291 S 11/2006 Geers
D537,201 S * 2/2007 McLeish D28/8.1
(Continued)

(21) Appl. No.: **29/730,222**
(22) Filed: **Apr. 2, 2020**
(51) **LOC (13) Cl.** **21-01**
(52) **U.S. Cl.**
USPC **D21/561**
(58) **Field of Classification Search**
USPC D21/548, 561-562; D8/71, 399;
D14/483; D15/143, 147, 199;
D1/100-104, 111; D24/101
CPC A63H 17/00; A63H 17/002; A63H 17/004;
A63H 17/26; A63H 17/262; A63H
17/264; A63H 17/266; A63H 17/34;
A63H 17/36; A63H 17/38; A63H 29/00;
A63H 29/16; A63H 29/165; A63H 29/24;
F16F 9/145; F16F 9/12
See application file for complete search history.

OTHER PUBLICATIONS

LONGWIN 60mm Trapezoid Dimple Blocks, Jan. 22, 2018, amazon.com, Jun. 29, 2022, URL: <https://www.amazon.com/LONGWIN-Trapezoid-Dimple-Display-150-200mm/dp/B01ESZ1OWK/> (Year: 2018).*

(Continued)

Primary Examiner — Keith J Wilson
(74) *Attorney, Agent, or Firm* — Daryl R. Wright; Greg Carr

(57) **CLAIM**

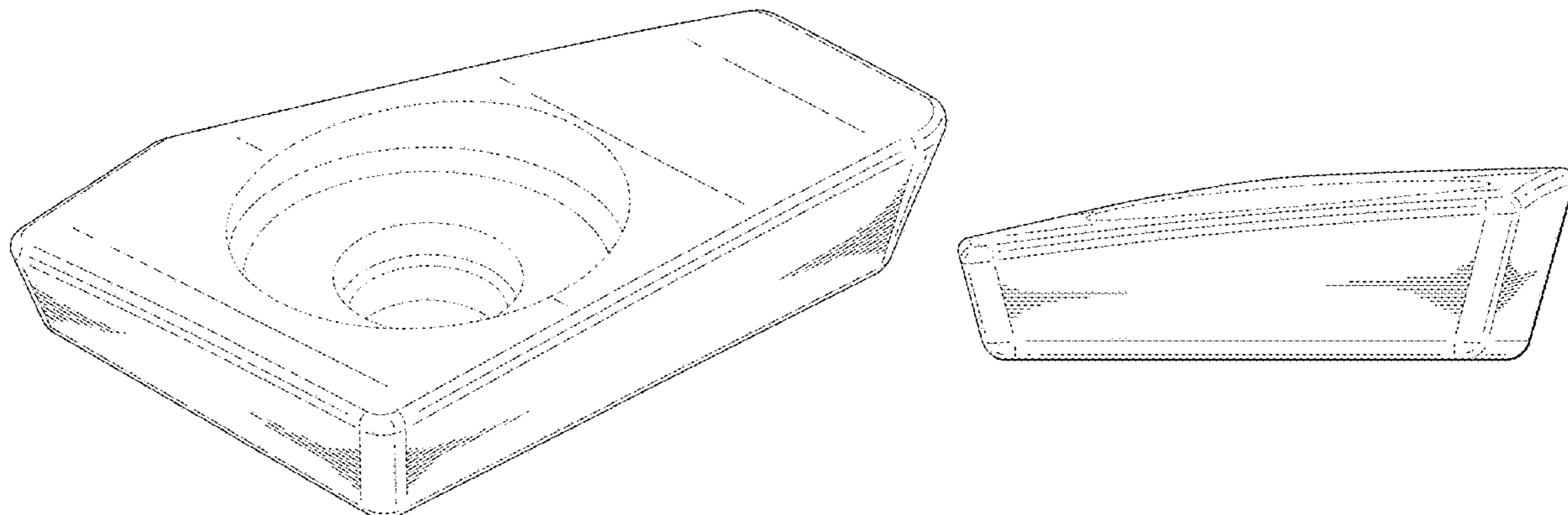
I claim the ornamental design for a model vehicle body washer, as shown and described.

DESCRIPTION

FIG. 1 is an upper, left, front perspective view of a model vehicle body washer showing my new design; FIG. 2 is a front elevation view thereof; FIG. 3 is a rear elevation view thereof; FIG. 4 is a left side elevation view thereof; FIG. 5 is a right side elevation view thereof; FIG. 6 is an upper plan view thereof; and, FIG. 7 is a lower plan view of the model vehicle body washer. The broken lines in the drawings illustrate portions of the model vehicle body washer that form no part of the claimed design.

1 Claim, 5 Drawing Sheets

(56) **References Cited**
U.S. PATENT DOCUMENTS
D264,792 S * 6/1982 Conti D7/584
4,371,293 A 2/1983 Wilcox et al.
D281,187 S * 10/1985 Wiese D21/561
D284,165 S 6/1986 Brilando et al.
D364,084 S * 11/1995 Yaich D8/356
D373,370 S 9/1996 Anthony
D390,648 S * 2/1998 Woodall, III D23/371
D399,730 S 10/1998 Pitre
D404,128 S 1/1999 Huebner
D429,254 S 8/2000 Bisschop
D439,654 S * 3/2001 Hite D24/101



(56)

References Cited

U.S. PATENT DOCUMENTS

D552,633 S * 10/2007 Volkan D15/90
 D562,187 S 2/2008 Tiede
 D571,640 S 6/2008 Misch
 D592,377 S * 5/2009 Lee D1/127
 D628,047 S 11/2010 Craig
 D641,527 S * 7/2011 Regnier D32/40
 D647,789 S 11/2011 McGowan
 D650,121 S * 12/2011 Volkan D26/125
 D654,937 S 2/2012 Fader et al.
 D674,350 S 1/2013 Hodge et al.
 8,408,419 B2 * 4/2013 Rippl A47K 10/42
 221/45
 D682,124 S 5/2013 Small
 D682,225 S * 5/2013 Bergmann D13/180
 D691,034 S 10/2013 Field et al.
 D708,043 S 7/2014 Sonnendorfer et al.
 D711,622 S * 8/2014 Kaufman D1/199
 D711,623 S * 8/2014 Kaufman D1/199
 D713,237 S 9/2014 Towner
 D713,240 S 9/2014 Chance et al.
 D741,338 S * 10/2015 Hoshikugi D14/483
 D747,277 S * 1/2016 Katsnelson D13/155
 D749,708 S 2/2016 Smith
 D760,918 S * 7/2016 Bilge D25/138
 D760,922 S * 7/2016 Bilge D25/138
 D778,702 S 2/2017 Mouthaan
 D805,223 S 12/2017 DeBellis
 D812,109 S 3/2018 Cross et al.
 D817,140 S * 5/2018 Mouthaan D8/71
 D826,340 S * 8/2018 Ewing D21/561
 D828,460 S * 9/2018 Wood D21/561
 D835,503 S 12/2018 Votel et al.
 D835,504 S 12/2018 Votel et al.
 D840,779 S 2/2019 Votel et al.
 D845,100 S * 4/2019 Gonzalez Garcia D8/71
 D857,491 S 8/2019 Bell et al.
 D867,475 S * 11/2019 Ewing A63H 17/262
 D21/561
 D868,171 S * 11/2019 Wood D21/495
 D874,684 S * 2/2020 Darrow D25/138
 D880,625 S 4/2020 Romanoff et al.
 D899,917 S * 10/2020 Sprowl D8/399
 D899,918 S * 10/2020 Sprowl D8/399
 D900,250 S * 10/2020 Ewing D21/561
 D901,288 S * 11/2020 Sprowl D8/399
 D901,289 S * 11/2020 Sprowl D8/399
 D902,706 S * 11/2020 Sprowl D8/399

D904,532 S * 12/2020 Ewing D21/561
 D945,597 S * 3/2022 Morris D24/101
 D945,736 S * 3/2022 Weatherby D1/101
 2011/0129318 A1 6/2011 Davies
 2012/0199530 A1 8/2012 Kim
 2013/0046389 A1 2/2013 Fierlbeck et al.
 2017/0321434 A1 * 11/2017 Shadwell E04F 15/02183

OTHER PUBLICATIONS

Black Rubber Feet 16PCS Self Adhesive Rubber Feet Bumper, Apr. 23, 2020, amazon.com, Jun. 29, 2022, URL: <https://www.amazon.com/Adhesive-Electronics-Speakers-Computers-Keyboard/dp/B085DMB1XV/>(Year: 2020).*

Blocks, Trapezoid Set of 2, Jul. 1, 2015, amazon.jp, Jun. 29, 2022, URL: <https://www.amazon.co.jp/-/en/Blocks-Trapezoid-Set-of-2/dp/B010P8LSU2> (Year: 2015).*

Yoga Foam Wedge Blocks, Apr. 10, 2018, amazon.com, Jun. 30, 2022, URL: <https://www.amazon.com/dp/B07C3GMFN5/> (Year: 2018).*

Grote 93402 Black Grommet for Small Rectangular Light (PVC), Jul. 7, 2004, Amazon.com, Jun. 16, 2021, URL: <https://www.amazon.com/Grote-93402-Black-Grommet-Rectangular/dp/B000FBUL62> (Year: 2004).

Single Gang Bundled Cable Wall Plate, White, Nov. 7, 2016, Amazon.com, Jun. 16, 2021, URL: <https://www.amazon.com/Skywalker-Signature-Single-Bundled-Cable/dp/B01N3KSI27> (Year: 2016).

ZdyCGTime Bulk Nose Faceplate Wall Plate for Cabling 1 Gang Cable Plate, Sep. 27, 2018, Amazon.com, Jun. 16, 2021, URL: <https://www.amazon.com/dp/B07HRC2422/> (Year: 2018).

Dorman HELP! 42062 PCV Valve Grommet, Jul. 7, 2004, Amazon.com, Jun. 16, 2021, URL: <https://www.amazon.com/Dorman-HELP-42062-Valve-Grommet/dp/B000COB5Y4> (Year: 2004).

RPM Body Savers for Traxxas Rustler 4x4, Tin-Eye Date Aug. 15, 2019 [Online], [Site Visited Nov. 3, 2020] Available From Internet, URL: <https://www.modelsport.co.uk/rpm-body-savers-for-traxxas-rustler-4x4/rc-car-products/442109> (Year: 2019).

Product Spotlight: Body Reinforcements, Earliest Available Date Nov. 3, 2020 [Online], [Site Visited Nov. 3, 2020] Available From Internet, URL: <https://traxxas.com/news/body-reinforcements> (Year: 2020).

Black Rubber Feel 16PCS Self Adhesive Rubber Feet Bumper, Apr. 23, 2020, amazon.com, Jun. 29, 2022, URL: <https://www.amazon.com/Adhesive-Electronics-Speakers-Computers-Keyboard/dp/B085DMB1XV/> (Year: 2020).

* cited by examiner

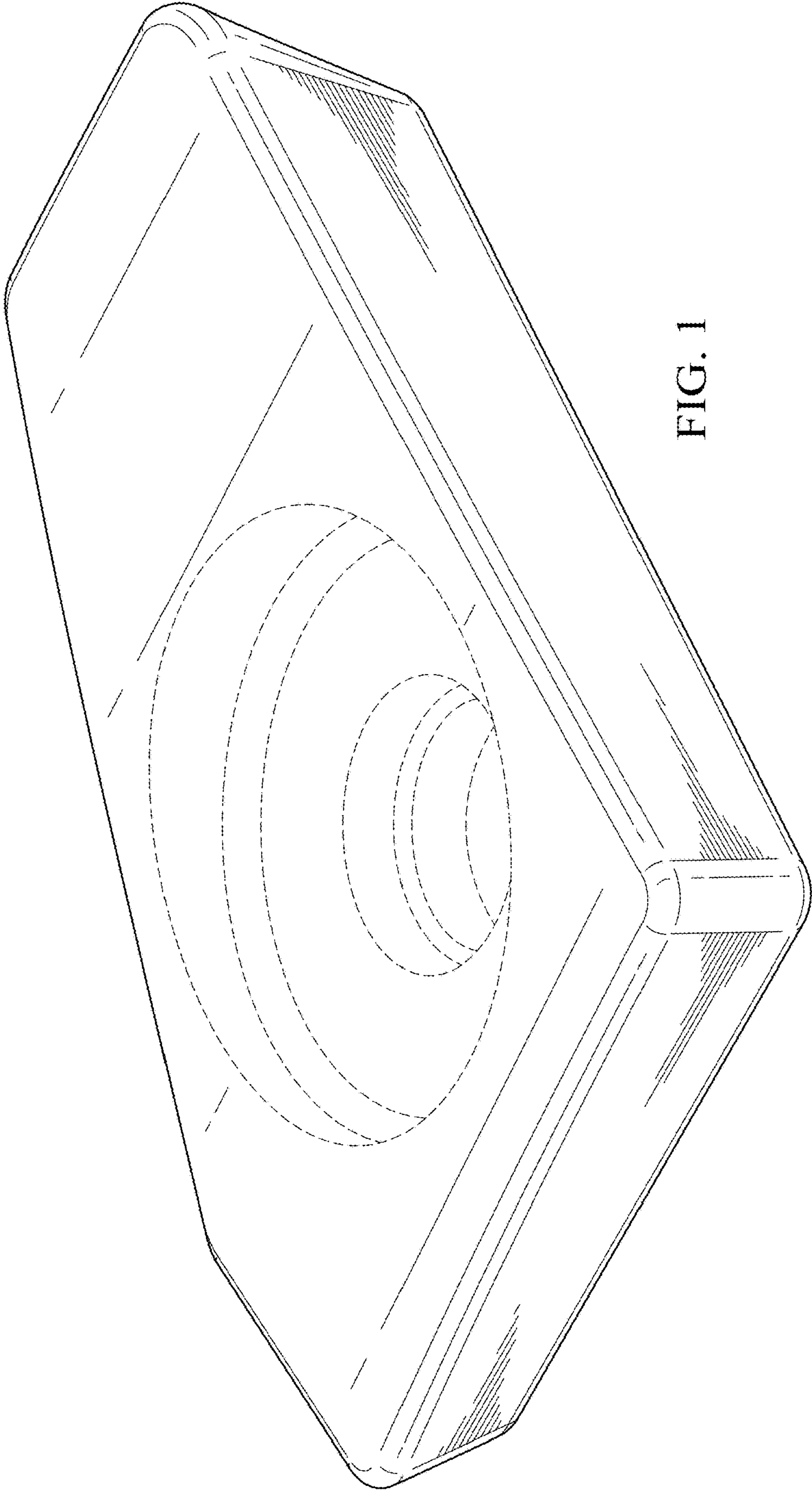


FIG. 1

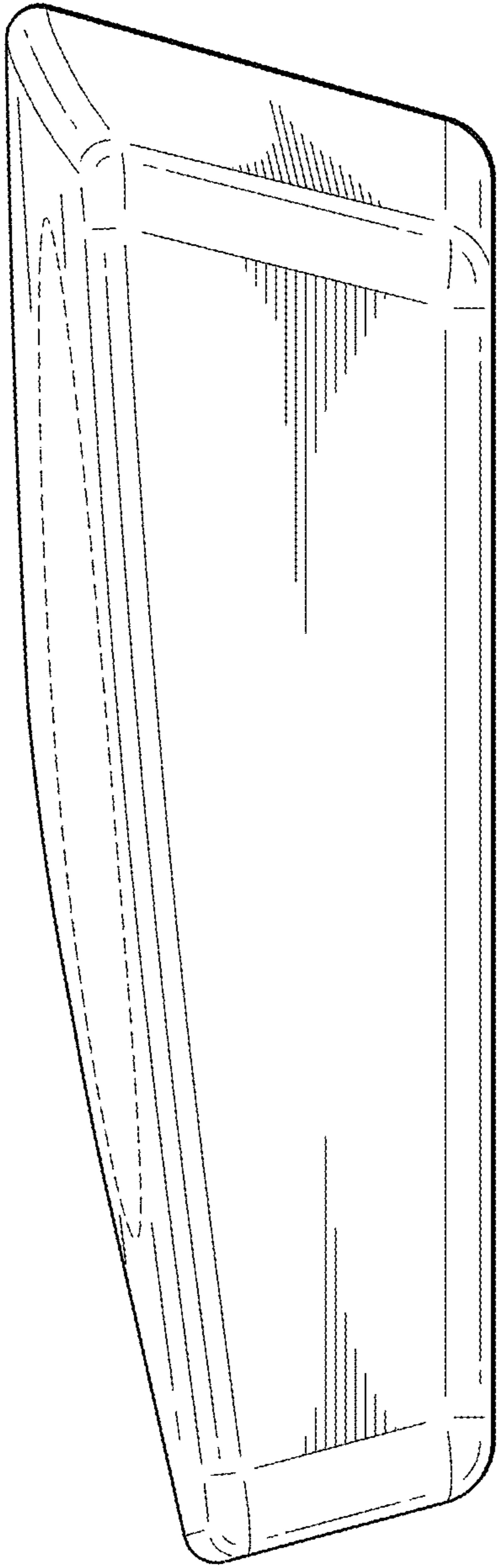


FIG. 2

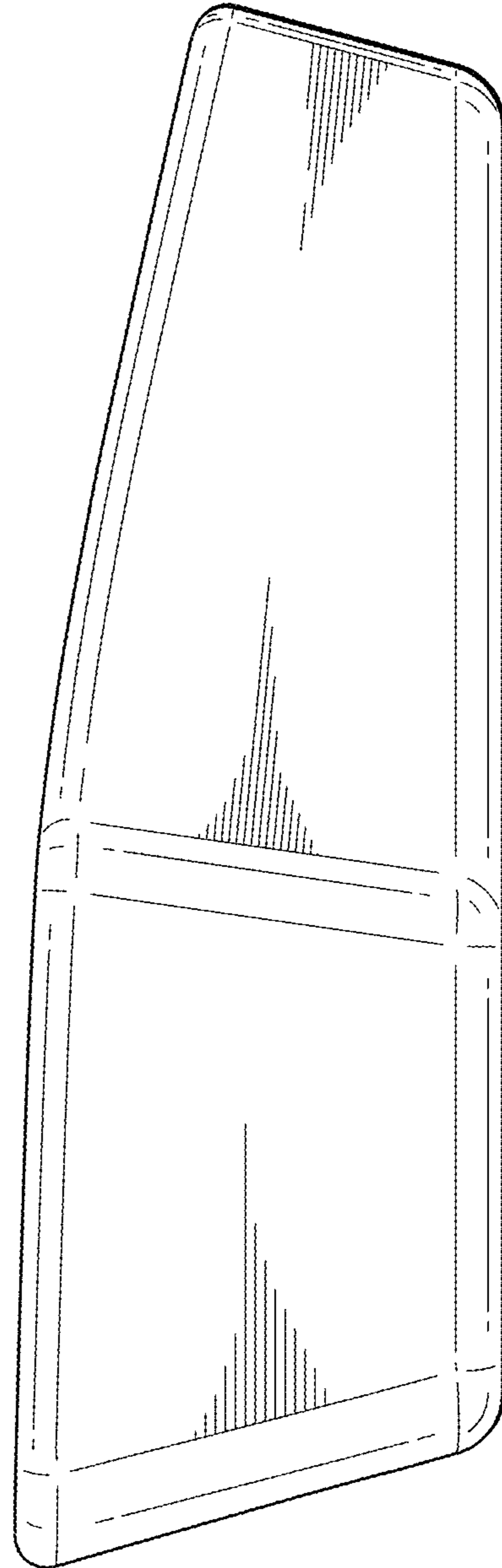


FIG. 3

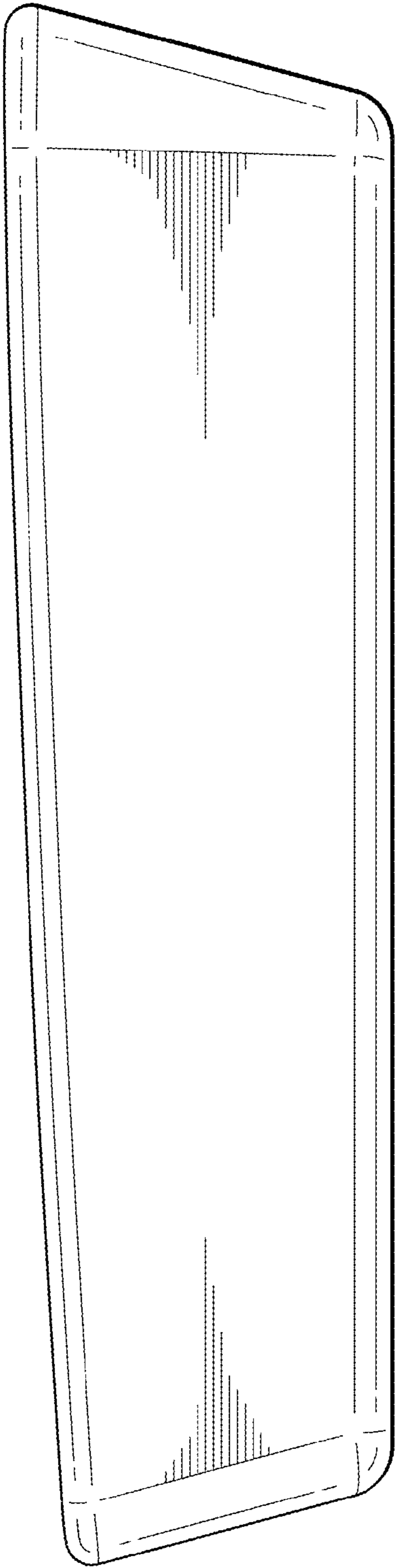


FIG. 4

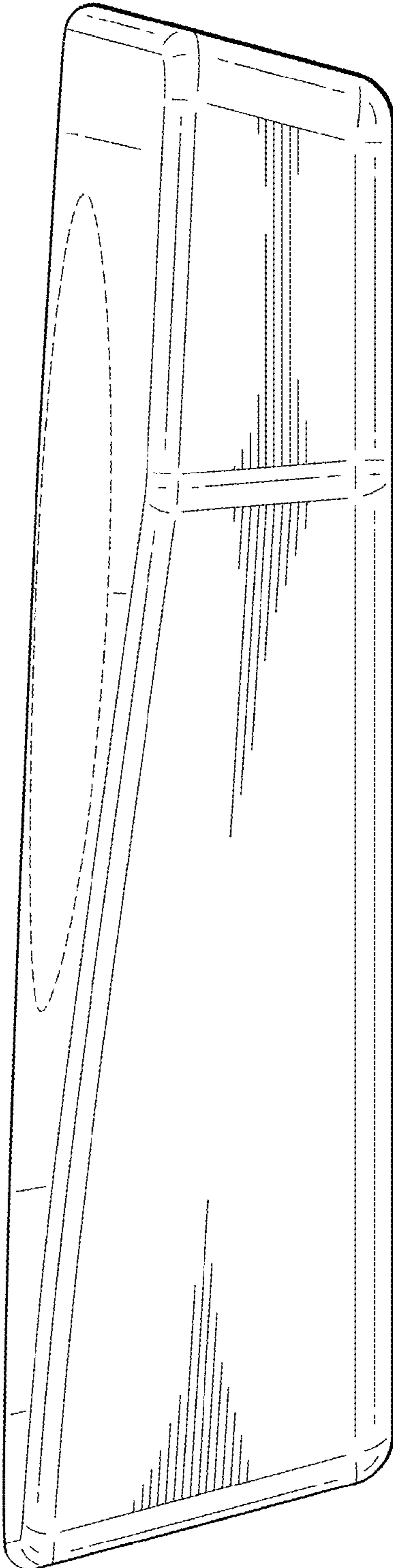


FIG. 5

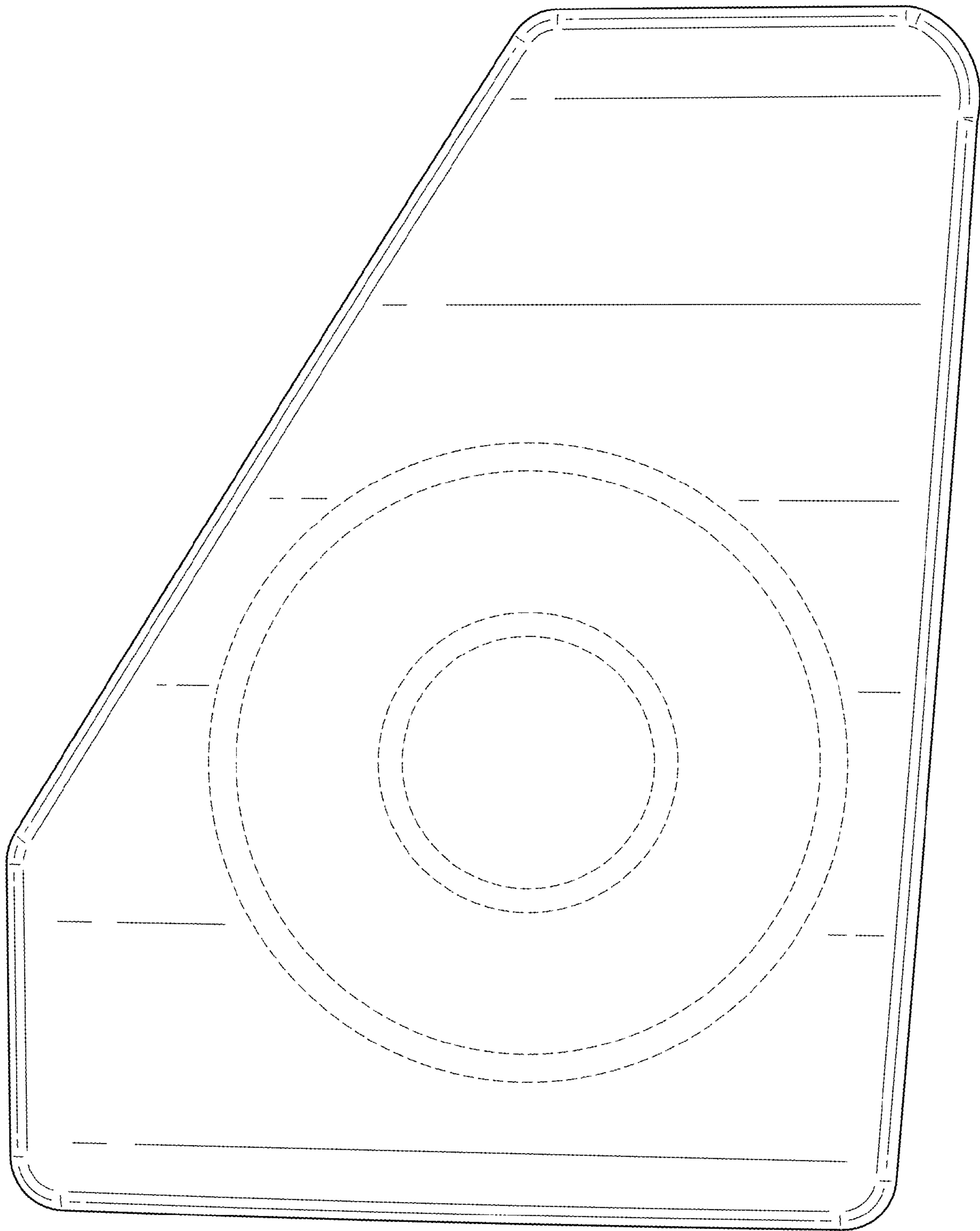


FIG. 6

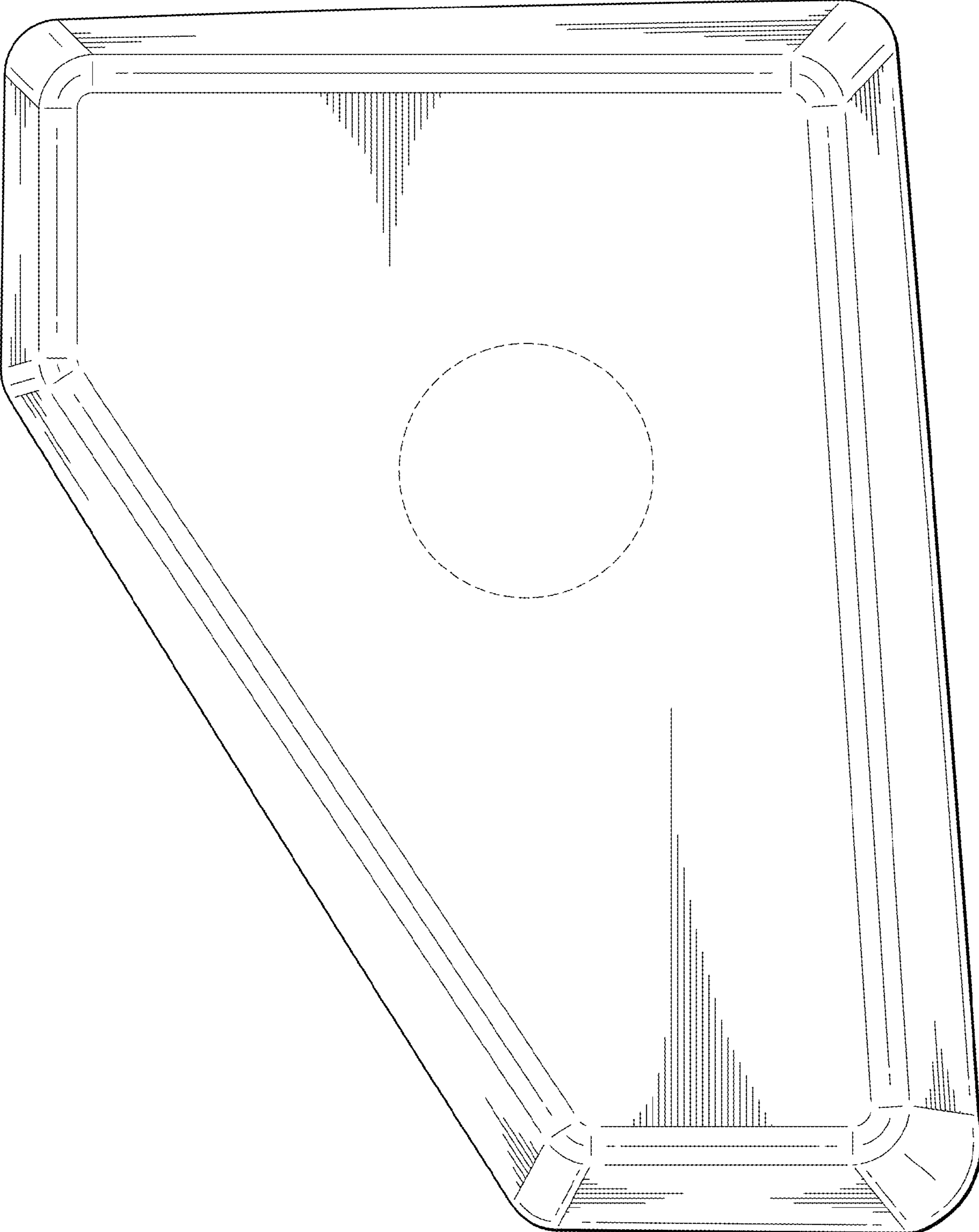


FIG. 7