



US00D961688S

(12) **United States Design Patent** (10) **Patent No.:** **US D961,688 S**
Du (45) **Date of Patent:** **** Aug. 23, 2022**

(54) **KIDS BUBBLE CAMERA**
(71) Applicant: **Guijuan Du**, Nanchong (CN)
(72) Inventor: **Guijuan Du**, Nanchong (CN)
(**) Term: **15 Years**
(21) Appl. No.: **29/796,836**
(22) Filed: **Jun. 28, 2021**

(51) **LOC (13) Cl.** **21-01**
(52) **U.S. Cl.**
USPC **D21/514**; D16/217
(58) **Field of Classification Search**
USPC D21/513, 514, 401, 402; D16/217, 200,
D16/202, 204, 207, 208, 210, 218
CPC A45F 2200/0533; G03B 17/02; H04N
2101/00; A63H 33/28; A63H 33/00
See application file for complete search history.

(56) **References Cited**

U.S. PATENT DOCUMENTS

D317,615 S *	6/1991	Kikuchi	D16/202
D332,810 S *	1/1993	Fujieda	D21/514
D367,283 S *	2/1996	Lyon	D16/208
D376,379 S *	12/1996	Eto	D16/218
5,643,035 A *	7/1997	Freese	A63H 33/28 446/15
D400,225 S *	10/1998	Reibl	D16/218
D410,937 S *	6/1999	Nihei	D16/209
D413,345 S *	8/1999	Fok	D16/210
D426,251 S *	6/2000	Wood	D16/218
D436,977 S *	1/2001	Senda	D16/209
D487,485 S *	3/2004	Niu	D21/514
D597,578 S	8/2009	Kim et al.		
D597,579 S *	8/2009	Obata	D16/218
D616,008 S *	5/2010	Enervold	D16/218
D690,755 S *	10/2013	Nikaido	D16/217
D707,746 S *	6/2014	Sakai	D16/218
D715,826 S	10/2014	Sakuma		
D748,712 S *	2/2016	Tompkin	D16/218
D806,771 S *	1/2018	Nikaido	D16/202
D820,335 S	6/2018	Favè et al.		

D849,087 S * 5/2019 Li D16/202
D873,883 S * 1/2020 Lin D16/202
D892,191 S 8/2020 Ji

(Continued)

FOREIGN PATENT DOCUMENTS

CN 305357257 * 9/2019
CN 305821459 * 6/2020

(Continued)

OTHER PUBLICATIONS

Review Children Bubble Camera, available on Youtube.com, date posted Oct. 30, 2019, [site visited Mar. 21, 2022], URL: <https://www.youtube.com/watch?v=KAe-cvQ-FV8> (Year: 2019).*

(Continued)

Primary Examiner — Dana K Weiland
Assistant Examiner — Emily Anna Saunders
(74) *Attorney, Agent, or Firm* — Rumit Ranjit Kanakia

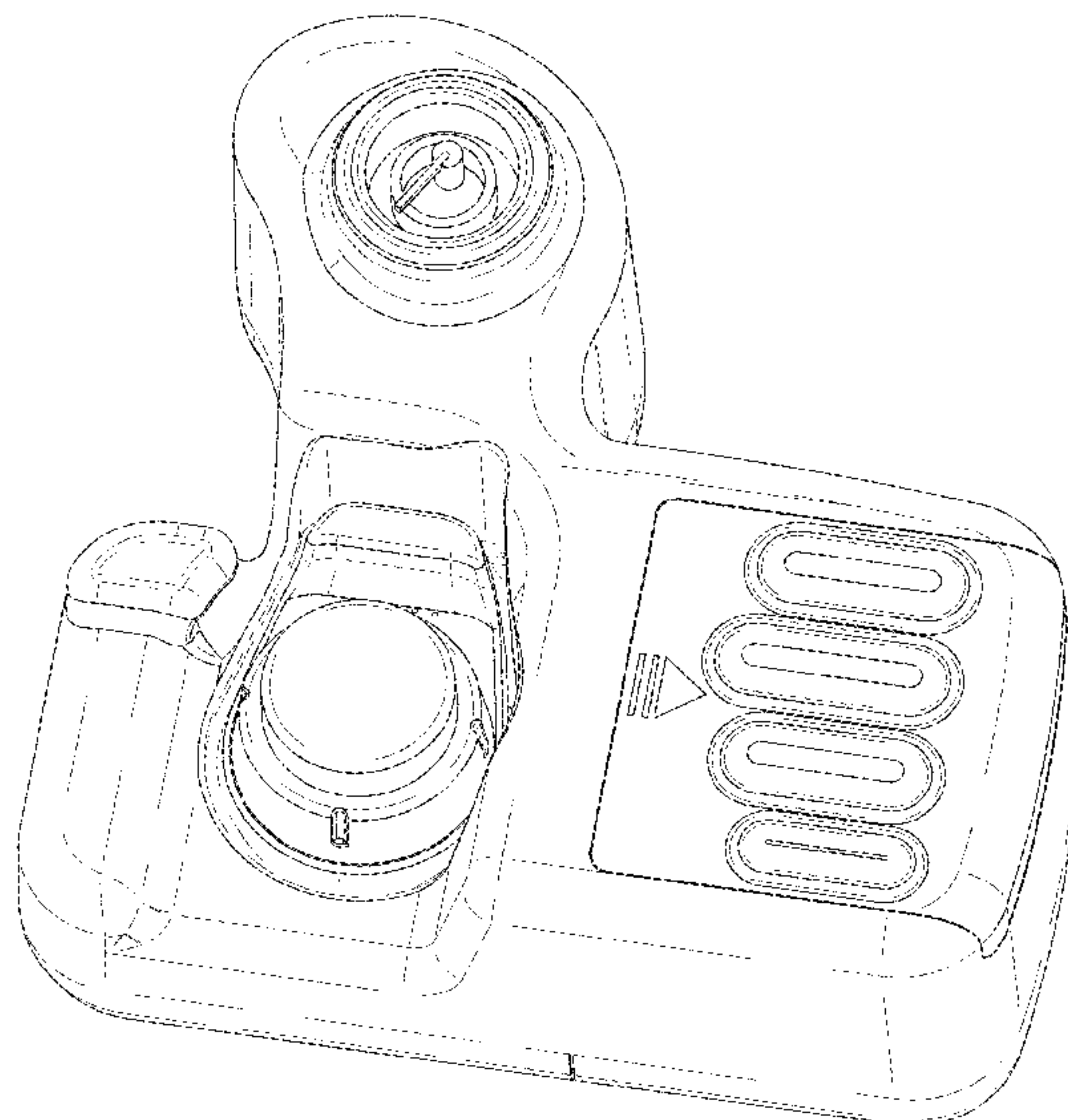
(57) **CLAIM**

The ornamental design for a kids bubble camera, as shown and described.

DESCRIPTION

FIG. 1 is a perspective view of a kids bubble camera showing my new design;
FIG. 2 is a top view thereof;
FIG. 3 is a bottom view thereof;
FIG. 4 is a left-side view thereof;
FIG. 5 is a right-side view thereof;
FIG. 6 is a back view thereof;
FIG. 7 is a front view thereof; and,
FIG. 8 is another perspective view thereof.
Broken lines in the drawings depict portions of the kids bubble camera that form no part of the claim.

1 Claim, 8 Drawing Sheets



(56)

References Cited

U.S. PATENT DOCUMENTS

D910,105 S	2/2021	Lin	
2011/0115879 A1*	5/2011	Homma H04N 5/2259 348/E7.091
2013/0002944 A1*	1/2013	Imafuji G03B 15/05 348/372
2022/0118378 A1*	4/2022	Du G03B 17/48

FOREIGN PATENT DOCUMENTS

CN	305974246	*	8/2020
CN	306027703	*	9/2020
CN	306403350	*	3/2021
CN	306542835	*	5/2021
CN	306705343	*	7/2021
GB	6145452	*	6/2021

OTHER PUBLICATIONS

Magic Bubble Camera, available on Youtube.com, date posted Nov. 19, 2019, [site visited Mar. 21, 2022], URL: https://www.youtube.com/watch?v=3K1_eplgZN8 (Year: 2019).*

Fubbles Bubble Camera, available on Amazon.com, date first available Feb. 1, 2020, [site visited Mar. 21, 2022], URL: <https://www.amazon.com/Fubbles-realistic-shutter-premium-solution/dp/B084ZXK7BV?th=1> (Year: 2020).*

VTech KidiZoom Camera, available on Amazon.com, date first available Jan. 27, 2021, [site visited Mar. 21, 2022], URL: <https://www.amazon.com/VTech-80-549100-KidiZoom-PrintCam/dp/B08V8RVDQD/>(Year: 2021).*

Bubble camera duck toy review, available on Youtube.com, date posted Jul. 30, 2021, [site visited Mar. 21, 2022], URL: <https://www.youtube.com/watch?v=B9sbomVGIf0> (Year: 2021).*

* cited by examiner

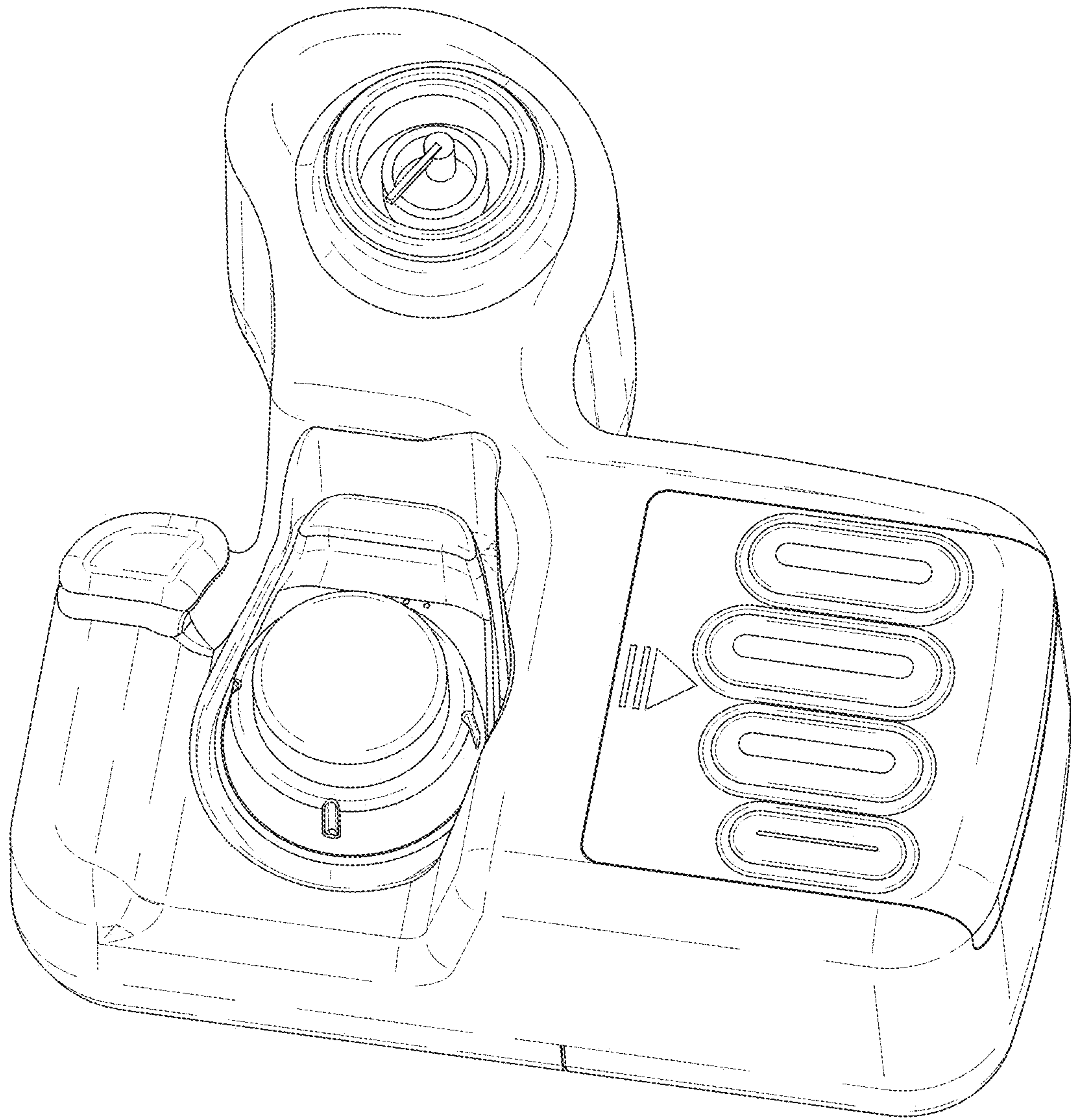


FIG. 1

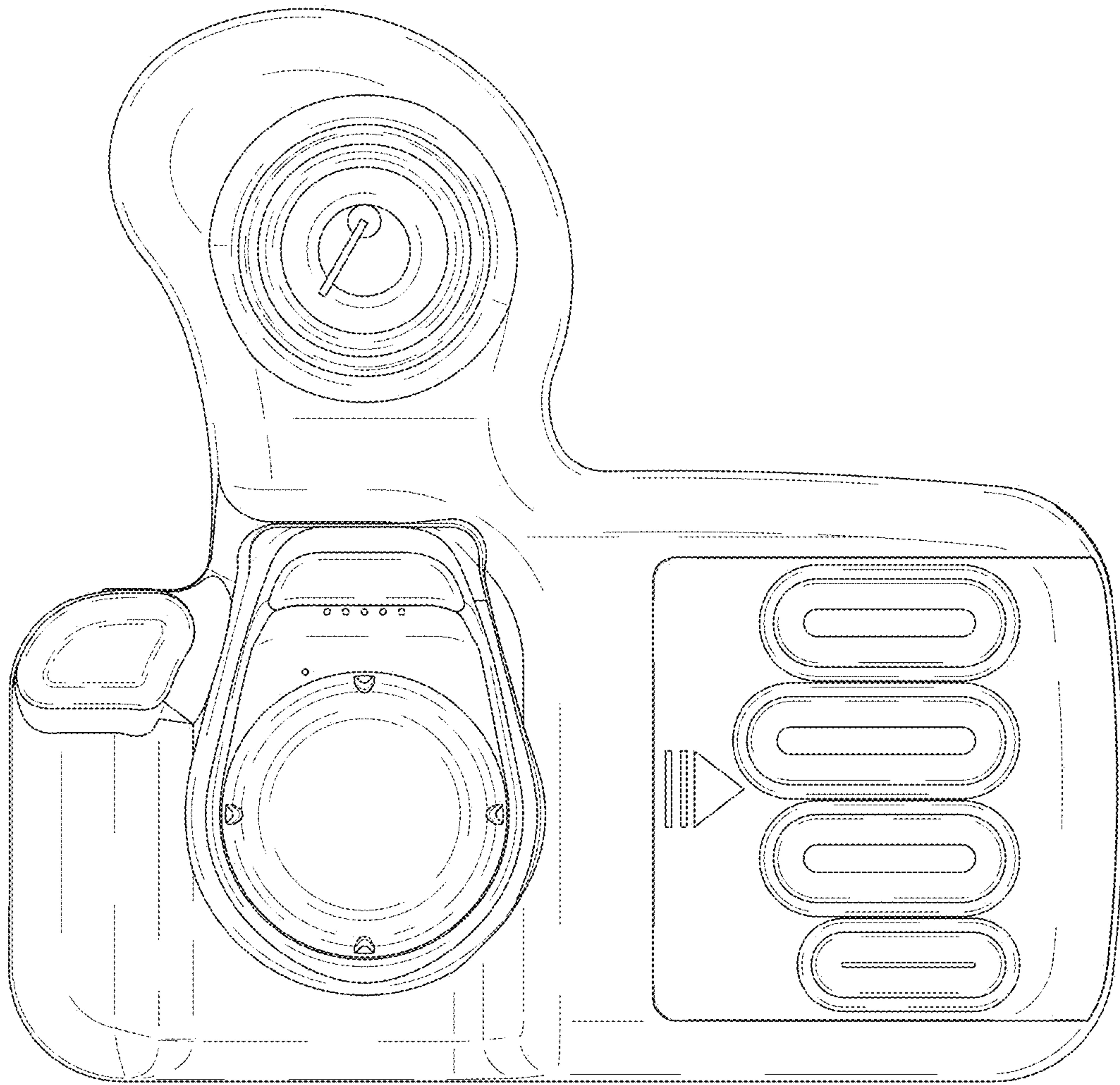


FIG. 2

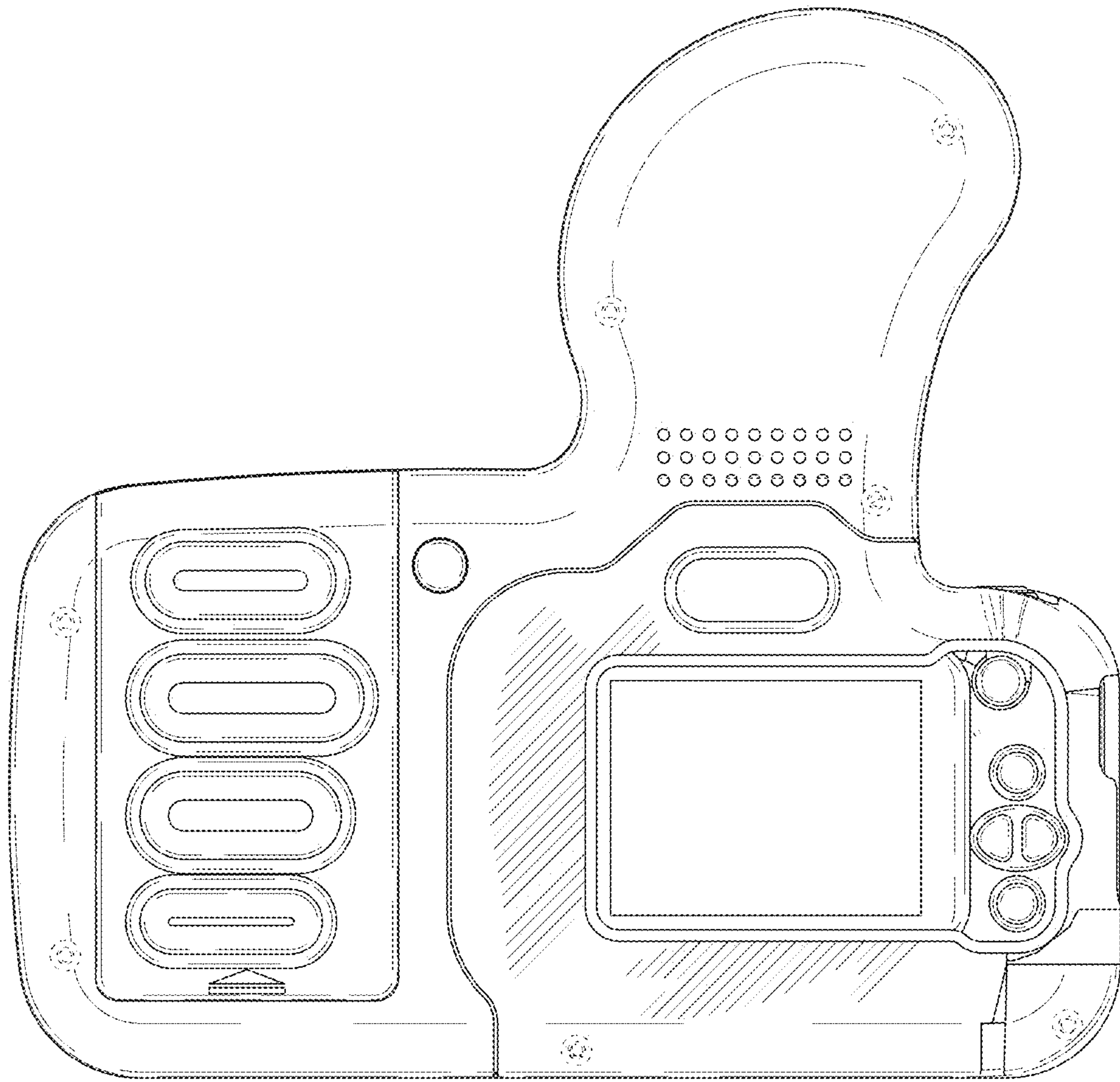


FIG. 3

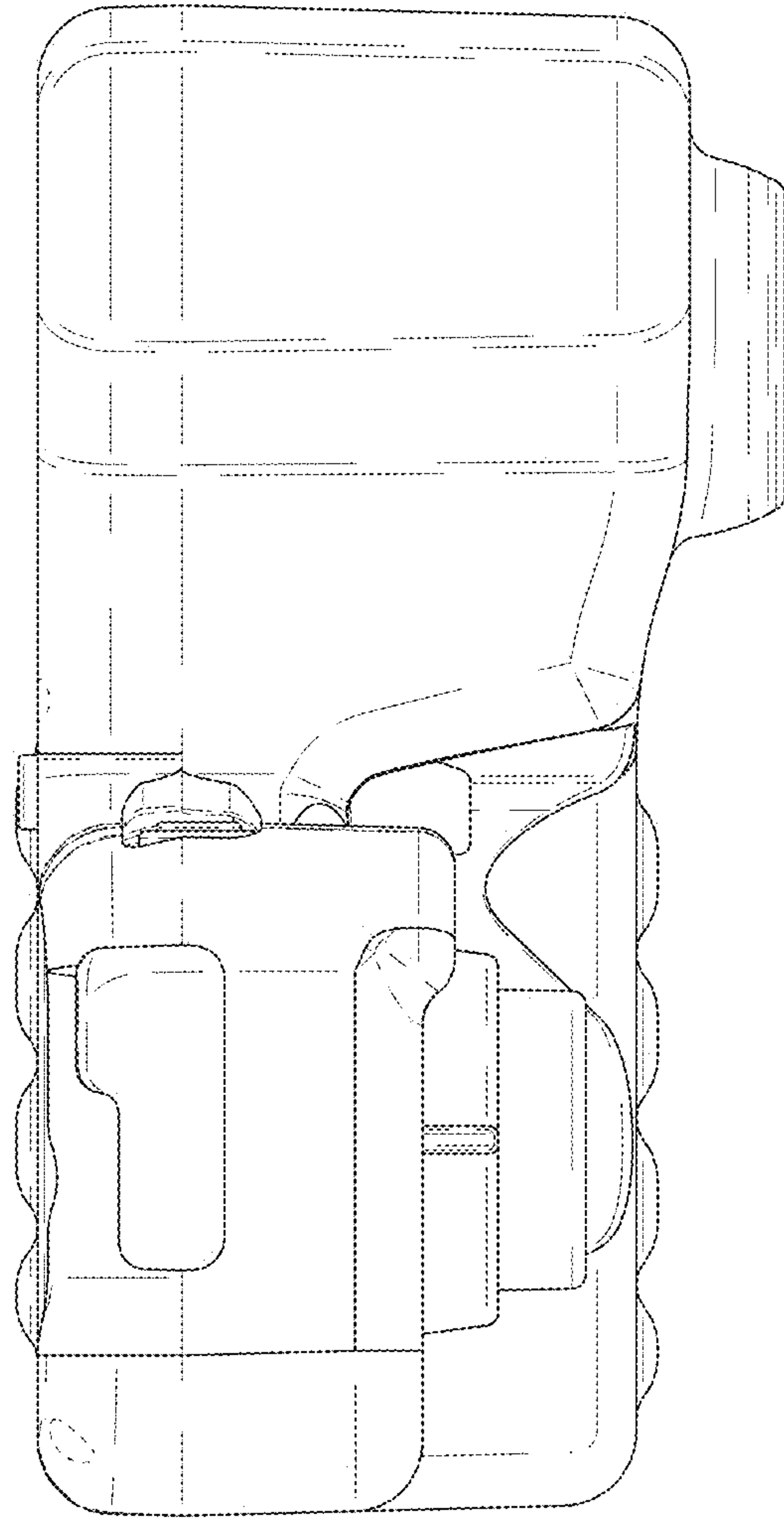


FIG. 4

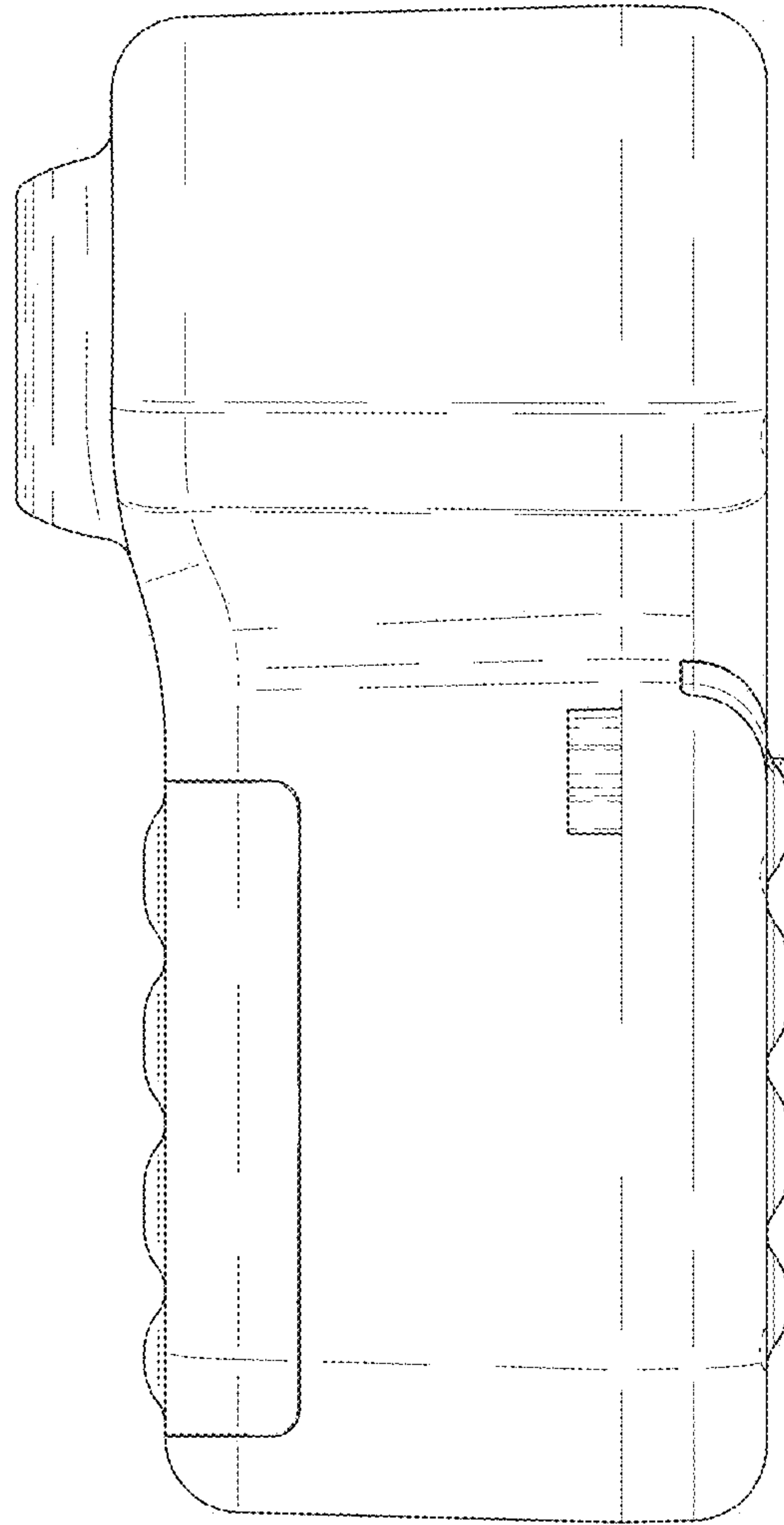


FIG. 5

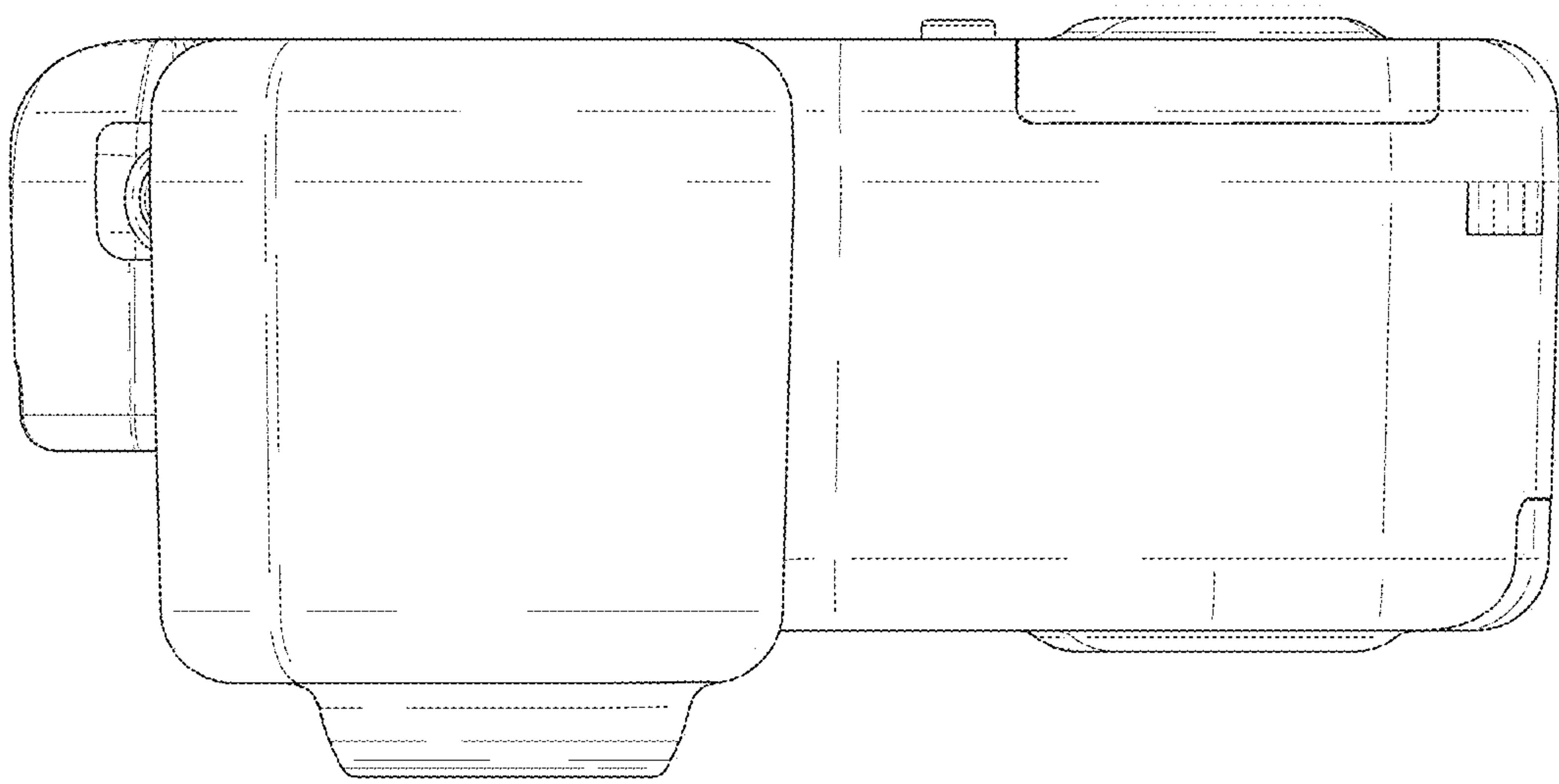


FIG. 6

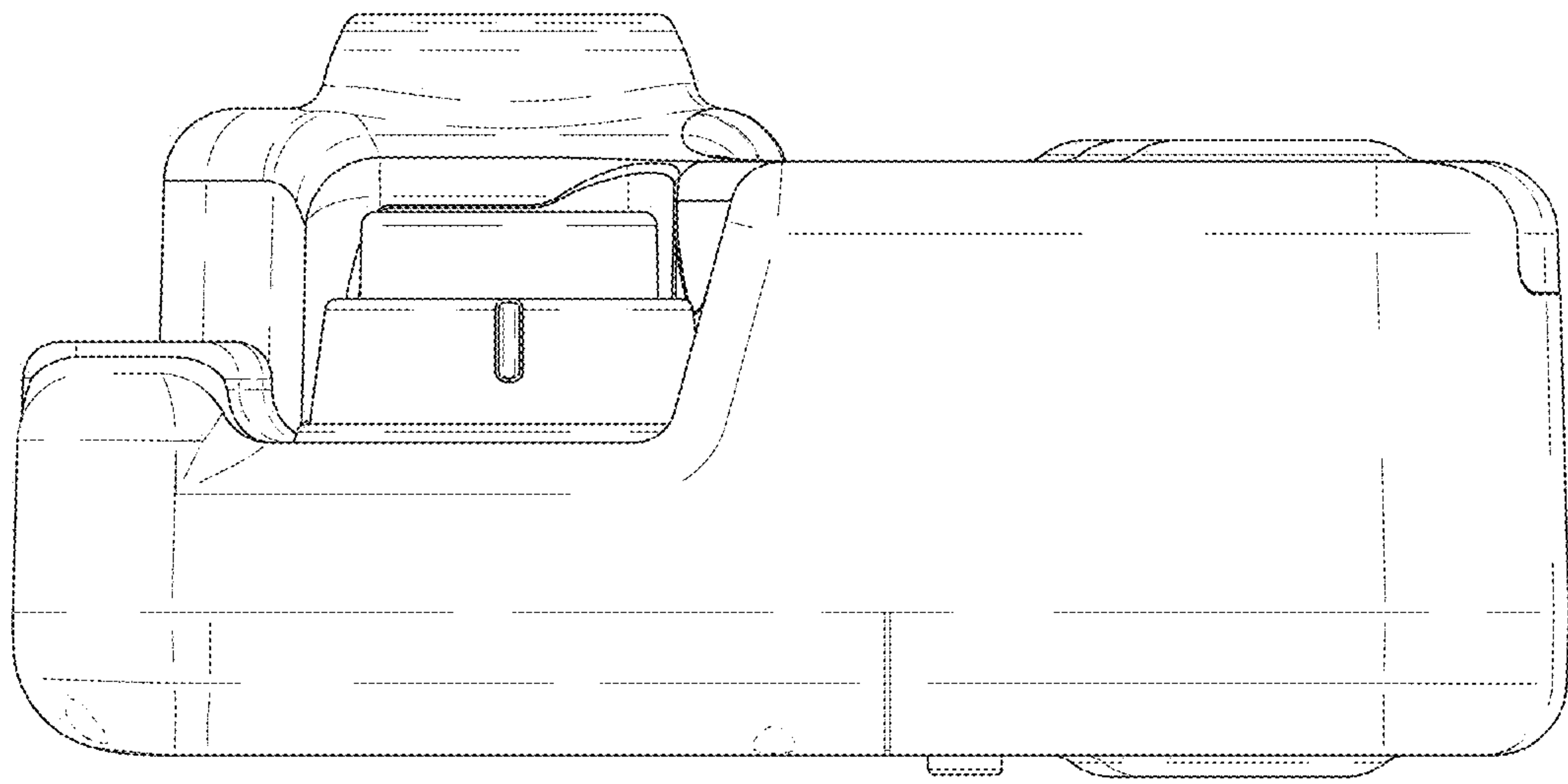


FIG. 7

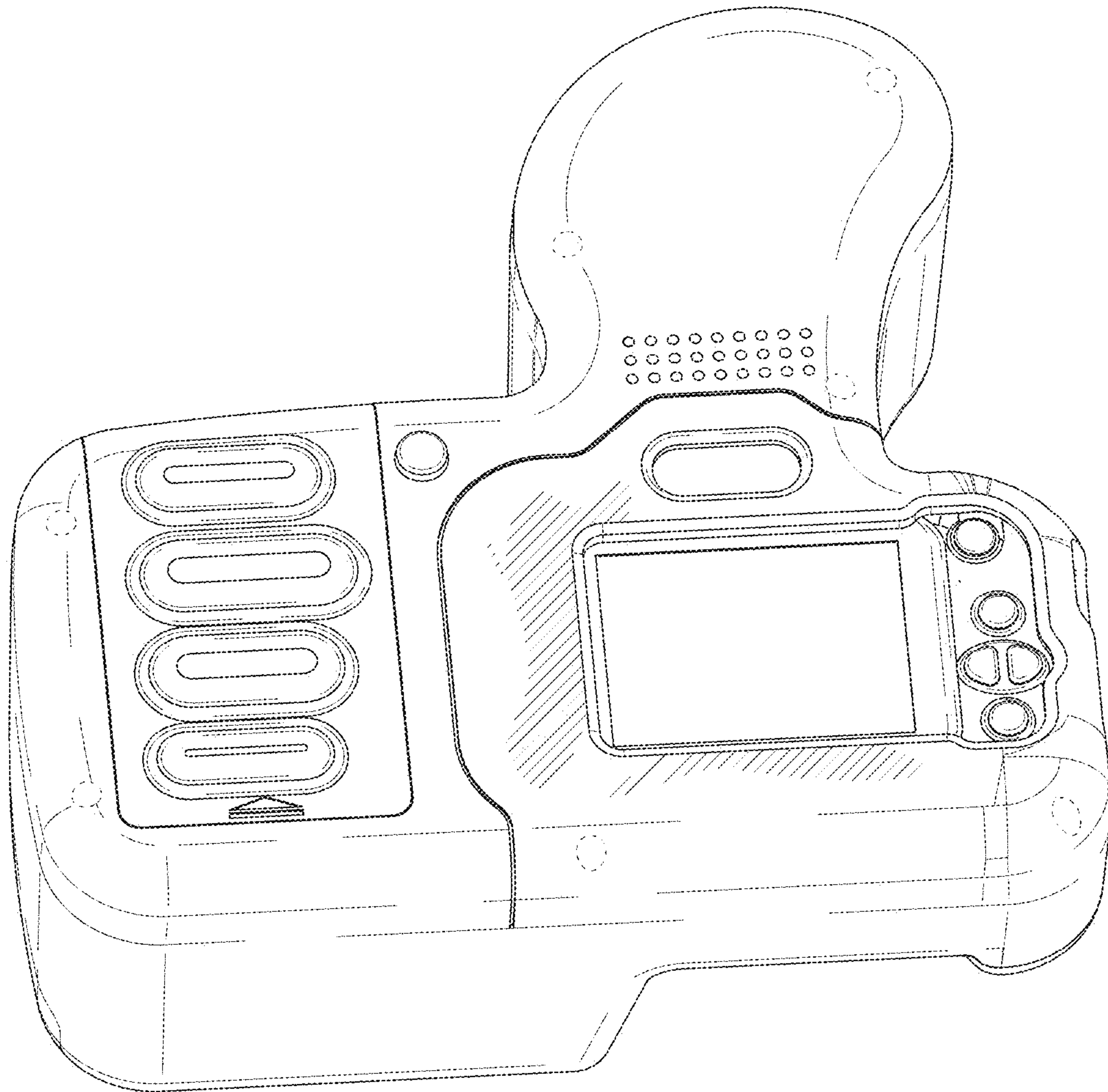


FIG. 8