



US00D961686S

(12) **United States Design Patent** (10) **Patent No.:** **US D961,686 S**
Tang (45) **Date of Patent:** **** Aug. 23, 2022**

(54) **FIDGET SPINNER**

(71) Applicant: **Jianxiong Tang**, Putian (CN)

(72) Inventor: **Jianxiong Tang**, Putian (CN)

(**) Term: **15 Years**

(21) Appl. No.: **29/817,544**

(22) Filed: **Dec. 2, 2021**

(51) **LOC (13) Cl.** **21-01**

(52) **U.S. Cl.**
USPC **D21/468**; D21/460

(58) **Field of Classification Search**
USPC D21/398, 436, 437, 441, 443, 444, 455,
D21/456, 458, 459-464, 468; D12/123,
D12/160, 223, 400; 446/46-48, 236-266
CPC A63F 7/382; A63F 2250/491; A63F 9/26;
A63H 13/20; A63H 1/001; A63H 1/002;
A63H 1/003; A63H 1/004; A63H 1/005;
A63H 1/006; A63H 1/007; A63H 1/008;
A63H 1/009; A63H 1/32

See application file for complete search history.

(56) **References Cited**

U.S. PATENT DOCUMENTS

4,772,030	A	*	9/1988	Hunt	A63B 65/08
						473/590
5,030,157	A	*	7/1991	Silverglate	A63H 33/18
						446/36
D344,487	S	*	2/1994	Iwamoto	D12/345
D480,766	S	*	10/2003	Moon	D21/443
D494,640	S	*	8/2004	Tilbor	D21/441
D639,869	S	*	6/2011	Nishimoto	D21/460
D660,918	S	*	5/2012	Ujita	D21/460
D809,614	S	*	2/2018	Chiu	D21/684
D818,052	S		5/2018	Liu		
D818,053	S		5/2018	Liu		
D820,918	S		6/2018	Zhong		
D830,471	S		10/2018	Guo		
D834,653	S		11/2018	Shi		
D837,305	S	*	1/2019	Shindo	D21/460
D840,817	S	*	2/2019	Zheng	D9/452

D842,935	S	*	3/2019	Horikoshi	D21/460
D846,669	S	*	4/2019	Adkins	D21/698
D851,177	S		6/2019	Bo		
D851,707	S		6/2019	Ren		
D852,283	S	*	6/2019	Matejczyk	D21/468
D856,590	S	*	8/2019	Kaplan	D28/87
D857,106	S	*	8/2019	Narita	D21/460
D861,078	S		9/2019	Lin		
D872,807	S		1/2020	Lowsky		
D881,998	S		4/2020	Lam		
D910,768	S	*	2/2021	Matsukawa	D21/455
D912,160	S	*	3/2021	Muraki	D21/455

(Continued)

OTHER PUBLICATIONS

“Sensory fingertip Spinning Toy” posted Jan. 4, 2022[Online],[retrieved Jun. 28, 2022]. Retrieved from Internet: https://www.amazon.com/Interesting-fingertip-deformable-Mechanical-Decompression/product-reviews/B09M3CZMBS/ref=cm_cr_getr_d_paging_btm_next_3?ie=UTF8&reviewerType=all_reviews&pageNumber=3.*

Primary Examiner — Mehri F Bajoul
(74) *Attorney, Agent, or Firm* — Rumit Ranjit Kanakia

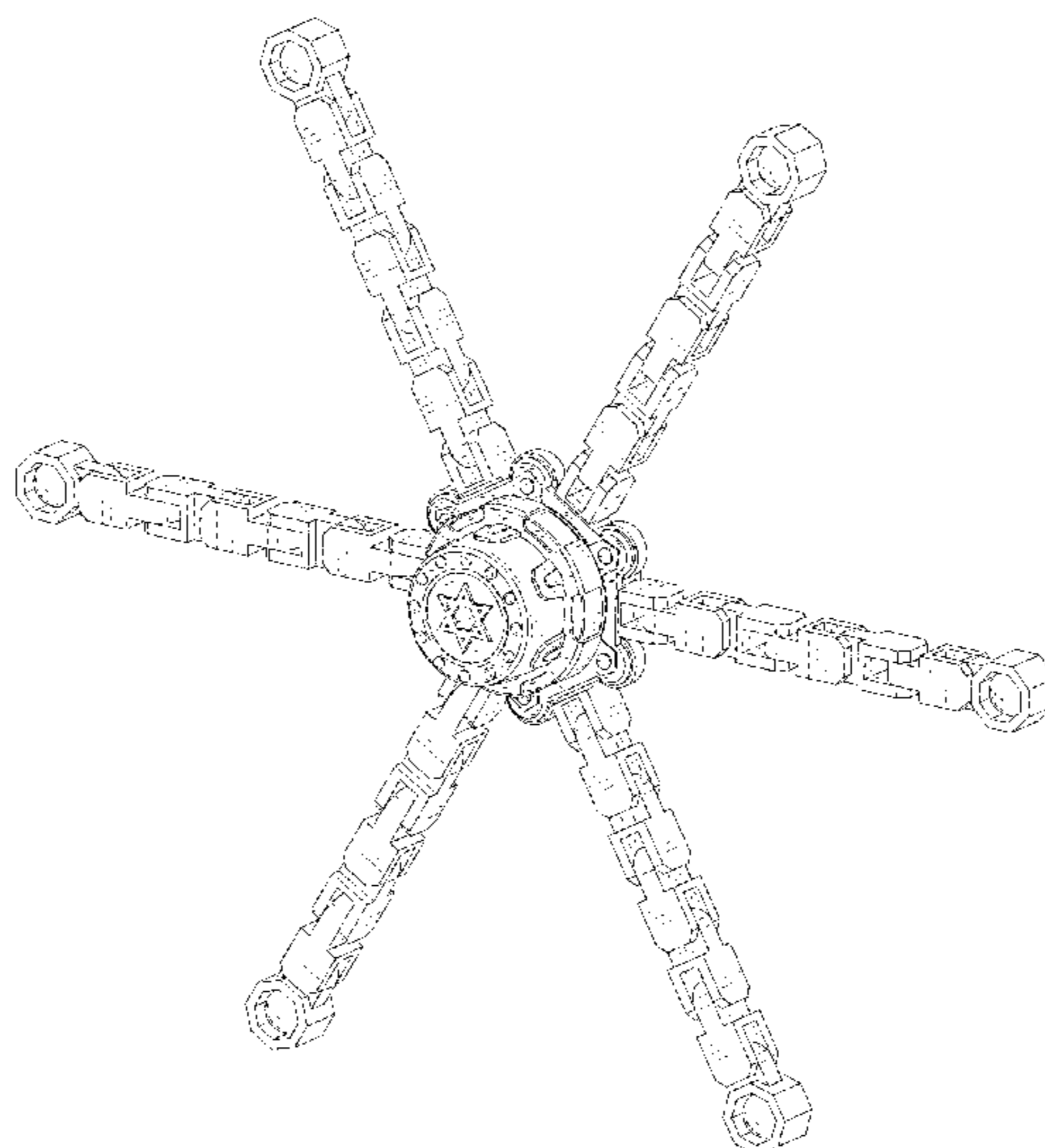
(57) **CLAIM**

The ornamental design for a fidget spinner, as shown and described.

DESCRIPTION

FIG. 1 is a perspective view of a fidget spinner showing my new design;
FIG. 2 is another perspective view thereof;
FIG. 3 is a front elevational view thereof;
FIG. 4 is a rear elevational view thereof;
FIG. 5 is a left elevational view thereof;
FIG. 6 is a right side view thereof;
FIG. 7 is a top side view thereof;
FIG. 8 is a bottom plan view thereof; and,
FIG. 9 is a perspective view of the fidget spinner in a deformable state.

1 Claim, 7 Drawing Sheets



(56)

References Cited

U.S. PATENT DOCUMENTS

D912,162 S * 3/2021 Muraki D21/455
D914,809 S * 3/2021 Hama D21/455

* cited by examiner

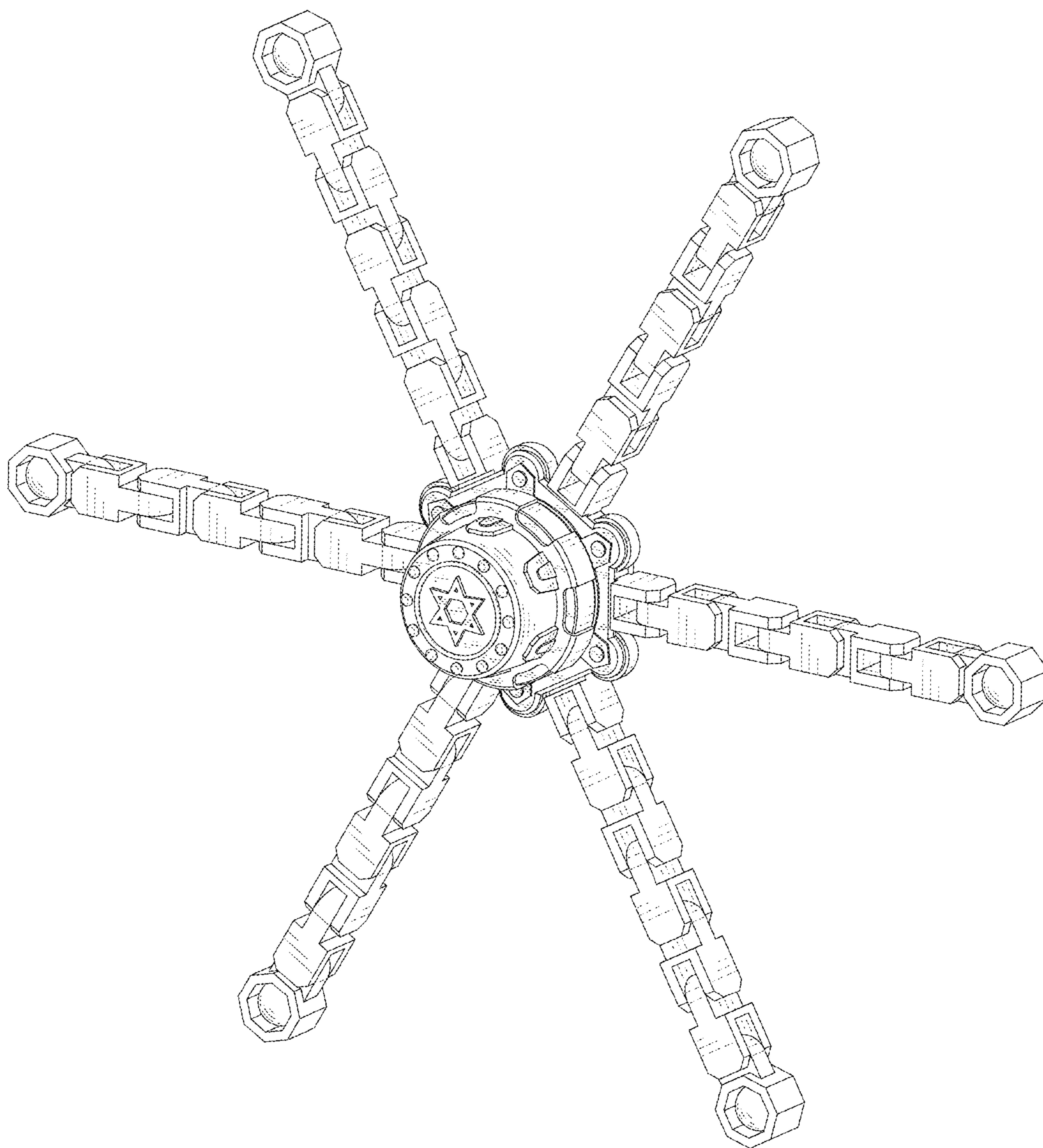


FIG. 1

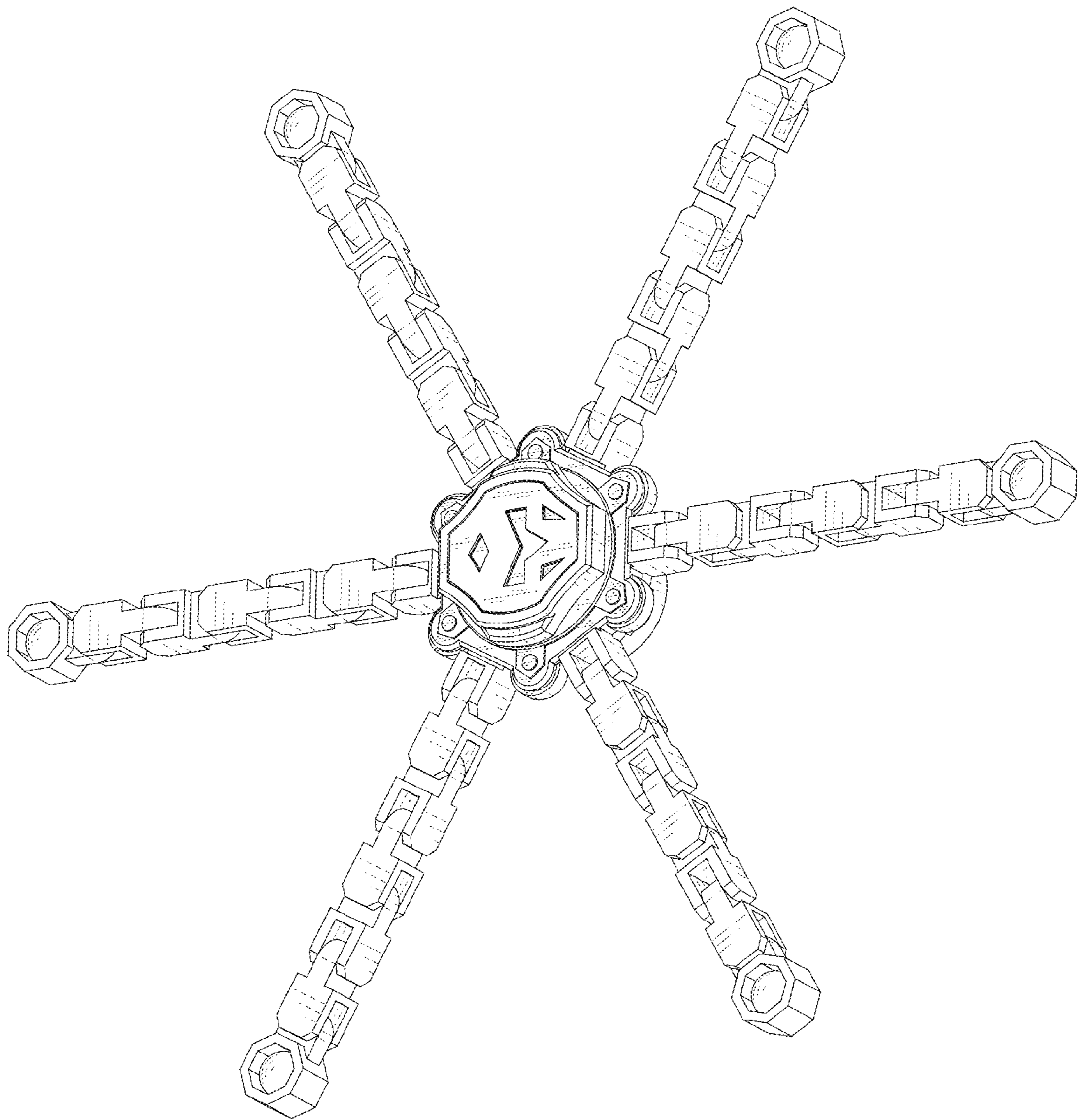


FIG. 2

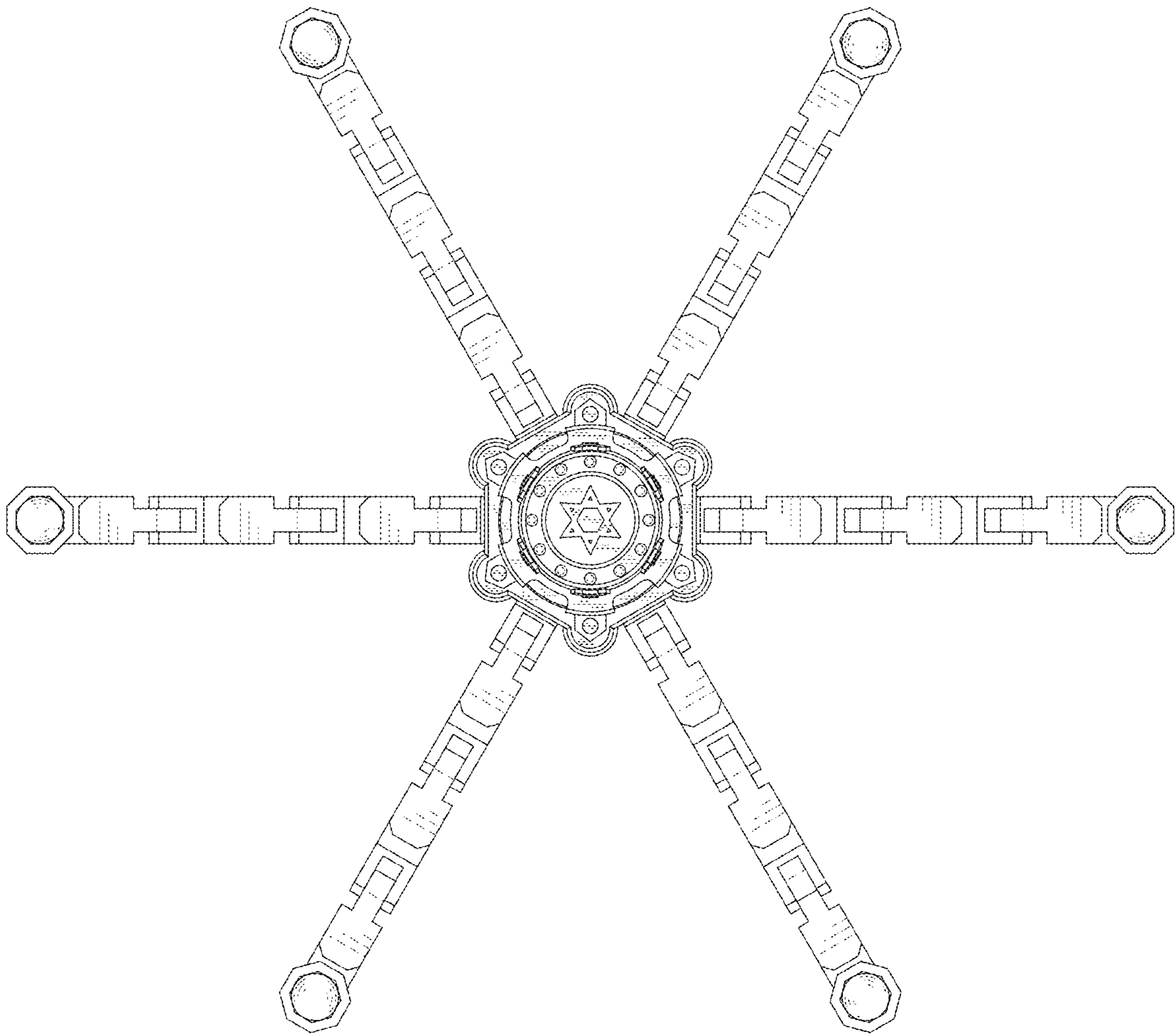


FIG. 3

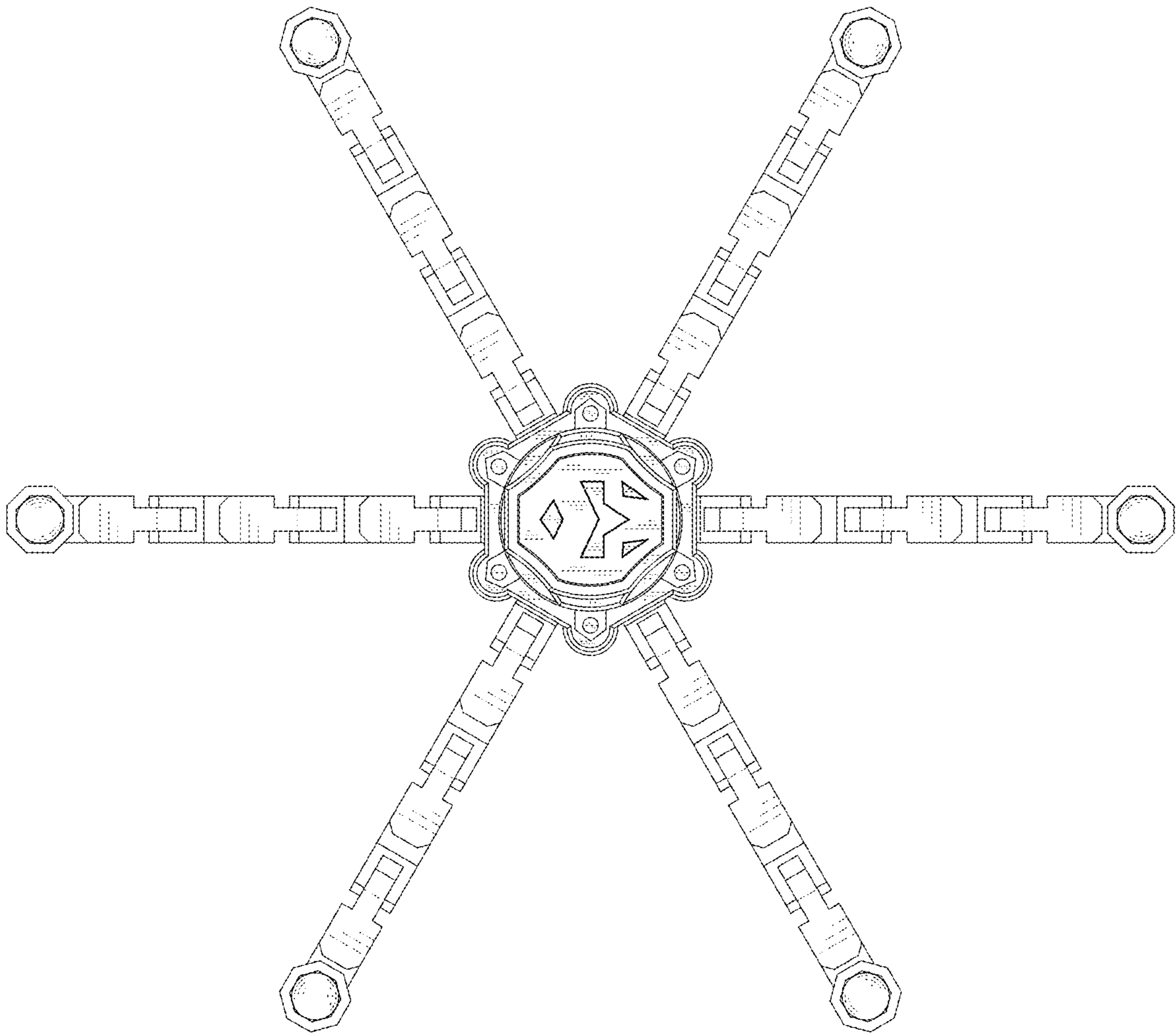


FIG. 4

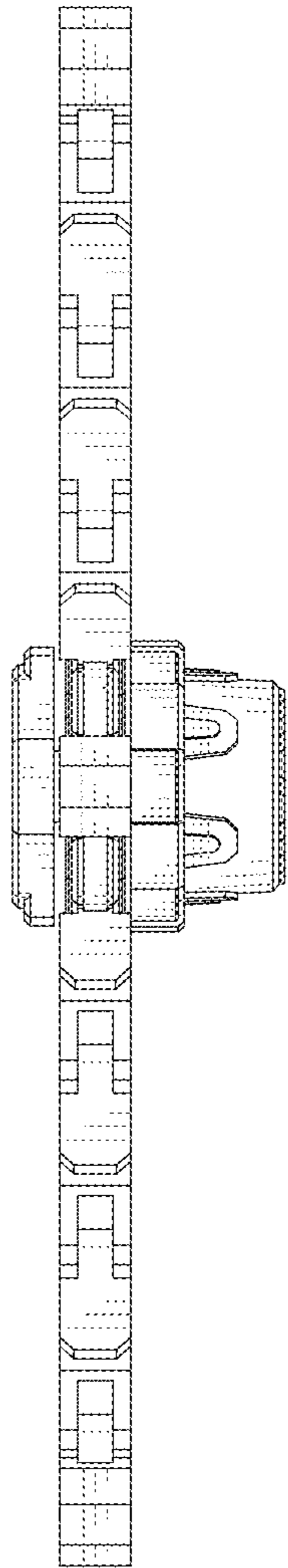


FIG. 5

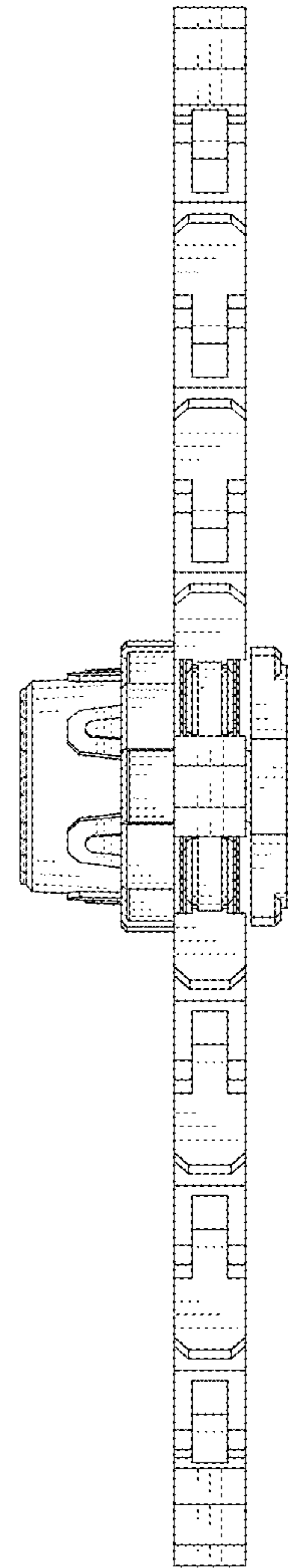


FIG. 6

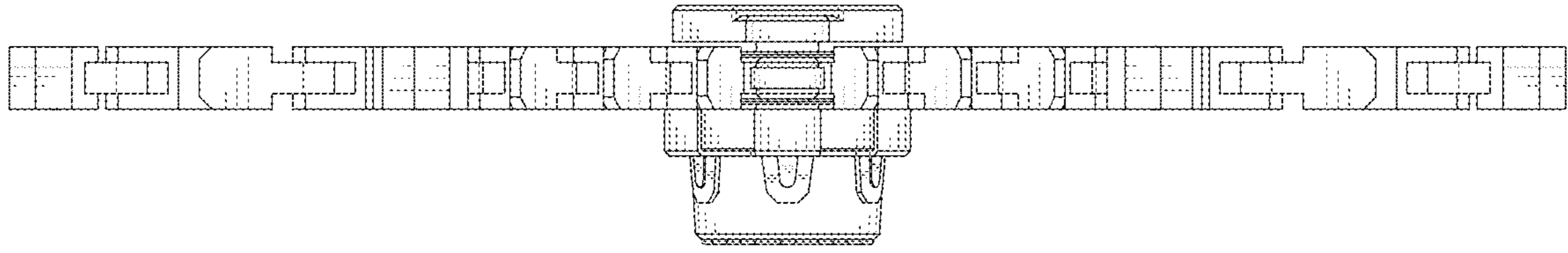


FIG. 7

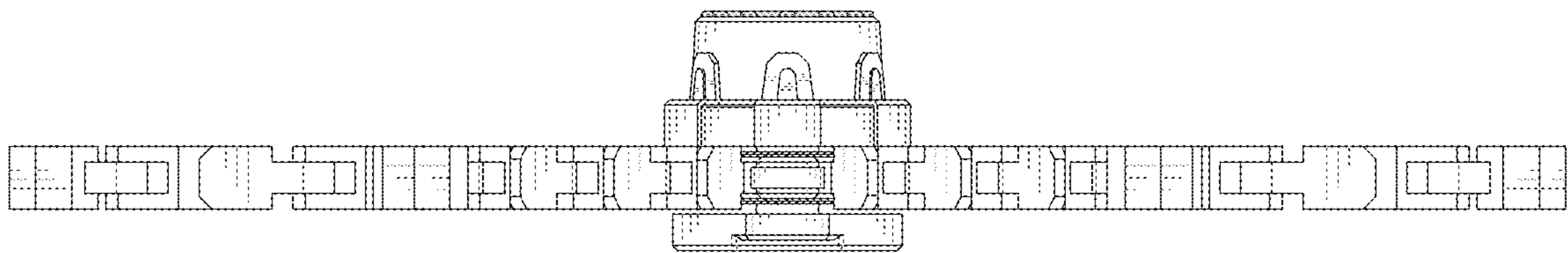


FIG. 8

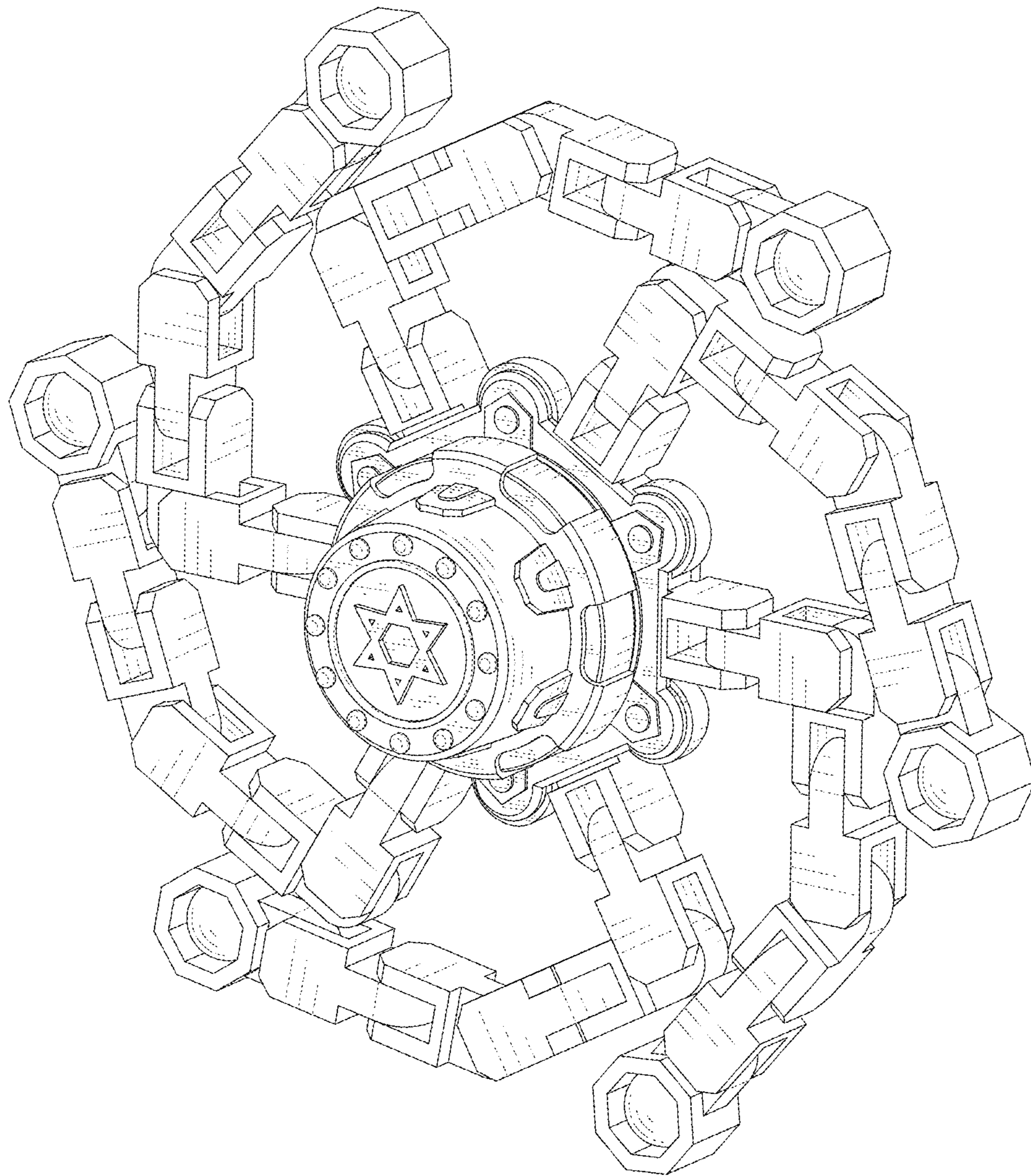


FIG. 9