

US00D961683S

(12) **United States Design Patent** (10) **Patent No.:** **US D961,683 S**
Schultheis et al. (45) **Date of Patent:** **** Aug. 23, 2022**

(54) **PLAYING SURFACE ASSEMBLY FOR SPINNING TOP TOY**
(71) Applicant: **TOMY COMPANY, LTD.**, Tokyo (JP)
(72) Inventors: **Douglas Arthur Schultheis**, Cumberland, RI (US); **Luke C. Lohan**, Abington, MA (US); **Evan Charles Brooks**, Pawtucket, RI (US)
(73) Assignee: **TOMY COMPANY, LTD.**, Tokyo (JP)
(**) Term: **15 Years**

Primary Examiner — Dana K Weiland
Assistant Examiner — Emily Anna Saunders
(74) *Attorney, Agent, or Firm* — Oliff PLC

(21) Appl. No.: **29/753,307**

(22) Filed: **Sep. 30, 2020**

(51) **LOC (13) Cl.** **21-01**

(52) **U.S. Cl.**
USPC **D21/338**

(58) **Field of Classification Search**
USPC D21/561, 566, 312, 334, 338, 365, 362, D21/366, 267, 456; D6/406.3, 406.4,
(Continued)

(56) **References Cited**

U.S. PATENT DOCUMENTS

5,377,860 A * 1/1995 Littlejohn B65D 21/0219
220/4.21
D502,394 S * 3/2005 Jackson D7/602
(Continued)

FOREIGN PATENT DOCUMENTS

CN 306886209 * 10/2021
JP D1698912 * 11/2021
WO WO-D213660-002 * 6/2021

OTHER PUBLICATIONS

New Volt Knockout Battle Set, available on YouTube.com, date posted Nov. 22, 2020, [site visited Nov. 24, 2021], available URL: <https://www.youtube.com/watch?v=q9LZ4E6cTNU> (Year: 2020).*

(Continued)

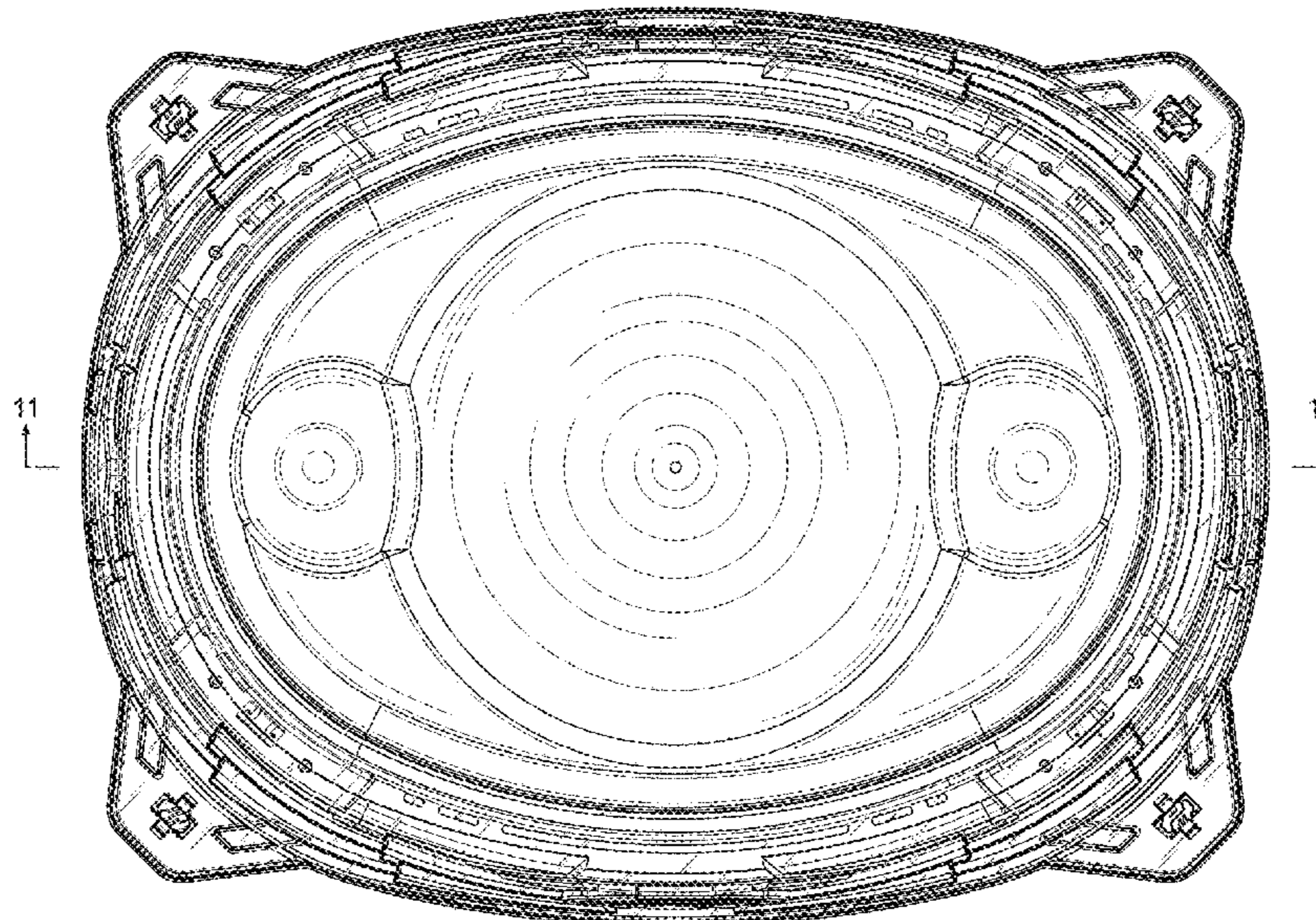
(57) **CLAIM**

The ornamental design for a playing surface assembly for spinning top toy, as shown and described.

DESCRIPTION

FIG. 1 is a front elevational view of the playing surface assembly for spinning top toy, showing the new design; FIG. 2 is a left-side elevational view thereof; FIG. 3 is a rear elevational view thereof; FIG. 4 is a right-side elevational view thereof; FIG. 5 is a top plan view thereof; FIG. 6 is a bottom plan view thereof; FIG. 7 is a front, right-side, top perspective view thereof; FIG. 8 is a rear, left-side, bottom perspective view thereof; FIG. 9 is a front, right-side, top disassembled perspective view, showing a state of being separated into four upper fasteners, a cover, a base, and four legs; FIG. 10 is a rear, left-side, bottom disassembled perspective view, showing a state of being separated into the four upper fasteners, the cover, the base, and the four legs; FIG. 11 is a cross-sectional view taken along the line 11-11 in FIG. 5; FIG. 12 is an enlarged detail perspective view of one of the upper fasteners shown disassembled in FIGS. 9 and 10; FIG. 13 is another enlarged detail perspective view of one of the upper fasteners shown disassembled in FIGS. 9 and 10; FIG. 14 is an enlarged detail perspective view of one of the legs shown disassembled in FIGS. 9 and 10; and, FIG. 15 is another enlarged detail perspective view of one of the legs shown disassembled in FIGS. 9 and 10.

1 Claim, 12 Drawing Sheets



(58) **Field of Classification Search**

USPC D6/406.6; D19/86, 87; D7/354, 554.2,
 D7/554.3, 554.4, 558, 585, 588, 601, 602;
 D9/499, 737, 758; D30/121, 129, 130,
 D30/131, 132, 133; D11/152, 153, 154
 CPC A63H 1/00-10; A63H 1/12; A63H 29/24;
 A63F 9/16; A63F 3/00; A63F 3/00003;
 A63F 3/00028; A63F 3/00173; A63F
 3/00176; A63F 3/00214; A63F 3/00643

See application file for complete search history.

(56) **References Cited**

U.S. PATENT DOCUMENTS

D658,540	S	*	5/2012	Korzeniowski	D11/153
D696,111	S	*	12/2013	Sundy	D9/429
D834,651	S	*	11/2018	Schultheis	D21/338
D869,560	S	*	12/2019	Schultheis	D21/338
D884,078	S	*	5/2020	Hama	D21/338
D884,797	S	*	5/2020	Schultheis	D21/338
D900,228	S	*	10/2020	Schultheis	D21/338
D912,157	S	*	3/2021	Hama	D21/338
D913,604	S	*	3/2021	Wang	D30/132
11,154,769	B2	*	10/2021	Schultheis	A63F 9/16
2020/0139224	A1	*	5/2020	Schultheis	A63H 1/00
2021/0220724	A1	*	7/2021	Schultheis	A63F 9/16

OTHER PUBLICATIONS

Volt Knockout Battle Set Unboxing, available on YouTube.com, date posted Nov. 28, 2020, [site visited Nov. 24, 2021], available URL: <https://www.youtube.com/watch?v=w65H6OohYuo> (Year: 2020).*

Unboxing: Beyblade Burst Surge Speed Storm Volt Knockout Battle Set!, available on YouTube.com, date posted Nov. 30, 2020, [site visited Nov. 24, 2021], available URL: <https://www.youtube.com/watch?v=AvR3W5OkVSY> (Year: 2020).*

Volt Knockout Battle Set, available on beyblade.fandom.com, United States release date Dec. 2020, [site visited Nov. 24, 2021], available URL: https://beyblade.fandom.com/wiki/Volt_Knockout_Battle_Set (Year: 2020).*

Beyblade Burst Surge Speedstorm Volt Knockout Battle Set, available on Amazon.com, release date: Dec. 1, 2020, available URL: <https://www.amazon.com/BEYBLADE-Burst-Speedstorm-Knockout-Battle/dp/B08J5RMZ2S/> (Year: 2020).*

Beyblade BEY SPS Volt Knockout Battle Set, available on Amazon.uk.com, date first available: Jan. 1, 2020, [site visited Nov. 12, 2021], available URL: <https://www.amazon.co.uk/BEY-BLADE-Volt-Knockout-Battle/dp/B08F2RB8KK/> (Year: 2020).*

Gist Gear Best Battling Tops Buying Guide, #6 Beyblade Burst Surge Speedstorm Volt Knockout Battle Set, blog published Nov. 24, 2021, first available Dec. 1, 2020, [site visited Nov. 24, 2021], available URL: <https://gistgear.com/toys/games/battling-tops> (Year: 2020).*

* cited by examiner

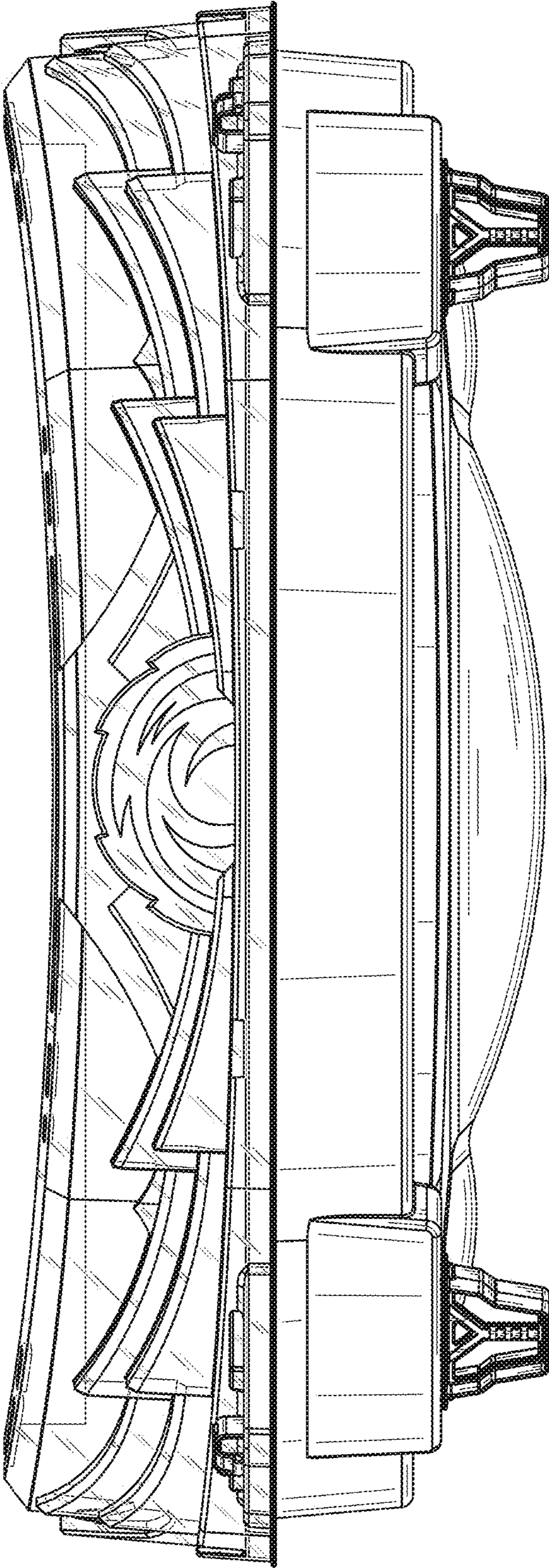


FIG. 1

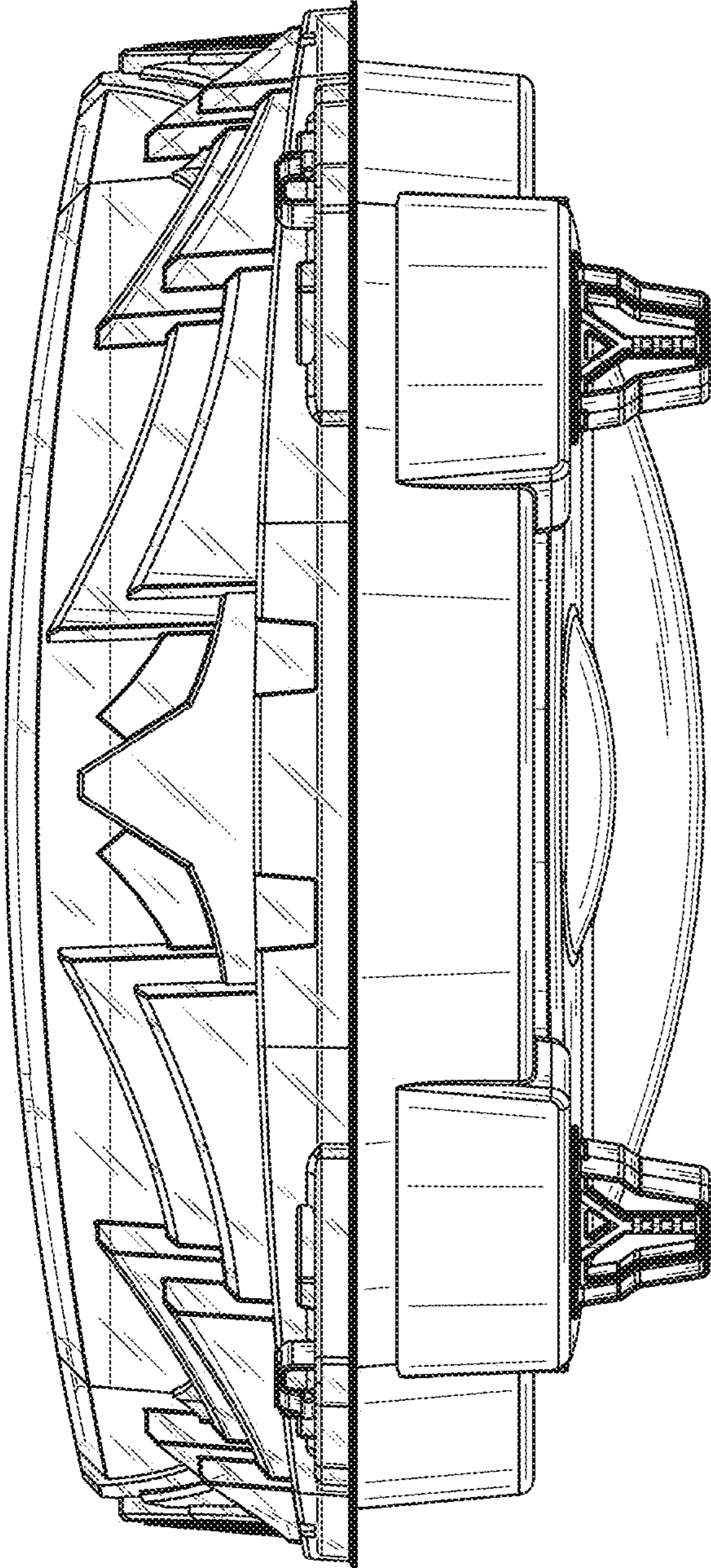


FIG. 2

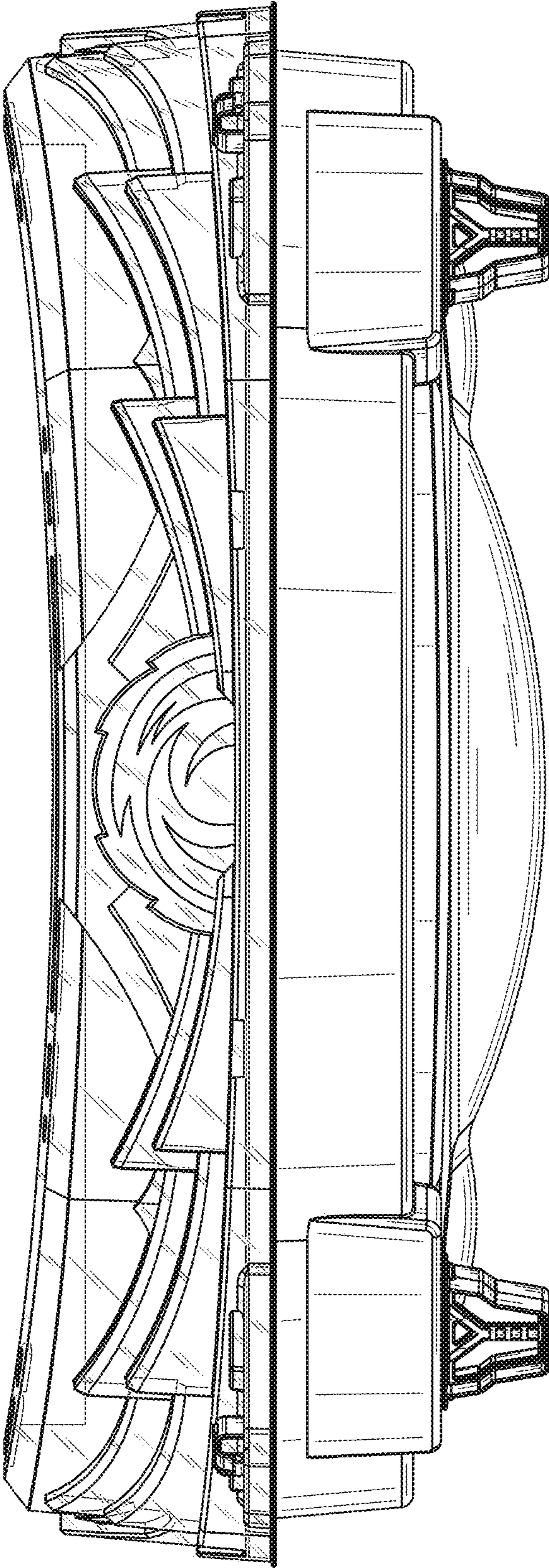


FIG. 3

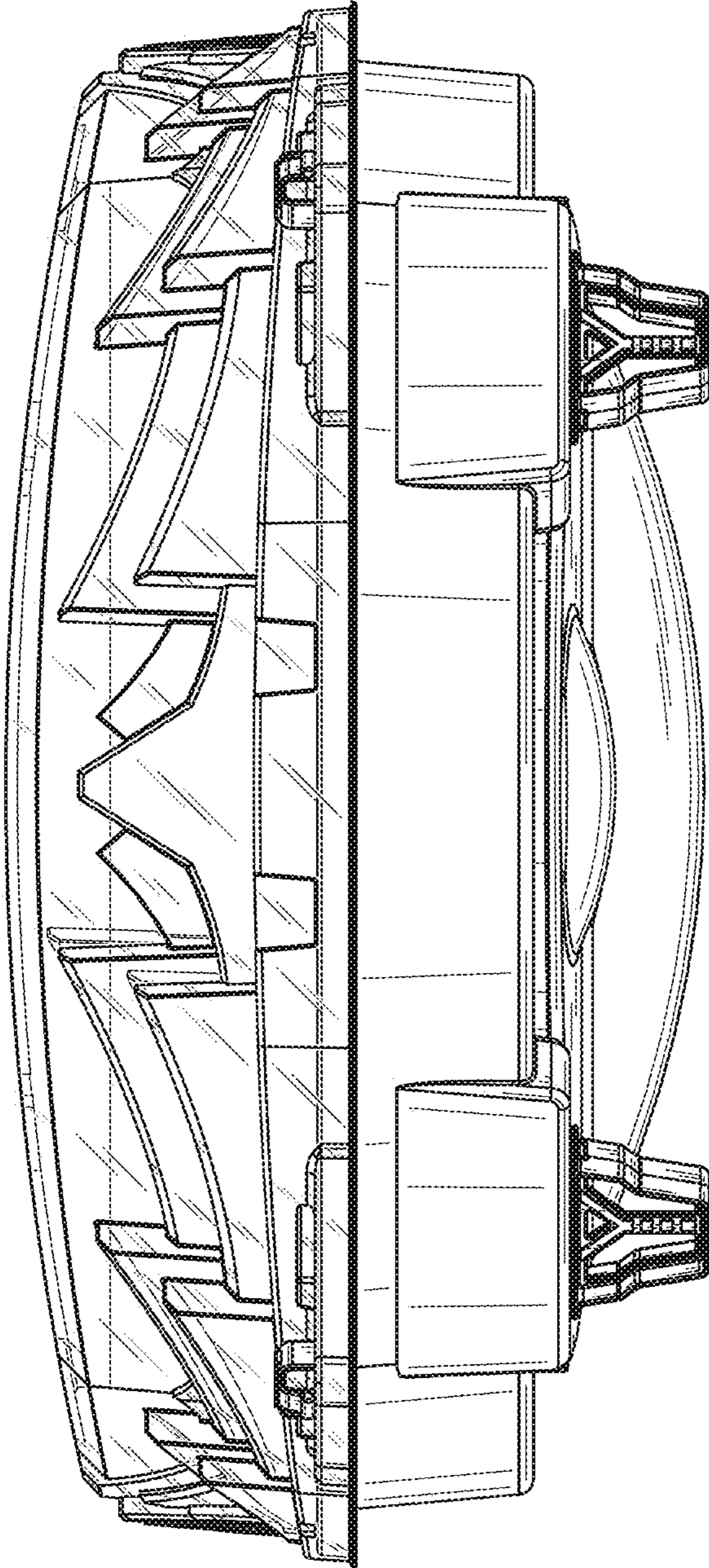


FIG. 4

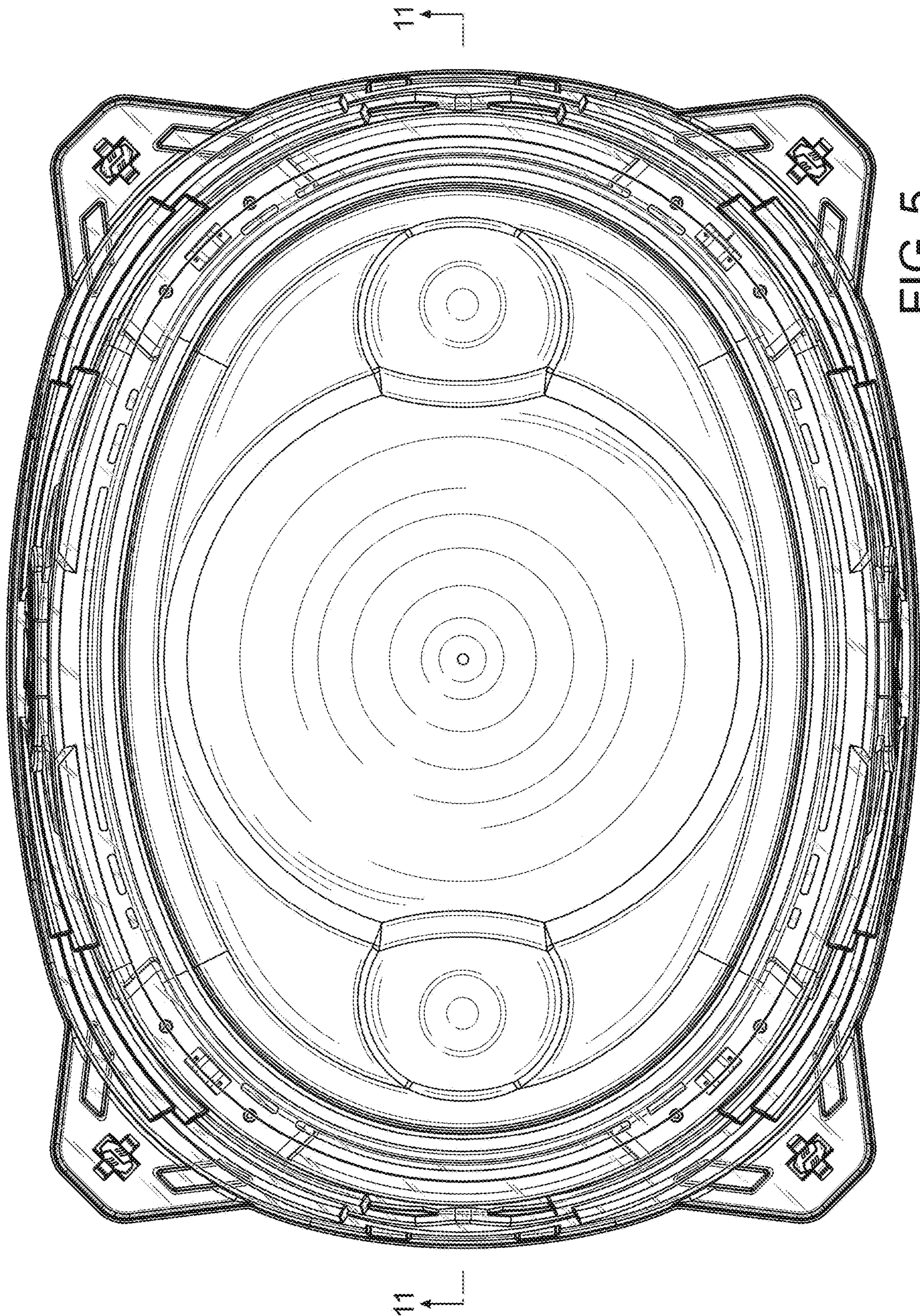


FIG. 5

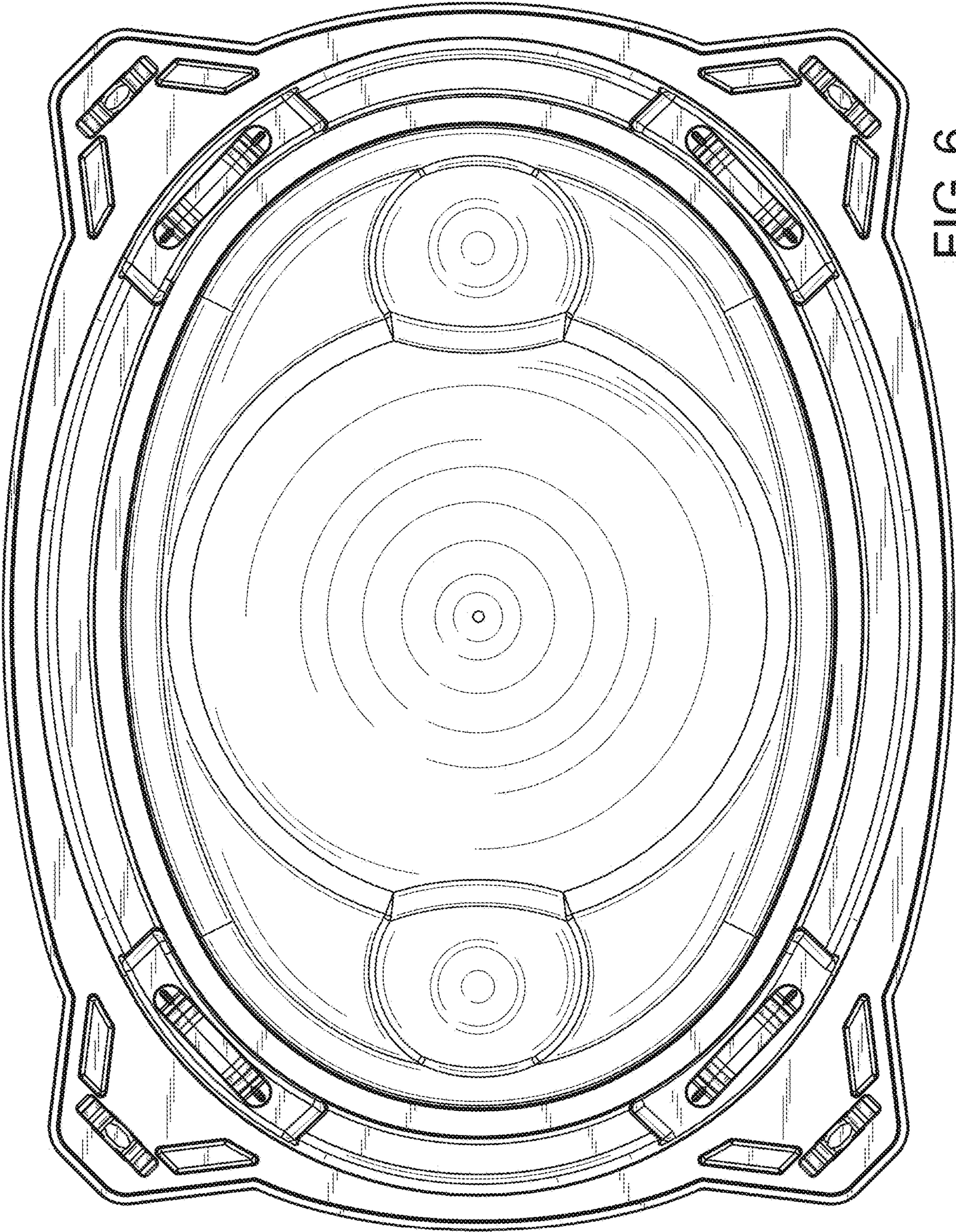


FIG. 6

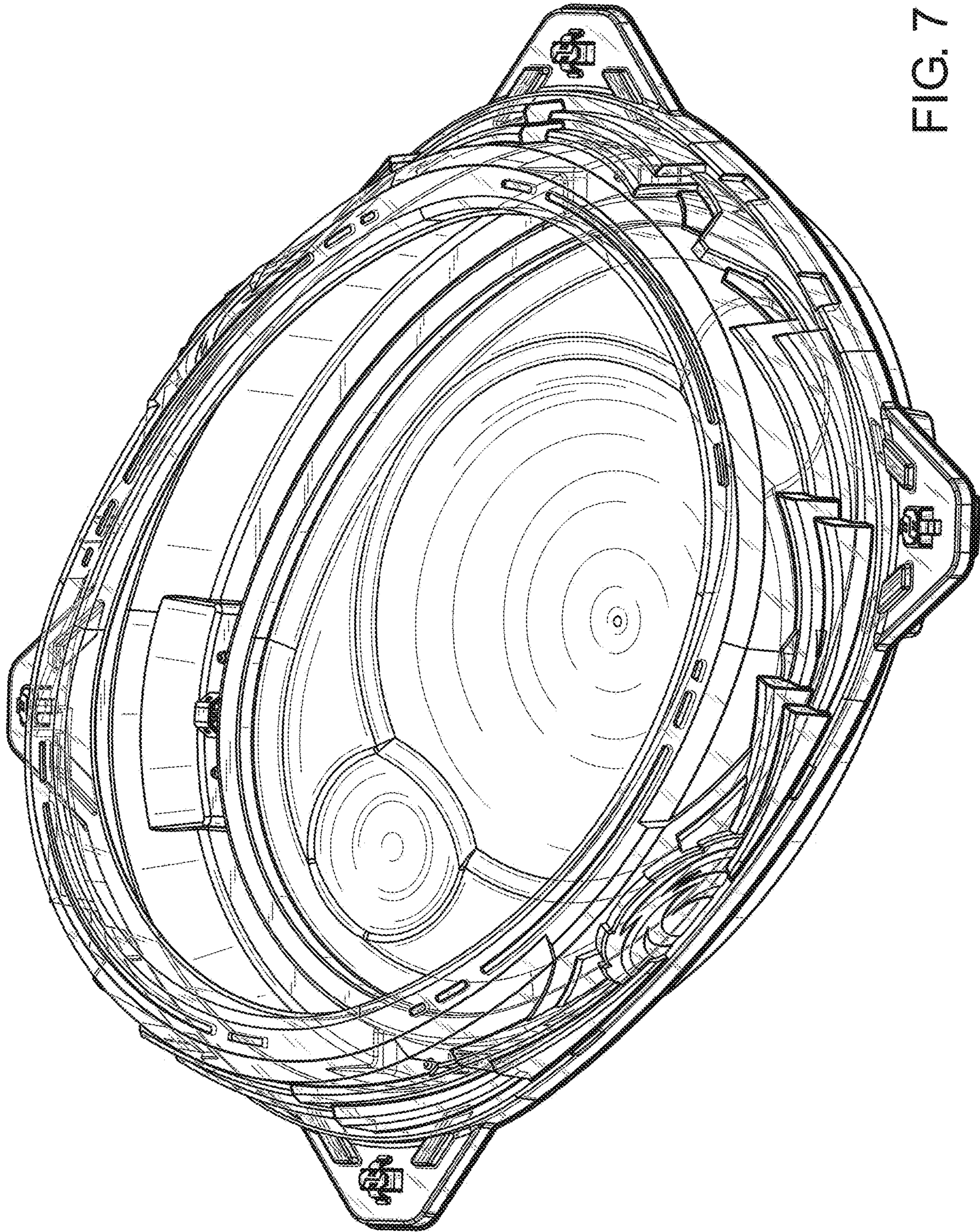


FIG. 7

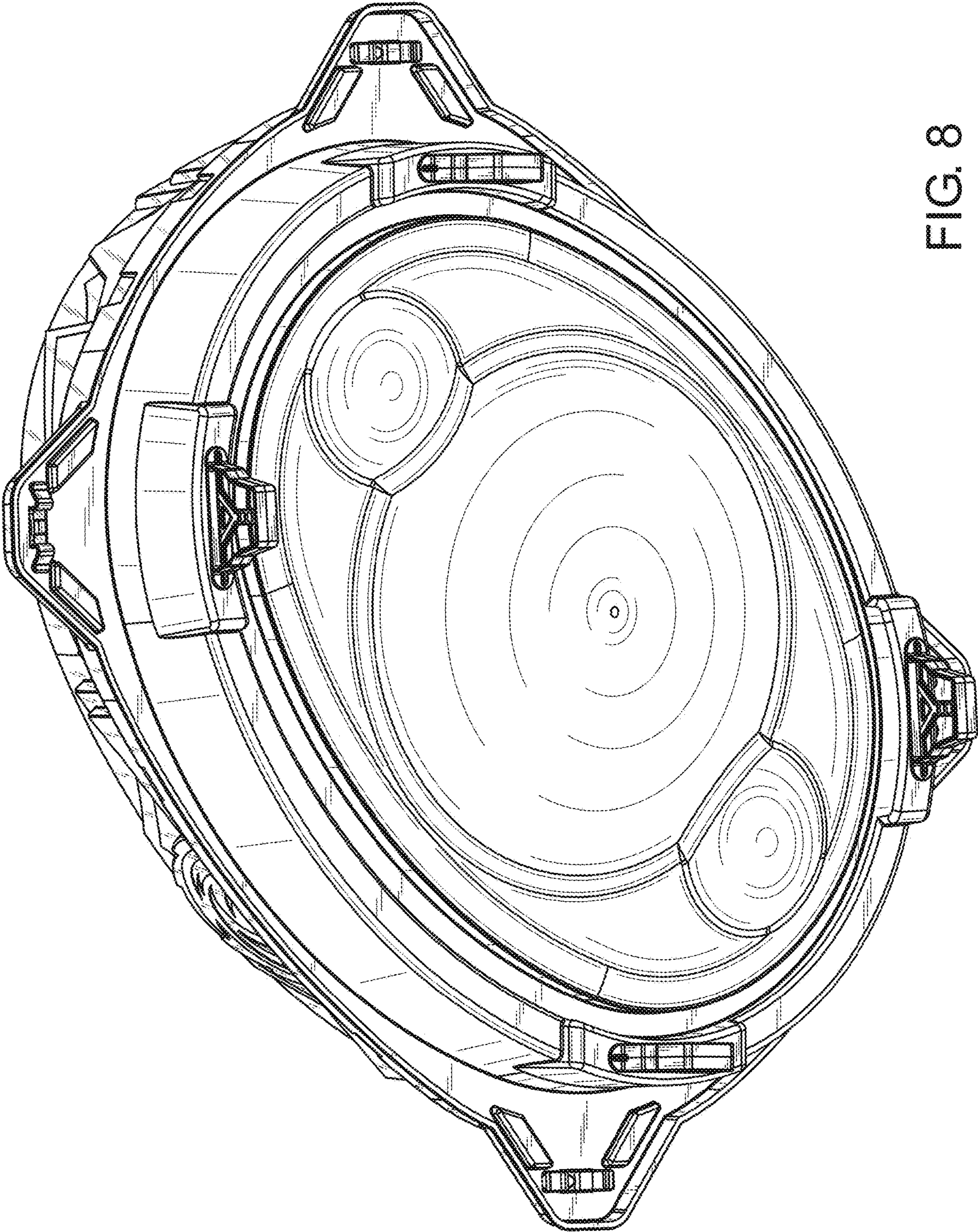


FIG. 8

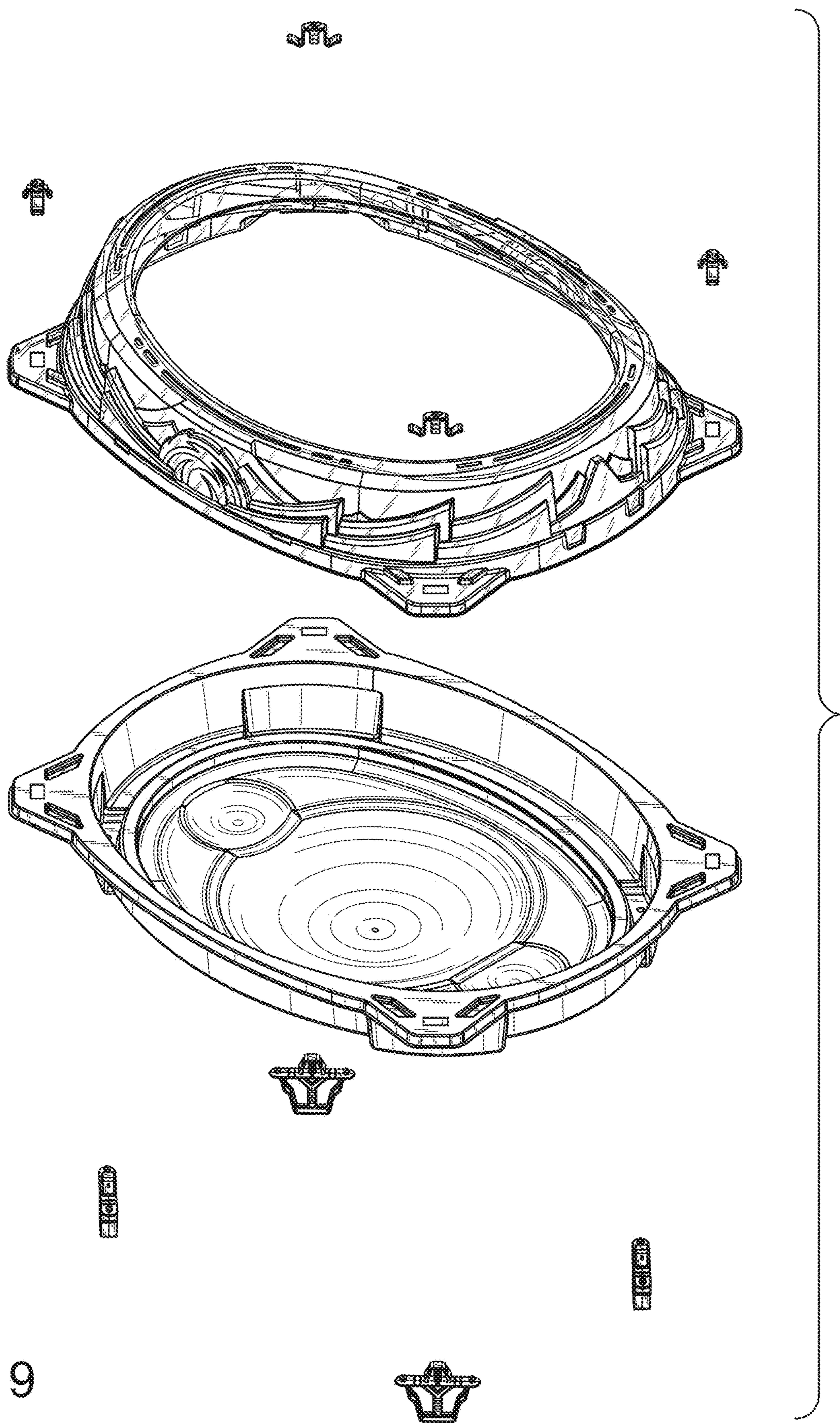


FIG. 9

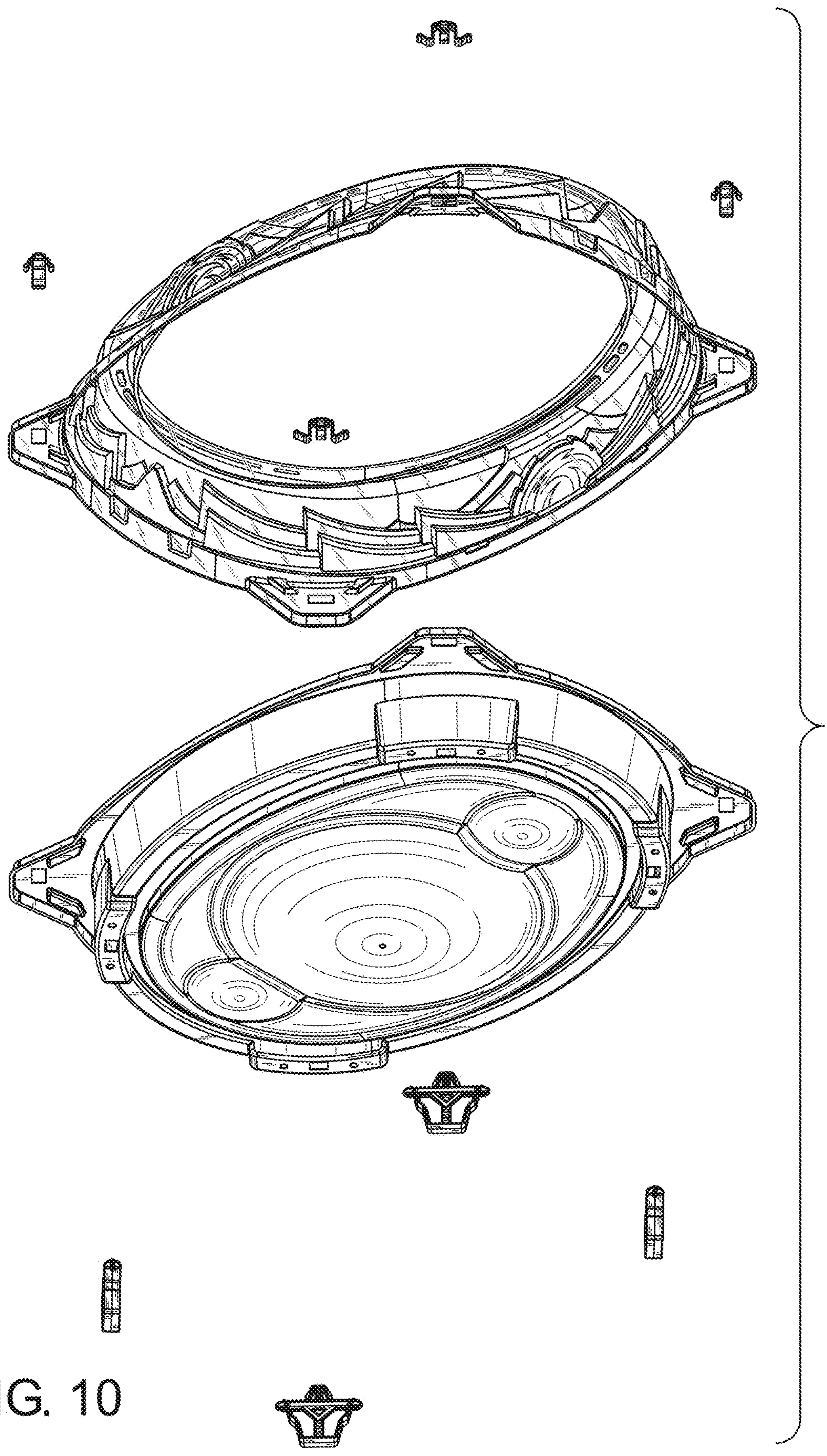


FIG. 10

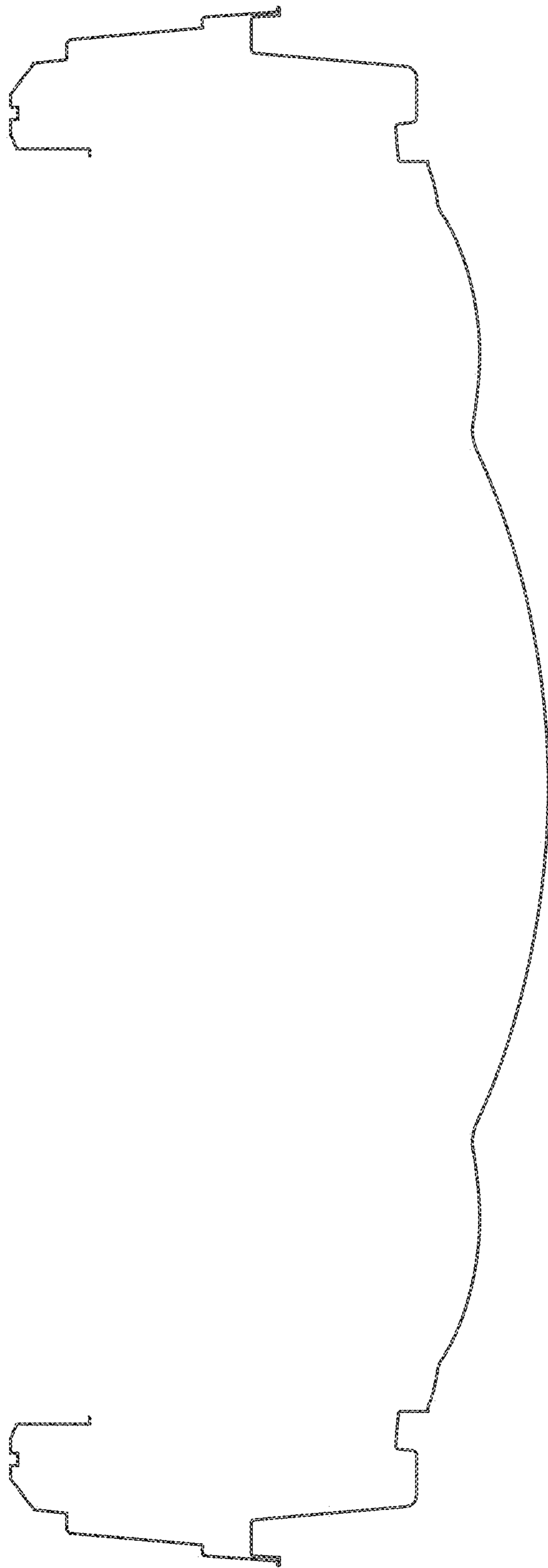


FIG. 11

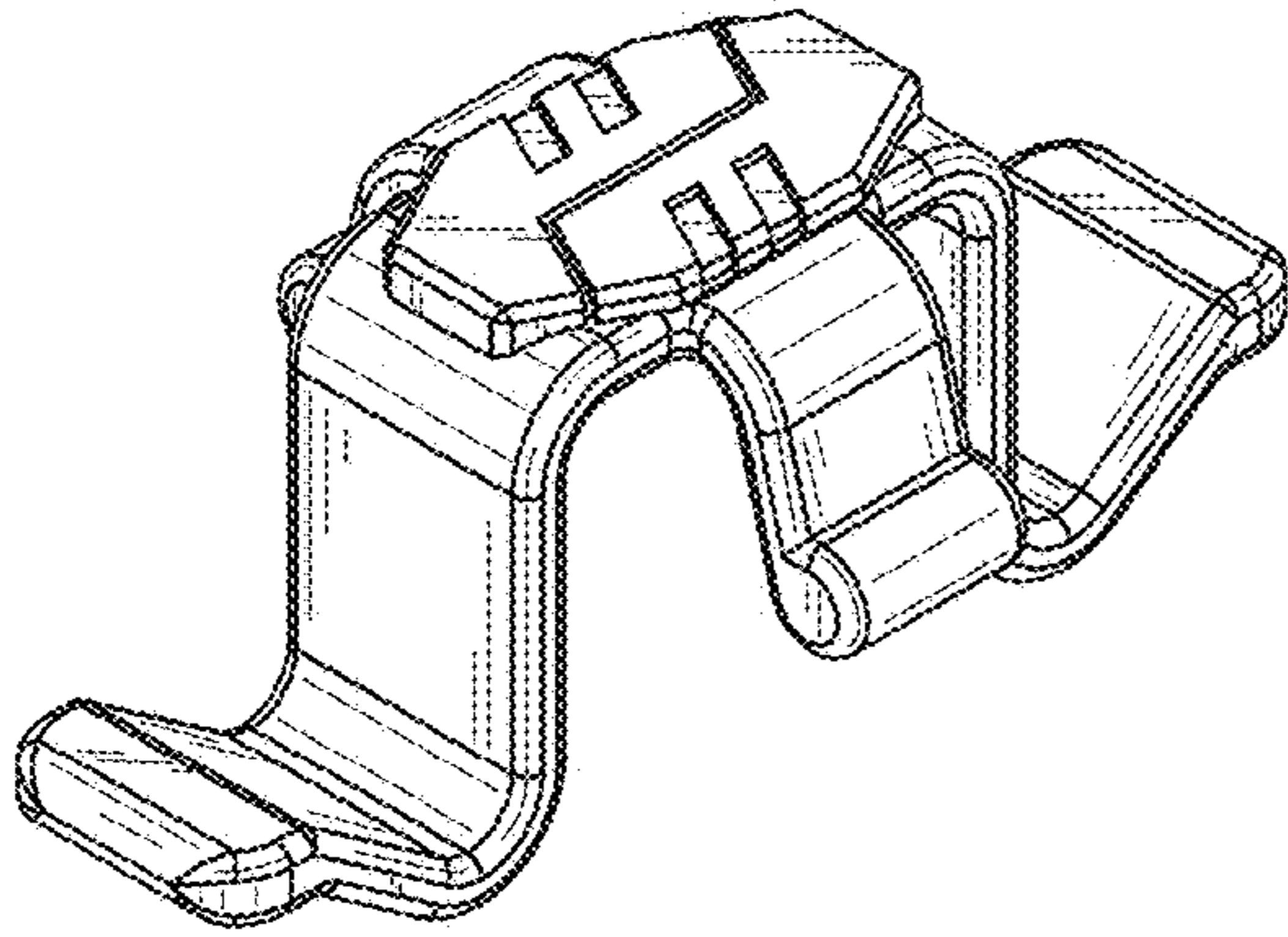


FIG. 12

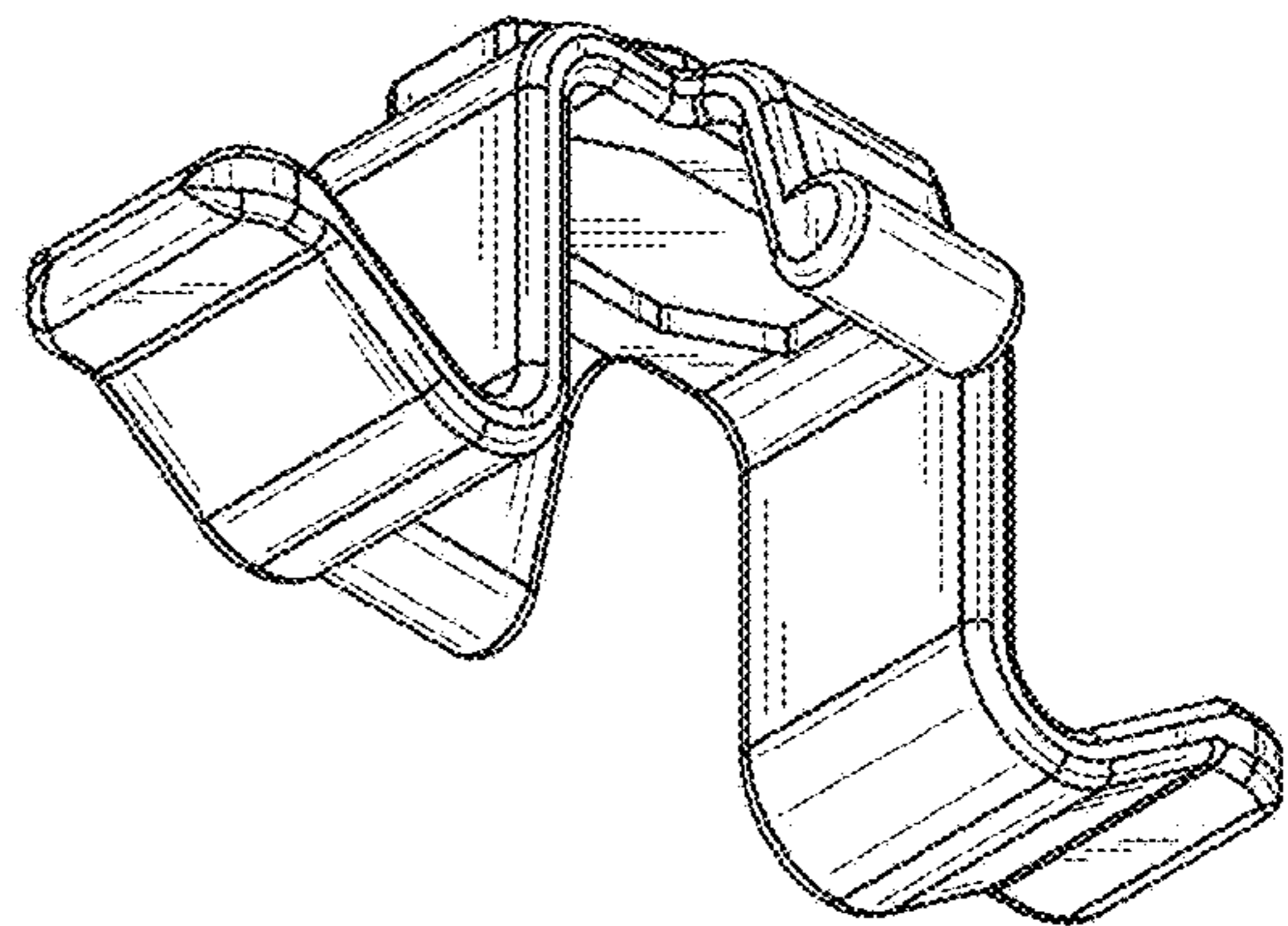


FIG. 13

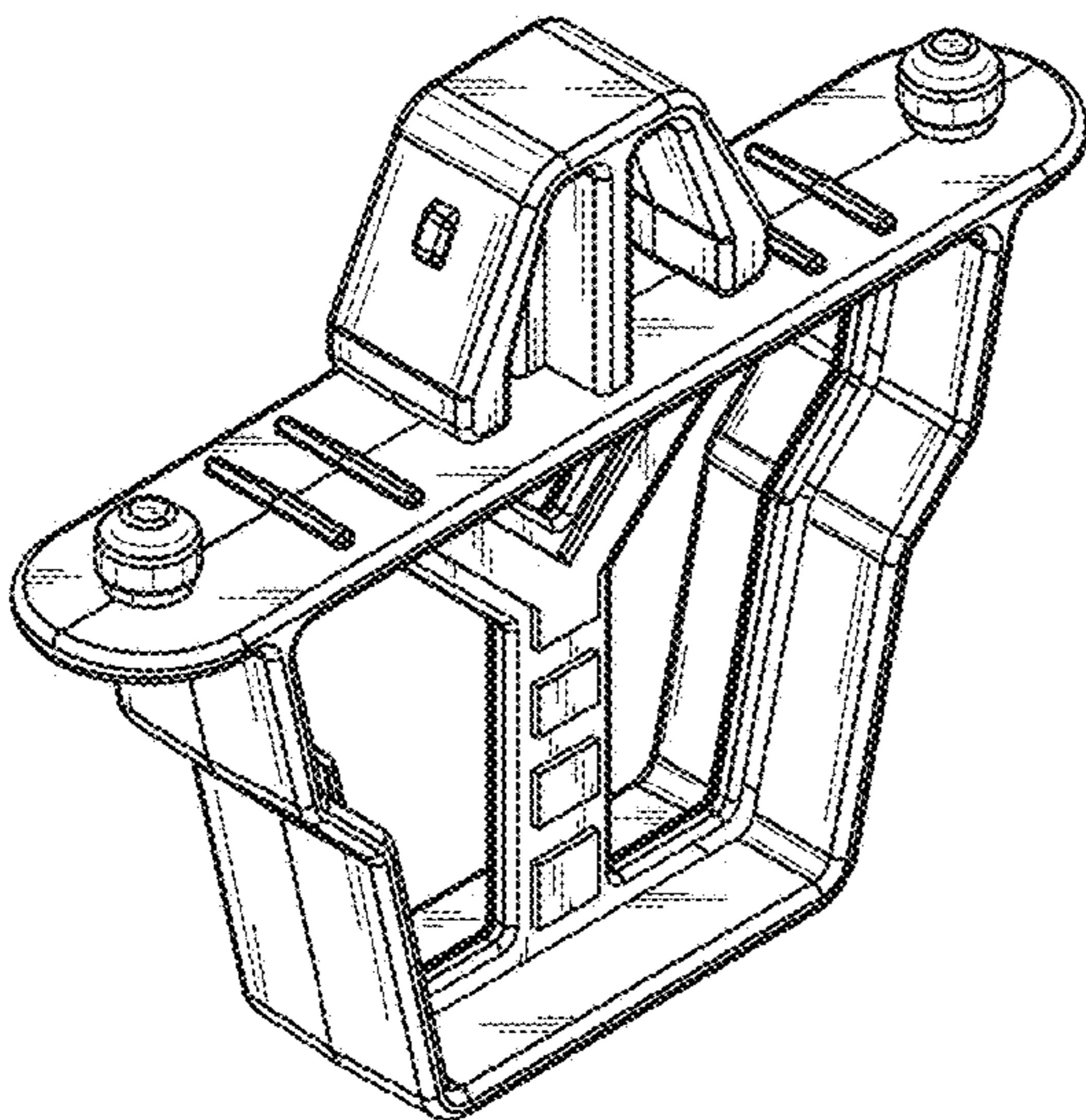


FIG. 14

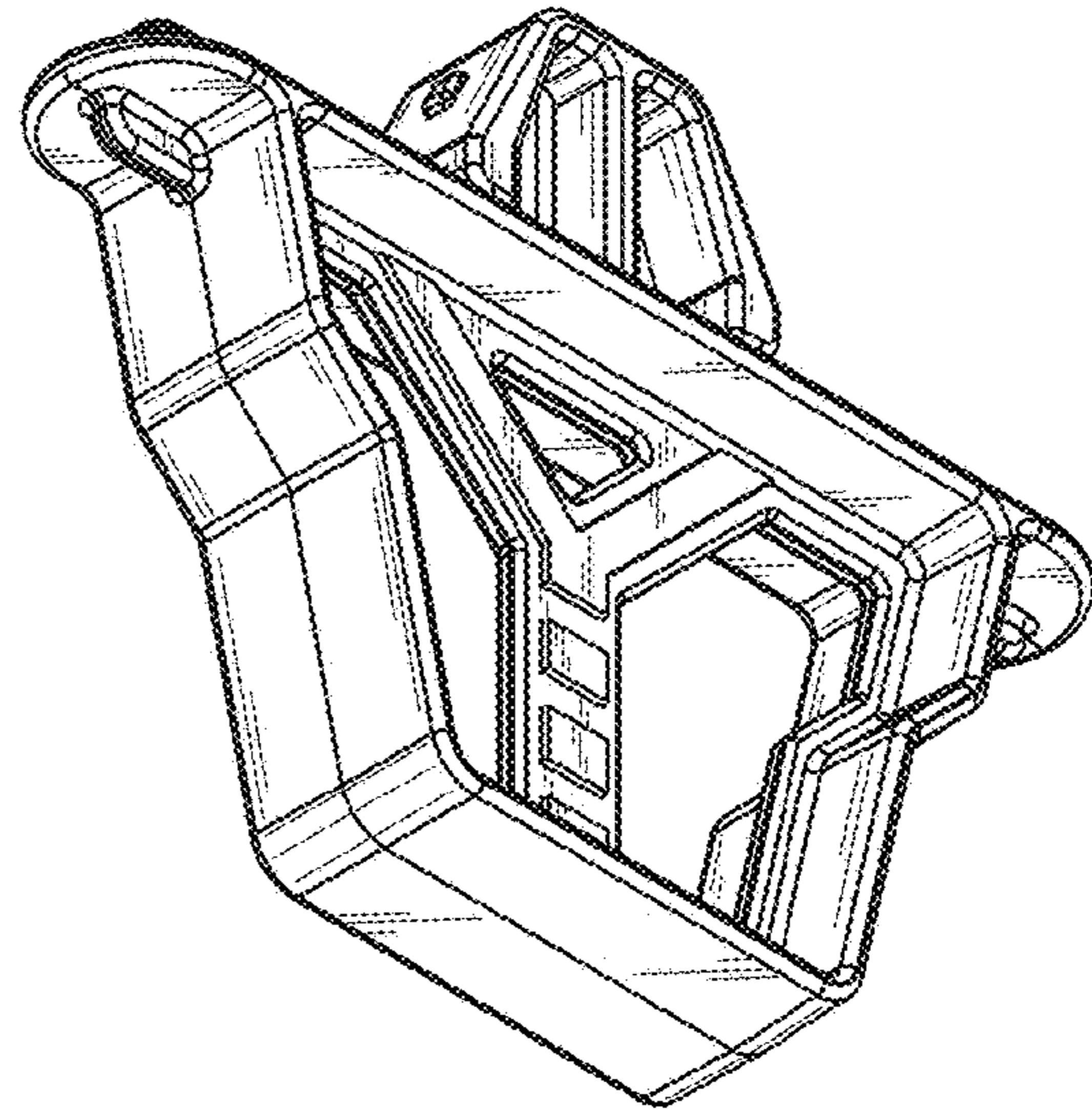


FIG. 15