



US00D961682S

(12) **United States Design Patent**  
**Jiang**

(10) **Patent No.:** **US D961,682 S**

(45) **Date of Patent:** **\*\* Aug. 23, 2022**

(54) **GAME CONTROLLER**

(71) Applicant: **DONGGUAN ENKE ELECTRONIC TECHNOLOGY CO., LTD.**,  
Dongguan (CN)

(72) Inventor: **Dan Jiang**, Ji'an (CN)

(73) Assignee: **DONGGUAN ENKE ELECTRONIC TECHNOLOGY CO., LTD.**,  
Dongguan (CN)

(\*\*) Term: **15 Years**

(21) Appl. No.: **29/802,778**

(22) Filed: **Aug. 8, 2021**

(51) **LOC (13) Cl.** ..... **21-01**

(52) **U.S. Cl.**  
USPC ..... **D21/333**; D14/401

(58) **Field of Classification Search**  
USPC ... D14/125-126, 127-137, 138, 138 G, 168,  
D14/217-218, 248, 315-318, 322, 326,  
D14/334-336, 339, 340-347, 356,  
D14/387-389, 399-401, 405-410,  
D14/412-416, 421-430, 443, 449-450,  
D14/454, 474, 483, 496; D21/324-329,  
D21/330, 332, 333, 566; D6/300, 310,  
D6/314, 320, 332, 553, 657; D10/50, 65,  
D10/104.1; D18/6-7; D19/26, 59-60  
CPC .... A63F 9/00; A63F 9/24; A63F 11/00; A63F  
13/02; A63F 13/06; A63F 13/24; A63F  
13/98; H04M 1/0202; H04M 1/0266;  
H04M 1/725

See application file for complete search history.

(56) **References Cited**

**U.S. PATENT DOCUMENTS**

D424,047 S \* 5/2000 Chan ..... D14/401  
D522,011 S \* 5/2006 Hayes ..... D14/401  
D522,012 S \* 5/2006 Hayes ..... D14/454  
D547,763 S \* 7/2007 Hayes ..... D14/401

D581,422 S \* 11/2008 Hayes ..... D14/401  
D658,178 S \* 4/2012 Ikeda ..... D14/401  
D709,498 S \* 7/2014 Morris ..... D14/401  
D718,818 S \* 12/2014 Sumii ..... D14/401  
D768,786 S \* 10/2016 Seflic ..... D14/401  
D783,722 S 4/2017 Peng

(Continued)

**FOREIGN PATENT DOCUMENTS**

EM 008643548-0002 \* 8/2021  
EM 008643548-0006 \* 8/2021  
GB 6152676 \* 8/2021

**OTHER PUBLICATIONS**

OFOTEIN Wireless Controller, date first available: Nov. 1, 2021,  
[retrieved May 17, 2022], Retrieved from Internet, URL: <[https://www.amazon.com/dp/B09HX74PV2/ref=sspa\\_dk\\_detail\\_2?pf\\_rd\\_p=b9951ce4-3bd8-4b04-9123-0fda35d6155e&pd\\_rd\\_wg=Ru8qq&pf\\_rd\\_r=YK%E2%80%A6&th=1](https://www.amazon.com/dp/B09HX74PV2/ref=sspa_dk_detail_2?pf_rd_p=b9951ce4-3bd8-4b04-9123-0fda35d6155e&pd_rd_wg=Ru8qq&pf_rd_r=YK%E2%80%A6&th=1)> (Year: 2021).\*

(Continued)

*Primary Examiner* — Messina L Smith

*Assistant Examiner* — Aram Kwon

(57) **CLAIM**

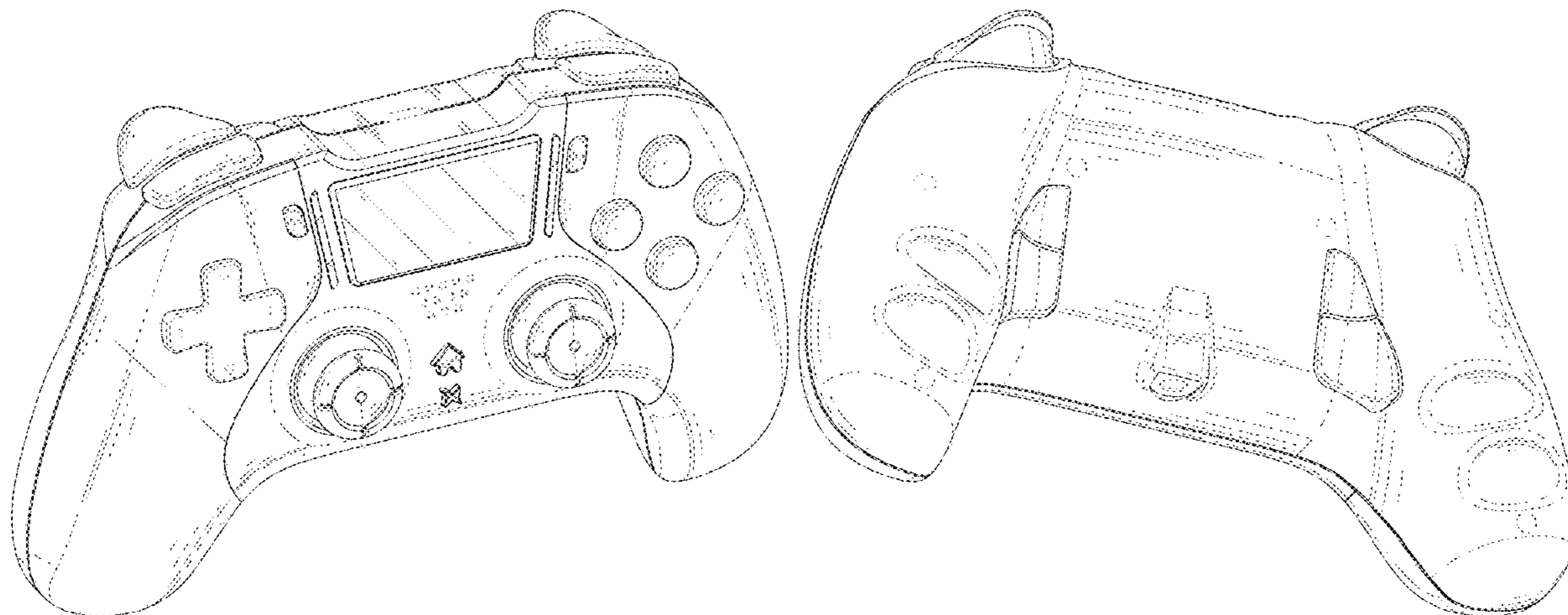
The ornamental design for a game controller, as shown and described.

**DESCRIPTION**

FIG. 1 is a perspective view of a game controller showing my new design;  
FIG. 2 is another perspective view thereof;  
FIG. 3 is a front elevational view thereof  
FIG. 4 is a rear elevational view thereof;  
FIG. 5 is a left side elevational view thereof;  
FIG. 6 is a right side elevational view thereof;  
FIG. 7 is a top plan view thereof; and,  
FIG. 8 is a bottom plan view thereof.

The broken lines in the drawings depict portions of the game controller that form no part of the claimed design.

**1 Claim, 8 Drawing Sheets**



(56)

References Cited

U.S. PATENT DOCUMENTS

D794,717 S \* 8/2017 Kujawski ..... D14/401  
 D823,945 S \* 7/2018 Falc ..... D14/416  
 D831,648 S \* 10/2018 Tong ..... D14/401  
 D854,619 S \* 7/2019 Konishi ..... D14/401  
 D865,766 S \* 11/2019 Hu ..... D14/401  
 D867,460 S \* 11/2019 Yan ..... D21/333  
 D881,281 S \* 4/2020 Tong ..... D21/333  
 D881,282 S \* 4/2020 Ironmonger ..... D14/401  
 D881,283 S \* 4/2020 Ironmonger ..... D14/401  
 D888,832 S \* 6/2020 Tong ..... D21/333  
 D889,549 S \* 7/2020 Ironmonger ..... D14/401  
 D889,550 S \* 7/2020 Ironmonger ..... D14/401  
 D890,263 S \* 7/2020 Tong ..... D21/333  
 D894,281 S \* 8/2020 Wang ..... D21/333  
 D905,165 S 12/2020 Adams et al.  
 D905,168 S \* 12/2020 Chatterjee ..... D21/333  
 D906,430 S \* 12/2020 Feng ..... D21/333  
 D907,119 S \* 1/2021 Zhou ..... D21/333  
 D907,706 S \* 1/2021 Yang ..... D21/333  
 D912,734 S \* 3/2021 Yang ..... D21/333  
 D921,115 S \* 6/2021 Tong ..... D21/333  
 D921,116 S \* 6/2021 Zhou ..... D21/333  
 D923,097 S \* 6/2021 Zhao ..... D21/333  
 D923,098 S \* 6/2021 Zhao ..... D21/333  
 D923,100 S \* 6/2021 Zhou ..... D21/333  
 D926,887 S \* 8/2021 Yang ..... D21/333

D928,235 S \* 8/2021 Paterson ..... D21/333  
 D928,880 S \* 8/2021 Yu ..... D21/333  
 D935,460 S \* 11/2021 Zhu ..... D14/401  
 D936,146 S \* 11/2021 Hsu ..... D21/333  
 D940,244 S \* 1/2022 Zhou ..... D21/333  
 D947,946 S \* 4/2022 Luo ..... D21/333  
 D947,948 S \* 4/2022 Ma ..... D21/333  
 D951,354 S \* 5/2022 Feng ..... D21/333  
 2008/0311992 A1\* 12/2008 Young ..... A63F 13/24  
 463/37  
 2021/0379488 A1\* 12/2021 Falc ..... A63F 13/24

OTHER PUBLICATIONS

Wireless Game Controller for PS4, date first available: Aug. 4, 2021, [retrieved May 17, 2022], Retrieved from Internet, URL: <<https://www.amazon.com/Controller-Compatible-Playstation-Vibration-Connection-4/dp/B097TQCMTG>> (Year: 2021).\*

Wireless PS4 Gamepad-DS8, date not available, [retrieved May 17, 2022], Retrieved from Internet, URL: <<https://www.mijoygaming.com/PS-Controller/Wireless-PS4-Gamepad-4.html>> (Year: 2022).\*

TERIOS PS5 Charger Station, date not available, [retrieved May 17, 2022], Retrieved from Internet, URL: <<https://www.teriosgaming.com/collections/playstation-4-wireless-controllers/products/terios-ps5-charger-station-playstation-5-controller-docking-station>> (Year: 2022).\*

\* cited by examiner





FIG. 1

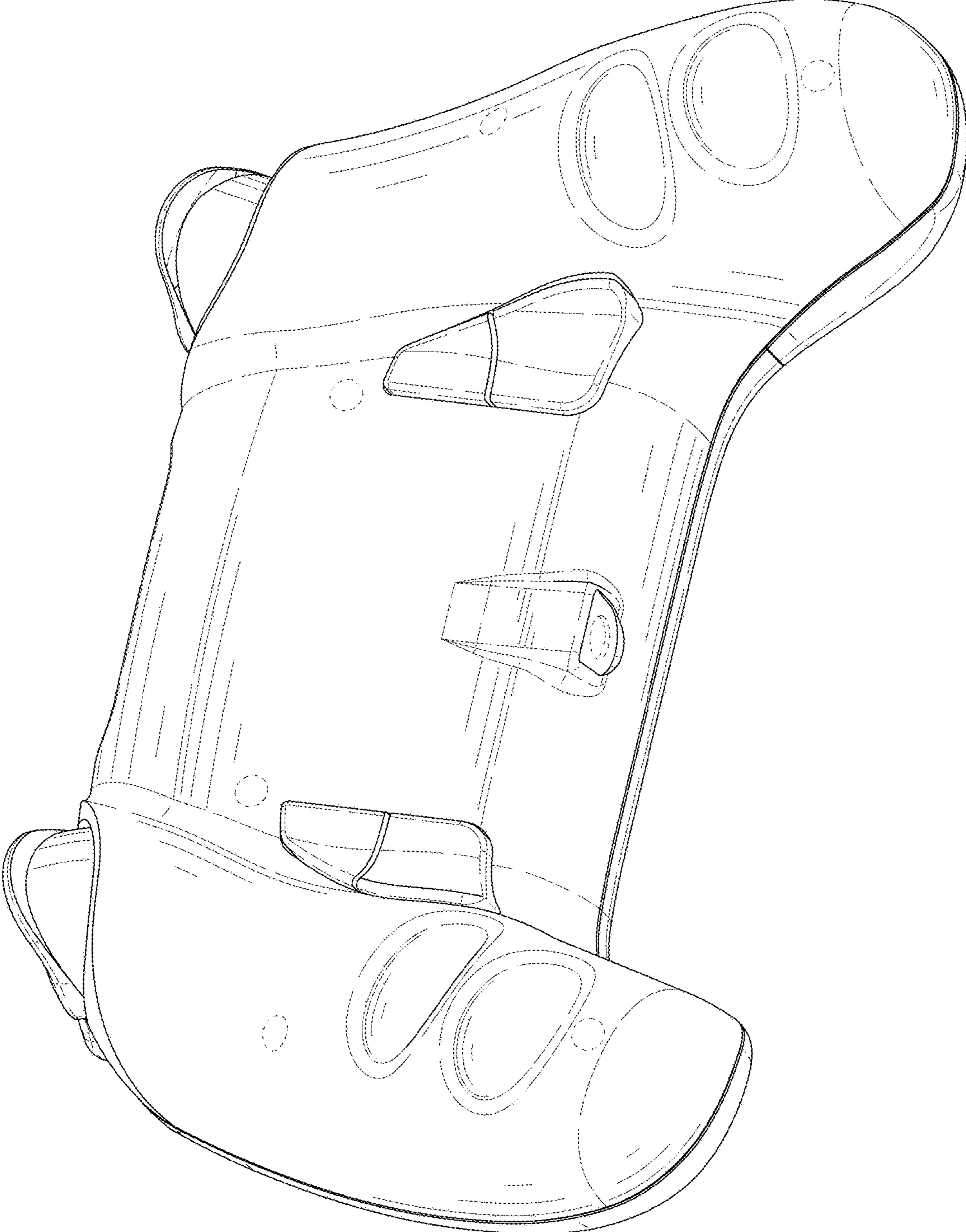


FIG. 2

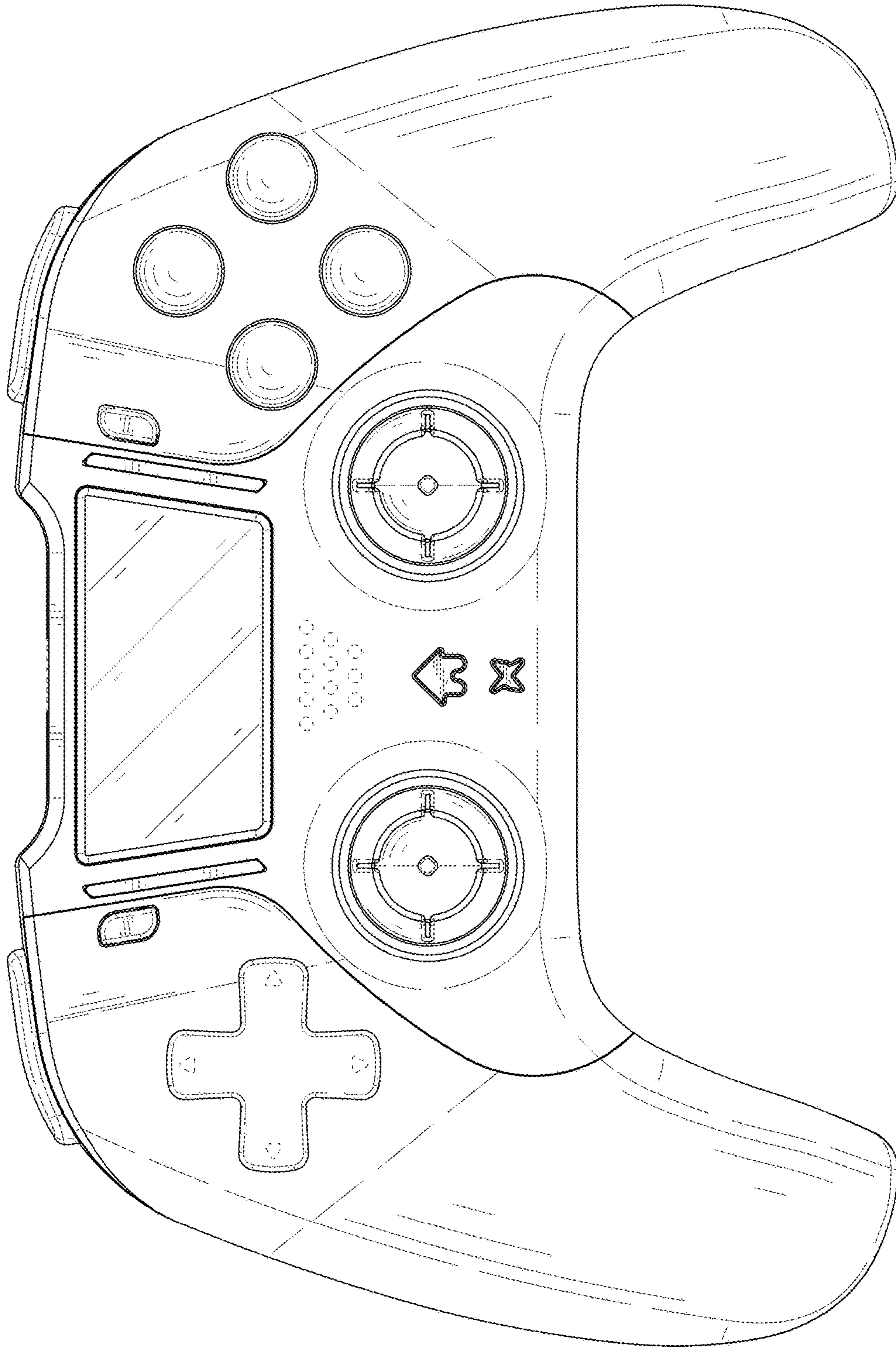


FIG. 3



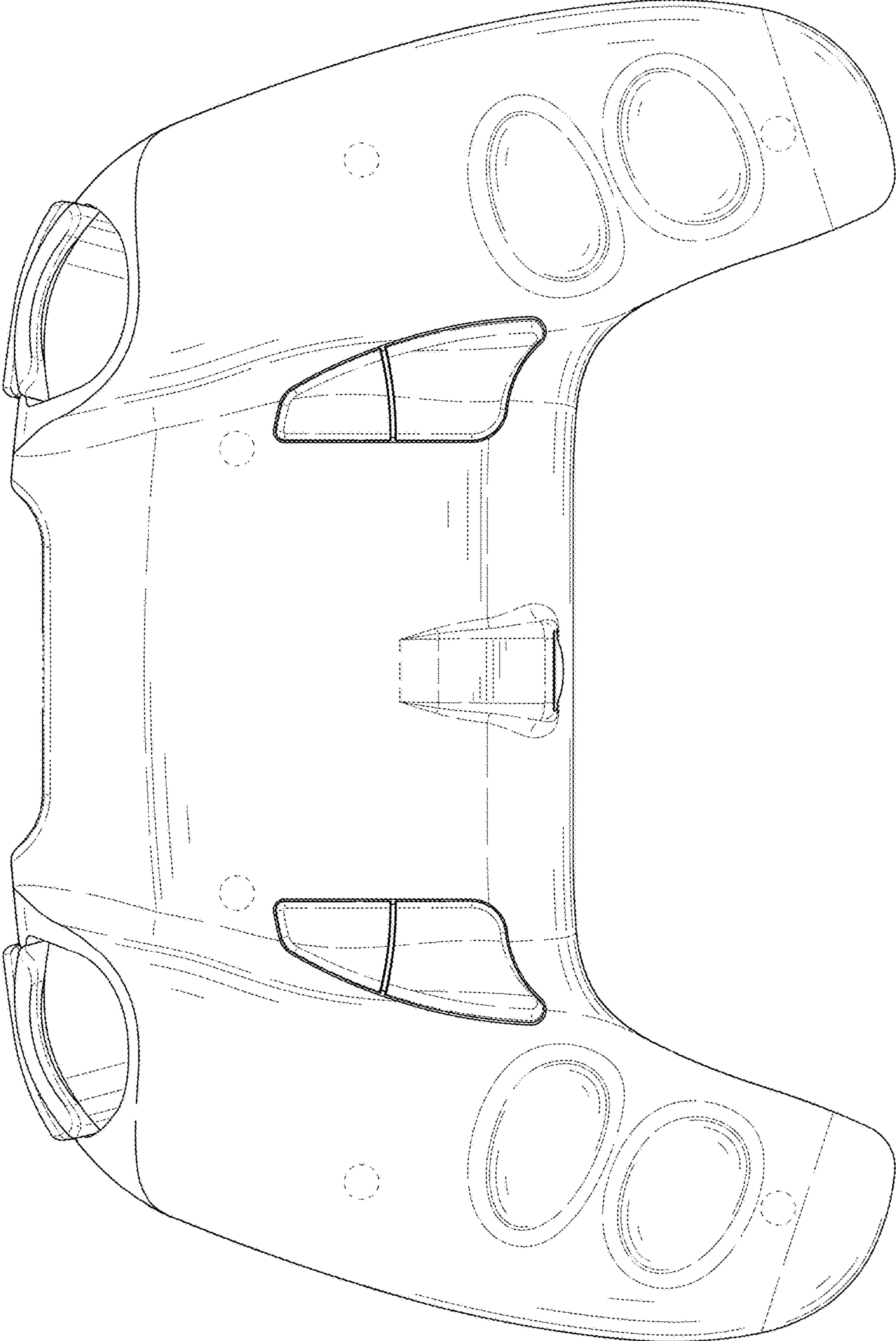


FIG. 4

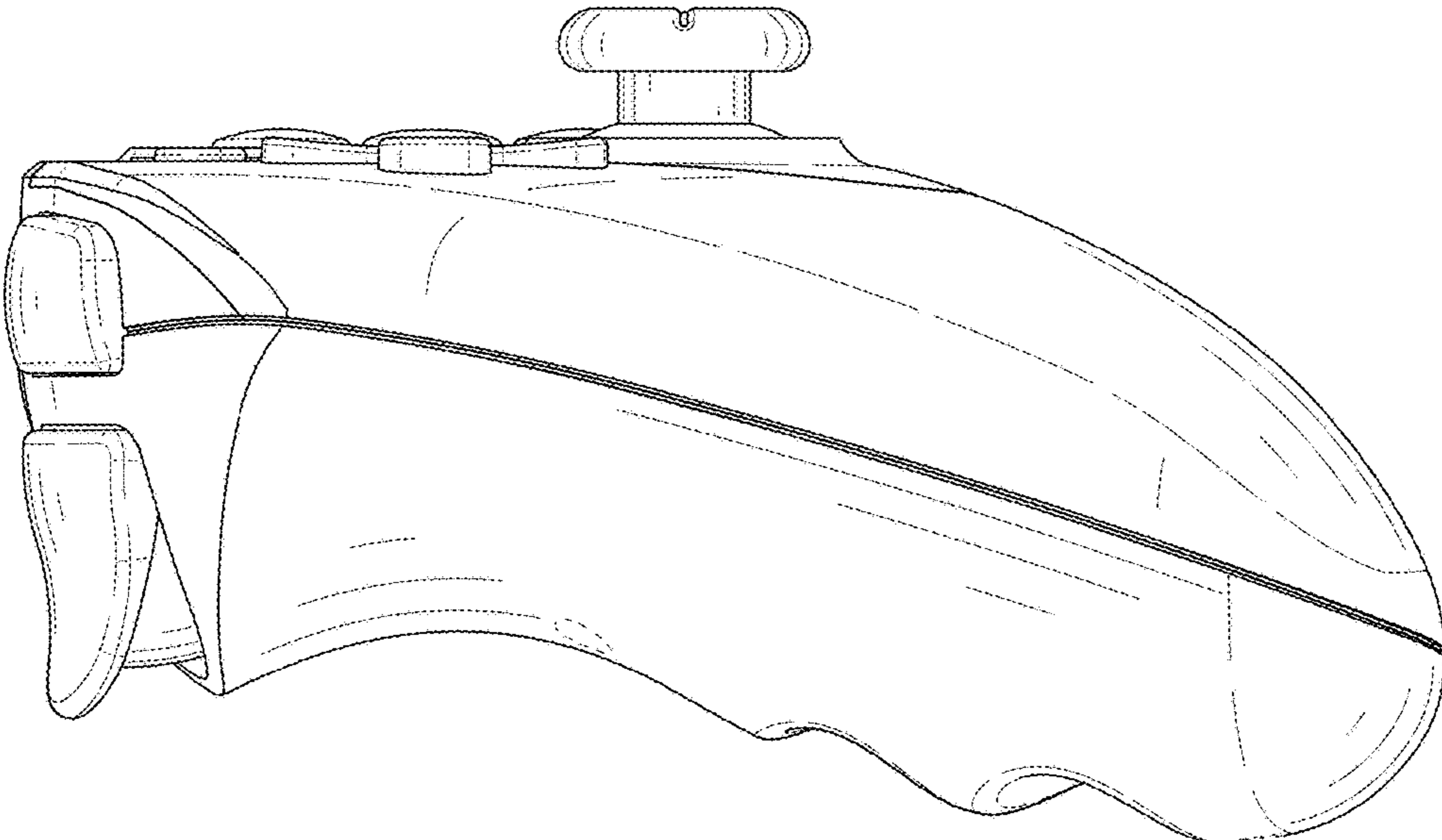


FIG. 5

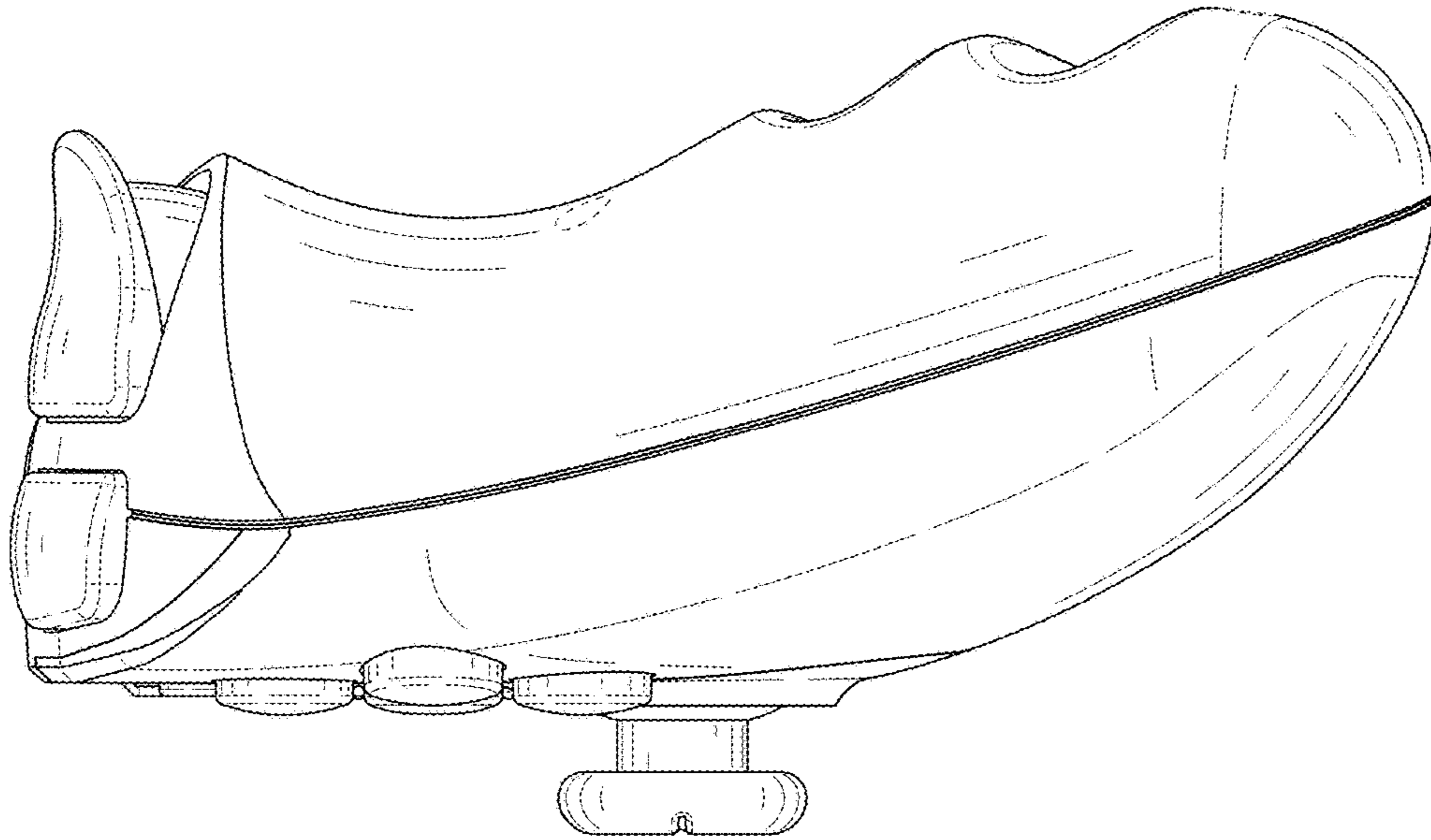


FIG. 6



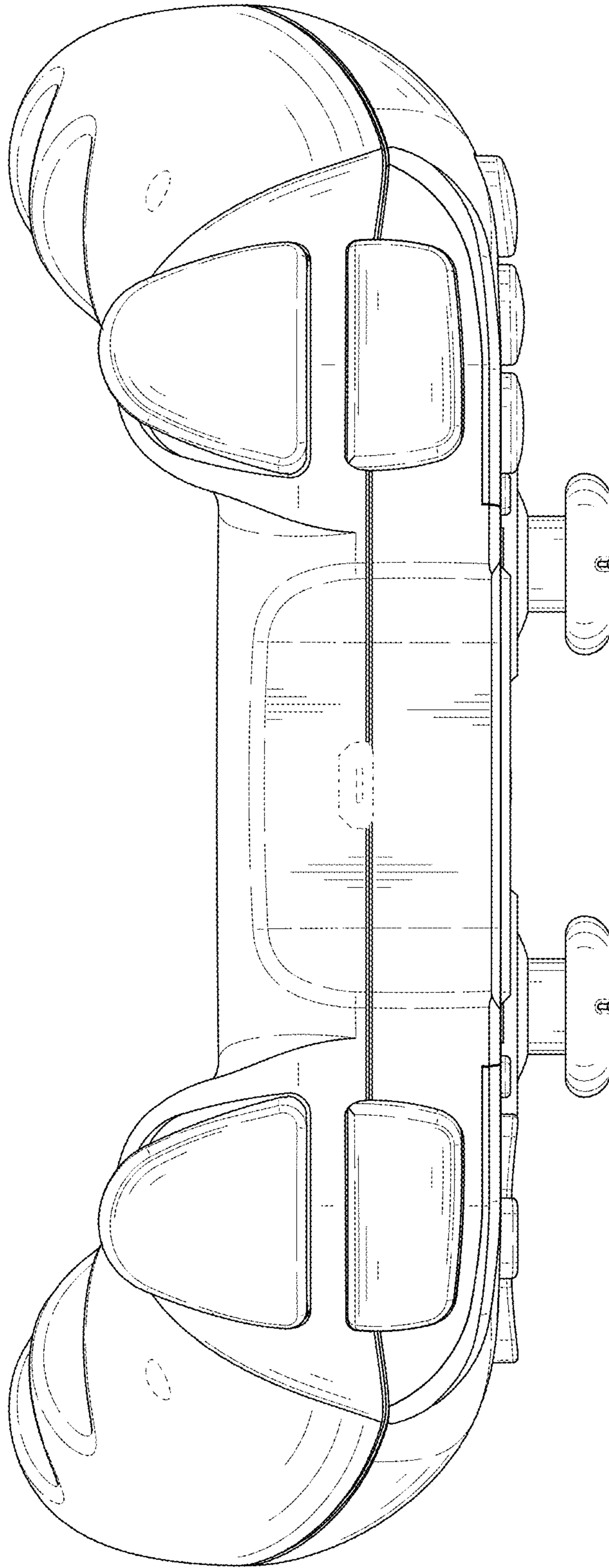


FIG. 7

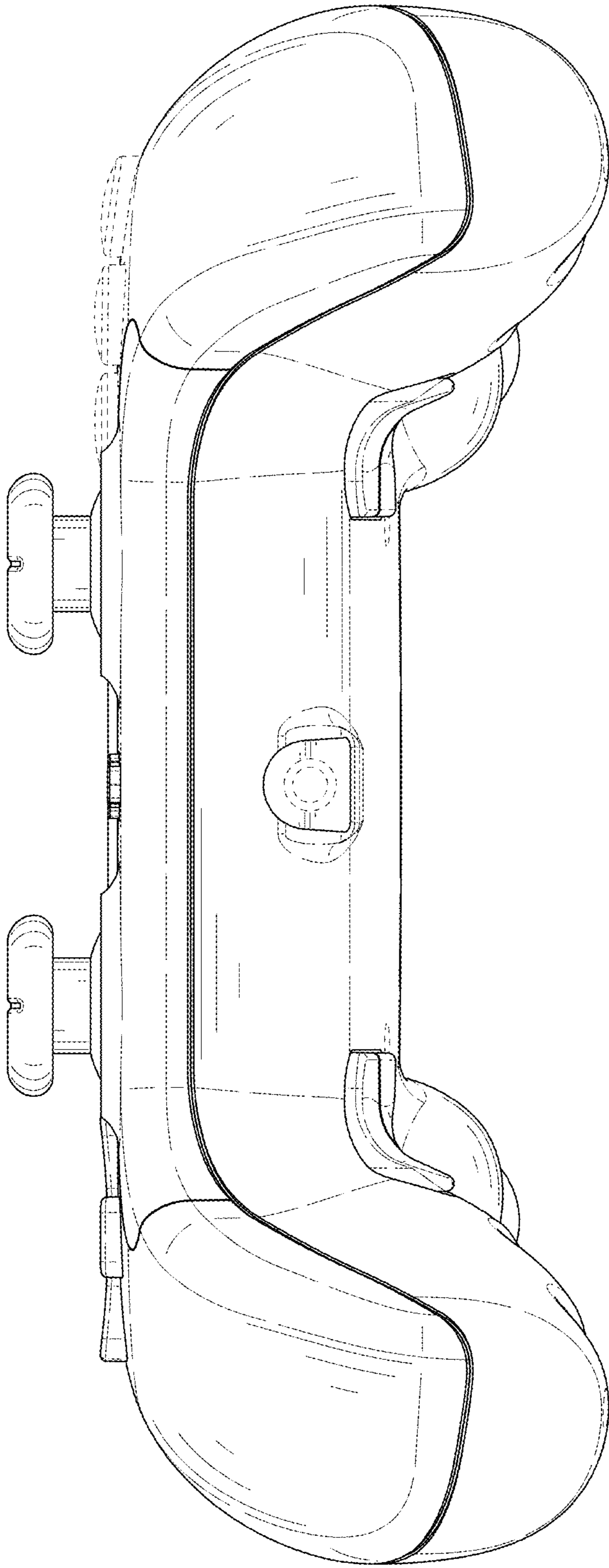


FIG. 8