



US00D961678S

(12) **United States Design Patent** (10) **Patent No.:** **US D961,678 S**
Zhao (45) **Date of Patent:** **** Aug. 23, 2022**

(54) **AUTOMATIC VENDING MACHINE**
(71) Applicant: **SHENZHEN HIVE BOX TECHNOLOGY CO., LTD.,**
Guangdong (CN)
(72) Inventor: **Zhichang Zhao,** Guangdong (CN)
(73) Assignee: **SHENZHEN HIVE BOX TECHNOLOGY CO., LTD.,** Shenzhen (CN)

D747,367 S * 1/2016 Stolarz D15/81
D876,490 S * 2/2020 Yu F25D 23/025
D15/79
D878,466 S * 3/2020 Frackowiak D20/8
D882,687 S * 4/2020 Wang D20/1
D893,559 S * 8/2020 Giulietti D15/81
D901,558 S * 11/2020 Kim F25D 25/025
D15/79
D903,729 S * 12/2020 Etgar D15/79
2010/0018233 A1 * 1/2010 Jafa A47F 3/0482
29/700
2017/0032607 A1 * 2/2017 Longman G07F 11/165
2019/0062038 A1 * 2/2019 Wilson A61J 7/0076

(**) Term: **15 Years**

* cited by examiner

(21) Appl. No.: **29/737,862**

Primary Examiner — Mary Ann Calabrese
Assistant Examiner — Catherine Ho

(22) Filed: **Jun. 12, 2020**

(51) **LOC (13) Cl.** **20-01**

(57) **CLAIM**

(52) **U.S. Cl.**
USPC **D20/1**

The ornamental design for an automatic vending machine, as shown and described.

(58) **Field of Classification Search**
USPC D20/1, 2, 3, 4, 5, 6, 8, 9; D14/302
CPC G07F 9/002; G07F 9/006; G07F 9/001;
G07F 9/00; G07F 11/007; G07F 11/04;
G07F 11/08; G07F 11/10; G07F 11/62
See application file for complete search history.

DESCRIPTION

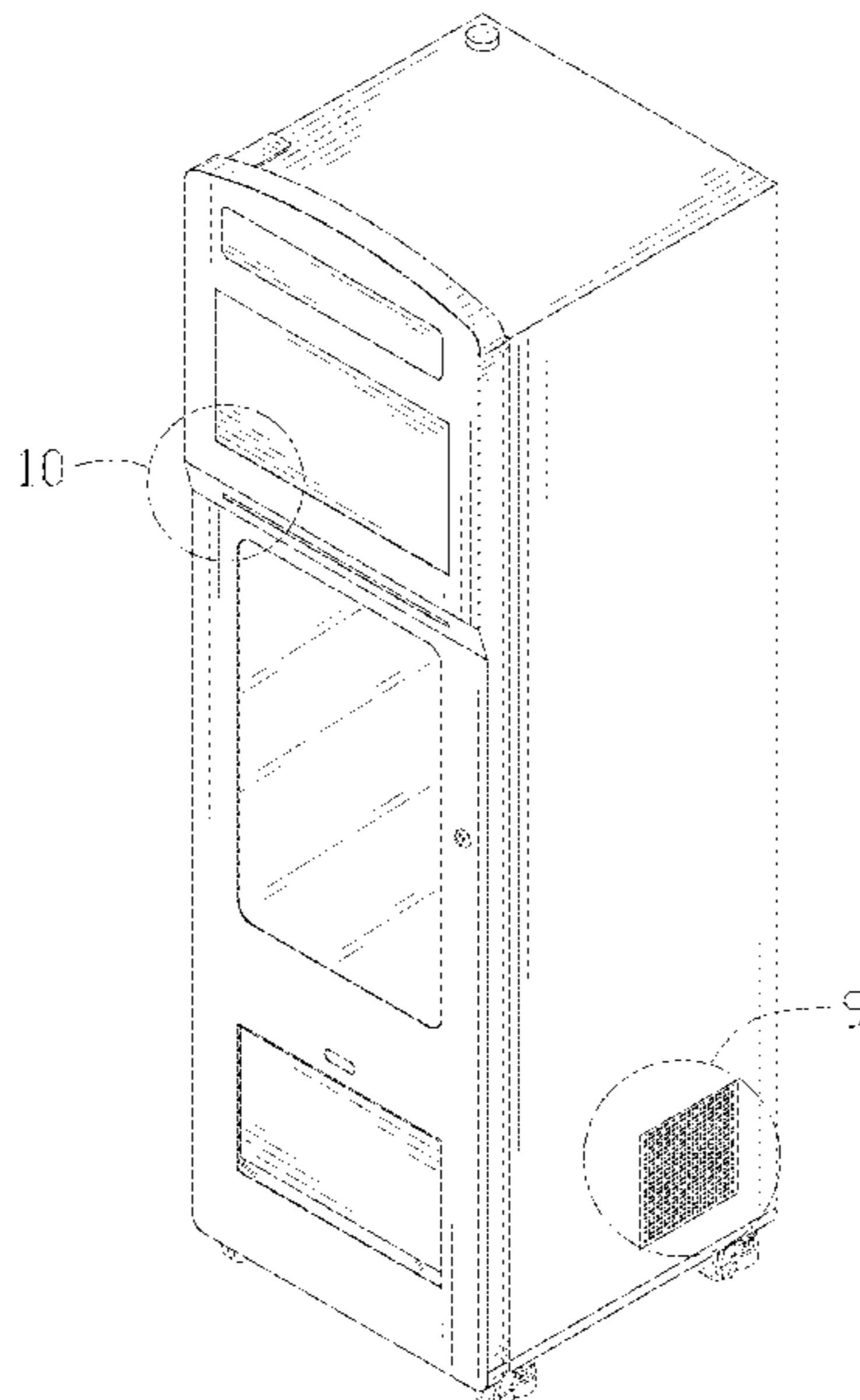
(56) **References Cited**

U.S. PATENT DOCUMENTS

D188,807 S * 9/1960 Hodgman D20/5
D203,697 S * 2/1966 Noyes D20/5
D206,399 S * 12/1966 Reichow D20/5
D225,600 S * 12/1972 Hill D99/28
D513,014 S * 12/2005 Seki D15/81
D663,359 S * 7/2012 Hallenbeck D20/1
D671,576 S * 11/2012 Jafa D15/91
D680,156 S * 4/2013 Hernandez D99/28
D685,155 S * 6/2013 Budde D99/28
D692,467 S * 10/2013 Brenneis D15/81
D693,379 S * 11/2013 Brenneis D15/81
D724,887 S * 3/2015 Lee D7/347

FIG. 1 is a top, front and right side perspective view of an automatic vending machine showing my new design; FIG. 2 is a top, rear and left side perspective view thereof; FIG. 3 is a front elevational view thereof; FIG. 4 is a rear elevational view thereof; FIG. 5 is a left side view thereof; FIG. 6 is a right side view thereof; FIG. 7 is a top plan view thereof; FIG. 8 is a bottom plan view thereof; FIG. 9 is an enlarged view of portion 9 in FIG. 1; FIG. 10 is an enlarged view of portion 10 in FIG. 1; FIG. 11 is an enlarged view of portion 11 in FIG. 2; and, FIG. 12 is an enlarged view of portion 12 in FIG. 4. The broken lines in the drawings illustrate portions of the automatic vending machine which form no part of the claimed design.

1 Claim, 12 Drawing Sheets



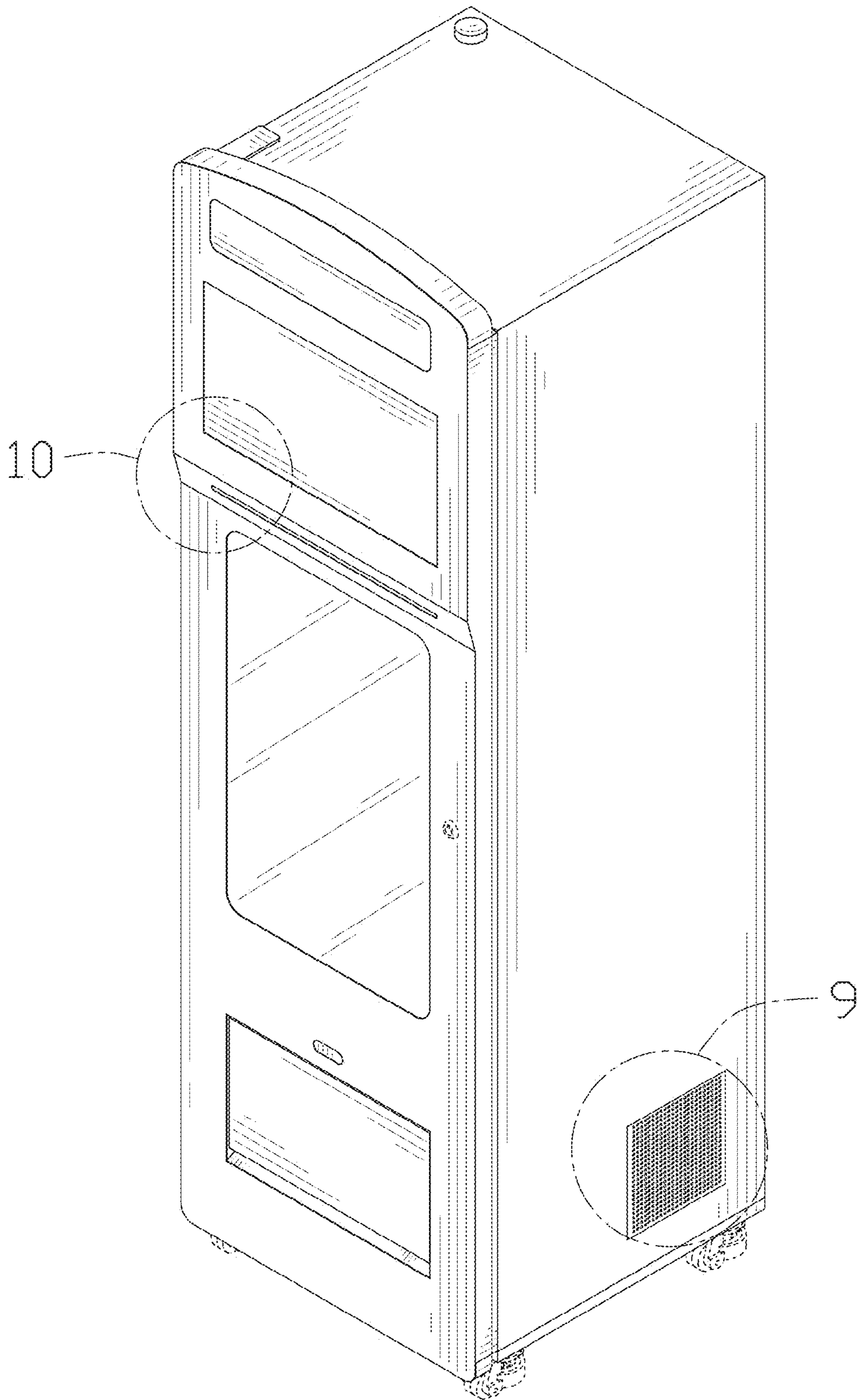


FIG. 1

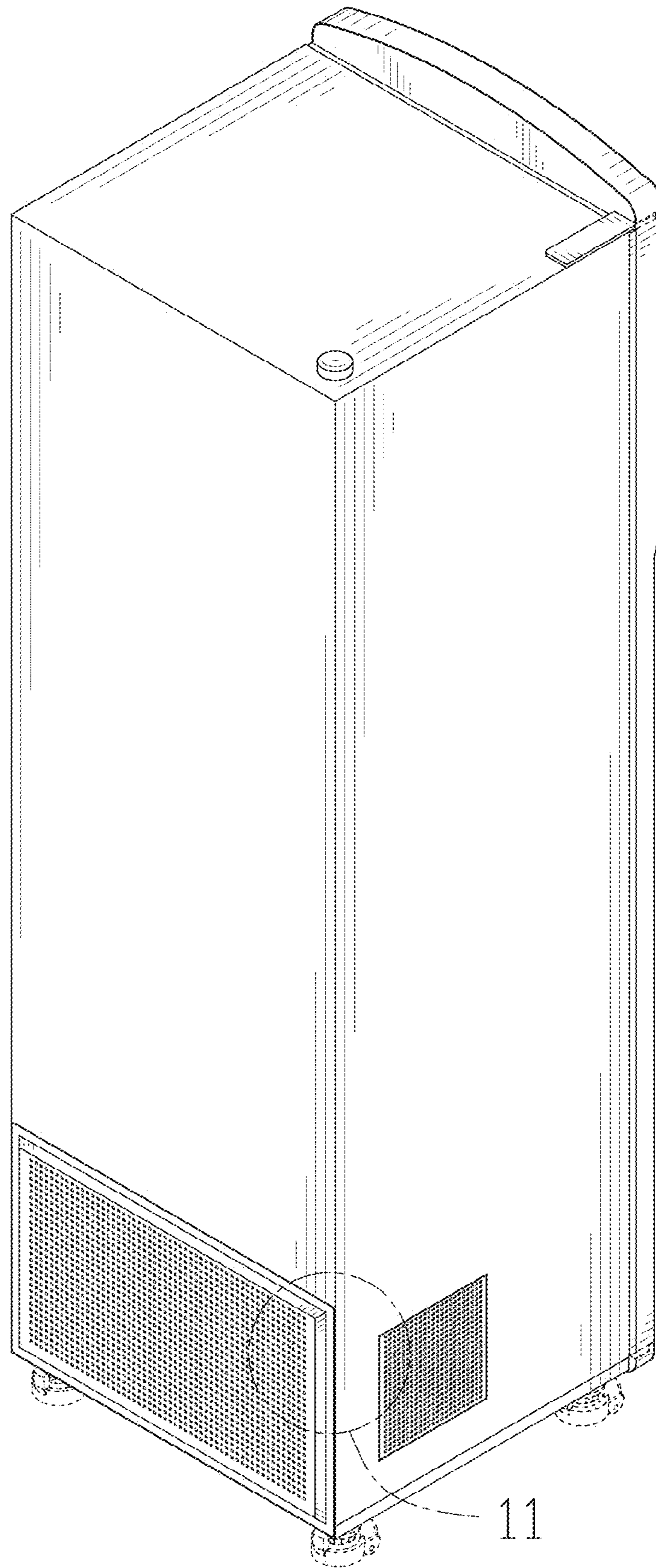


FIG. 2

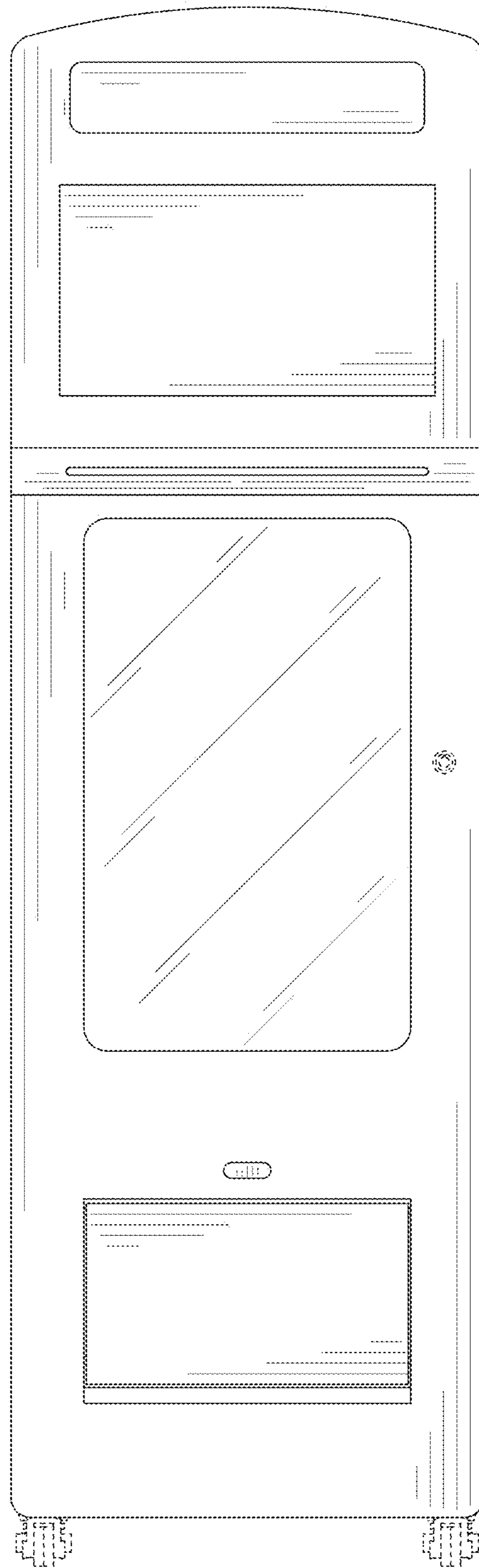


FIG. 3

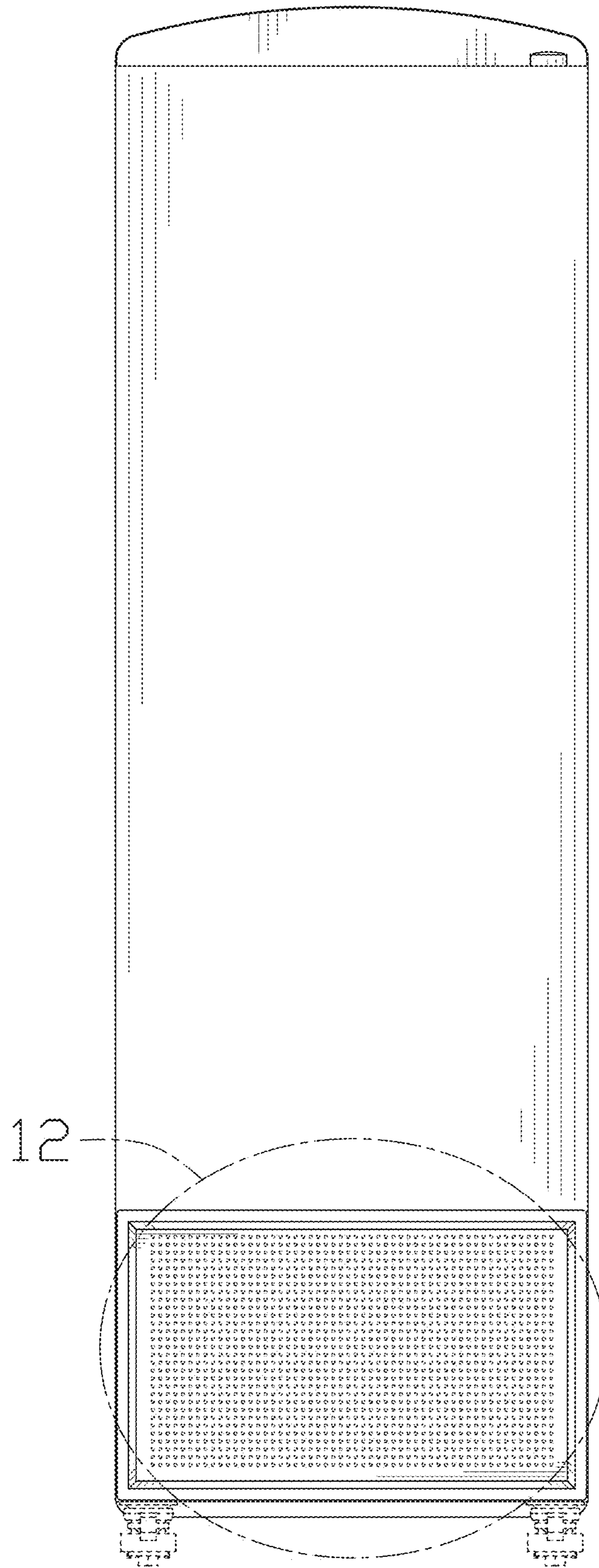


FIG. 4

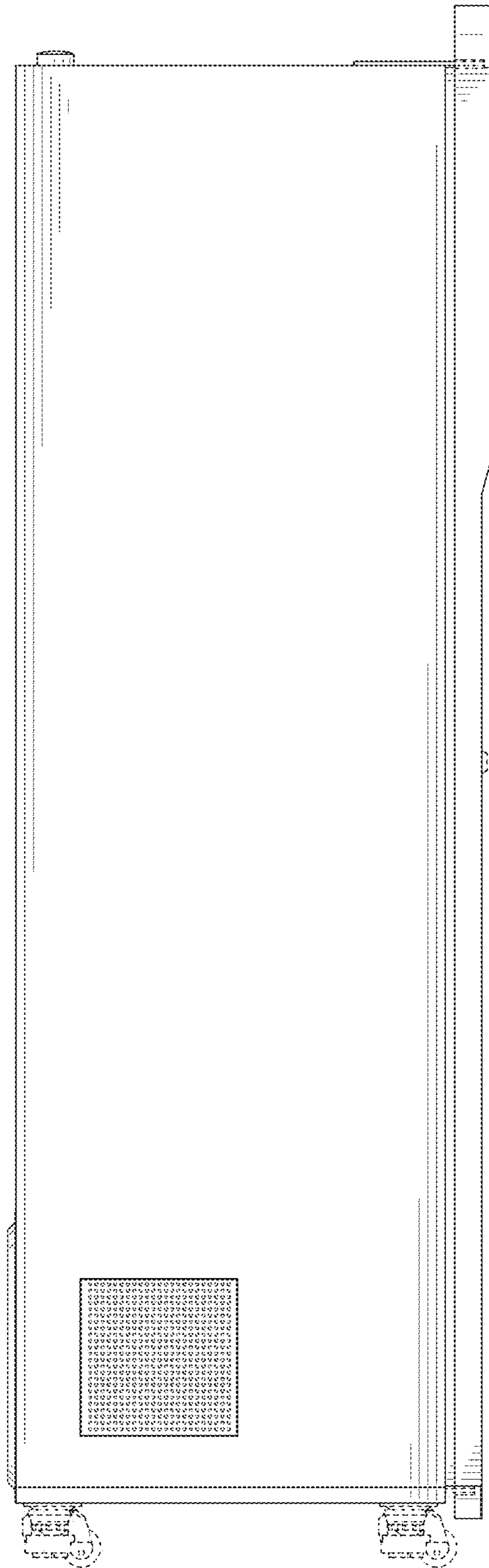


FIG. 5

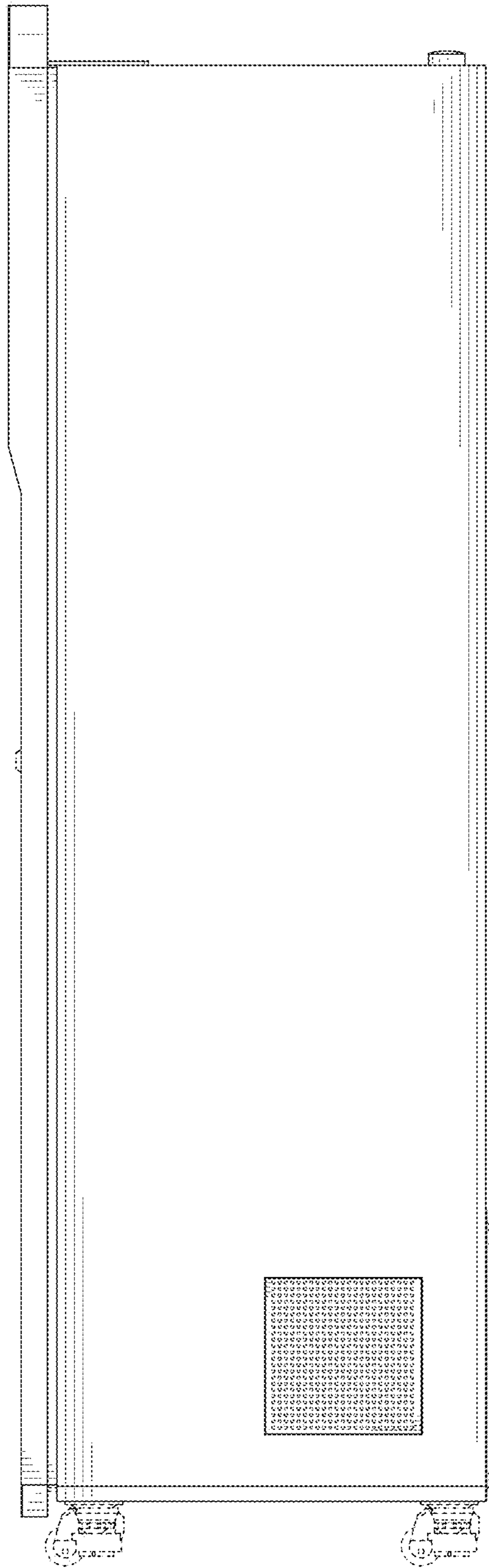


FIG. 6

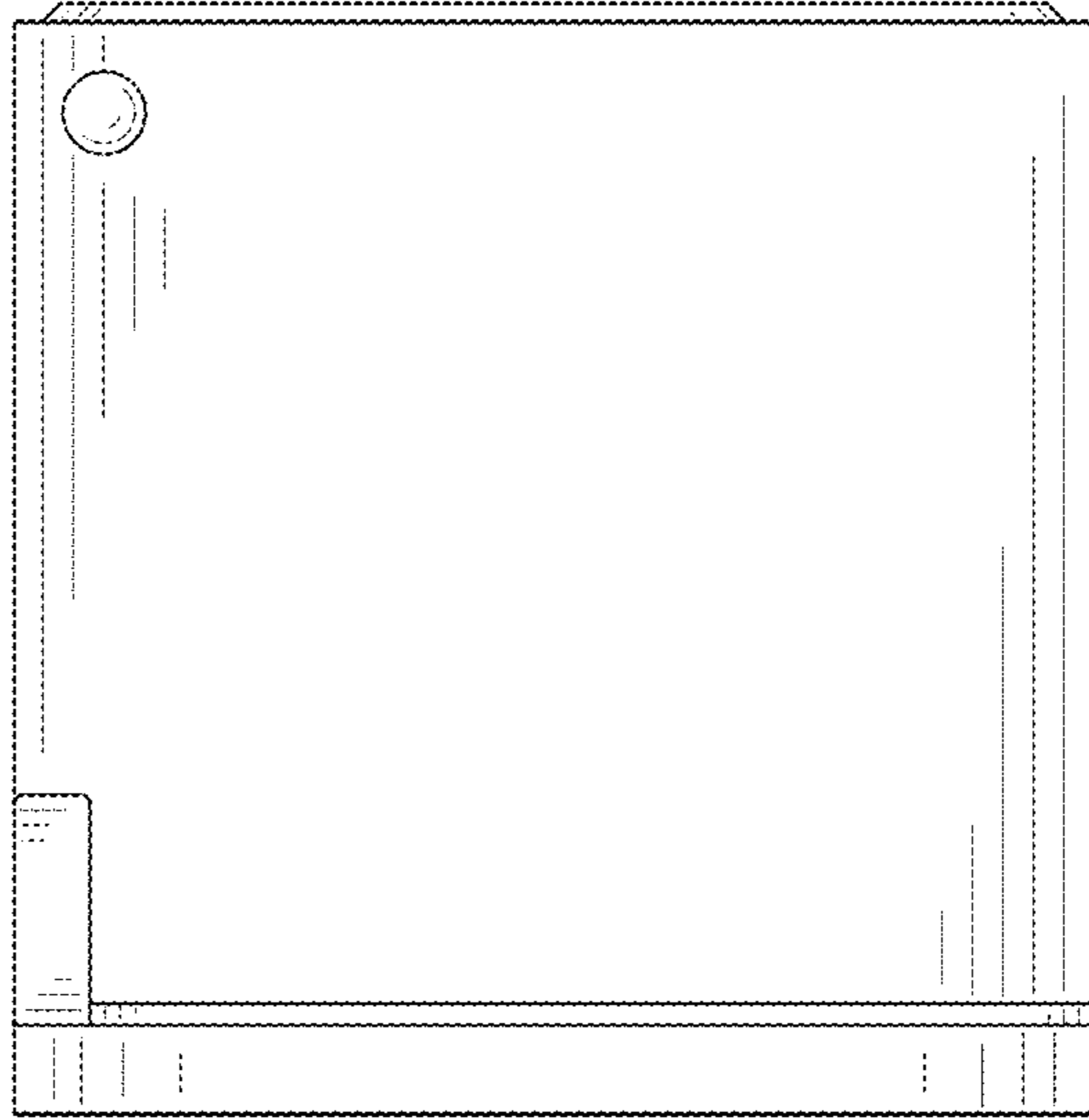


FIG. 7

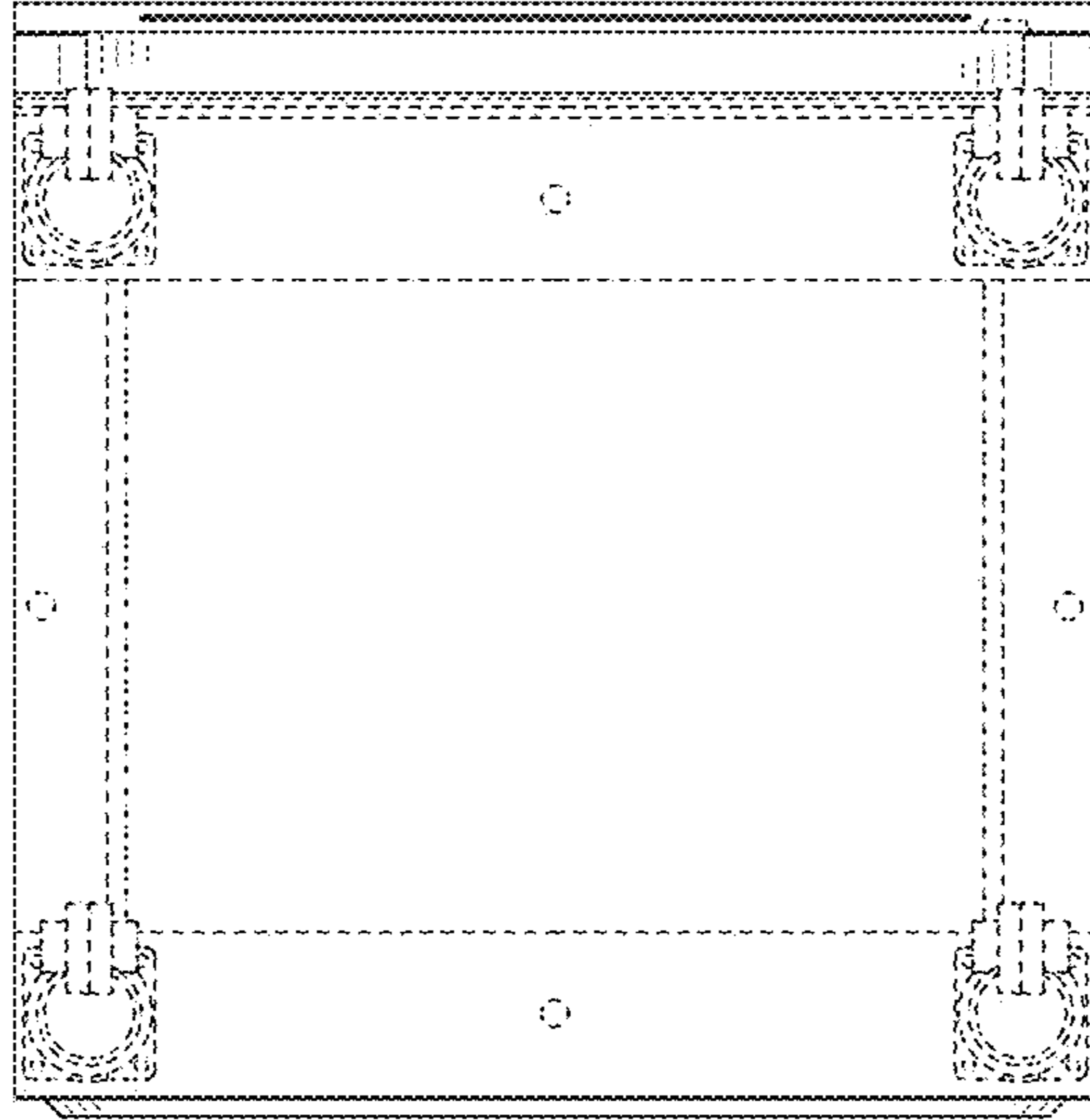


FIG. 8

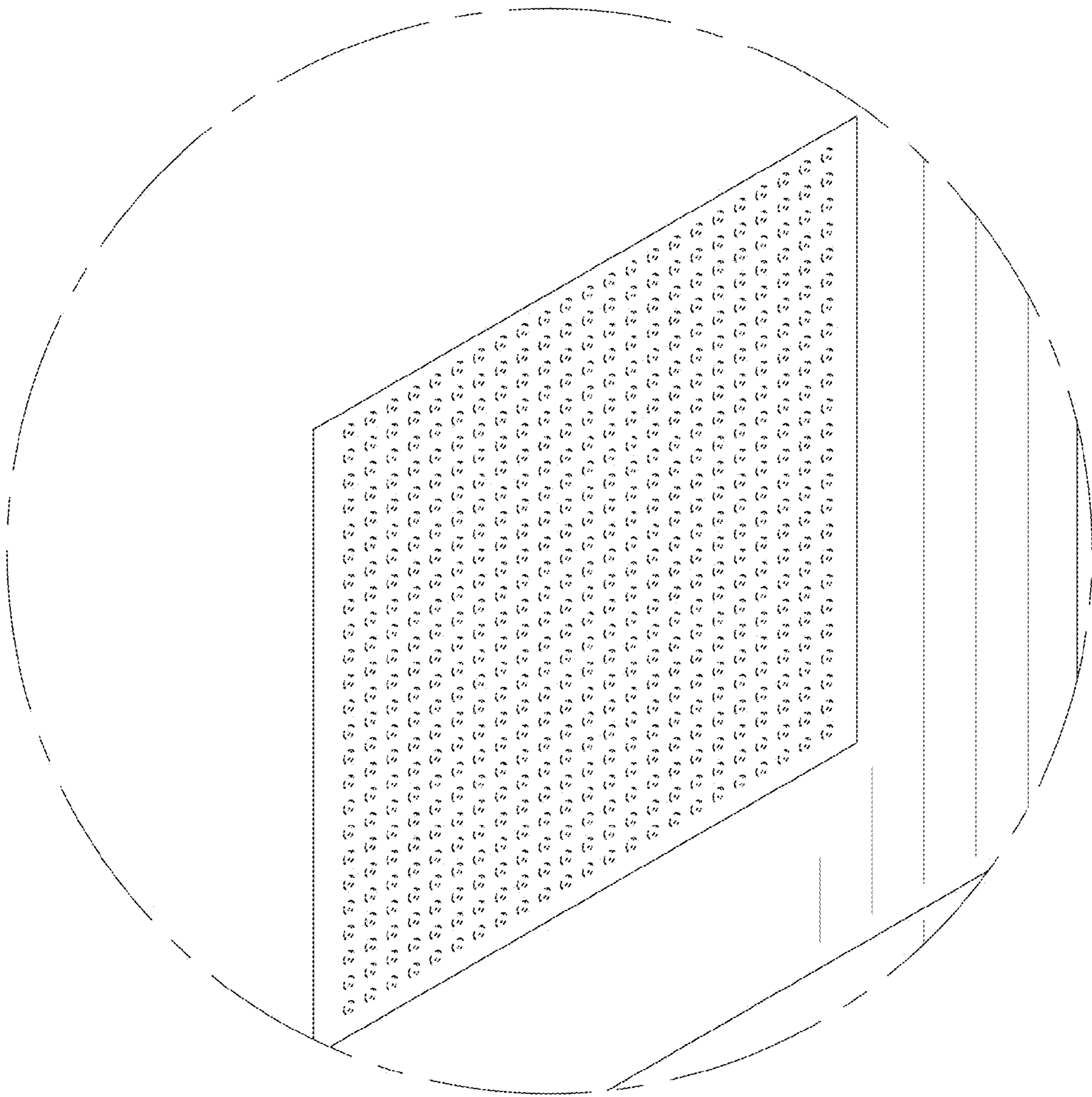


FIG. 9

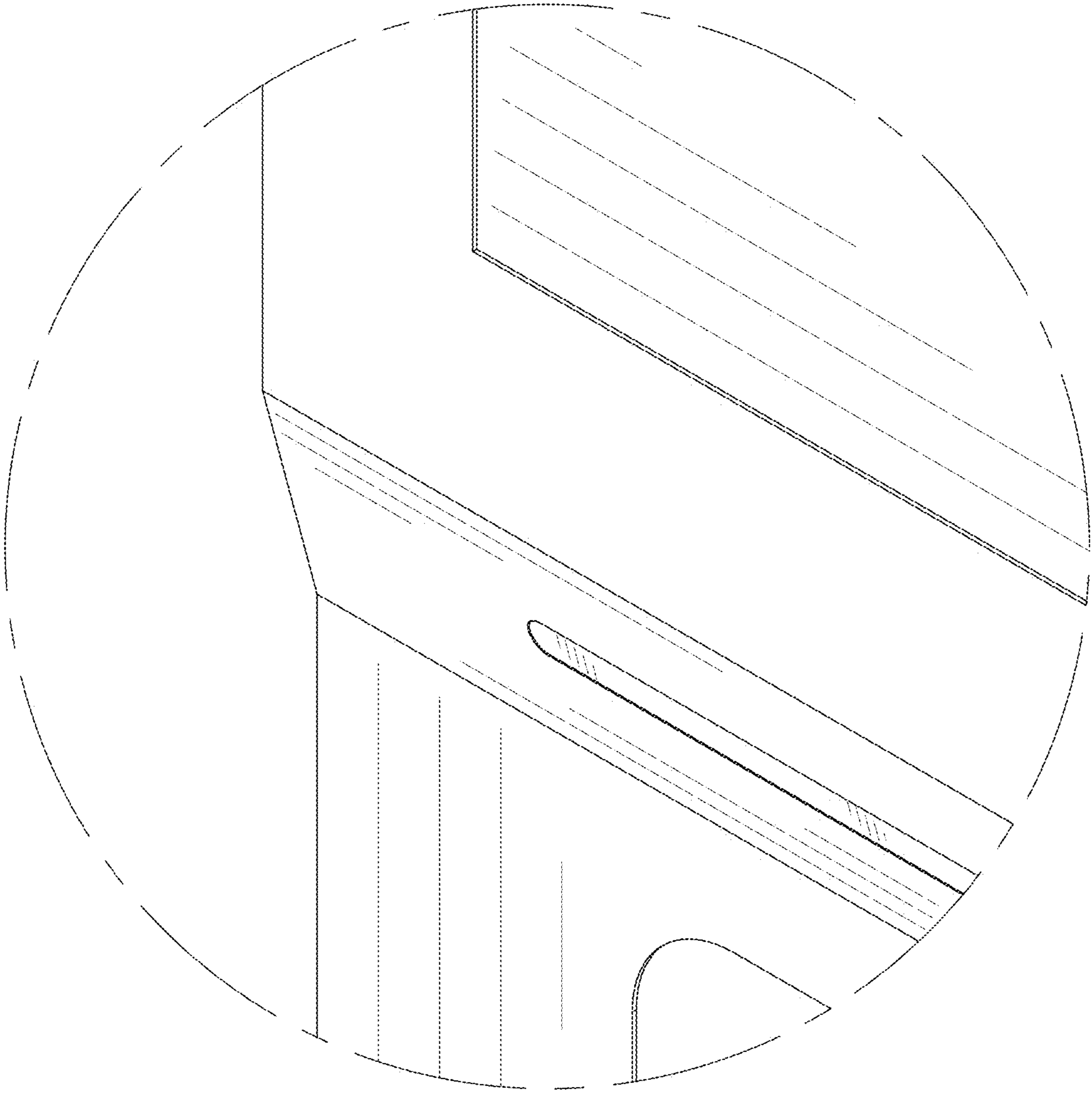


FIG. 10

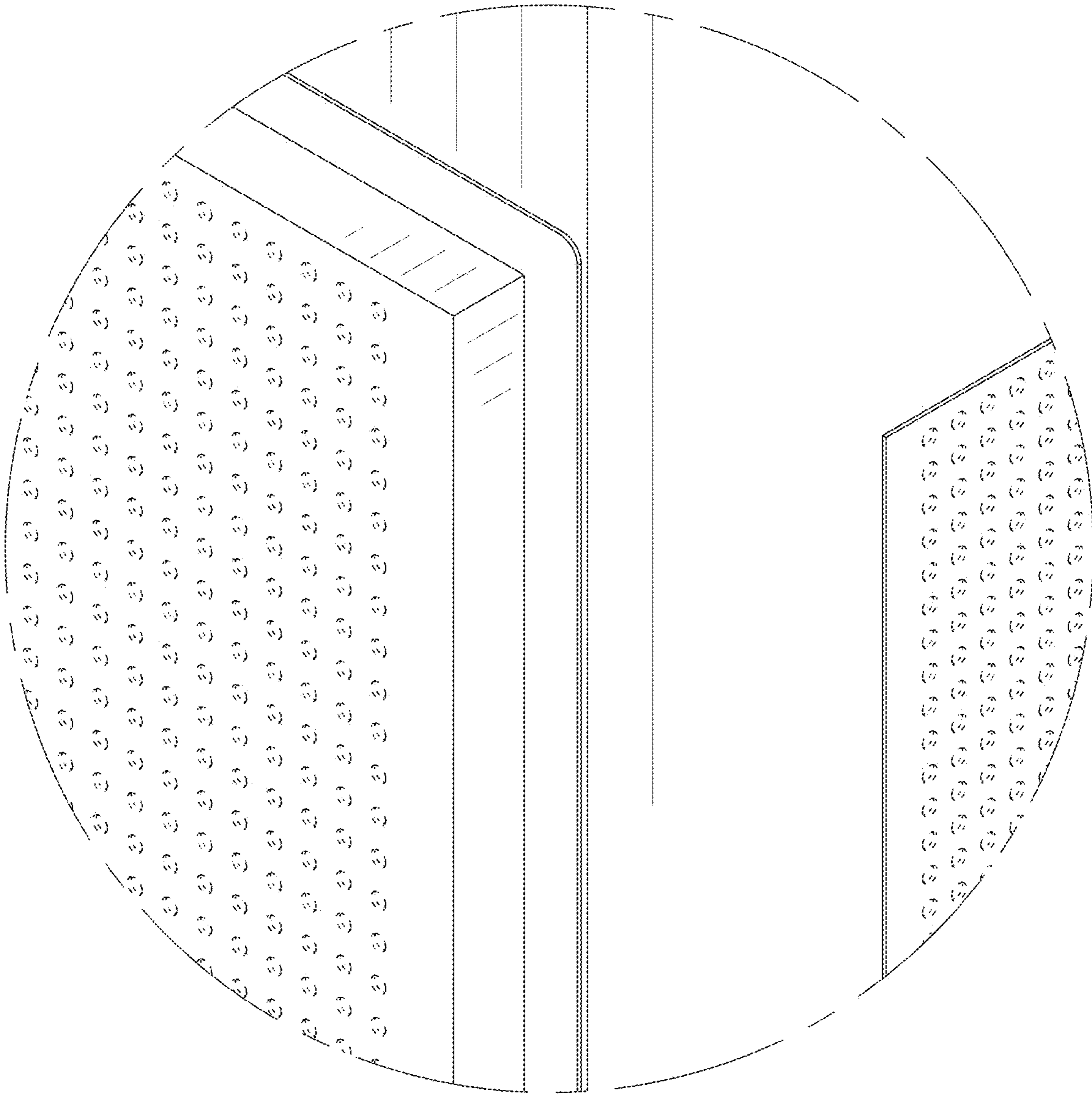


FIG. 11

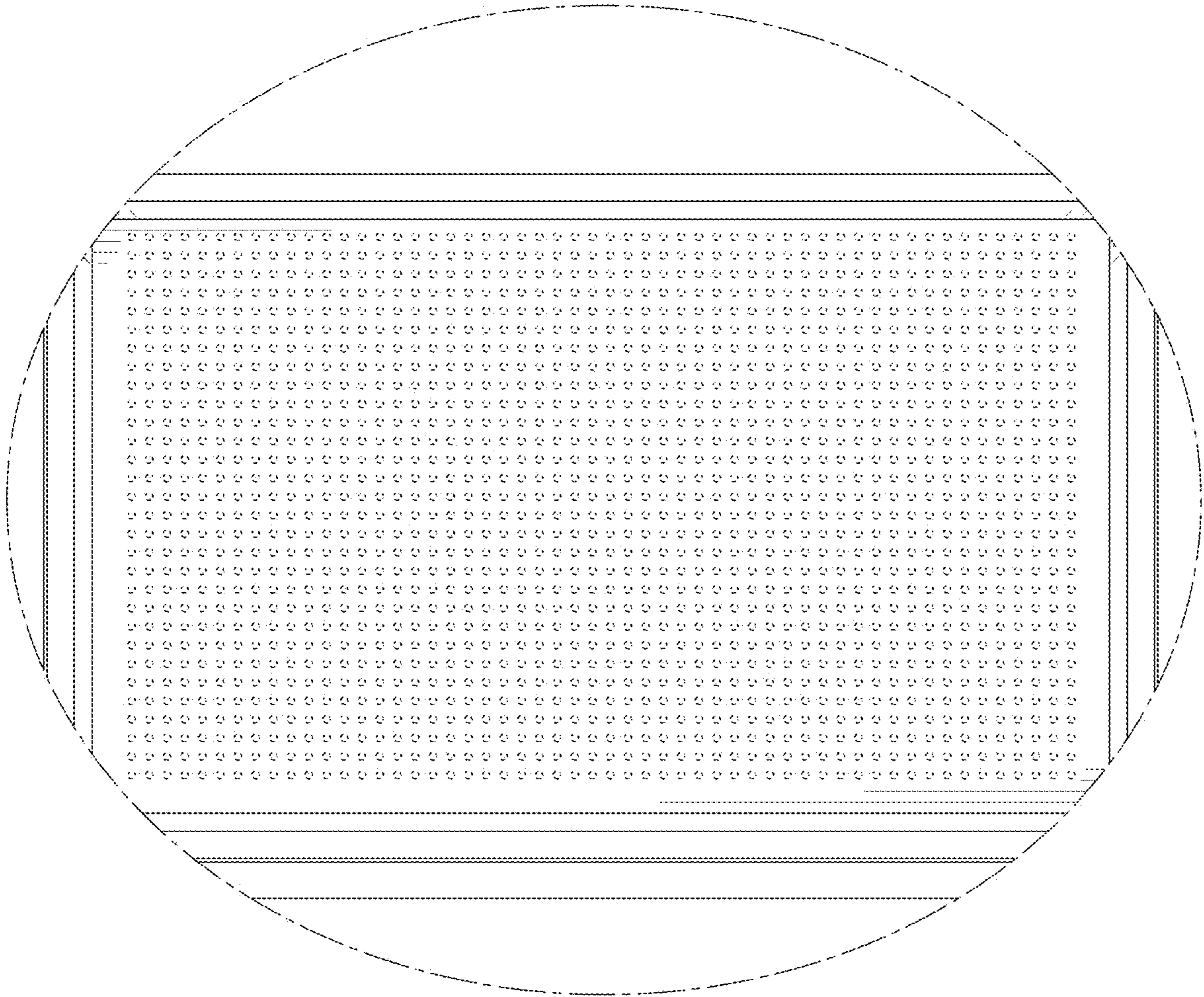


FIG. 12