



US00D961672S

(12) **United States Design Patent** (10) **Patent No.:** **US D961,672 S**
Martin et al. (45) **Date of Patent:** **** Aug. 23, 2022**

(54) **HANDHELD PRINTER**

FOREIGN PATENT DOCUMENTS

(71) Applicant: **Hewlett-Packard Development Company, L.P.**, Spring, TX (US)

CN 304817348 * 9/2018
CN 305596908 * 2/2020
WO WO-2021065479 A1 * 4/2021 B65H 19/12

(72) Inventors: **Chad Quinten Martin**, San Diego, CA (US); **Bart Masee**, Vancouver, WA (US); **Malin Leschly**, Portola Valley, CA (US); **Steve Takayama**, Portola Valley, CA (US); **Branko Lukic**, Portola Valley, CA (US); **Kevin Kilpatrick**, Portola Valley, CA (US); **Suguru Ogata**, Portola Valley, CA (US)

OTHER PUBLICATIONS

YouTube Link: <https://www.youtube.com/watch?v=sn2GZTVVKUc>. Oct. 6, 2014. Polaroid Cube—Full Review with Sample Clips. (Year: 2014).*

(Continued)

(73) Assignee: **Hewlett-Packard Development Company, L.P.**, Spring, TX (US)

Primary Examiner — Lauren D McVey

(74) *Attorney, Agent, or Firm* — Dicke Billig & Czaja PLLC

(**) Term: **15 Years**

(57) **CLAIM**

(21) Appl. No.: **29/777,772**

The ornamental design for a handheld printer, as shown and described.

(22) Filed: **Apr. 8, 2021**

(51) **LOC (13) Cl.** **18-99**

(52) **U.S. Cl.**
USPC **D18/19**

(58) **Field of Classification Search**
USPC D18/14, 15, 16, 17, 18, 19, 36, 37, 38, D18/39, 40, 41, 45, 54, 55, 50, 53, 43, D18/56; D19/65, 66, 67, 68, 69, 70, 71; D14/301, 307, 121
CPC H04N 1/00204; H04N 1/00249; H04N 1/00278; G06K 15/12; G06K 15/14; B41J 3/00; B41J 3/28; B41J 3/445; B41J 3/46; B41J 11/0045; B41J 2/3358
See application file for complete search history.

DESCRIPTION

FIG. 1 is a top, front, right-side perspective view of a handheld printer, showing our new design;
FIG. 2 is a bottom, rear, right-side perspective view thereof;
FIG. 3 is a front view thereof;
FIG. 4 is a rear view thereof;
FIG. 5 is a right-side view thereof;
FIG. 6 is a left-side view thereof;
FIG. 7 is a top view thereof;
FIG. 8 is a bottom view thereof; and,
FIG. 9 is another top, front, right-side perspective view thereof, shown in an environment of use.
The broken lines immediately adjacent to the shaded areas depict the bounds of the claimed design, while all other broken lines are directed to environment. The broken lines form no part of the claimed design.
The black surface shading in FIGS. 1-4 and 7-9 is used to represent the color black or color contrast.

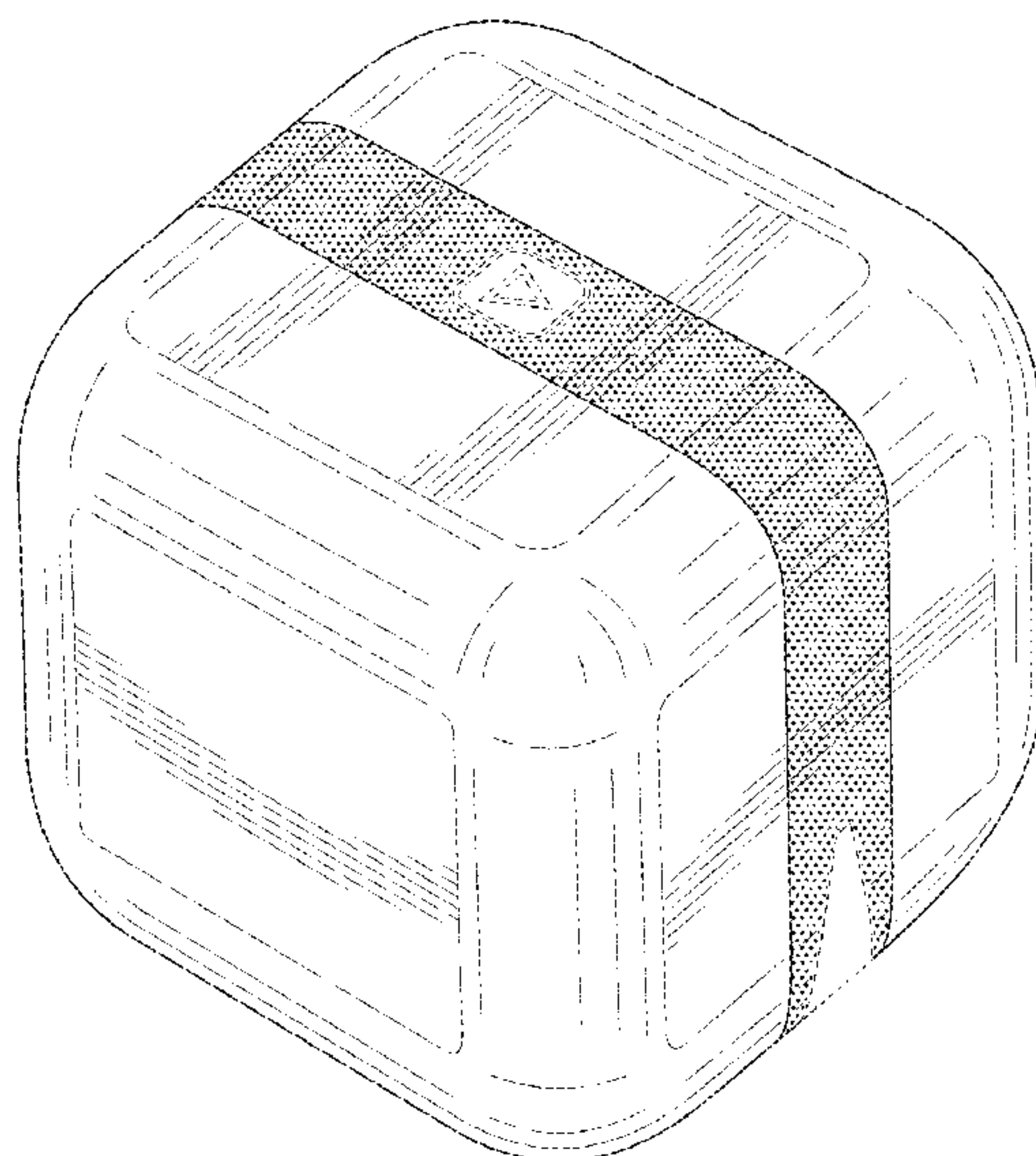
(56) **References Cited**

U.S. PATENT DOCUMENTS

D241,626 S * 9/1976 Durco, Jr. D10/15
7,784,933 B2 8/2010 Noe

(Continued)

1 Claim, 9 Drawing Sheets



(56)

References Cited

U.S. PATENT DOCUMENTS

D658,227 S * 4/2012 Schoenert D18/19
 D685,413 S * 7/2013 Jihoon D18/50
 D740,881 S * 10/2015 So D18/50
 D741,946 S * 10/2015 So D18/50
 D751,141 S * 3/2016 Minamide D18/50
 D785,085 S * 4/2017 Lee D18/55
 D788,843 S * 6/2017 Lee D18/55
 D799,588 S * 10/2017 Nanno D18/19
 D829,277 S * 9/2018 Seki D18/50
 D892,922 S * 8/2020 Naruhn D18/50
 D900,923 S * 11/2020 Tashima D18/19
 D931,364 S * 9/2021 Sun D18/19
 D946,650 S * 3/2022 Yang D18/19
 2007/0147930 A1 6/2007 Nishath
 2007/0223982 A1 9/2007 Miller

OTHER PUBLICATIONS

Amazon. Link: https://www.amazon.com/Phomemo-M02D-Portable-Pocket-Printer/dp/B098XHJ1M3/ref=sr_1_1?crid=11YOI2S2XVQC1&keywords=B098XHJ1M3&qid=1643230211&s=electronics&prefix=b098xhj1m3%2Celectronics%2C72&sr=1-1. Jul. 8, 2021. Phomemo M02D Portable Pocket Printer. (Year: 2021).*

Amazon. Link: https://www.amazon.com/Phomemo-Mini-Printer-Sticker-Maker/dp/B09BFMZ7FT/ref=sr_1_1?crid=2IH9WZ19CCI7O&keywords=B09BFMZ7FT&qid=1643230411&s=electronics&prefix=b09bfmz7ft%2Celectronics%2C69&sr=1-1. Jul. 29, 2021. Phomemo Mini Printer Sticker Maker. (Year: 2021).*

YouTube. Link: <https://www.youtube.com/watch?v=z-Y6cbxcNC4>. Jul. 12, 2021. PrintMaker by We R Memory Keepers: Product Overview with Aly Dosdall. (Year: 2021).*

* cited by examiner

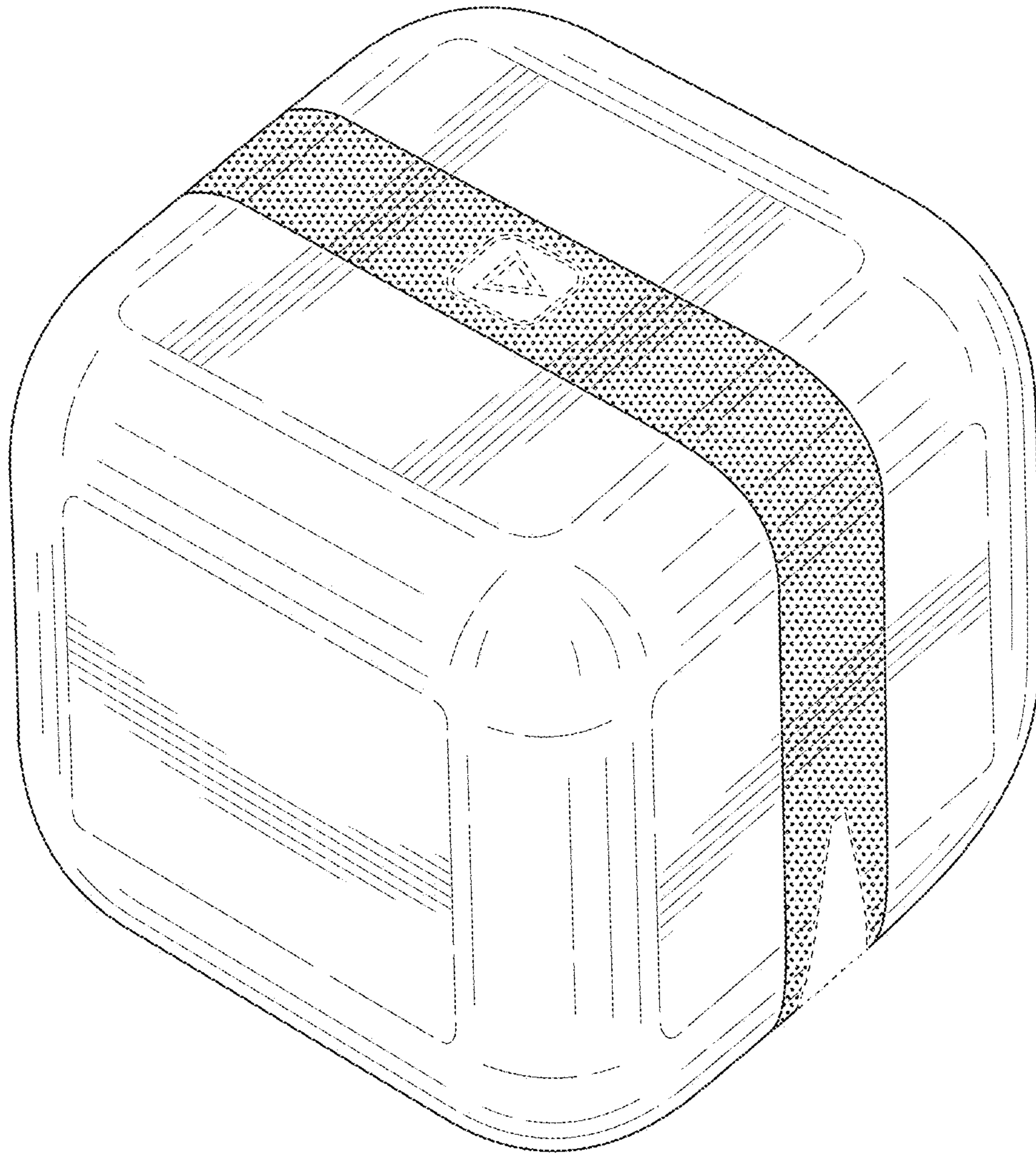


FIG. 1

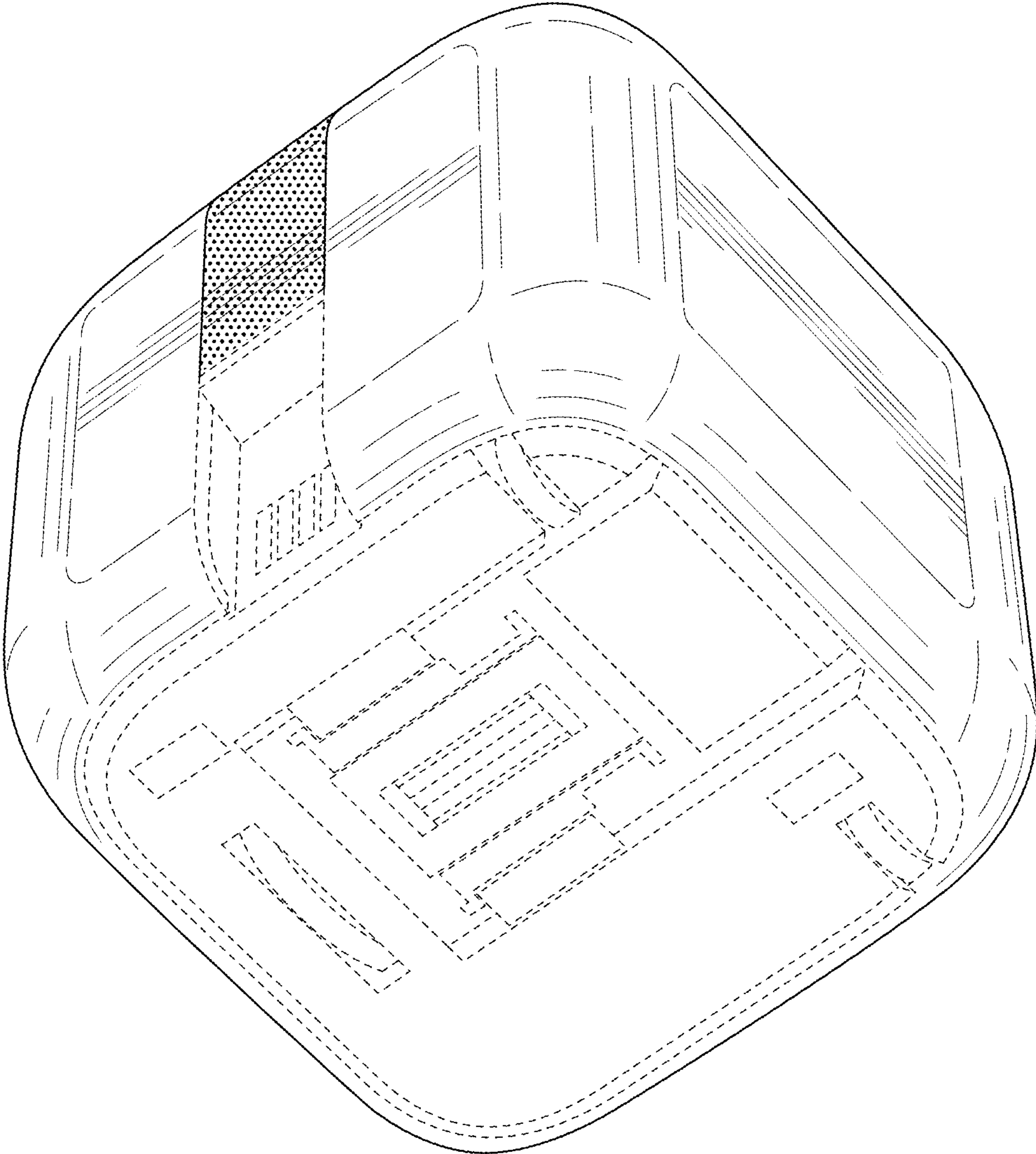


FIG. 2

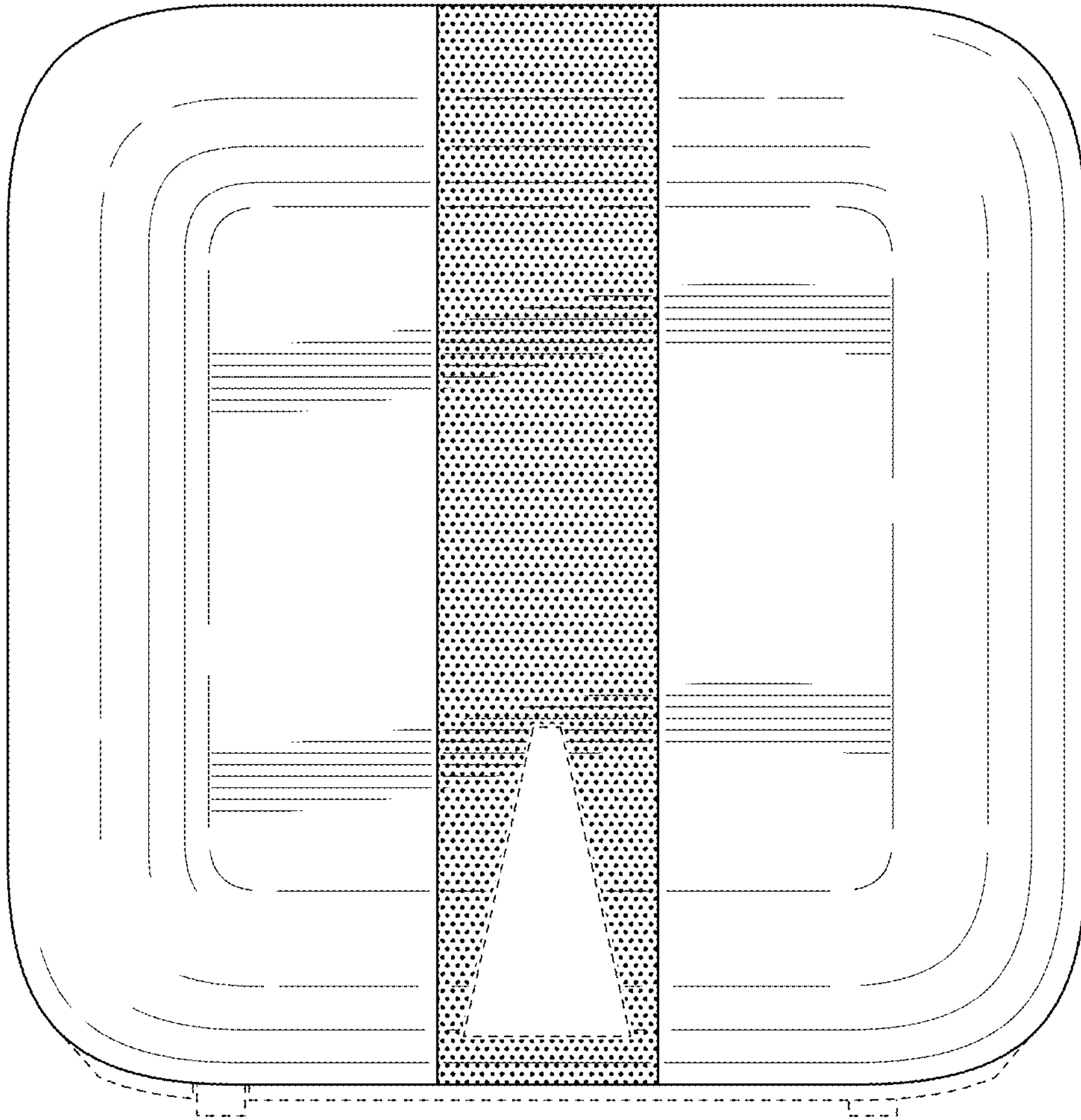


FIG. 3

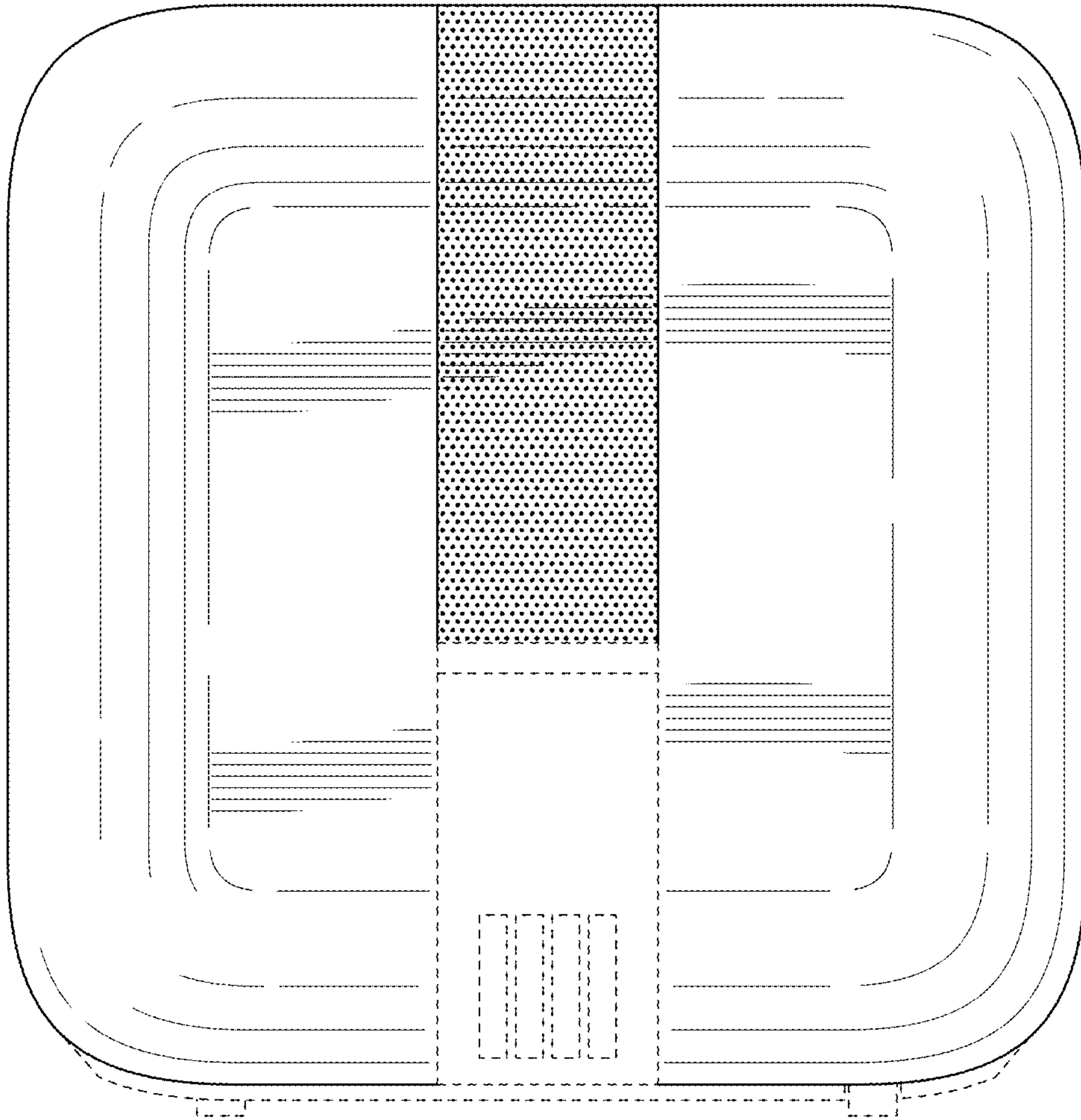


FIG. 4

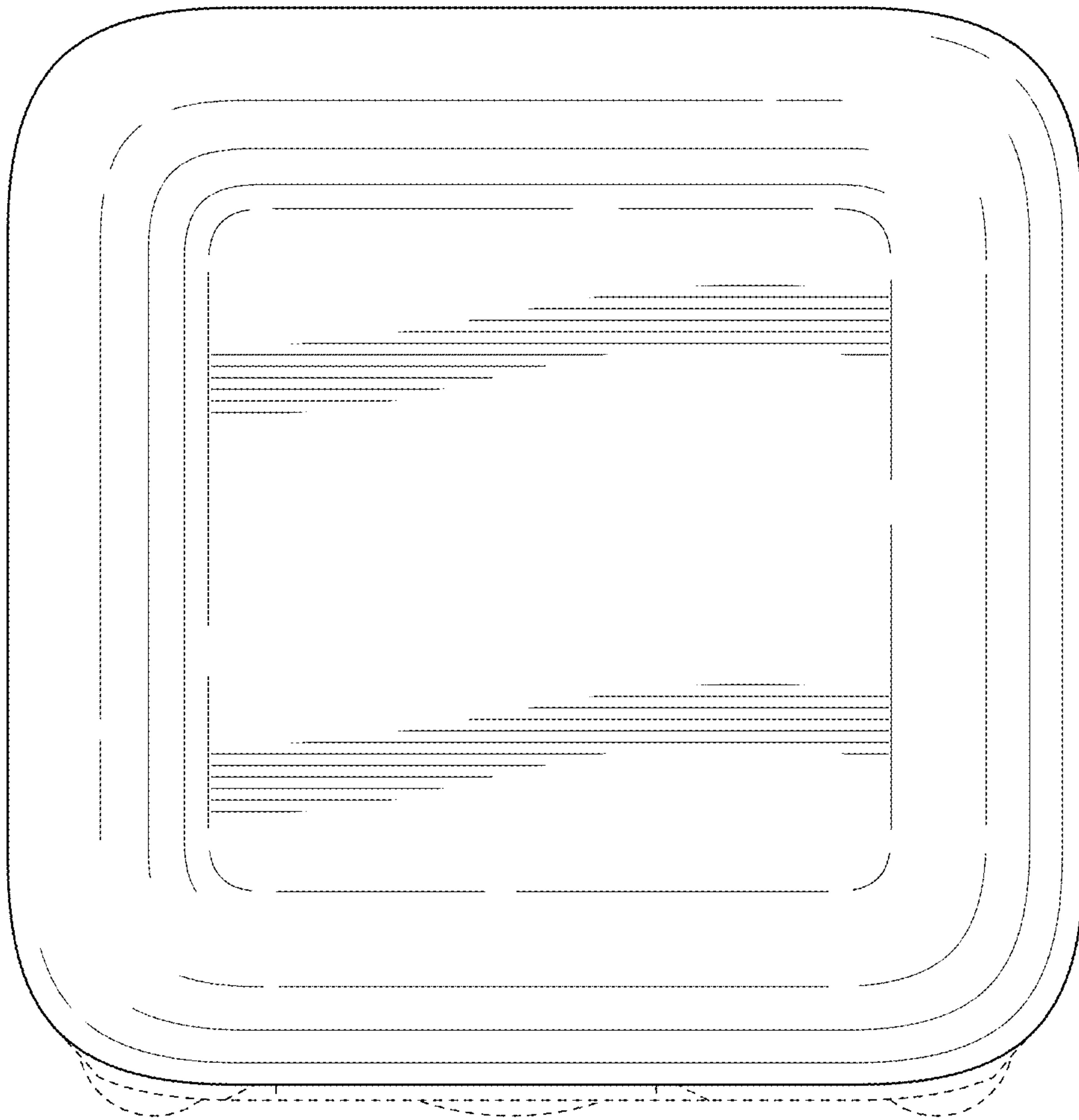


FIG. 5

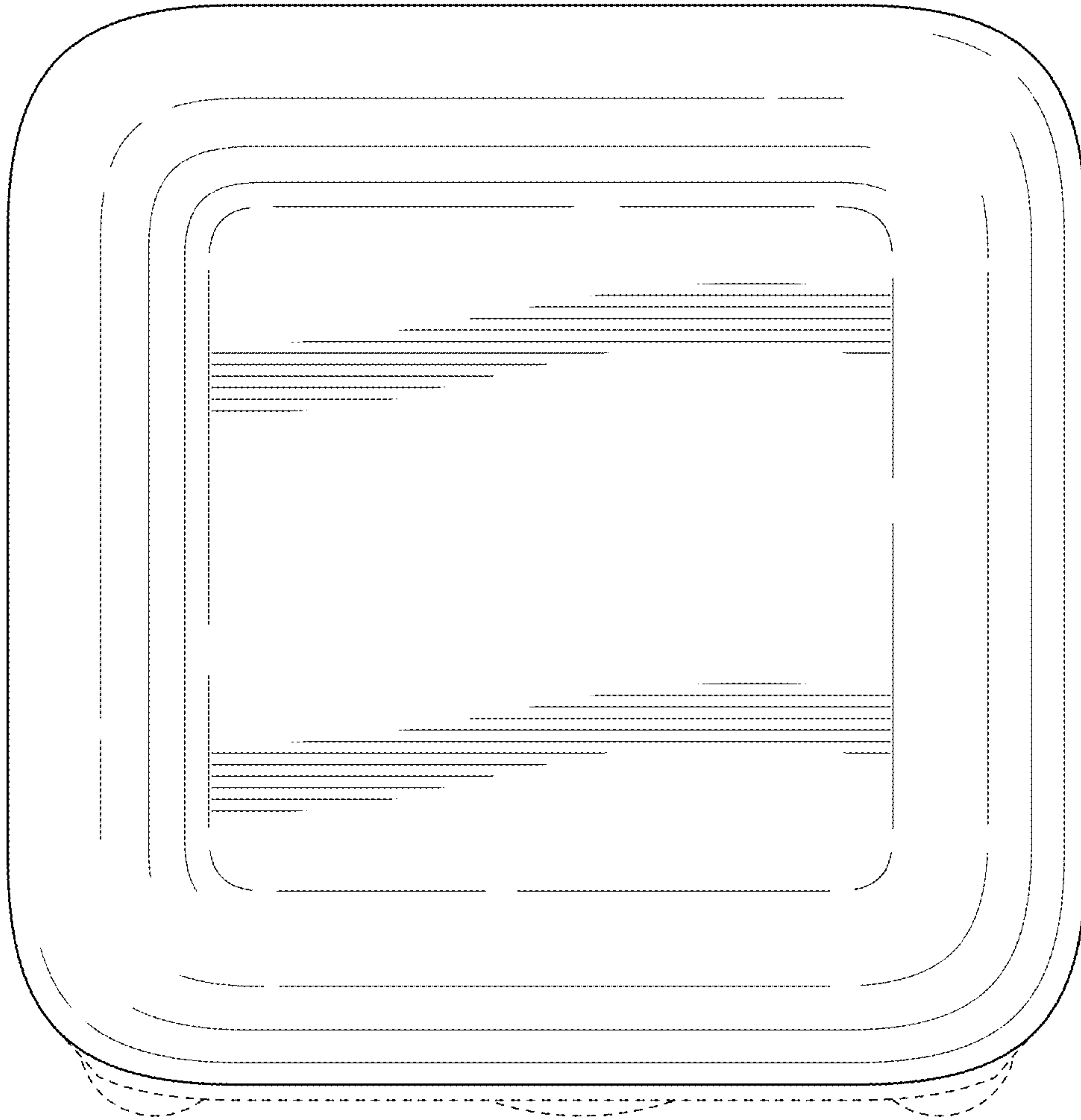


FIG. 6

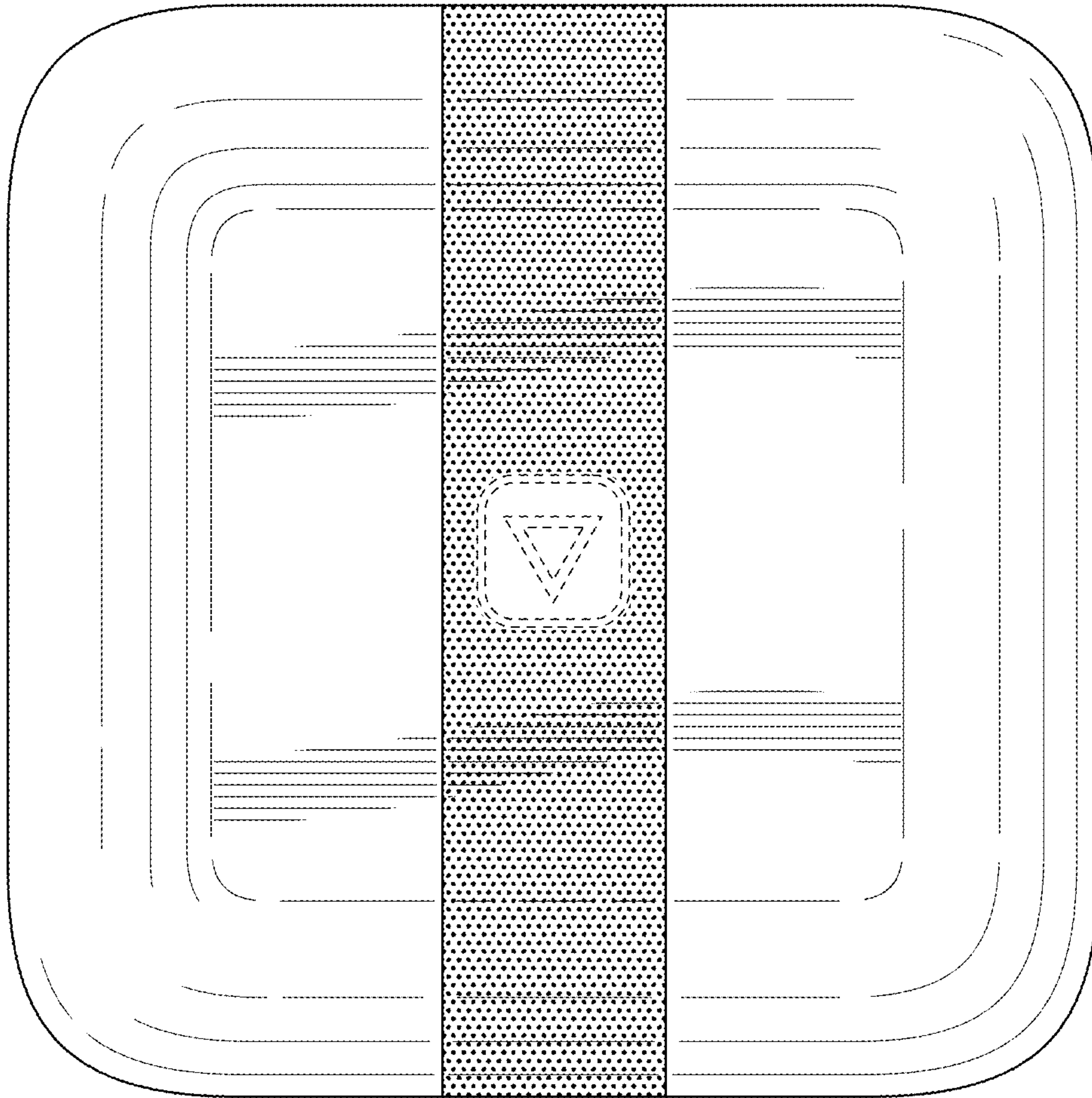


FIG. 7

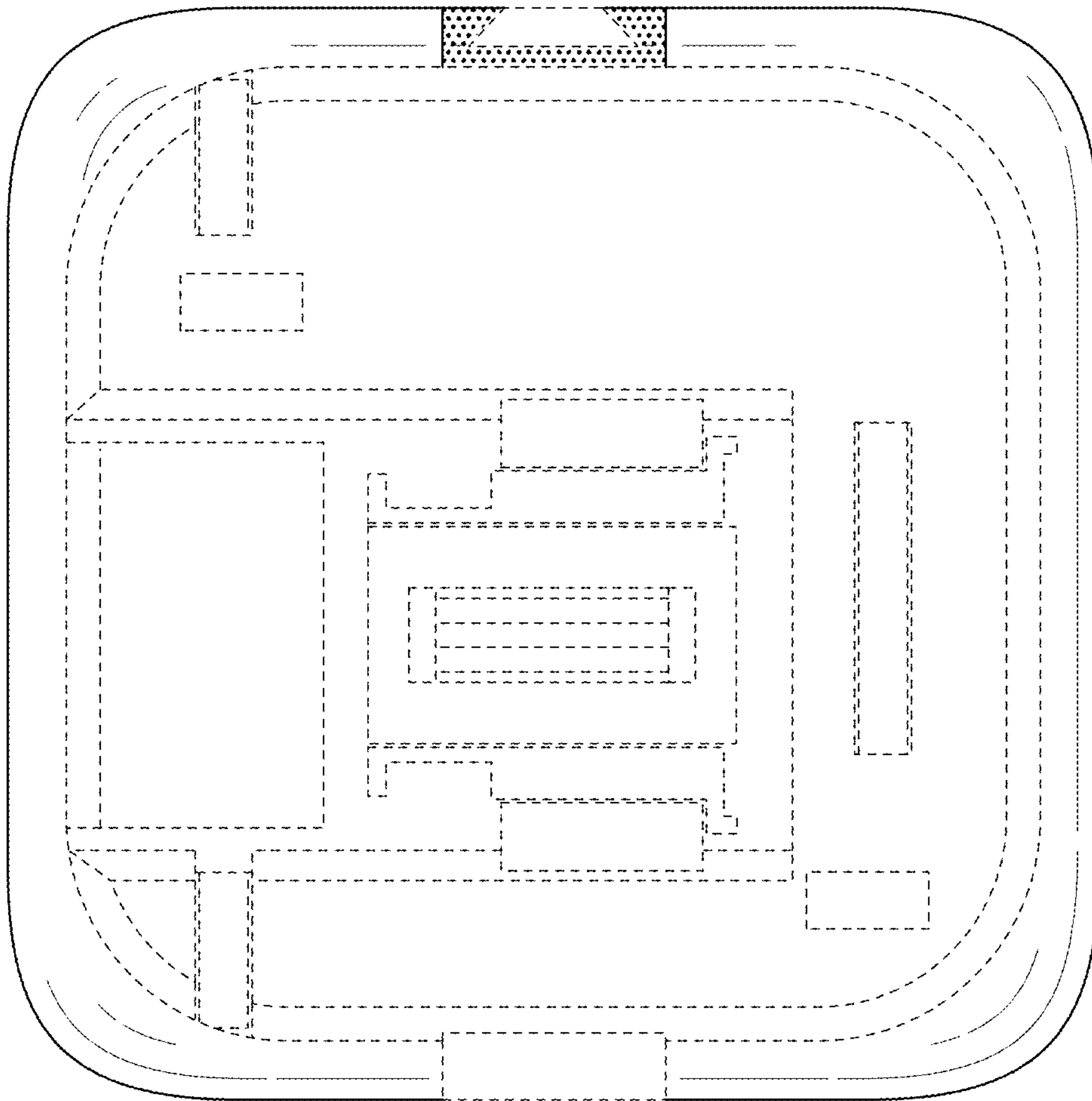


FIG. 8

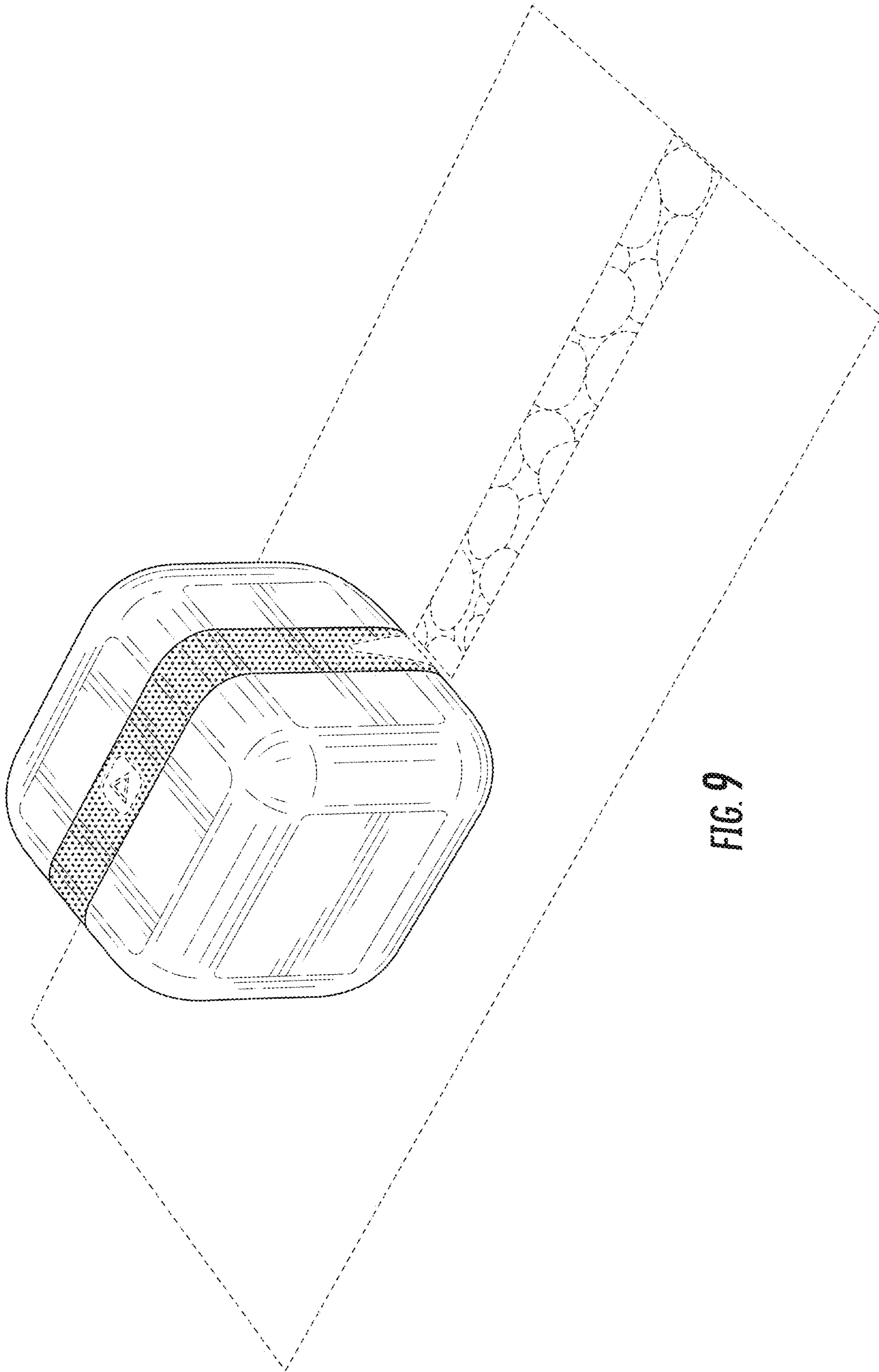


FIG. 9