

US00D961671S

(12) **United States Design Patent** (10) **Patent No.:** **US D961,671 S**
Jensen (45) **Date of Patent:** **** *Aug. 23, 2022**

(54) **HOLDER FOR PAYMENT TERMINAL**

(71) Applicant: **Ergonomic Solutions International Limited**, Epsom (GB)

(72) Inventor: **Lars Enghave Jensen**, Nørresundby (DK)

(*) Notice: This patent is subject to a terminal disclaimer.

(**) Term: **15 Years**

(21) Appl. No.: **35/510,948**

(22) Filed: **Nov. 19, 2020**

(80) **Hague Agreement Data**

Int. Filing Date: **Nov. 19, 2020**

Int. Reg. No.: **DM/211467**

Int. Reg. Date: **Nov. 19, 2020**

Int. Reg. Pub. Date: **Dec. 11, 2020**

(51) **LOC (13) Cl.** **18-01**

(52) **U.S. Cl.**
USPC **D18/12; D8/376; D14/452**

(58) **Field of Classification Search**
USPC D14/447, 432, 434, 439, 440, 451, 452, D14/457, 239, 251, 253; D8/349, 355, D8/363, 364, 366, 373, 380, 381, 394, D8/396; D12/415, 419, 420; D18/4.4-4.6, 12, 12.1; D6/512
CPC A47B 21/04; A47B 2097/006; A47B 2097/005; A47B 2023/049; A45C 2011/002; A45C 2011/003; F16M 2200/00; F16M 13/00

See application file for complete search history.

(56) **References Cited**

U.S. PATENT DOCUMENTS

D300,890 S * 5/1989 Roland D6/512
D300,891 S * 5/1989 Roland D6/512

D326,359 S 5/1992 Friend
D338,105 S 8/1993 Karch
D367,477 S * 2/1996 Rosen D14/452
D401,211 S 11/1998 Simpson
D409,895 S 5/1999 Schron, Jr. et al.
D474,676 S 5/2003 Bainbridge
D482,954 S 12/2003 Hoernig
D494,183 S * 8/2004 Wills D14/452
D514,896 S * 2/2006 Wickenhauser D7/619.1
D524,807 S 7/2006 Topinka
D581,250 S 11/2008 Florent
D605,102 S 12/2009 Peschmann
D655,297 S * 3/2012 Magnusson D14/452
D718,699 S * 12/2014 Nirenberg D12/419
D724,346 S 3/2015 Lim et al.
D736,210 S 8/2015 Paradise et al.
D771,031 S * 11/2016 Ou D14/253
D772,236 S * 11/2016 Anderson D14/452
D780,186 S * 2/2017 Lee D14/447

(Continued)

OTHER PUBLICATIONS

U.S. Appl. No. 35/510,908, filed Nov. 19, 2020, Jensen.

(Continued)

Primary Examiner — Keli L Hill

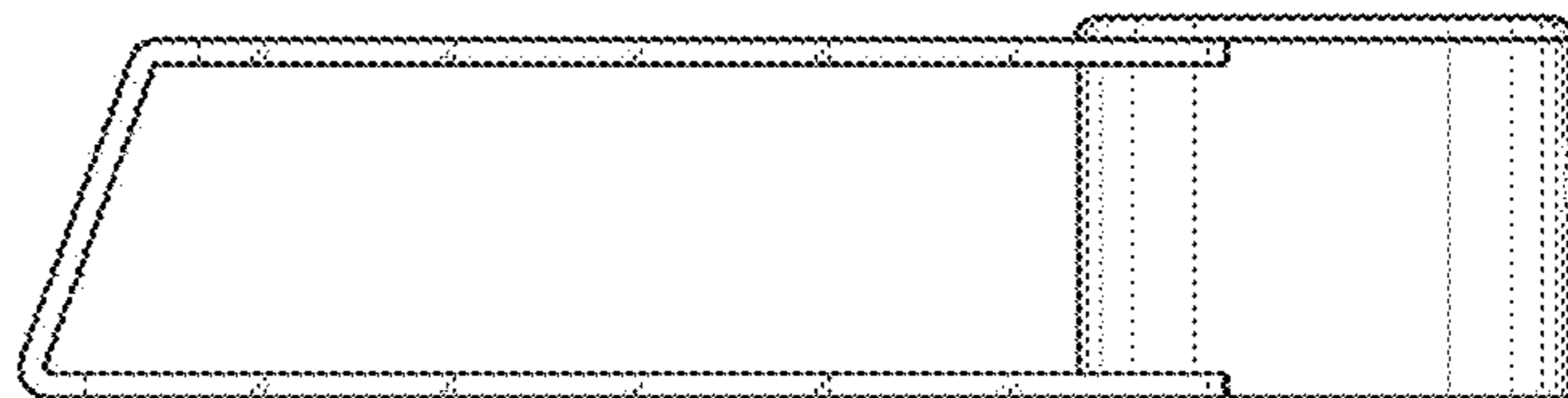
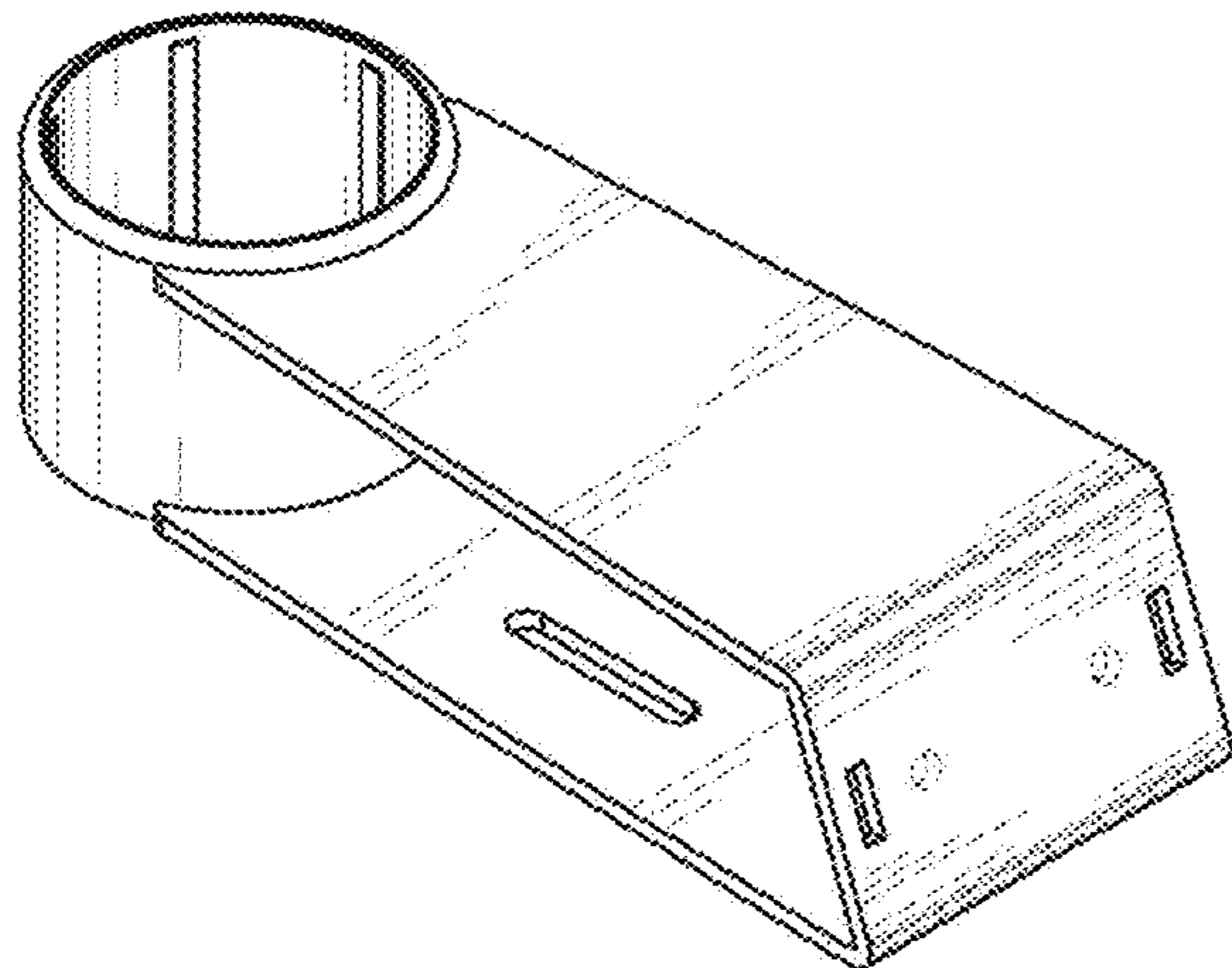
(57) **CLAIM**

The ornamental design for a holder for payment terminal, as shown and described.

DESCRIPTION

Fig. 1.1 is a front perspective view of the holder for payment terminal showing my new design; Fig. 1.2 is a front elevation view thereof; Fig. 1.3 is a rear elevation view thereof; Fig. 1.4 is a left elevation view thereof; Fig. 1.5 is a right elevation view thereof; Fig. 1.6 is a top plan view thereof; and Fig. 1.7 is a bottom plan view thereof. The broken lines shown are included for the purpose of illustrating portions of the holder for payment terminal that form no part of the claim.

1 Claim, 7 Drawing Sheets



(56)

References Cited

U.S. PATENT DOCUMENTS

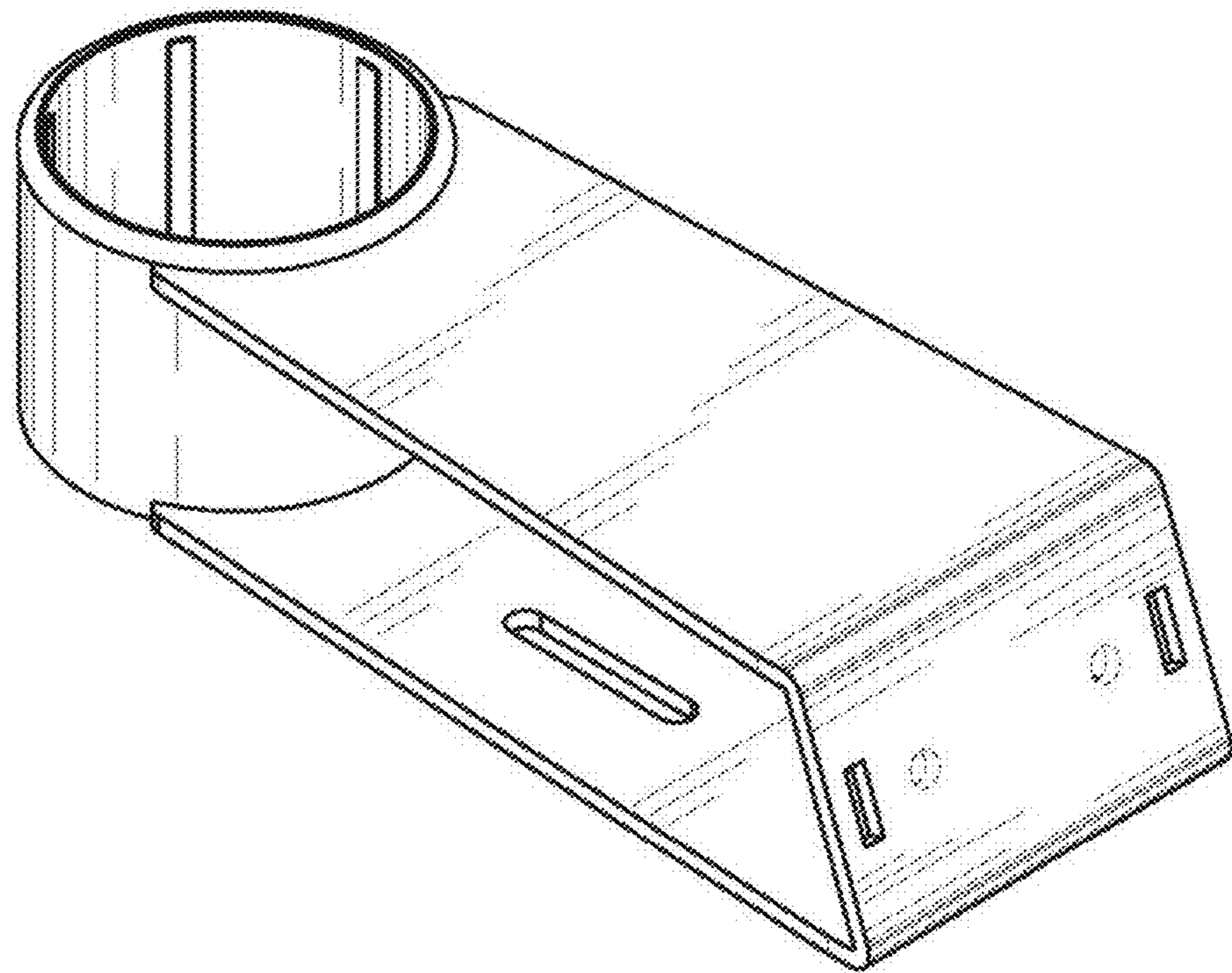
D804,483 S 12/2017 Minoli
D828,746 S * 9/2018 Barnes D8/382
D876,316 S 2/2020 Peters et al.
D879,793 S * 3/2020 Glickstein D14/452
D913,773 S * 3/2021 Gaspar D8/349
D920,770 S 6/2021 Myerson
D921,560 S 6/2021 Brunkhurst
D924,317 S * 7/2021 Laza D18/4.4
D936,458 S 11/2021 Wu

OTHER PUBLICATIONS

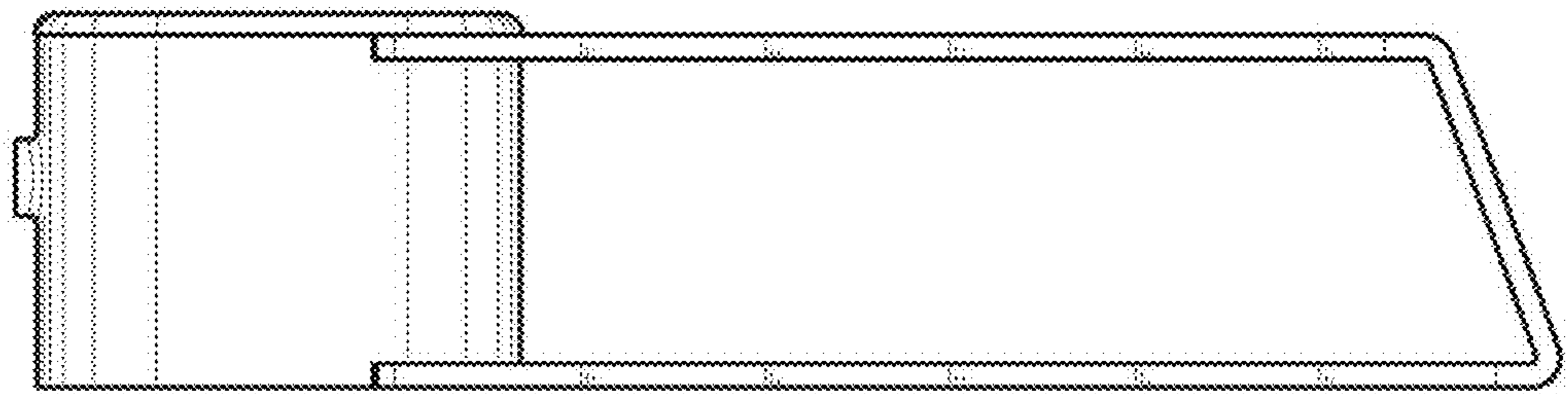
U.S. Appl. No. 35/510,942, filed Nov. 19, 2020, Jensen.
U.S. Appl. No. 35/510,950, filed Nov. 19, 2020, Jensen.
U.S. Appl. No. 35/510,928, filed Nov. 20, 2020, Jensen.
Official Action for U.S. Appl. No. 35/510,908, dated Jan. 5, 2022,
10 pages.
Official Action for U.S. Appl. No. 35/510,942, dated Jan. 5, 2022,
11 pages.
Official Action for U.S. Appl. No. 35/510,950, dated Jan. 19, 2022,
10 pages.
Official Action for U.S. Appl. No. 35/510,928, dated Jan. 6, 2022,
11 pages.

* cited by examiner

1.1



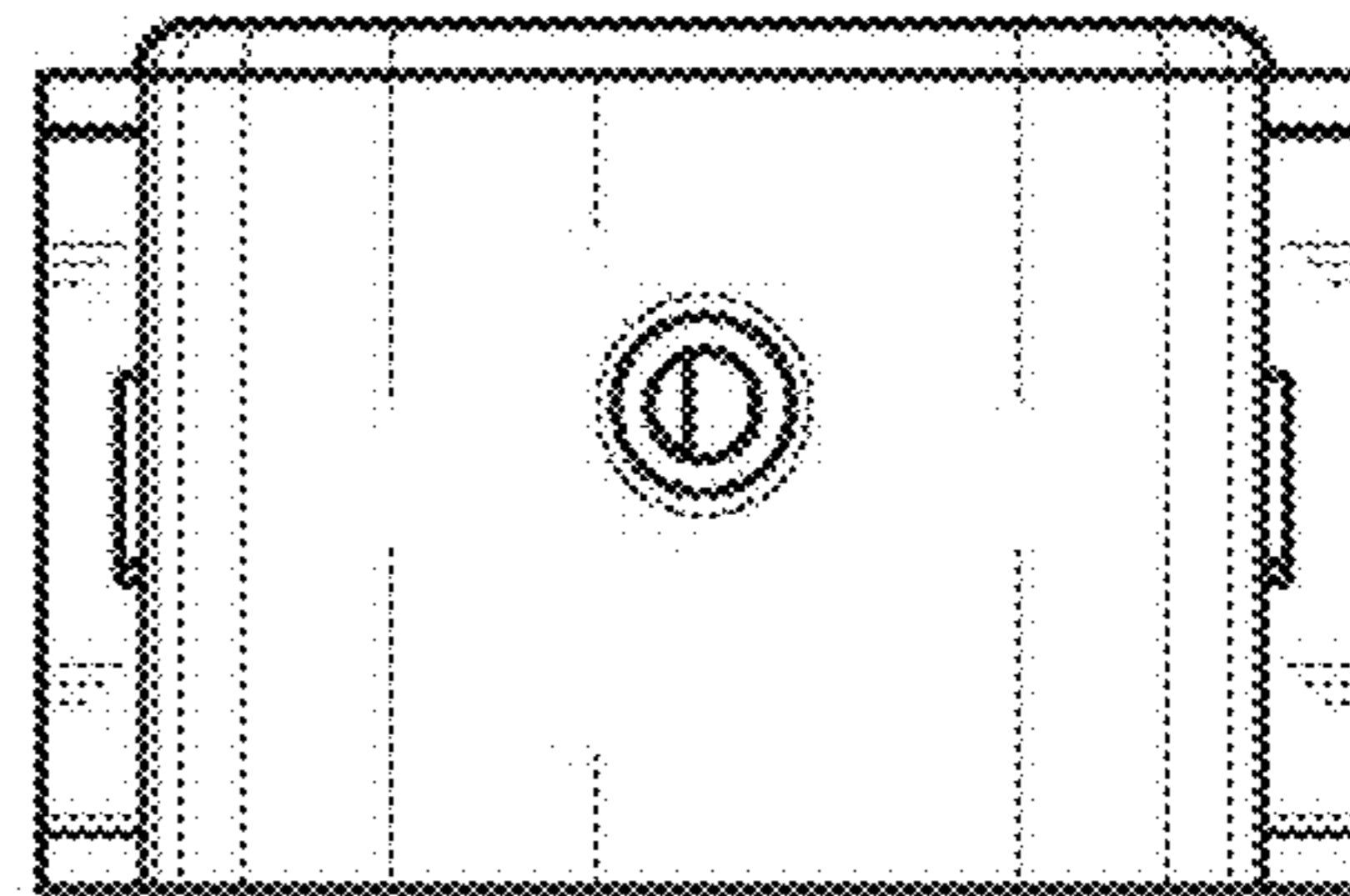
1.2



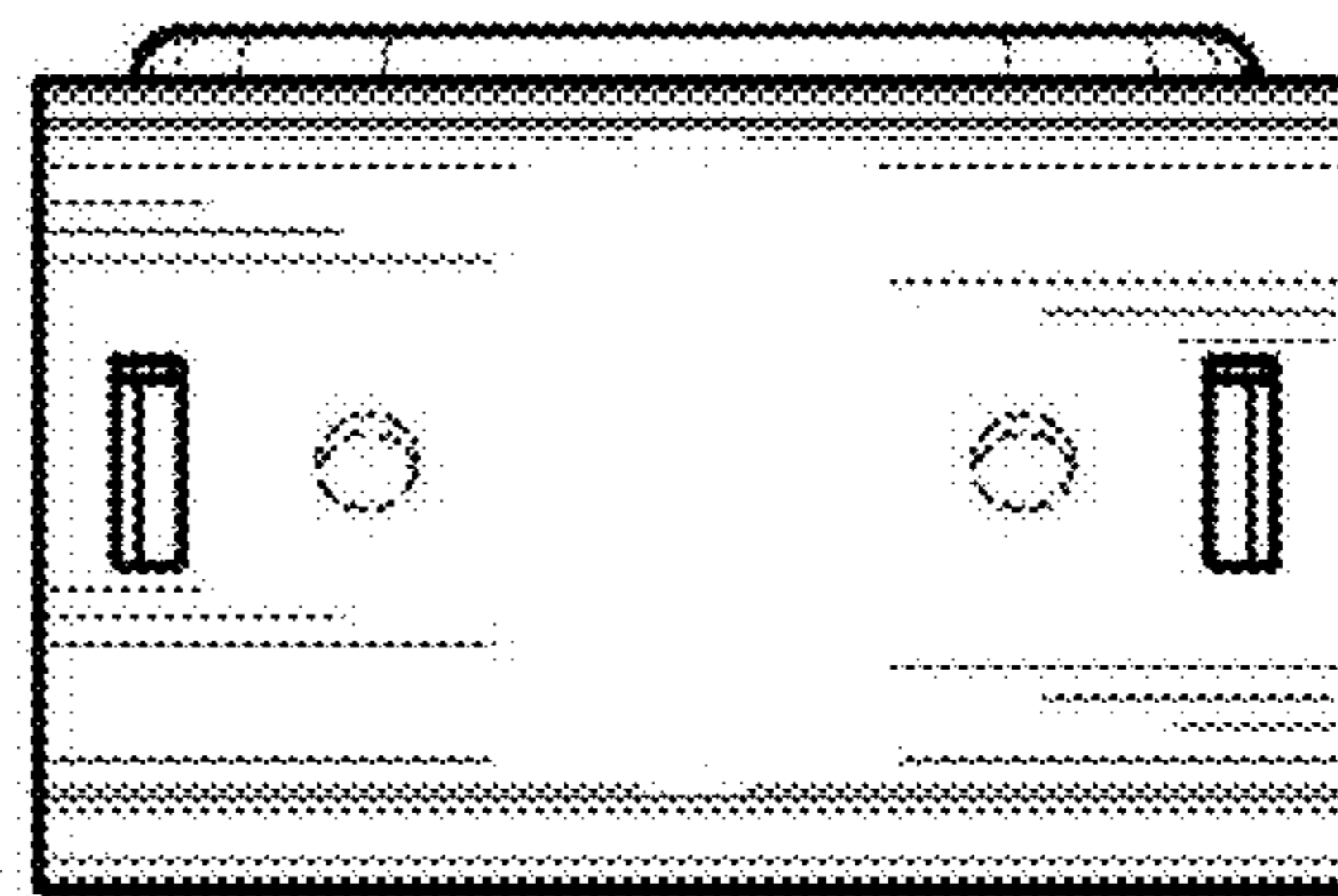
1.3



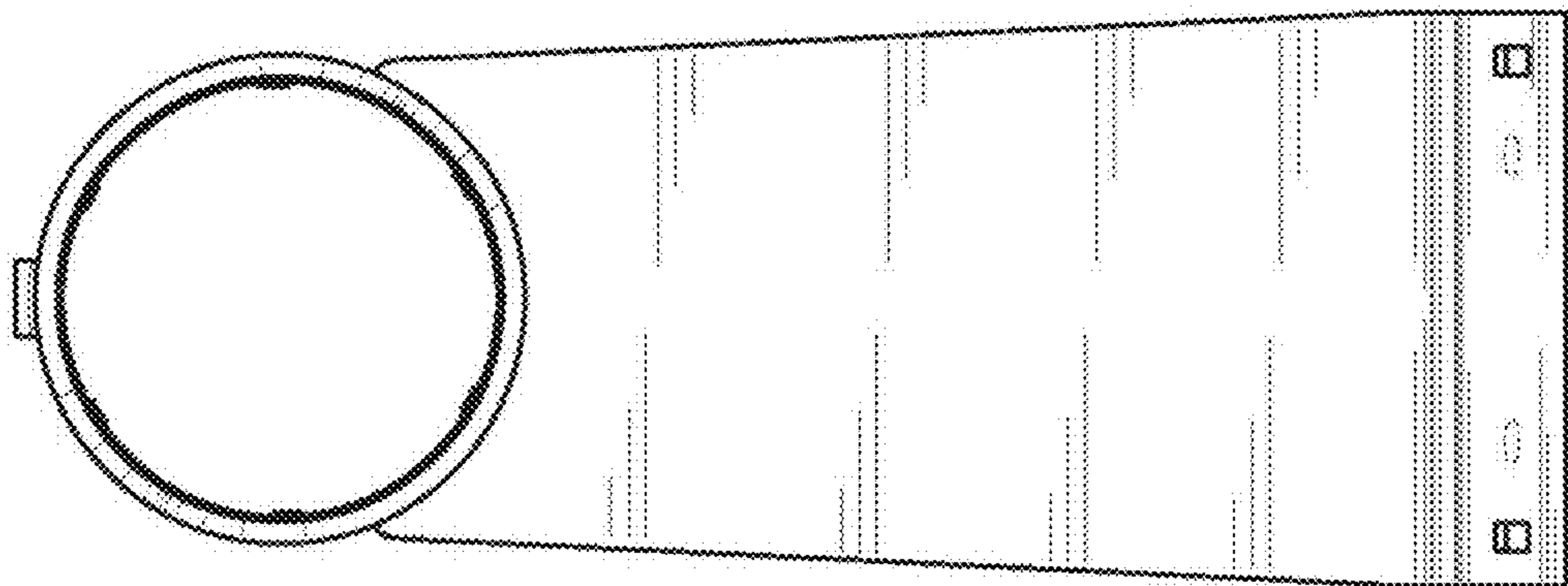
1.4



1.5



1.6



1.7

