

US00D961669S

(12) **United States Design Patent** (10) **Patent No.:** **US D961,669 S**
Boone (45) **Date of Patent:** **** Aug. 23, 2022**

(54) **PAYMENT TERMINAL KEYPAD COVER**

D305,648 S * 1/1990 Edington D14/239
5,089,690 A * 2/1992 Okamura G06F 3/0238
235/145 A
D353,369 S * 12/1994 Leibengood D14/455
D356,074 S * 3/1995 Coblentz D14/457
D364,386 S * 11/1995 Bramlett D14/387
D367,647 S * 3/1996 Faggard D14/387

(71) Applicant: **Sales Data, Inc.**, Hutchinson, KS (US)

(72) Inventor: **Jerry Boone**, Hutchinson, KS (US)

(73) Assignee: **SALES DATA, INC.**, Hutchinson, KS (US)

(Continued)

(**) Term: **15 Years**

OTHER PUBLICATIONS

(21) Appl. No.: **29/751,581**

VeriFone M177-509-01-R MX925. (Online) 5 pgs. Available Dec. 9, 2015. [Retrieved Nov. 30, 2021] MX925https://www.amazon.com/VeriFone-M177-509-01-R-MX925-PCI-CTLS/dp/B0195JDPVC/ref=sr_1_15?keywords=VeriFone&qid=1638299532&sr=8-15.*

(22) Filed: **Sep. 22, 2020**

(Continued)

(51) **LOC (13) Cl.** **18-01**

(52) **U.S. Cl.**

USPC **D18/12**

(58) **Field of Classification Search**

USPC D18/4.4, 4.5, 4.6, 2, 11, 12, 12.3, 50, 14, D18/19-21, 54, 99, 4.1, 4.3; D20/1, 8, 9; D99/28, 43; D14/338, 339, 383, 385, D14/386, 387, 440, 454, 455, 390, 399; D10/106.9, 109.95

CPC G06Q 20/00; G06Q 20/08; G06Q 20/20; G06Q 20/204; G06Q 20/12; G06Q 20/18; G06Q 20/40; G06Q 20/401; G06Q 20/4012; G07F 7/0873; G07F 7/088; G07F 7/0886; G07F 7/0893; G07F 7/1033; G07F 19/20; G07F 19/201; G07G 1/00; G07G 1/0009; G07G 1/0018; G06F 1/1692; G06F 3/0202; G06C 7/00; G06C 13/02; G09B 21/003; H01H 13/14; H01H 13/70

See application file for complete search history.

Primary Examiner — Marie D. Fast Horse

(57) **CLAIM**

The ornamental design for a payment terminal keypad cover, as shown and described.

DESCRIPTION

FIG. 1 is an isometric view of a payment terminal keypad cover showing my new design; FIG. 2 is a front elevational view thereof; FIG. 3 is a rear elevational view thereof; FIG. 4 is a left-side elevational view thereof; FIG. 5 is a right-side elevational view thereof; FIG. 6 is a top plan view of thereof; and, FIG. 7 is a bottom plan view of thereof.

The broken lines in the drawings depict portions of the payment terminal keypad cover that form no part of the claim.

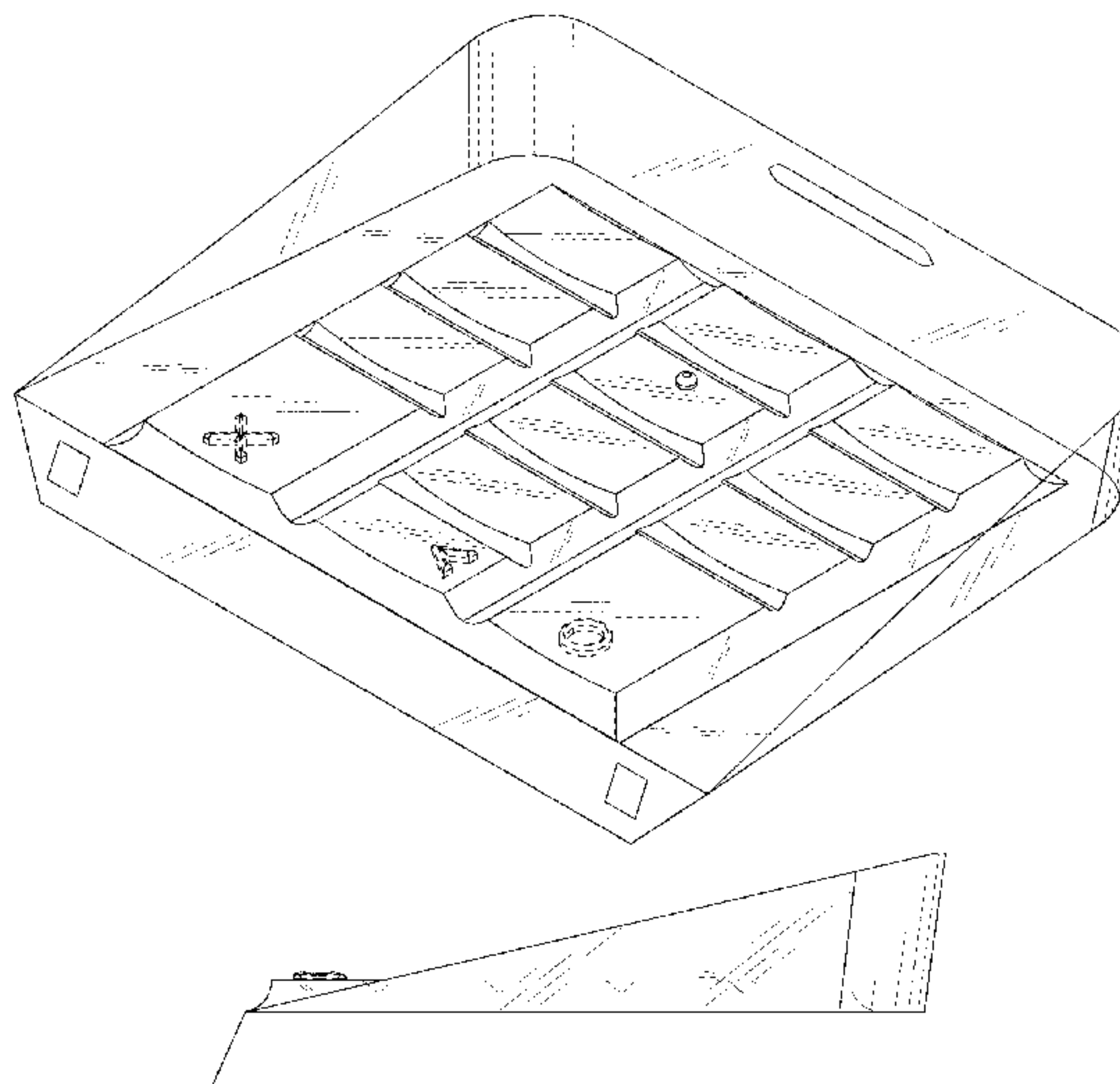
The two rectangular features shown on the front hanging surface are holes that will secure around a protruding surface of the payment terminal keypad to hold the cover in place. The oblique line shading indicates the surfaces of the design are transparent.

(56) **References Cited**

U.S. PATENT DOCUMENTS

D229,315 S * 11/1973 Scott D14/440
D260,907 S * 9/1981 Giulie D19/92
D265,561 S * 7/1982 Cottrell D18/12
D267,015 S * 11/1982 Clavel D18/12
4,449,763 A * 5/1984 Barnett G06F 3/0202
160/352

1 Claim, 7 Drawing Sheets



(56)

References Cited

U.S. PATENT DOCUMENTS

D377,167 S * 1/1997 High, Sr. D14/387
 5,641,074 A * 6/1997 Smed A47B 87/0261
 211/11
 D410,928 S * 6/1999 Sun D14/247
 D414,163 S * 9/1999 Hesselbach D14/387
 D466,517 S * 12/2002 O'Connor D14/455
 6,614,423 B1 * 9/2003 Wong G06F 3/0488
 345/173
 D493,176 S * 7/2004 O'Connor D14/455
 D504,431 S * 4/2005 Scully D14/455
 6,962,454 B1 * 11/2005 Costello G06F 3/0202
 400/692
 D554,694 S * 11/2007 Slinckx D18/4.4
 D576,472 S * 9/2008 Gaiardo D8/354
 D589,048 S * 3/2009 Nossek D14/455
 D590,575 S * 4/2009 Bleck D14/399
 D598,024 S * 8/2009 Scott D14/455
 D637,601 S * 5/2011 Symons D14/447
 D641,210 S * 7/2011 Hamilton D7/554.3
 D655,989 S * 3/2012 Nelms D7/698
 D741,105 S * 10/2015 Ryan D7/354
 D743,405 S * 11/2015 Woods D14/440
 D765,767 S * 9/2016 Yeruva D18/12.2
 D780,848 S * 3/2017 Greenspon D19/92
 D791,223 S * 7/2017 Blanc D18/4.6
 D806,160 S * 12/2017 Specht D18/4.6
 D810,817 S * 2/2018 Wang D18/4.6
 9,990,616 B2 * 6/2018 Wang G06Q 20/20
 D823,935 S * 7/2018 Wang D18/4.6
 D831,031 S * 10/2018 Burch, V D14/453
 10,304,642 B2 * 5/2019 Fujita H01H 13/14
 D915,504 S * 4/2021 Wang D18/4.6
 D919,699 S * 5/2021 Fuhs D18/4.6
 D951,337 S * 5/2022 Waite D18/12
 D951,338 S * 5/2022 Waite D18/12
 2002/0063149 A1 * 5/2002 Jun H01H 13/70
 235/145 R
 2003/0002909 A1 * 1/2003 Jeffries G06F 3/0202
 400/714
 2013/0069784 A1 * 3/2013 Koike G07F 7/1033
 340/568.1
 2022/0058606 A1 * 2/2022 Boone G06Q 20/20

OTHER PUBLICATIONS

VeriFone MX925 Multimedia Payment Terminal. (Online) 5 pgs. Available Oct. 25, 2016. [Retrieved Nov. 30, 2021] [URL https://www.amazon.com/VeriFone-MX925-Multimedia-Payment-Terminal/dp/B01LYE9BWK/ref=pd_sbs_1/146-9336554-9414431?pd_rd_w=QBG5v&pf_rd_p=690958f6-2825-419e-9c16-73ffd4055b65&pf_rd_r=V1SRN4P7H4HQWZAG5ECT&pd_rd_r=f8bbd7b4-95fc-4d7f-822a-aea4499129e9&pd_rd_wg=7Yf8o&pd_rd_i=B01LYE9BWK&psc=1].*

VeriFone MX915/MX925 Pin Pad Key Cover. (Online ebay item 283962923867) 4 pgs. Item page last revised Aug. 18, 2020. [Retrieved Dec. 1, 2021] <https://www.ebay.com/itm/283962923867?chn=ps&mkevt=1&mkcid=28>.*

Revision summary for item 283962923867 (Online ebay item 283962923867) 1 pg. Item page last revised Aug. 18, 2020. [Retrieved Dec. 1, 2021] <https://www.ebay.com/rvh/283962923867?rt=nc&trksid=p2047675.148144>.*

Verifone Mx915/Mx925 Protective Spill Cover for Keypad . . . (Online) 7 pgs. Available Aug. 21, 2017. [Retrieved Dec. 1, 2021] https://www.amazon.com/Discount-Credit-Card-Supply-Protective/dp/B082DN2FRS/ref=sr_1_9?keywords=pin+pad+cover&qid=1638383117&s=electronics&sr=1-9.*

Bio Key Guard, Retrieved from Internet, Retrieved on Jun. 22, 2020 <URL: <https://biokeyguard.com/>>.

MX915/925 Keypad Protective Spill Cover, Retrieved from Internet, Retrieved on Jun. 22, 2020 <URL: <https://www.discountcreditcardsupply.com/products/verifone-mx915-925-keypad-protective-cover>>.

VeriFone MX915/MX925 Keypad Cover, Retrieved from Internet, Retrieved on Jun. 22, 2020 <URL: <https://www.protectcovers.com/verifone-cover.html>>.

MX915/MX925 Keypad Protective Spill Cover, Retrieved from Internet, Retrieved on Jun. 22, 2020 <URL: <https://www.dccstands.com/products/mx915-mx925-keypad-protective-spill-cover>>.

VeriFone MX915 Keypad Protector, Retrieved from Internet, Retrieved on Jun. 22, 2020 <URL: <https://www.smartkeyboardsolutions.com/cover-verifone-mx915-Keypad-81268K.htm>>.

* cited by examiner

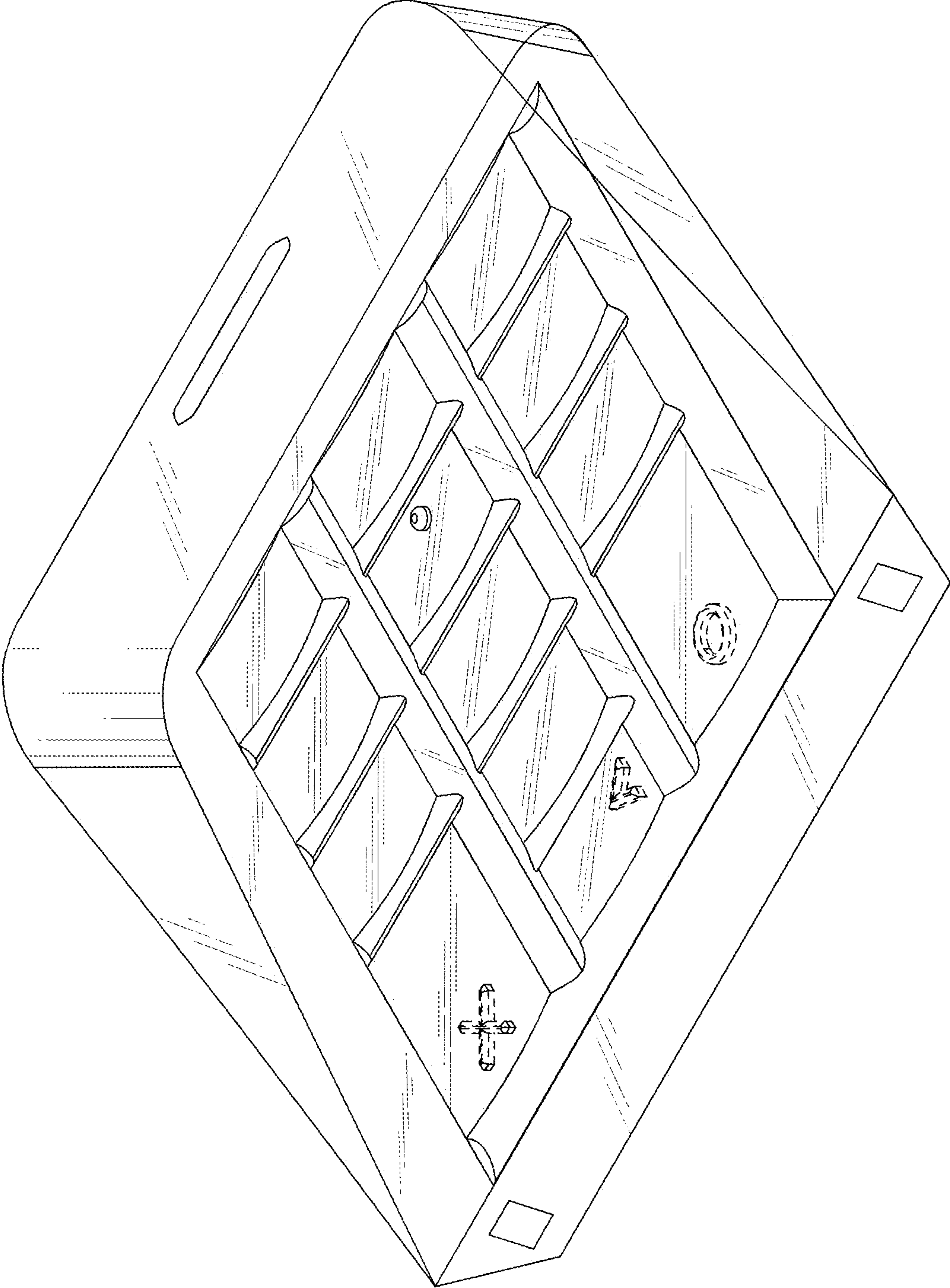


FIG. 1

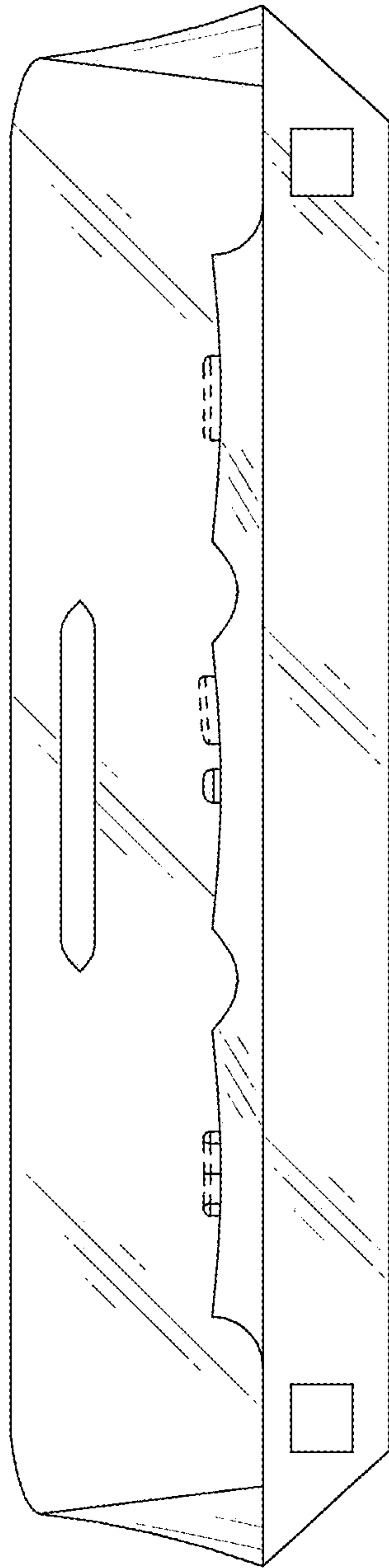


FIG. 2

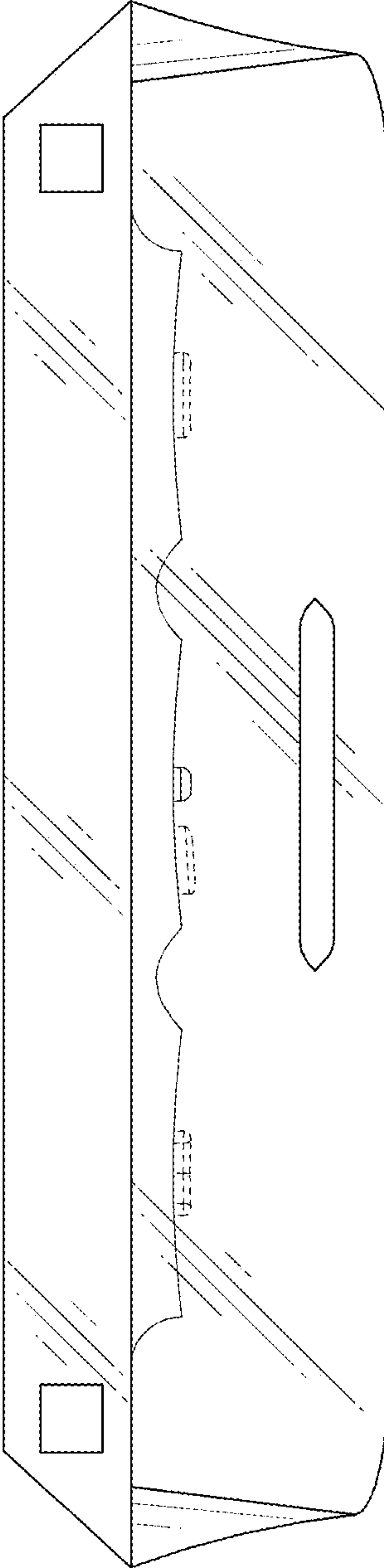


FIG. 3

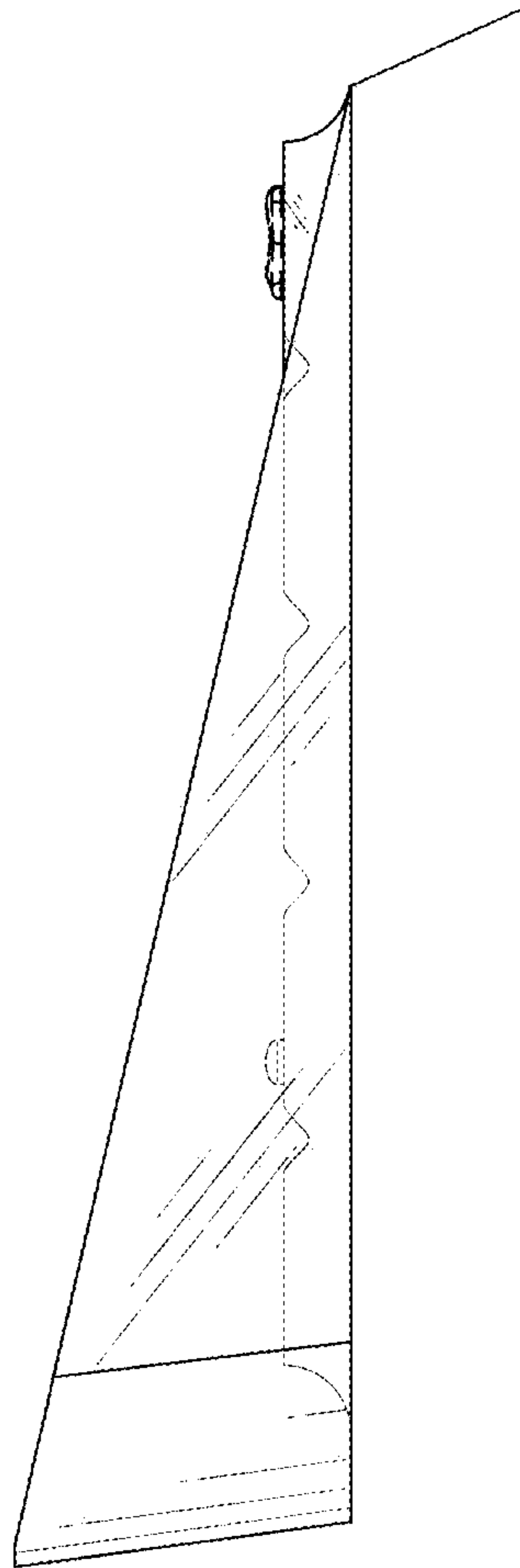


FIG. 4

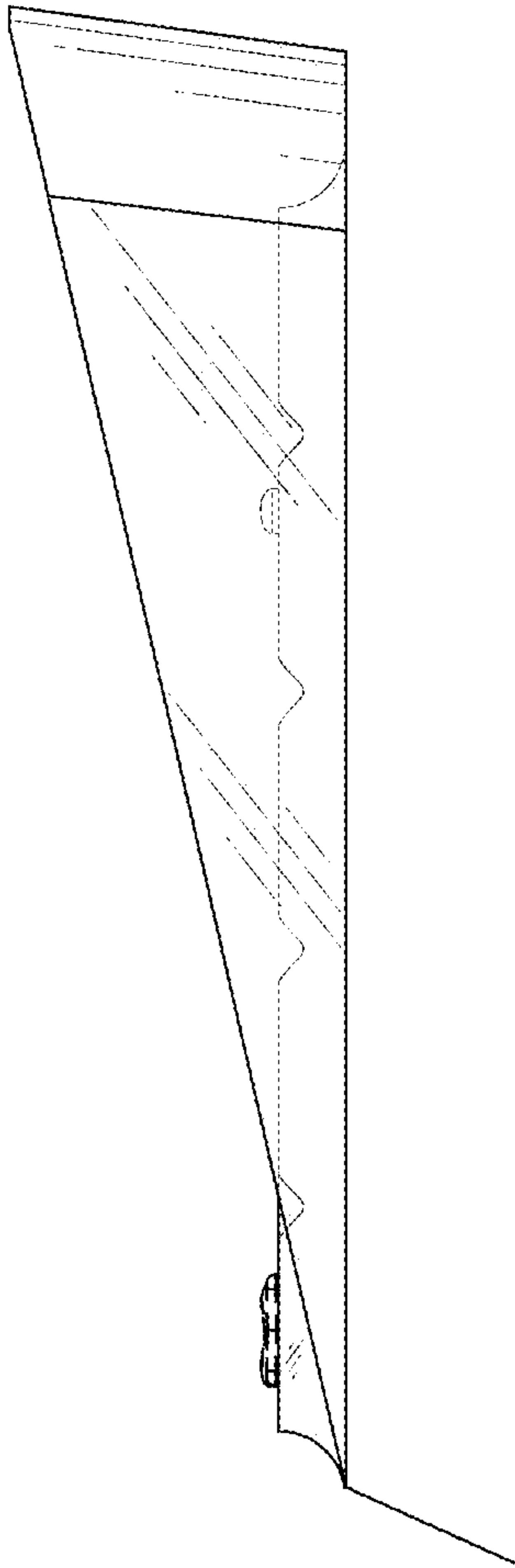


FIG. 5

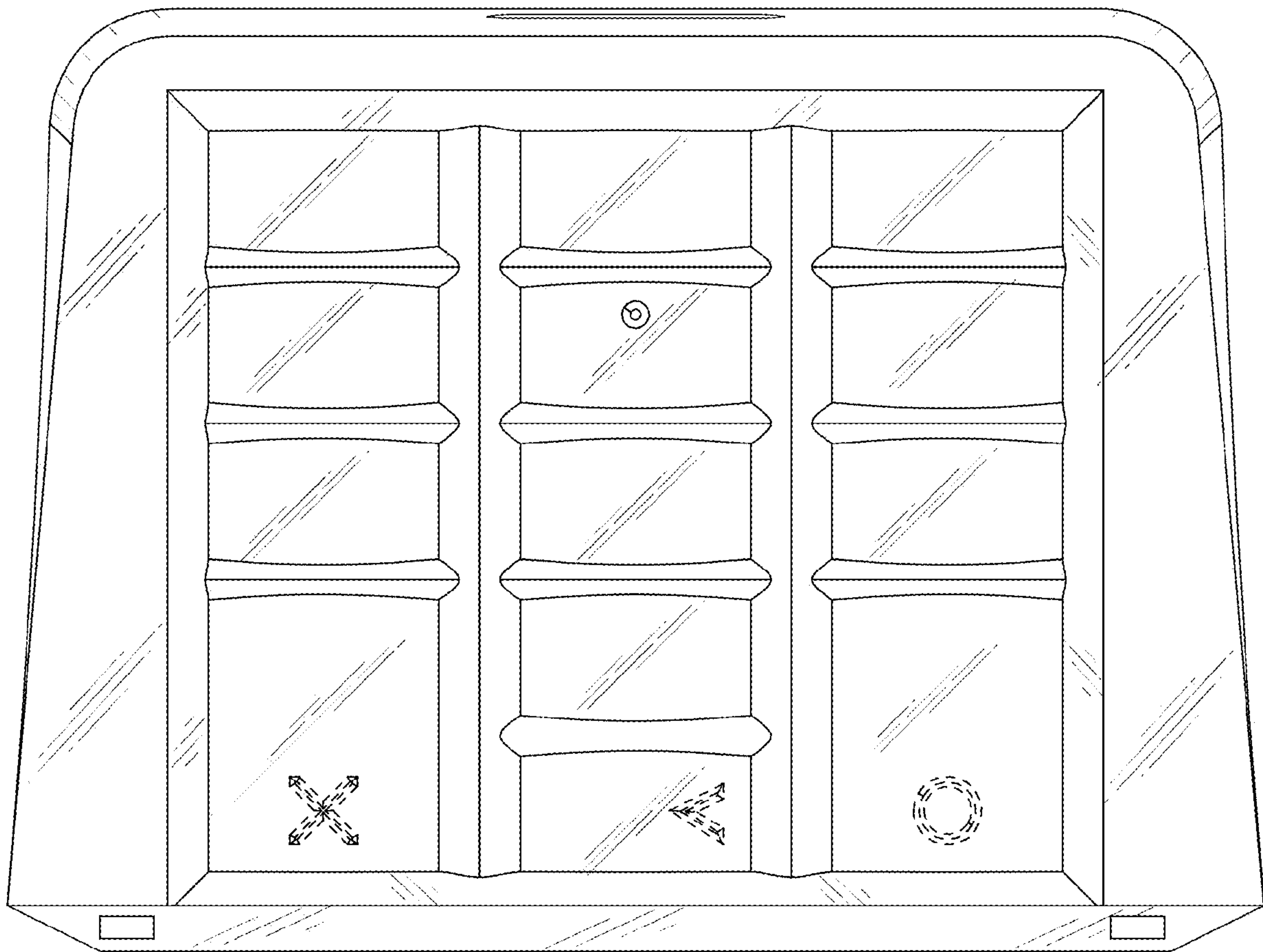


FIG. 6

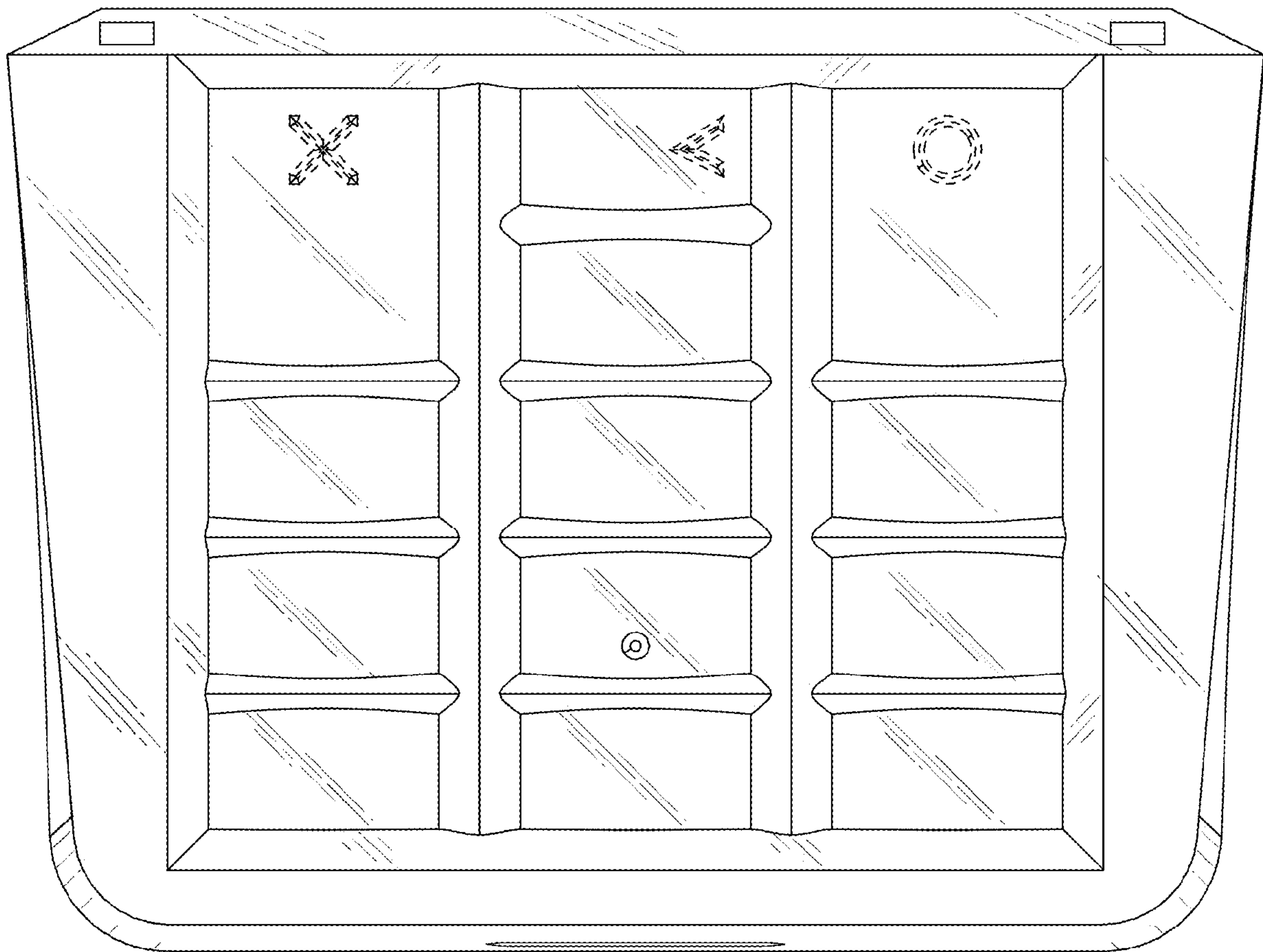


FIG. 7