



US00D961667S

(12) **United States Design Patent** (10) **Patent No.:** **US D961,667 S**  
**Wang** (45) **Date of Patent:** **\*\* Aug. 23, 2022**

(54) **STEEL TONGUE DRUM**

(71) Applicant: **Xianfeng Wang**, Liaoning (CN)

(72) Inventor: **Xianfeng Wang**, Liaoning (CN)

(\*\*) Term: **15 Years**

(21) Appl. No.: **29/769,972**

(22) Filed: **Feb. 9, 2021**

(51) **LOC (13) Cl.** ..... **17-04**

(52) **U.S. Cl.**  
USPC ..... **D17/22**

(58) **Field of Classification Search**  
USPC ..... D17/22, 99; D21/405  
CPC ..... G10D 13/00; G10D 13/01; G10D 13/02;  
G10D 13/03; G10D 13/10; G10D 13/12;  
G10D 99/00

See application file for complete search history.

(56) **References Cited**

**U.S. PATENT DOCUMENTS**

D815,193 S *	4/2018	Gibson	.....	D17/22
D897,420 S *	9/2020	Chen	.....	D17/22
D915,501 S *	4/2021	Yang	.....	D17/22
D941,386 S *	1/2022	Chen	.....	D17/22
D943,659 S *	2/2022	Yang	.....	D17/22
D944,886 S *	3/2022	Yang	.....	D17/22
2015/0364121 A1 *	12/2015	Güngör	.....	G10D 13/08 84/411 R

**OTHER PUBLICATIONS**

Walmart.com. [https://www.walmart.com/ip/Balight-6-Inch-Steel-Tongue-Drum-8-Tune-Hand-Pan-Drum-Tank-Hang-Drum-With-Drumsticks-Carrying-Bag-Percussion-Instruments/184191090?wmlspartner=wlp&selectedSellerId=101053396&adid=222222222222458036189&wmlspartner=wmtlabs&wl0=e&wl1=o&wl2=c&wl3=75110537977657&wl4=pla-4578710070453347&wl5=&wl6=&wl7=&wl10=Walmart&wl11=Online&wl12=184191090\\_10001072772&wl14=steel%20tongue%20drum&veh=sem&msclkid=40ce351696ff1d63f8585759e6b8f173](https://www.walmart.com/ip/Balight-6-Inch-Steel-Tongue-Drum-8-Tune-Hand-Pan-Drum-Tank-Hang-Drum-With-Drumsticks-Carrying-Bag-Percussion-Instruments/184191090?wmlspartner=wlp&selectedSellerId=101053396&adid=222222222222458036189&wmlspartner=wmtlabs&wl0=e&wl1=o&wl2=c&wl3=75110537977657&wl4=pla-4578710070453347&wl5=&wl6=&wl7=&wl10=Walmart&wl11=Online&wl12=184191090_10001072772&wl14=steel%20tongue%20drum&veh=sem&msclkid=40ce351696ff1d63f8585759e6b8f173). "Balight 6 Inch Steel Tongue Drum". Date Unknown: Viewed Apr. 2022 (Year: 2022).\*

\* cited by examiner

*Primary Examiner* — R. Johnson

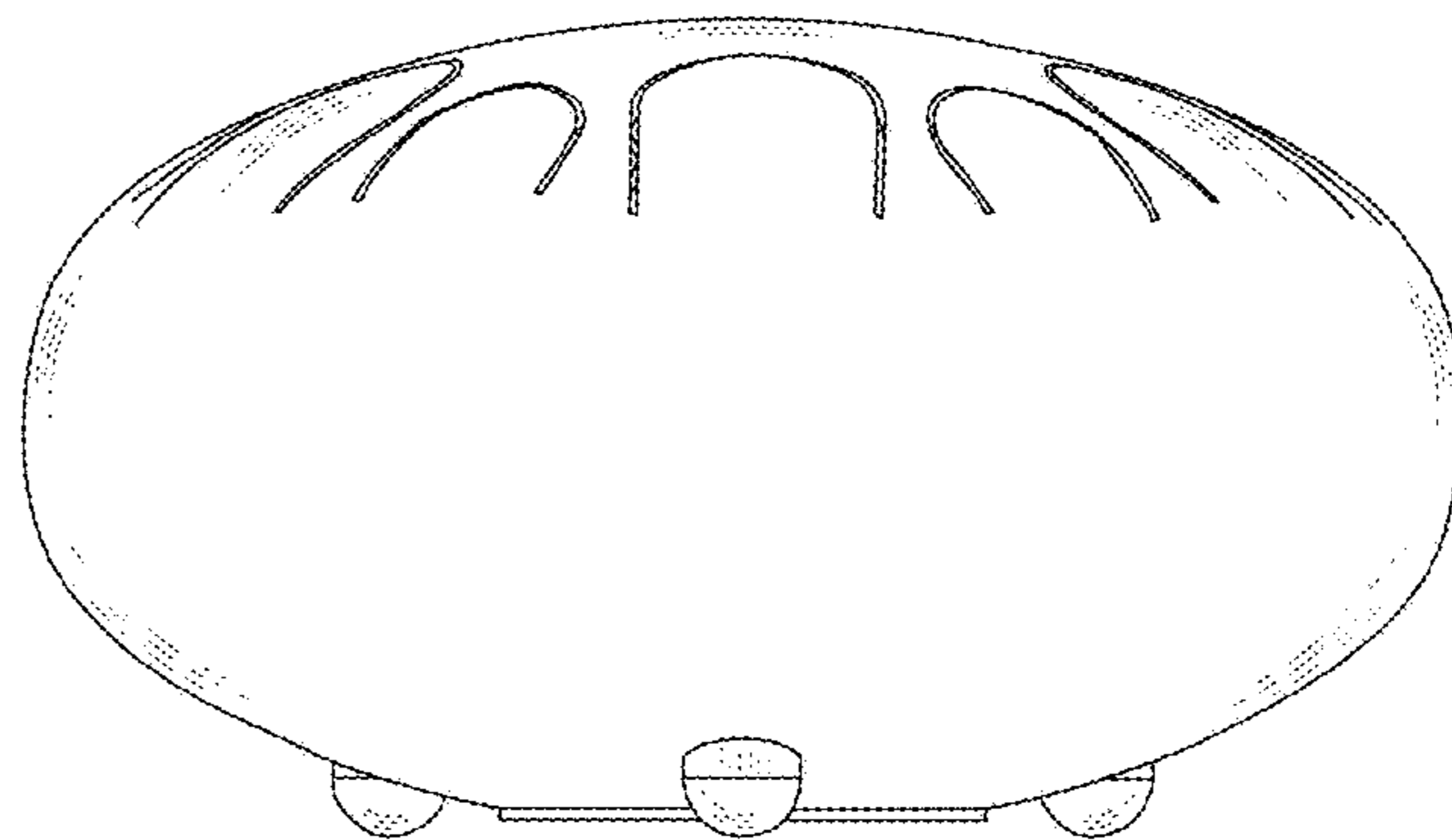
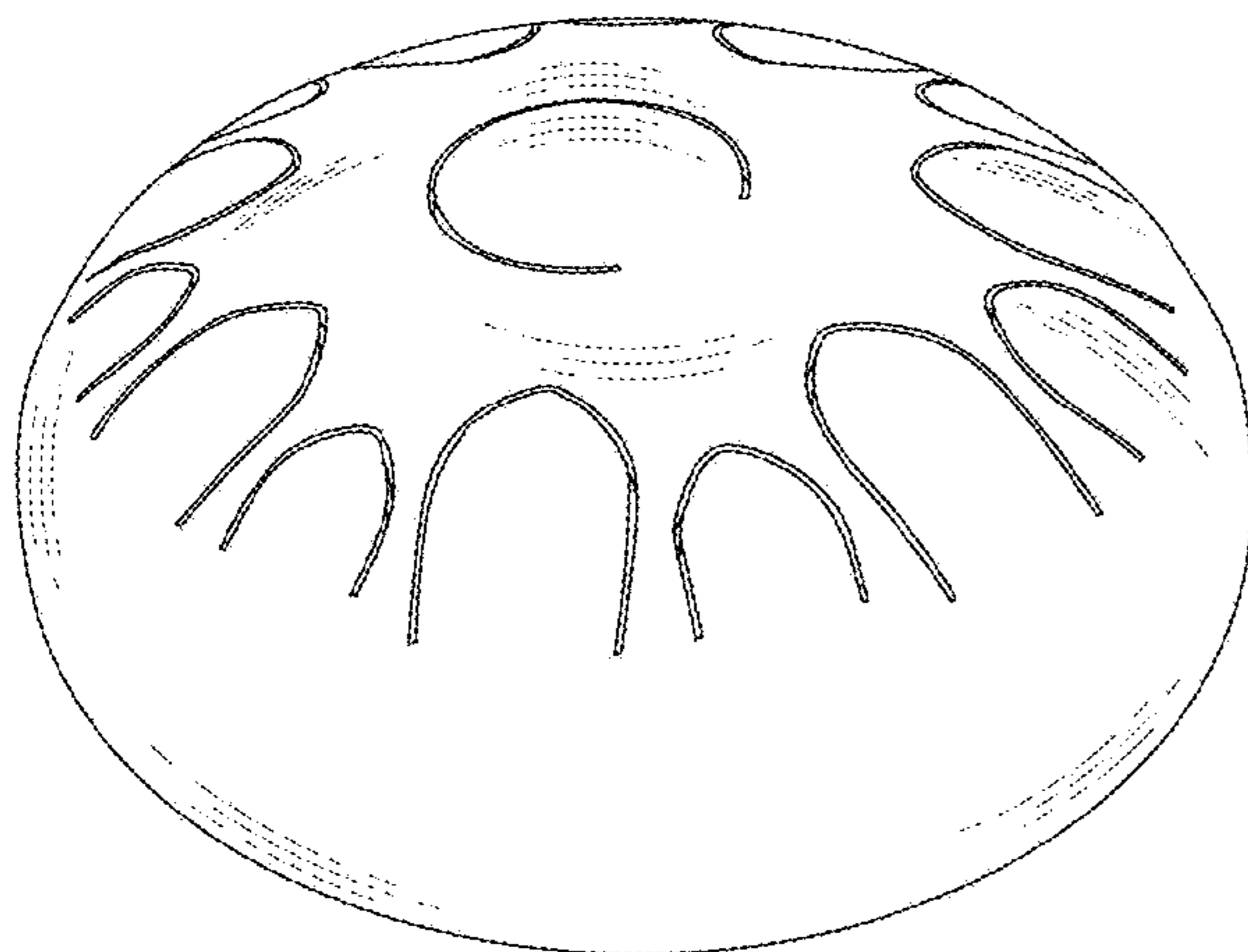
(57) **CLAIM**

The ornamental design for a steel tongue drum, as shown and described.

**DESCRIPTION**

FIG. 1 is a perspective view of a steel tongue drum showing my new design;  
FIG. 2 is a front elevation view thereof;  
FIG. 3 is a rear elevation view thereof;  
FIG. 4 is a left side elevation view thereof;  
FIG. 5 is a right side elevation view thereof;  
FIG. 6 is a top plan view thereof; and,  
FIG. 7 is a bottom plan view thereof.

**1 Claim, 7 Drawing Sheets**



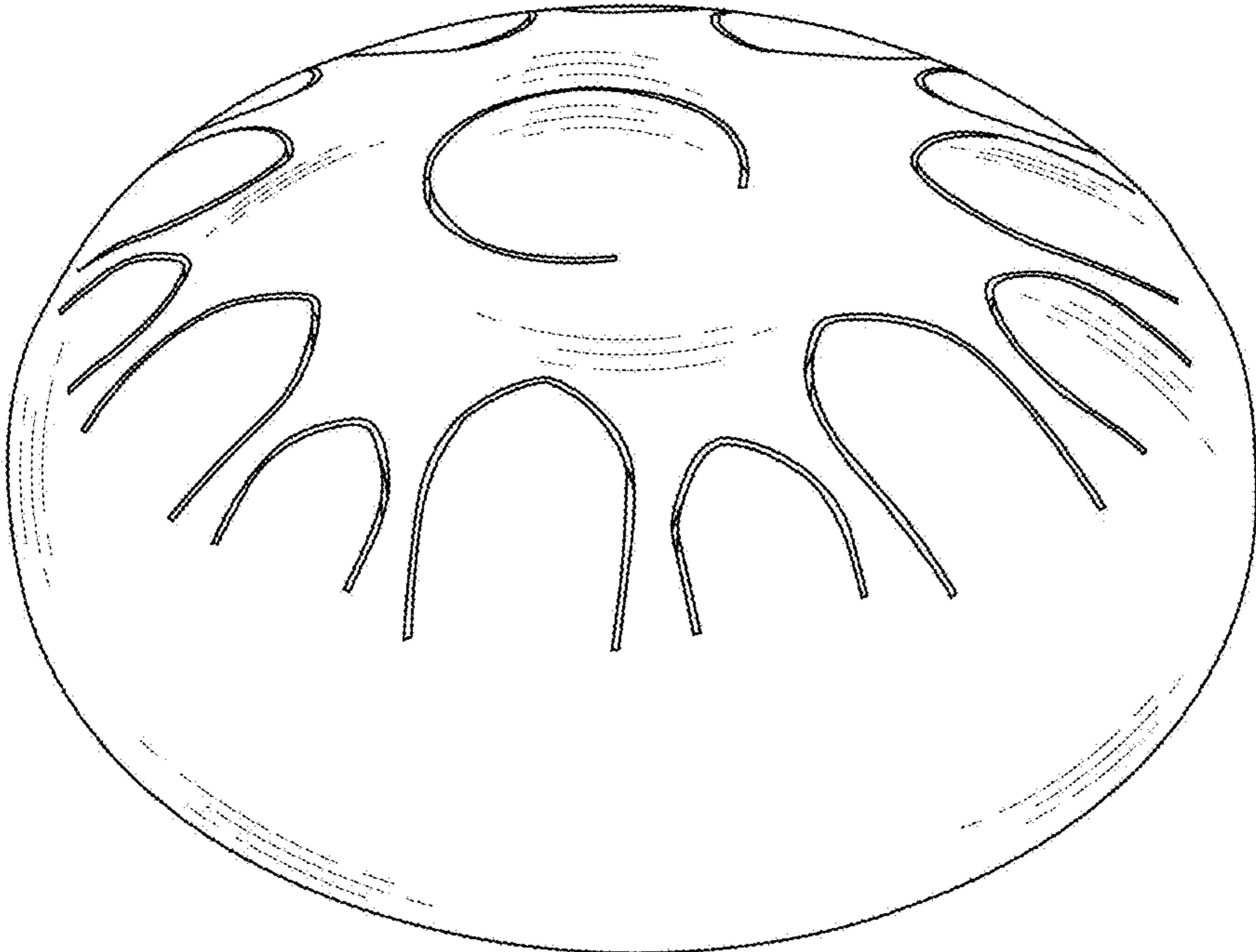


FIG.1

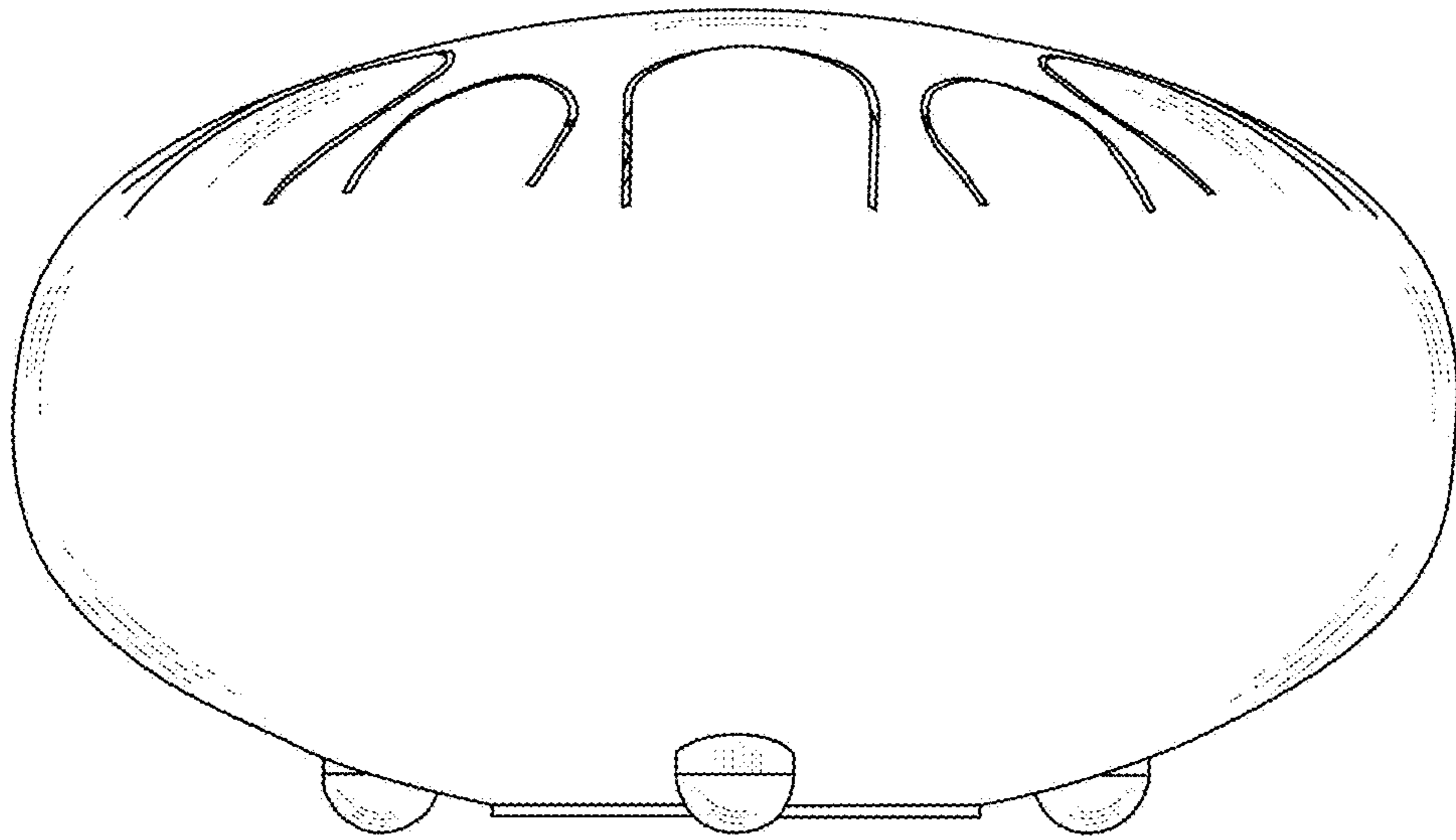


FIG.2

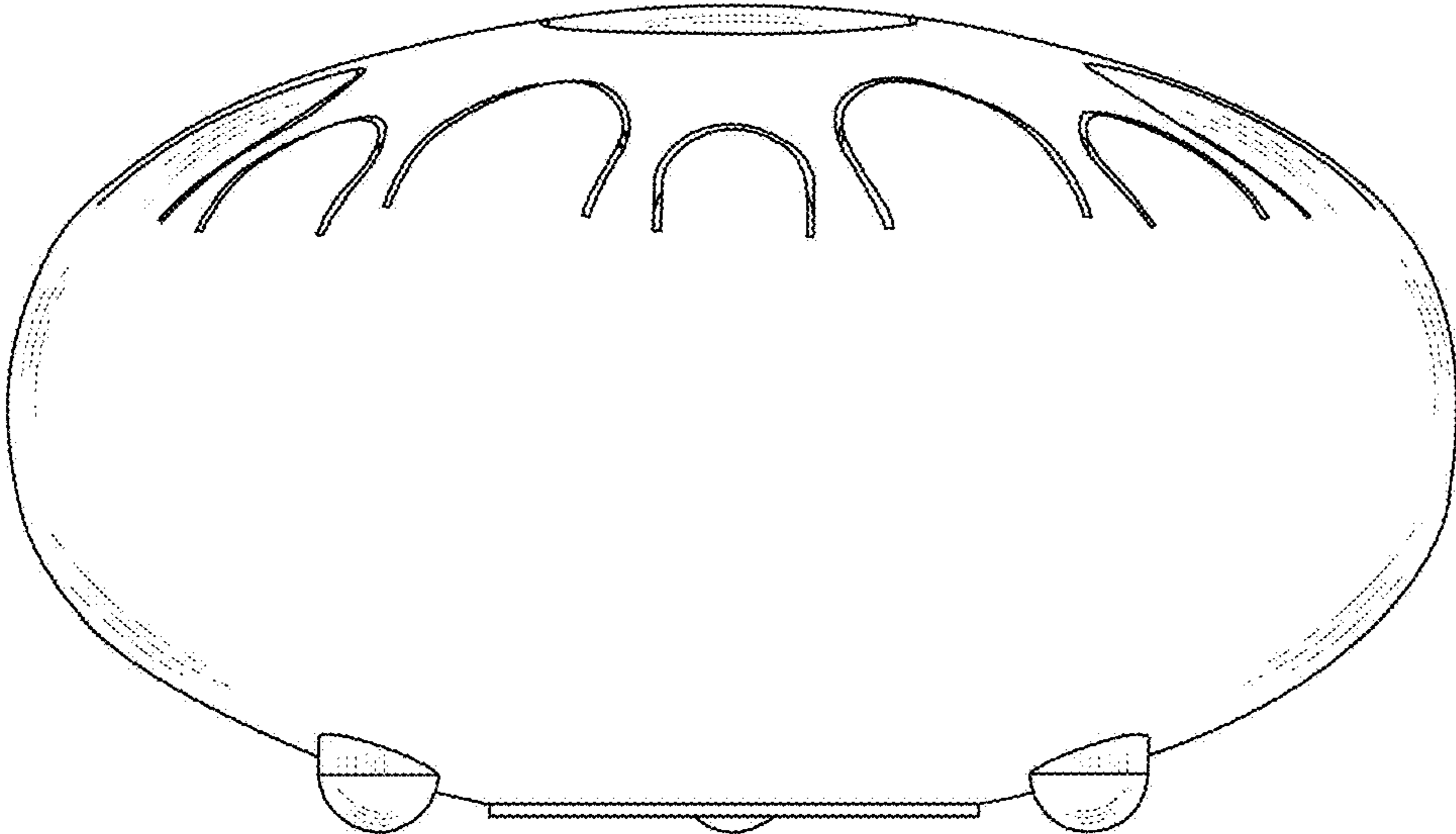


FIG.3

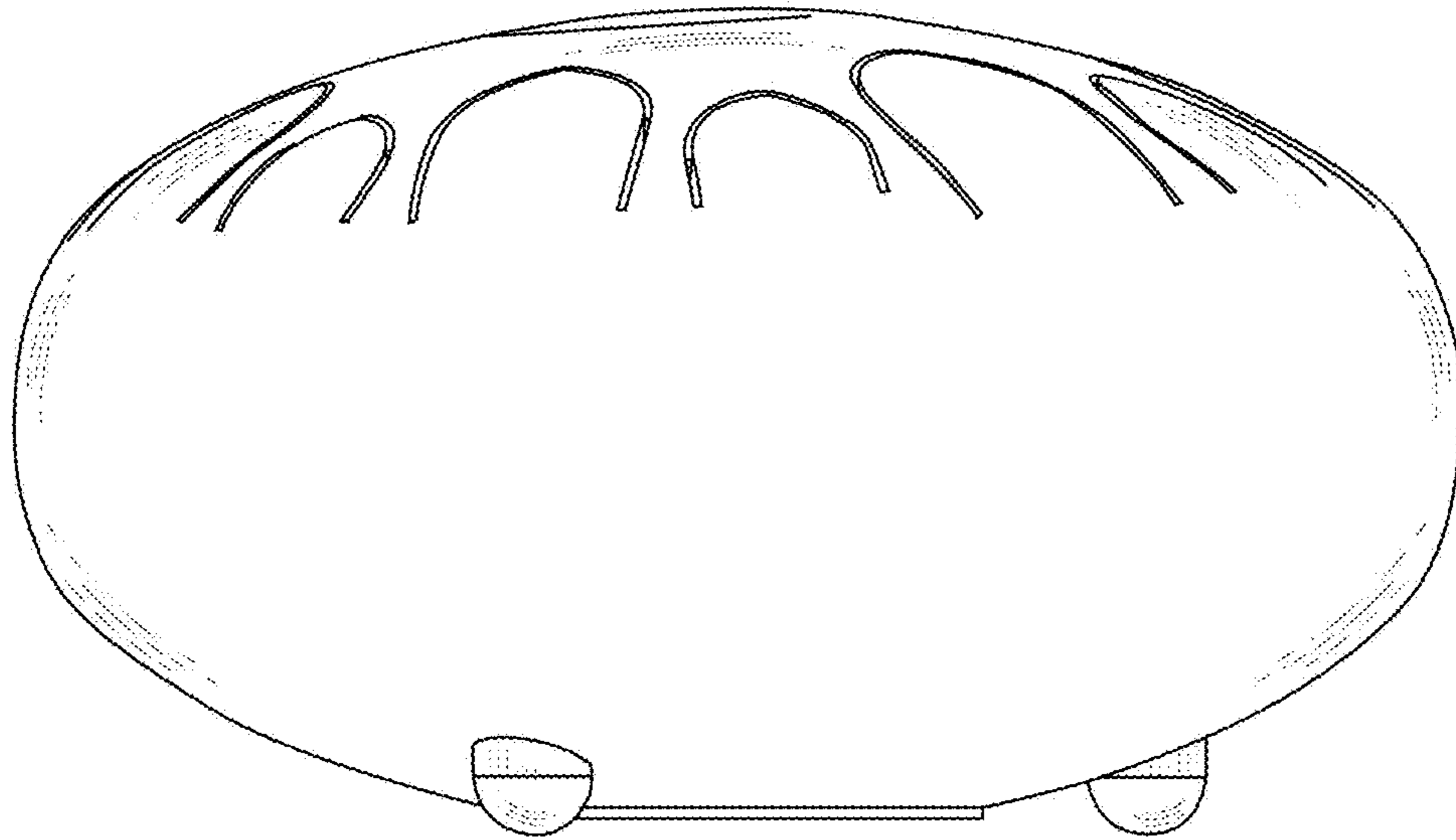


FIG.4

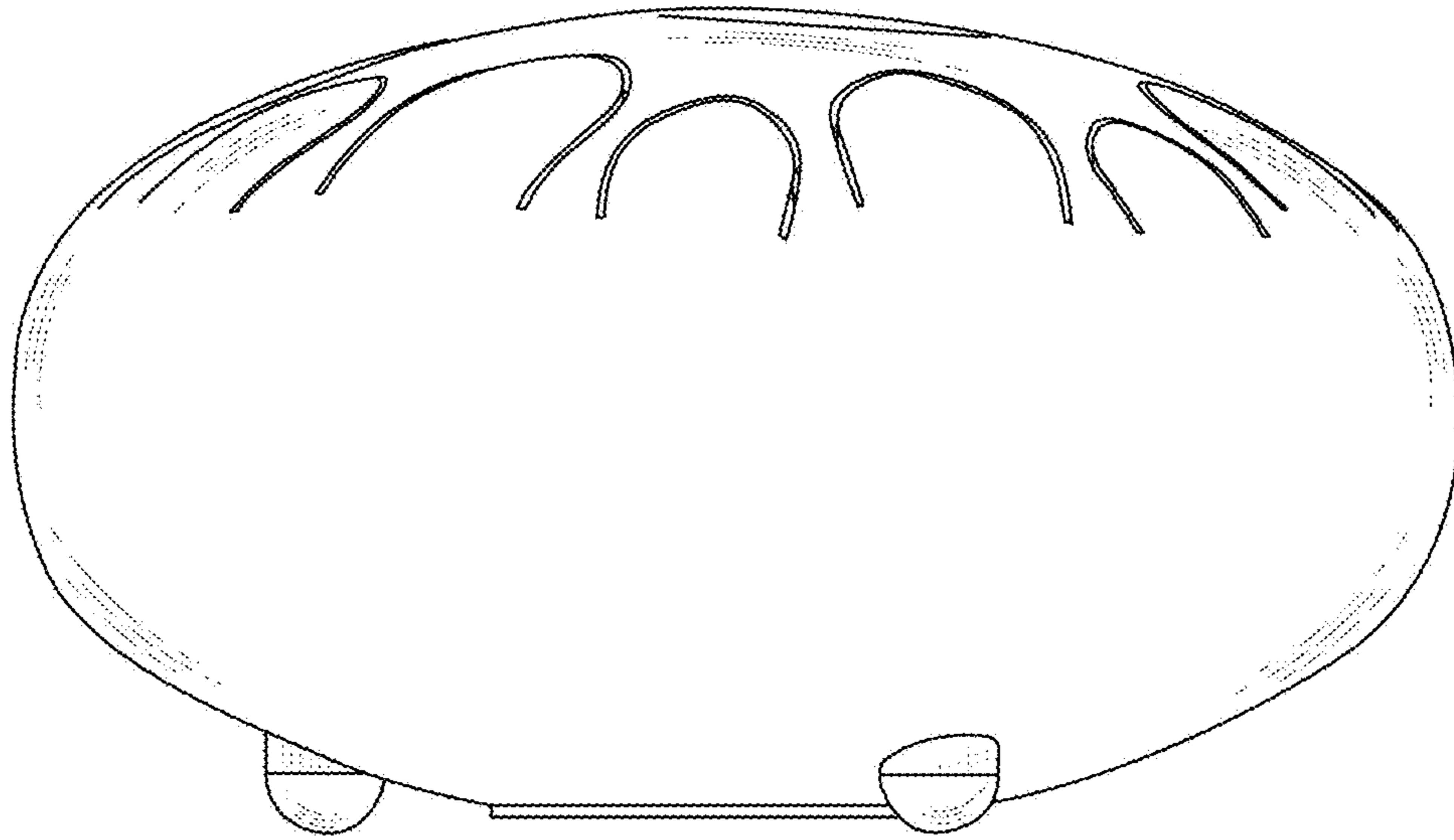


FIG.5

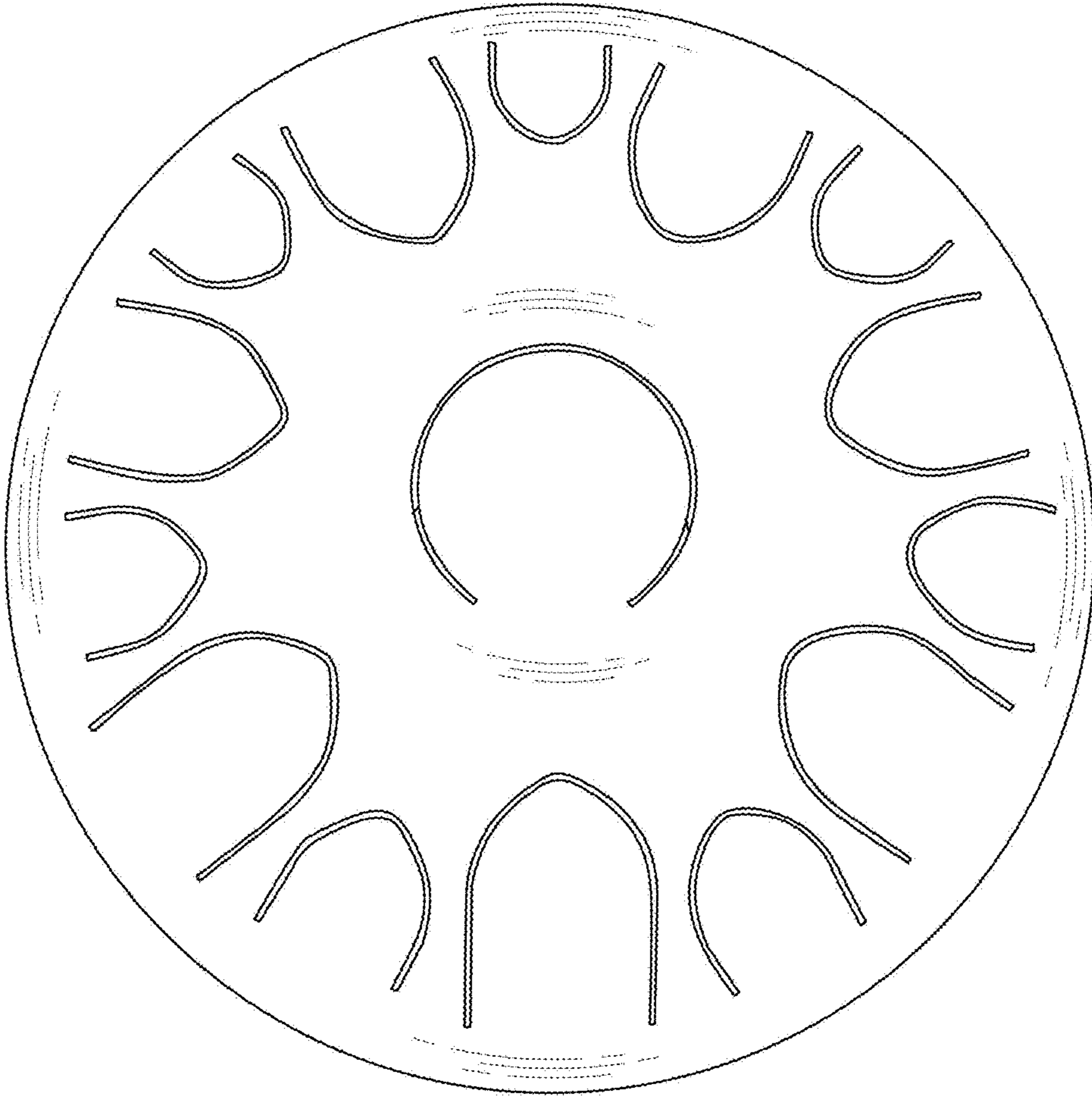


FIG.6

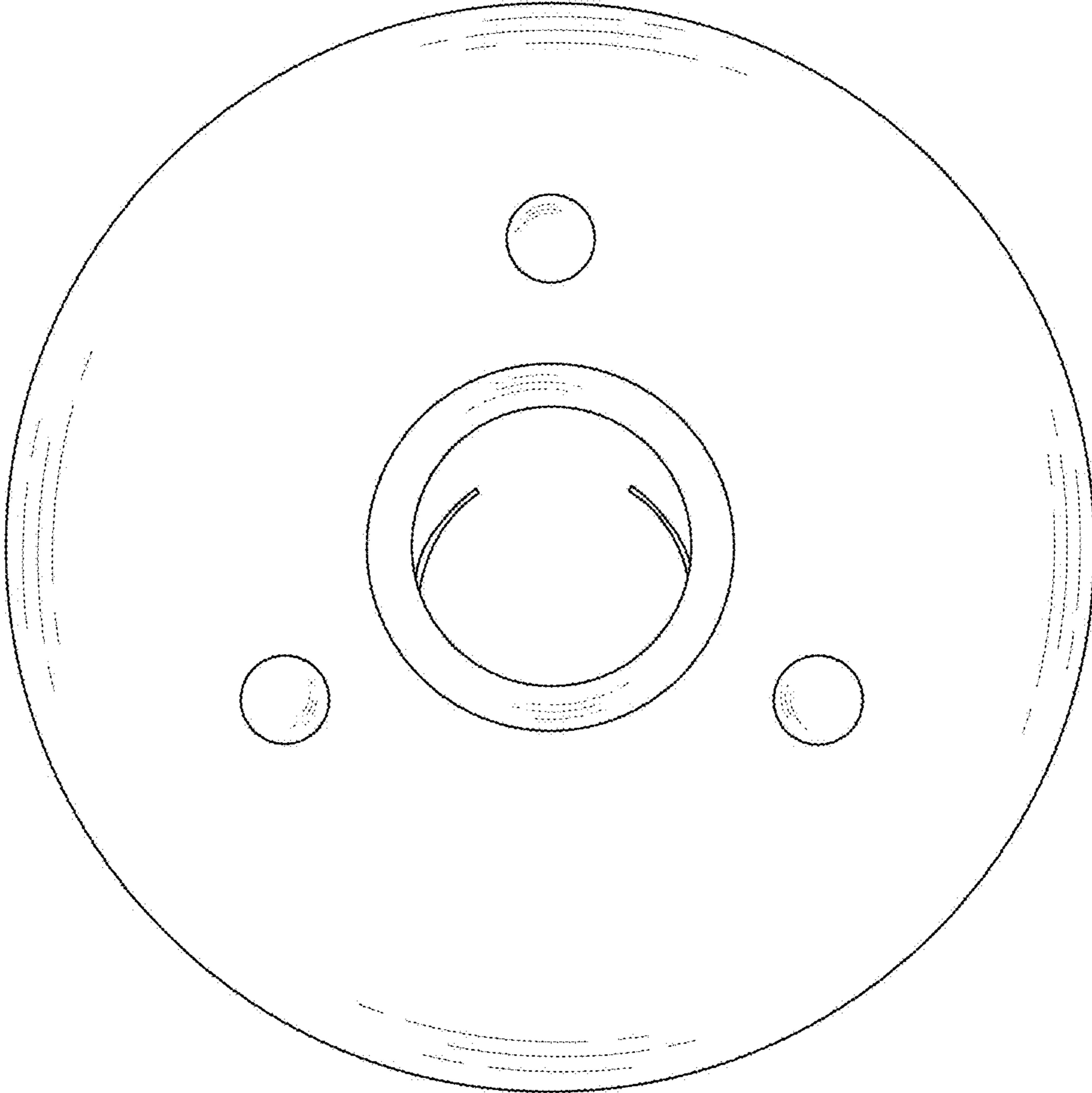


FIG. 7