

US00D961666S

(12) **United States Design Patent** (10) **Patent No.:** **US D961,666 S**
Wang (45) **Date of Patent:** **** Aug. 23, 2022**

(54) **STEEL TONGUE DRUM**

(71) Applicant: **Xianfeng Wang**, Liaoning (CN)

(72) Inventor: **Xianfeng Wang**, Liaoning (CN)

(**) Term: **15 Years**

(21) Appl. No.: **29/769,970**

(22) Filed: **Feb. 9, 2021**

(51) **LOC (13) Cl.** **17-04**

(52) **U.S. Cl.**
USPC **D17/22**

(58) **Field of Classification Search**
USPC D17/22, 99; D21/405
CPC G10D 13/00; G10D 13/01; G10D 13/02;
G10D 13/03; G10D 13/10; G10D 13/12;
G10D 99/00

See application file for complete search history.

(56) **References Cited**

U.S. PATENT DOCUMENTS

D620,041 S *	7/2010	Doe	G10D 13/08	D17/22
D885,478 S *	5/2020	Chen	D17/22	
D897,420 S *	9/2020	Chen	D17/22	
D908,168 S *	1/2021	Chen	D17/22	
D941,386 S *	1/2022	Chen	D17/22	
2015/0364121 A1 *	12/2015	Güngör	G10D 13/08	84/411 R

OTHER PUBLICATIONS

Amazon.com. https://www.amazon.com/dp/B07XYW98RN/ref=sspa_dk_detail_9?spLa=ZW5jcnlwdGVkUXVhbGlmaWVyPUEwV0s5T0NCQkU0MEE0JmVuY3J5cHRIZEikPUEwNTYyOTM2M004OFRKTUVFVvxORiZlbnNyeXB0ZWRBZEikPUEwMDIwNz M5MjIjESzRNUk1WQIFeJndpZGdldE5hbWU9c3BfZGV0YWIsM

iZhY3Rpb249Y2xpY2tSZWRpcmVjdCZkb05vdExvZ0NsaWNrPX RydWU&th=1. "Happybuy Steel Tongue Drum". Sep. 17, 2019 (Year: 2019).*
Amazon.com.

* cited by examiner

Primary Examiner — R. Johnson

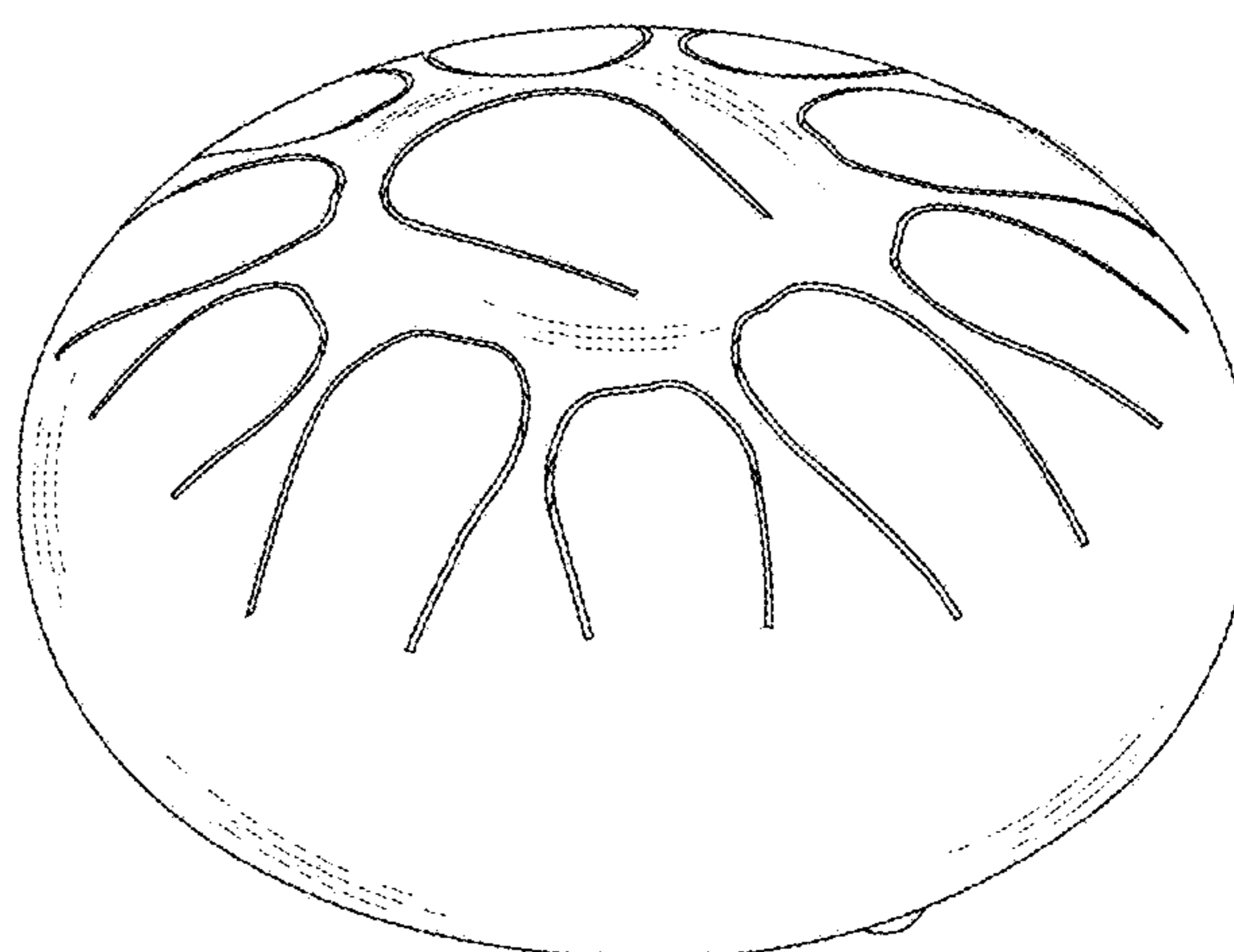
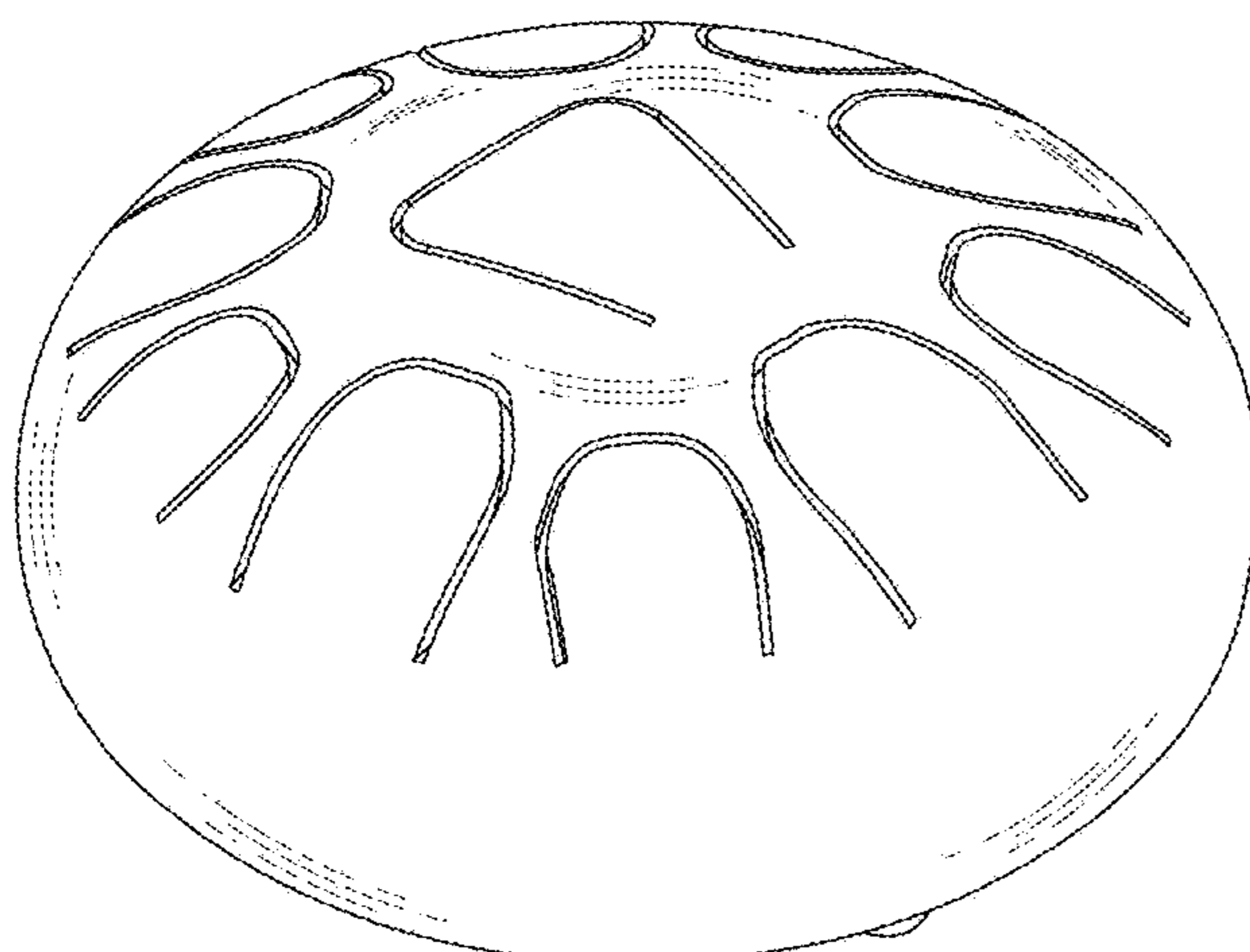
(57) **CLAIM**

The ornamental design for a steel tongue drum, as shown and described.

DESCRIPTION

FIG. 1 is a perspective view of a first embodiment of a steel tongue drum showing my new design;
FIG. 2 is a front elevation view thereof;
FIG. 3 is a rear elevation view thereof;
FIG. 4 is a left side elevation view thereof;
FIG. 5 is a right side elevation view thereof;
FIG. 6 is a top plan view thereof;
FIG. 7 is a bottom plan view thereof;
FIG. 8 is a perspective view of a second embodiment of a steel tongue drum showing my new design;
FIG. 9 is a front elevation view thereof;
FIG. 10 is a rear elevation view thereof;
FIG. 11 is a left side elevation view thereof;
FIG. 12 is a right side elevation view thereof;
FIG. 13 is a top plan view thereof; and,
FIG. 14 is a bottom plan view thereof.

1 Claim, 14 Drawing Sheets



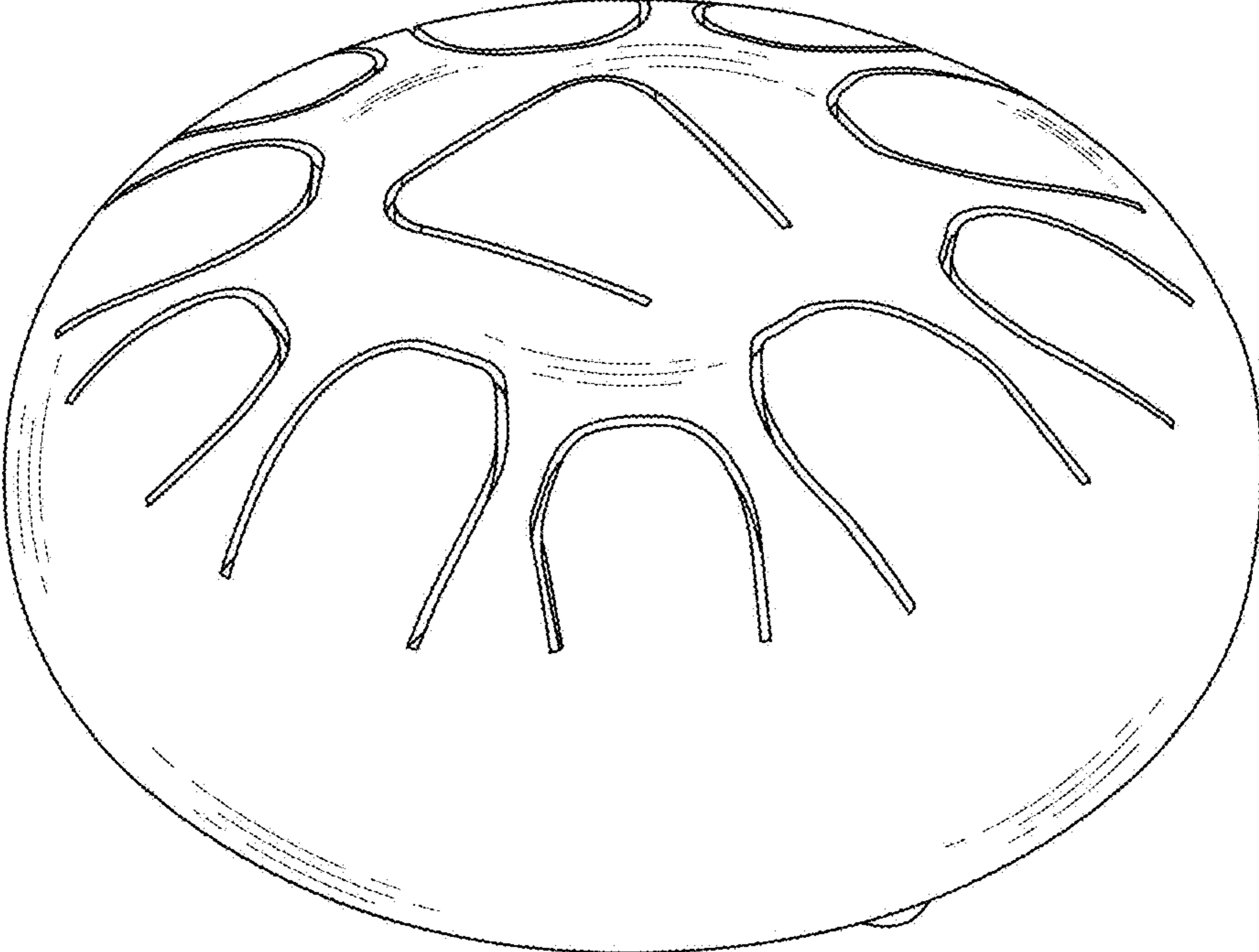


FIG.1

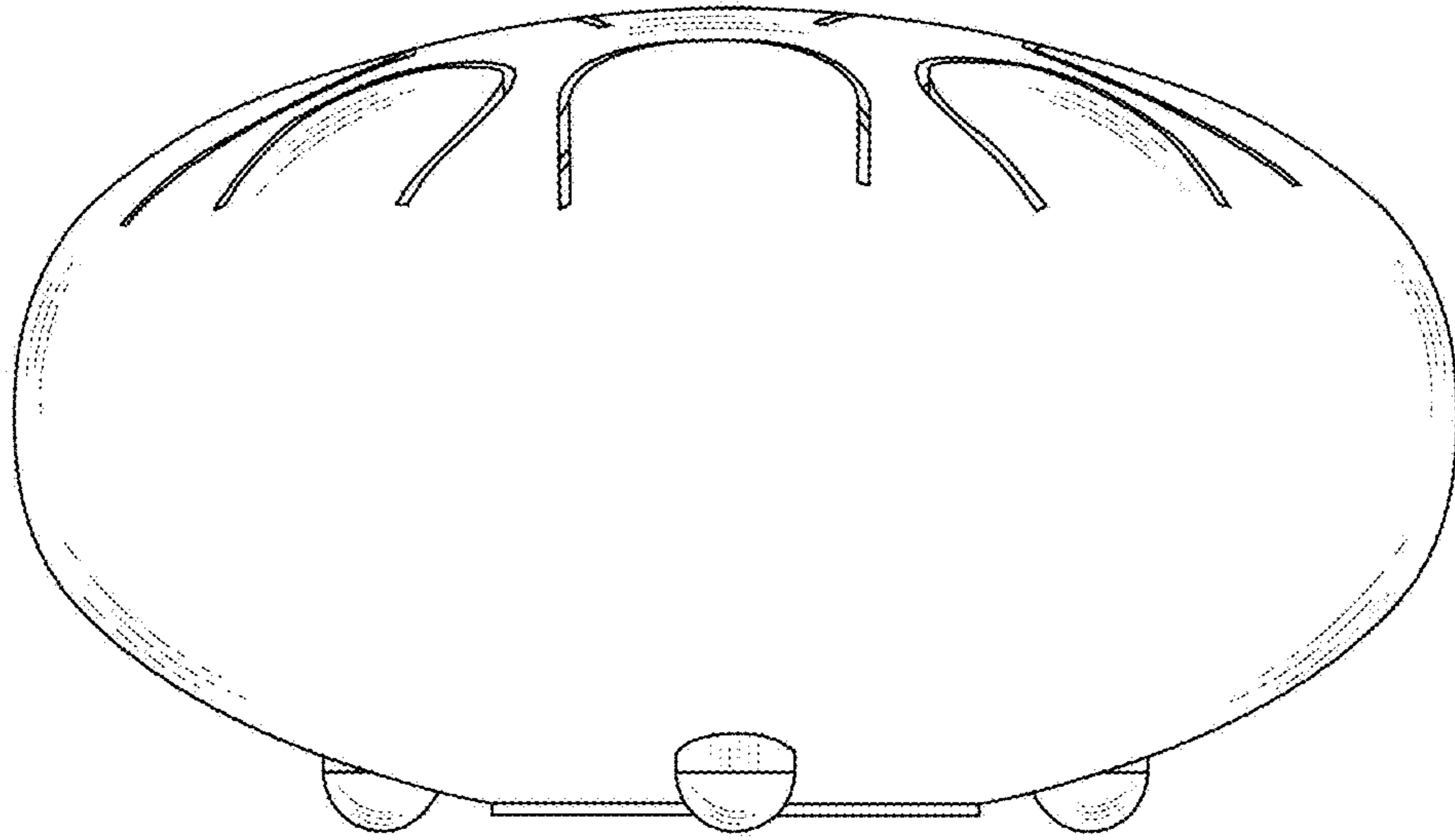


FIG.2

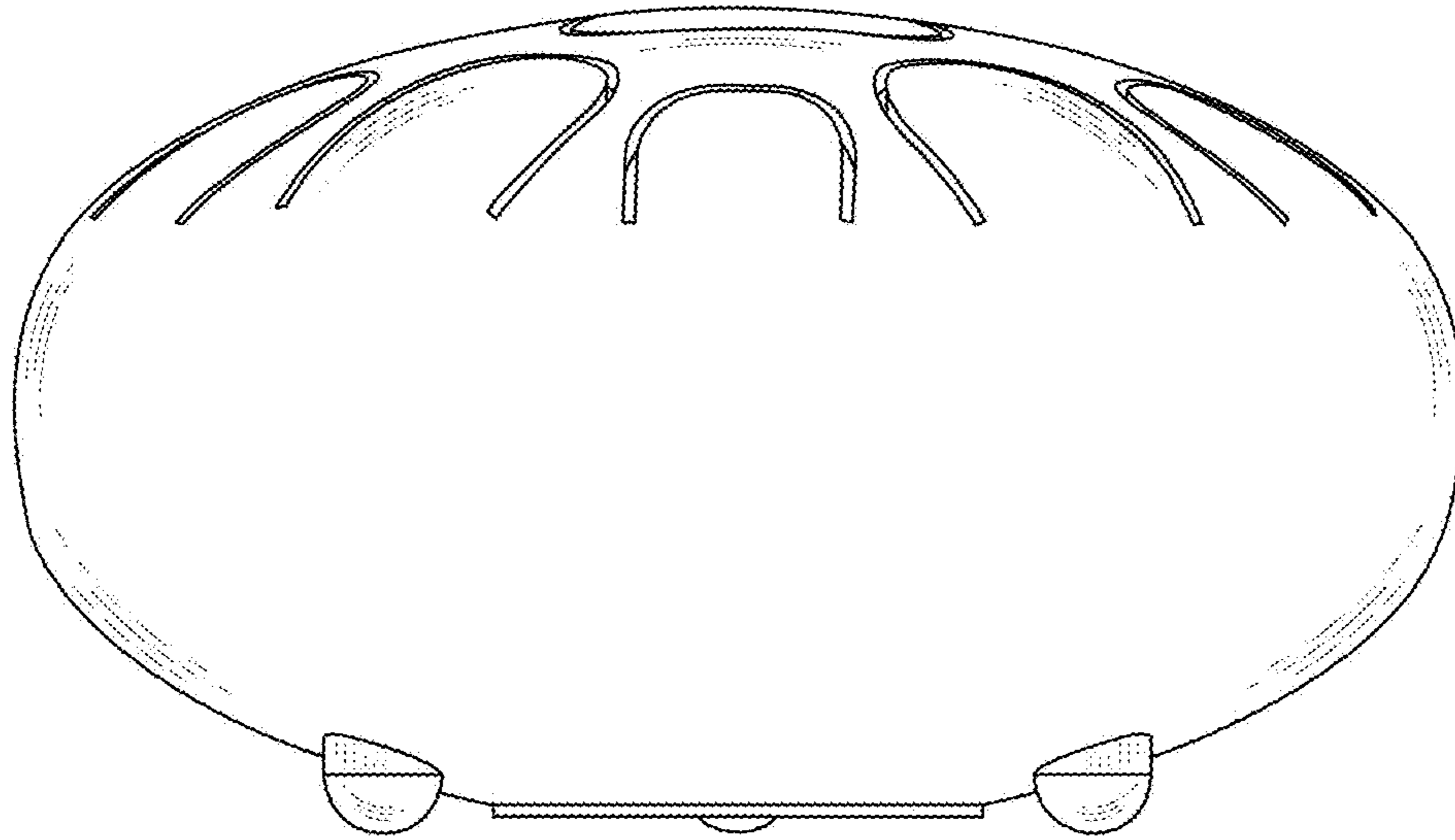


FIG.3

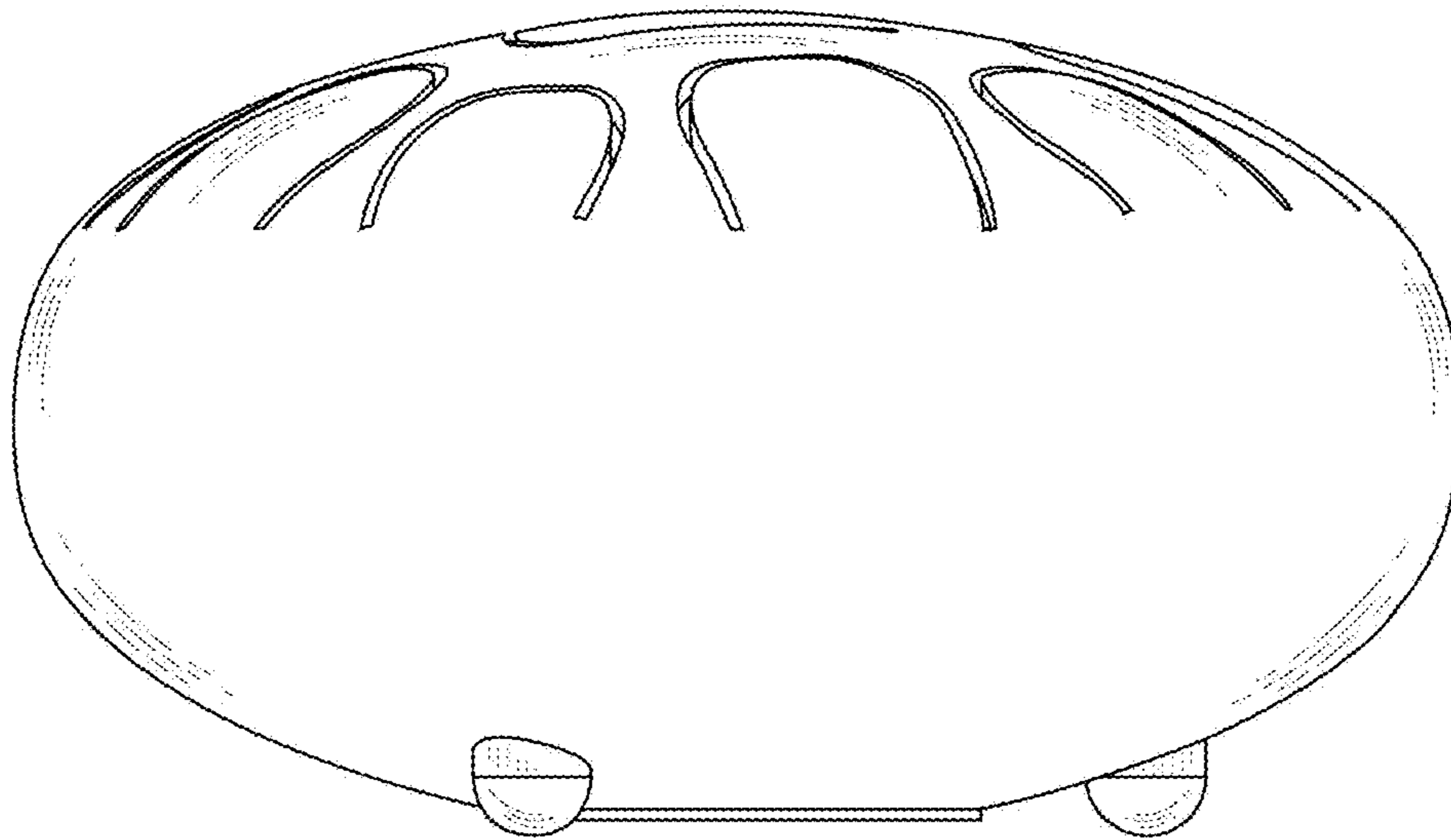


FIG.4

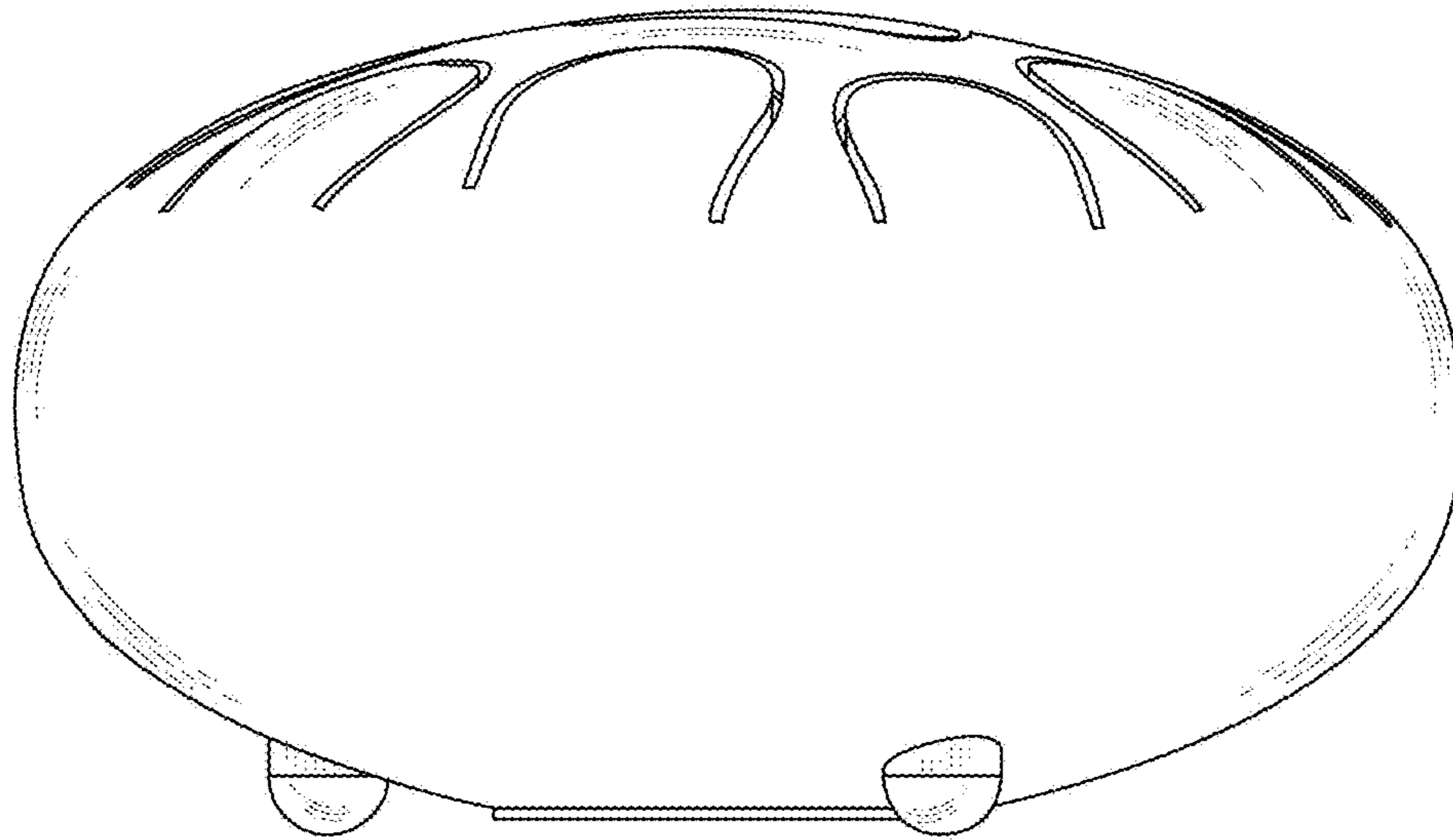


FIG.5

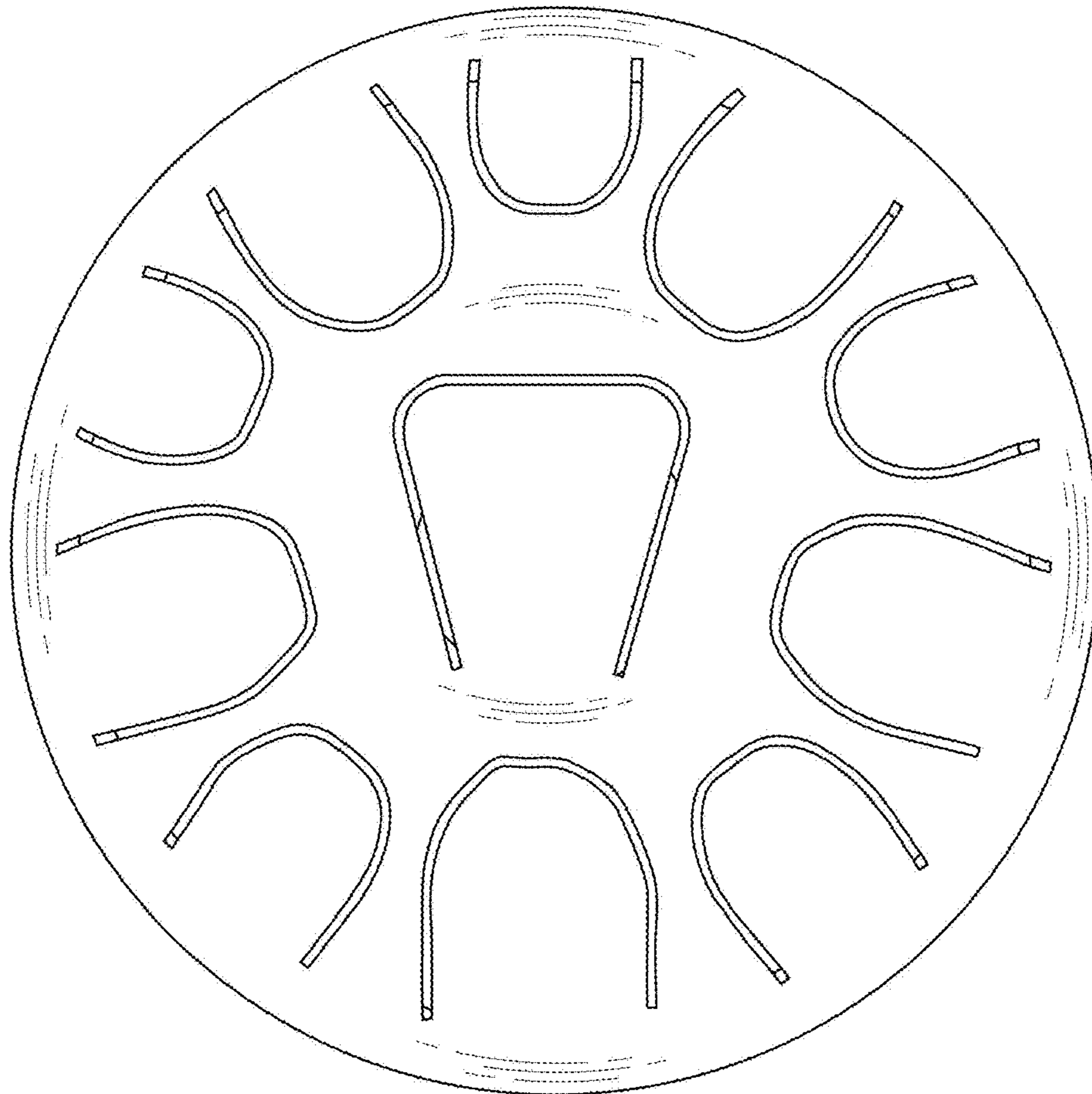


FIG.6

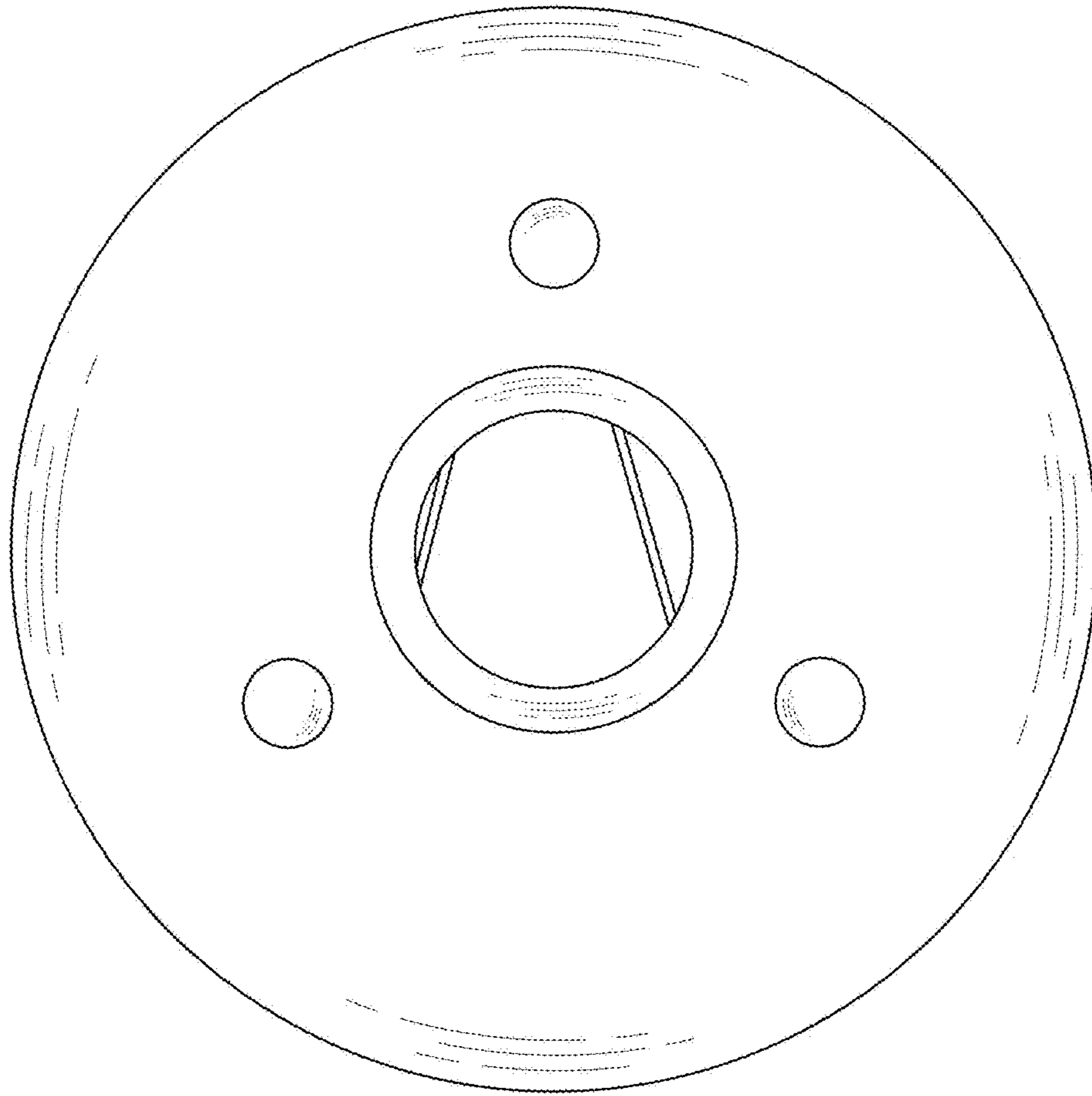


FIG. 7

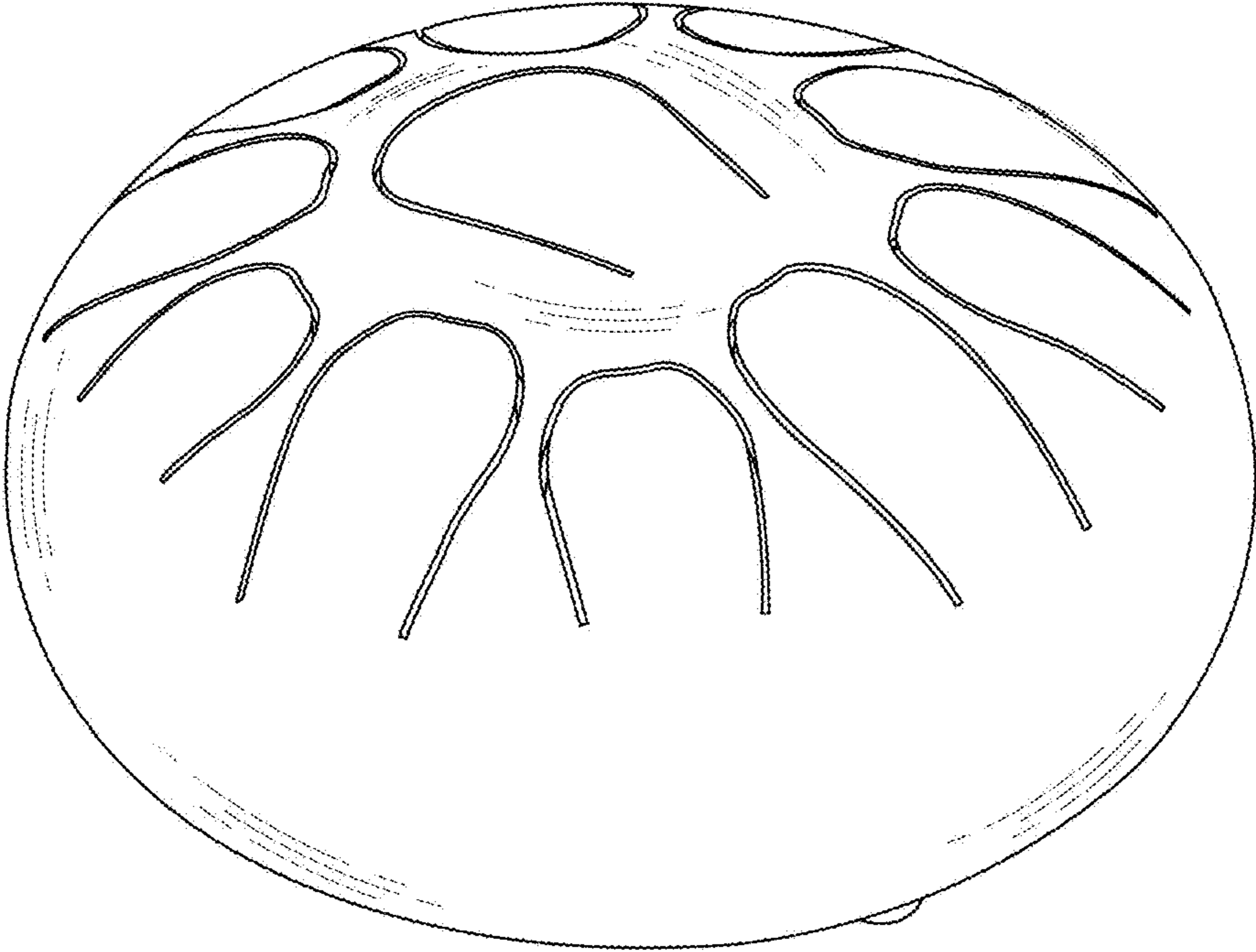


FIG. 8

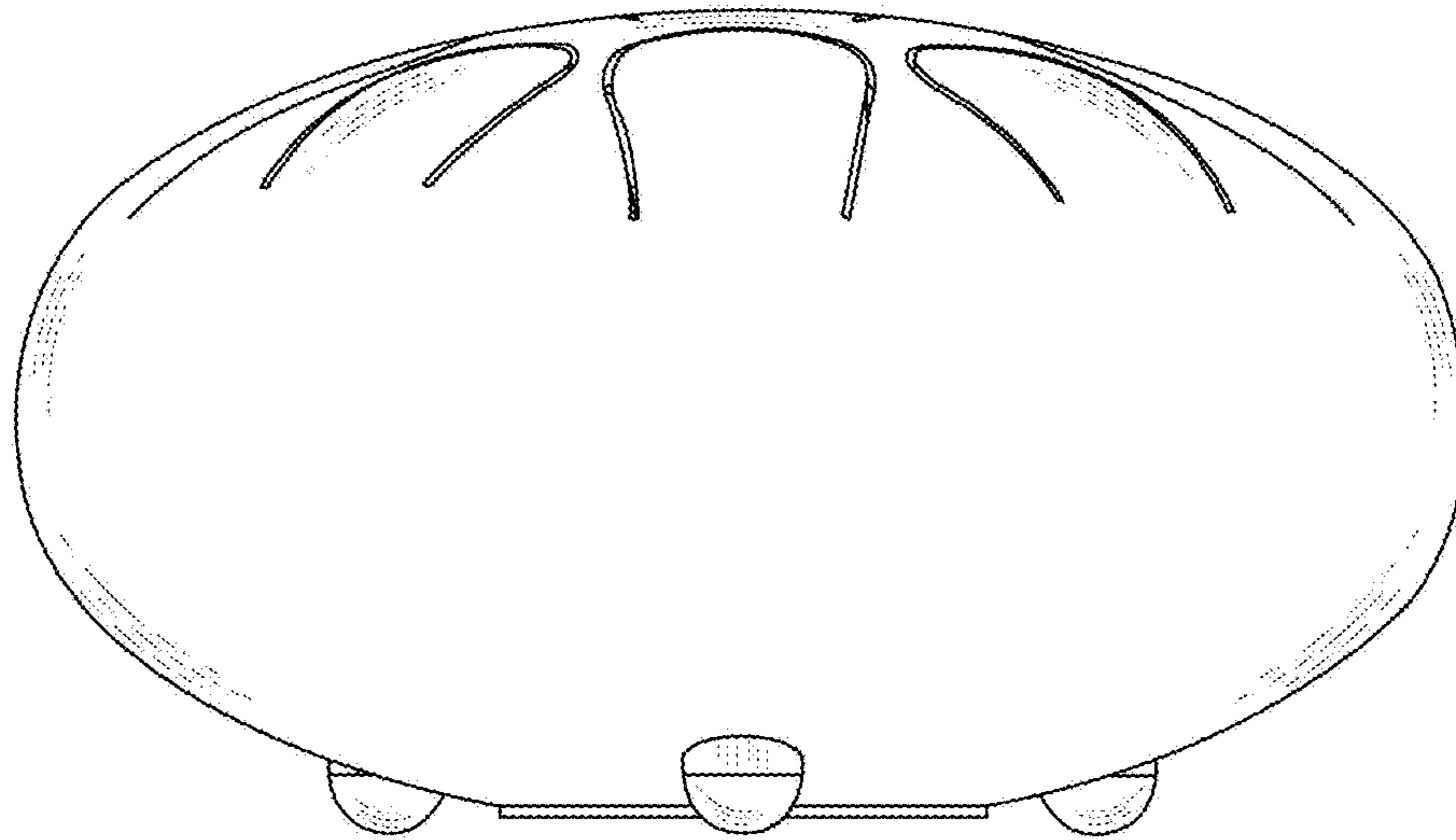


FIG. 9

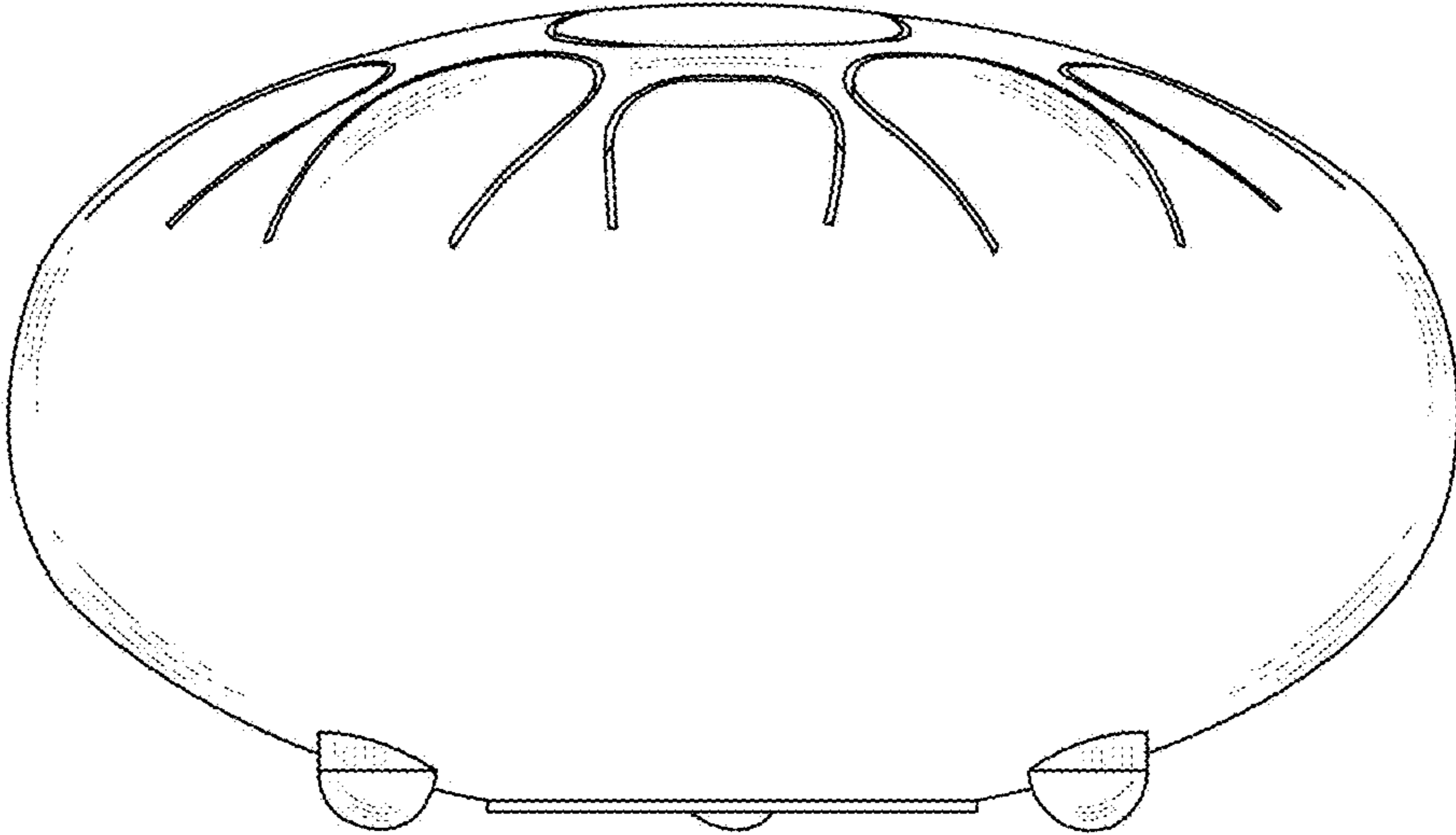


FIG. 10

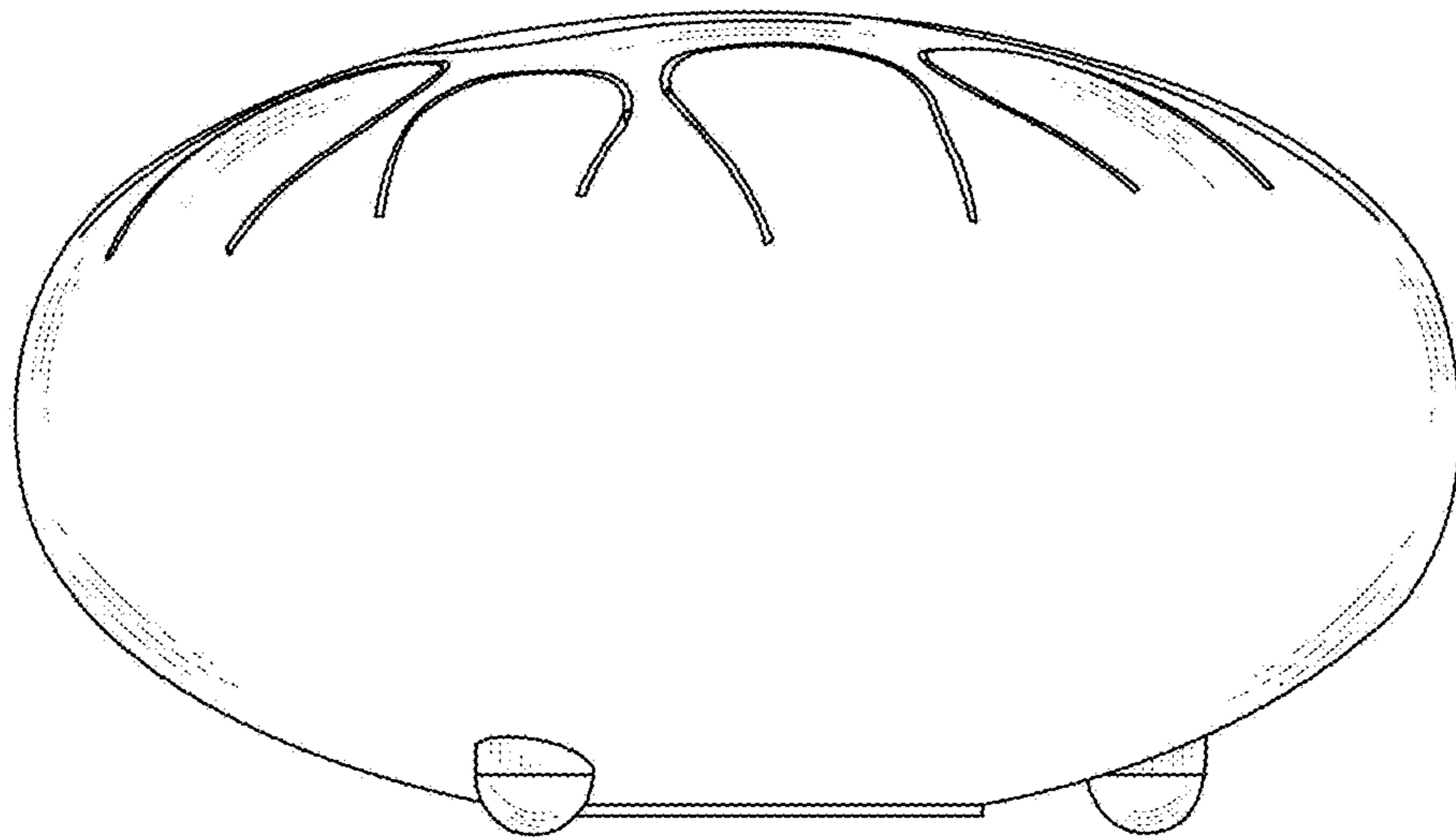


FIG. 11

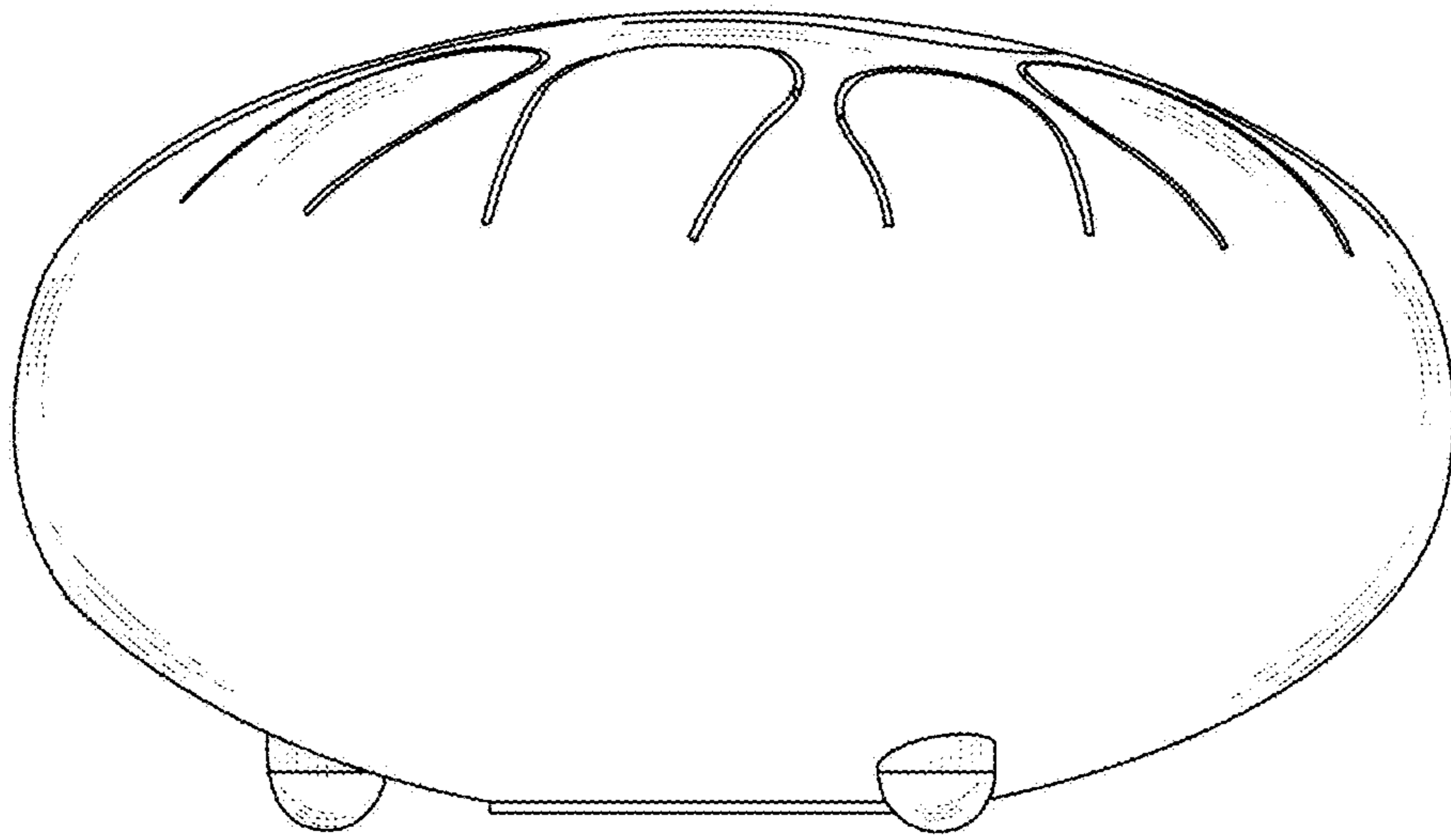


FIG. 12

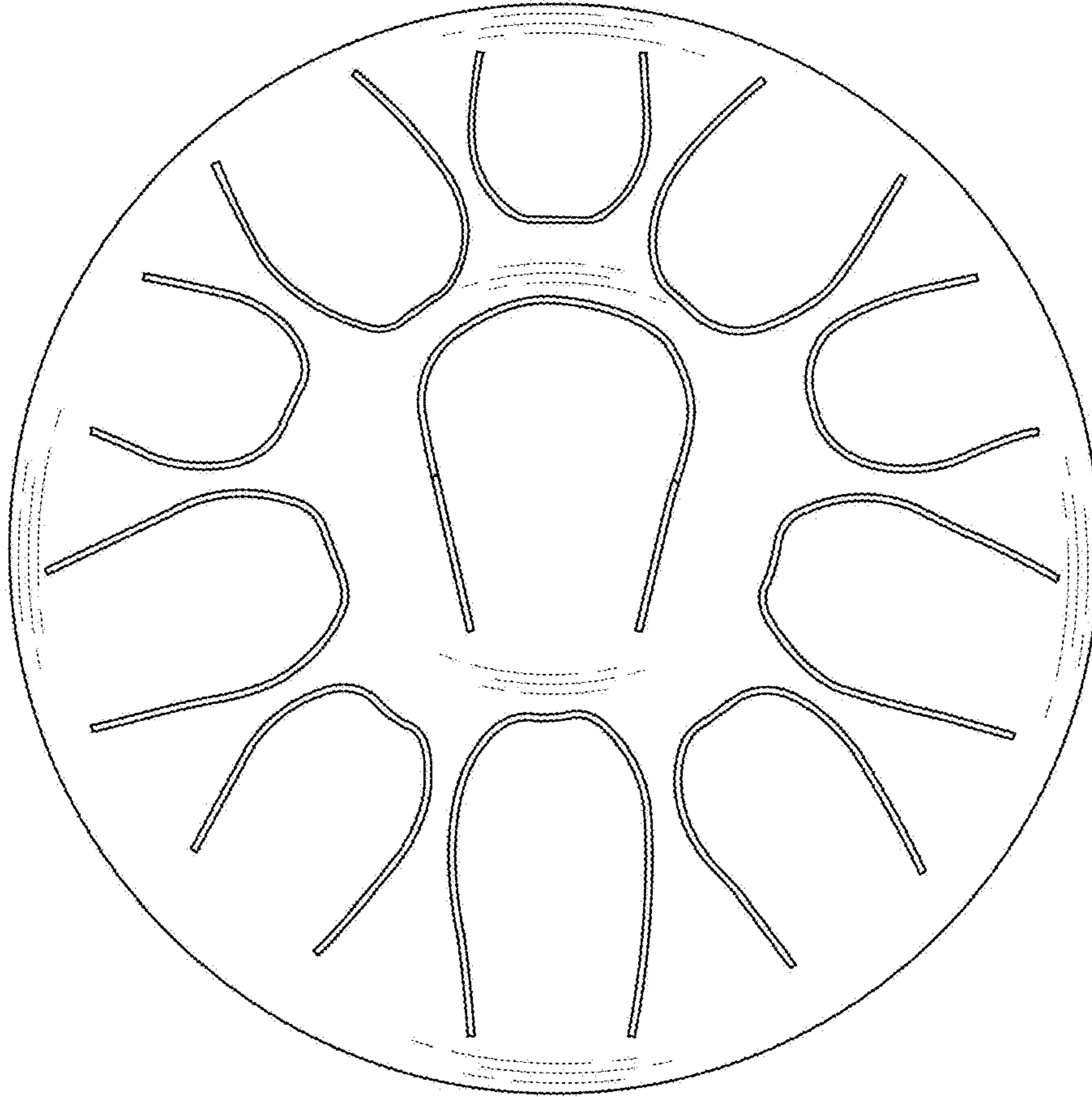


FIG. 13

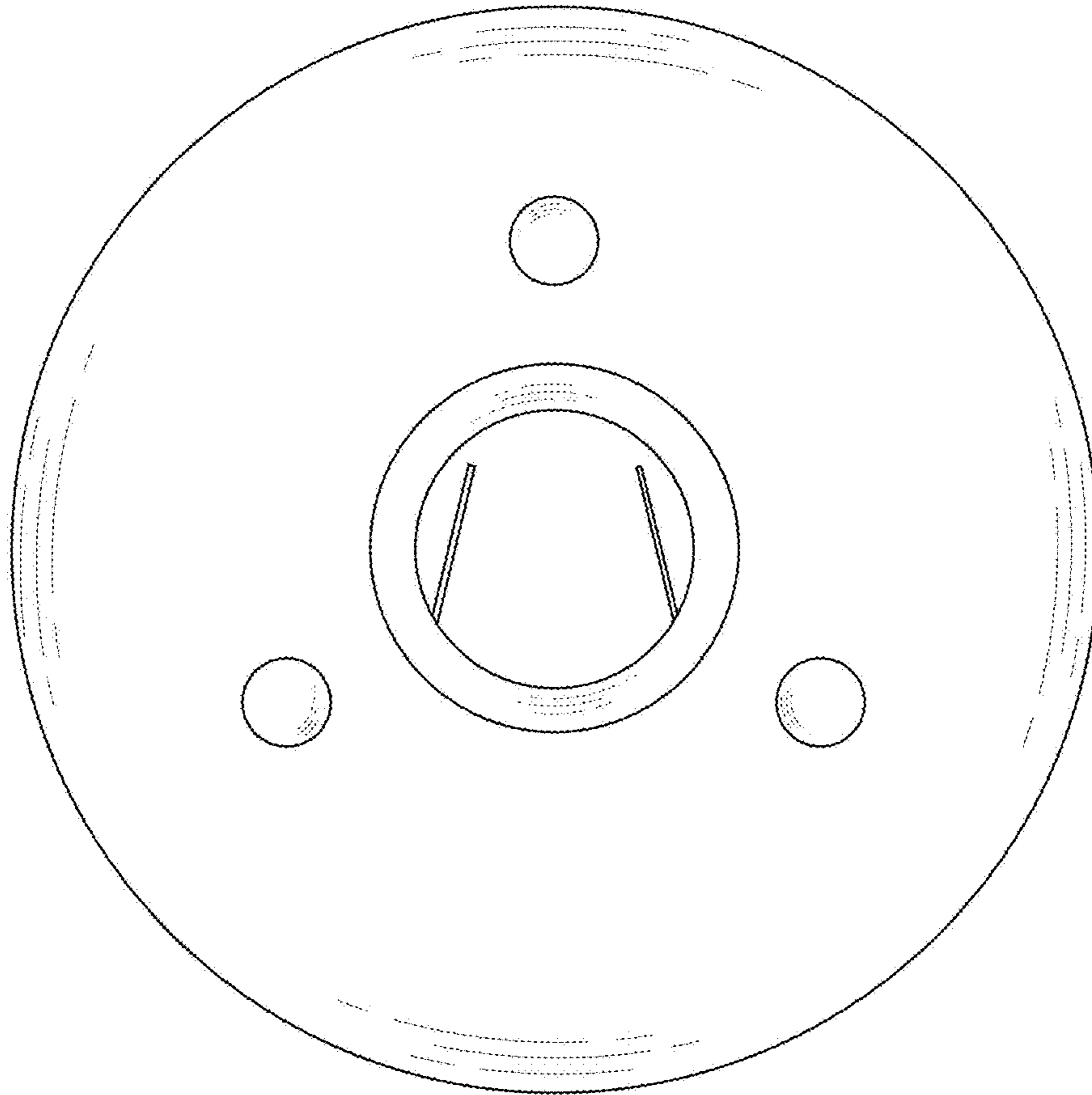


FIG. 14