



US00D961664S

(12) **United States Design Patent** (10) **Patent No.:** **US D961,664 S**
Siu (45) **Date of Patent:** **** Aug. 23, 2022**

(54) **DATA GLASS FRAME**

(71) Applicant: **tooz technologies GmbH**, Aalen (DE)

(72) Inventor: **John Siu**, Sheung Shui (HK)

(73) Assignee: **tooz technologies GmbH**, Aalen (DE)

(**) Term: **15 Years**

(21) Appl. No.: **29/744,697**

(22) Filed: **Jul. 30, 2020**

(30) **Foreign Application Priority Data**

Feb. 2, 2020 (DE) 40 2020 000 065.1

(51) **LOC (13) Cl.** **16-06**

(52) **U.S. Cl.**
USPC **D16/326**

(58) **Field of Classification Search**
USPC D16/300, 315, 319, 320, 321, 323, 325,
D16/326, 327, 329

CPC G02C 7/10; G02C 5/008; G02C 5/12
See application file for complete search history.

(56) **References Cited**

U.S. PATENT DOCUMENTS

D552,154 S *	10/2007	Arnette	D16/325
D616,486 S *	5/2010	Carlow	D16/325
D624,952 S *	10/2010	Carlow	D16/325
D641,774 S *	7/2011	Sheldon	D16/326
D646,316 S *	10/2011	Zhao	D16/309
D658,701 S *	5/2012	Iinuma	D16/326
D667,482 S *	9/2012	Healy	D16/326
D682,922 S *	5/2013	Stables	D16/326
D687,087 S *	7/2013	Iurilli	D16/326
D723,093 S	2/2015	Li	
D814,552 S *	4/2018	Cox	D16/309
D849,822 S *	5/2019	Marron	D16/309
D856,402 S	8/2019	Miera	
D865,855 S *	11/2019	Ballsieper	D16/311

D888,819 S	6/2020	Berger	
D899,493 S	10/2020	Cohen et al.	
D936,131 S	11/2021	Su et al.	
2010/0045928 A1*	2/2010	Levy G02C 11/10 351/158

(Continued)

OTHER PUBLICATIONS

Tooz smart glasses, posted at tectales.com, posting date Mar. 30, 2021, [online], [site visited Feb. 15, 2022]. Available from Internet, URL: <https://tectales.com/bio-tech-it/how-to-use-of-smart-glasses-in-everyday-clinical-practice.html> (Year: 2021).*

(Continued)

Primary Examiner — Maria J. Edwards

(74) *Attorney, Agent, or Firm* — Walter Ottesen, P.A.

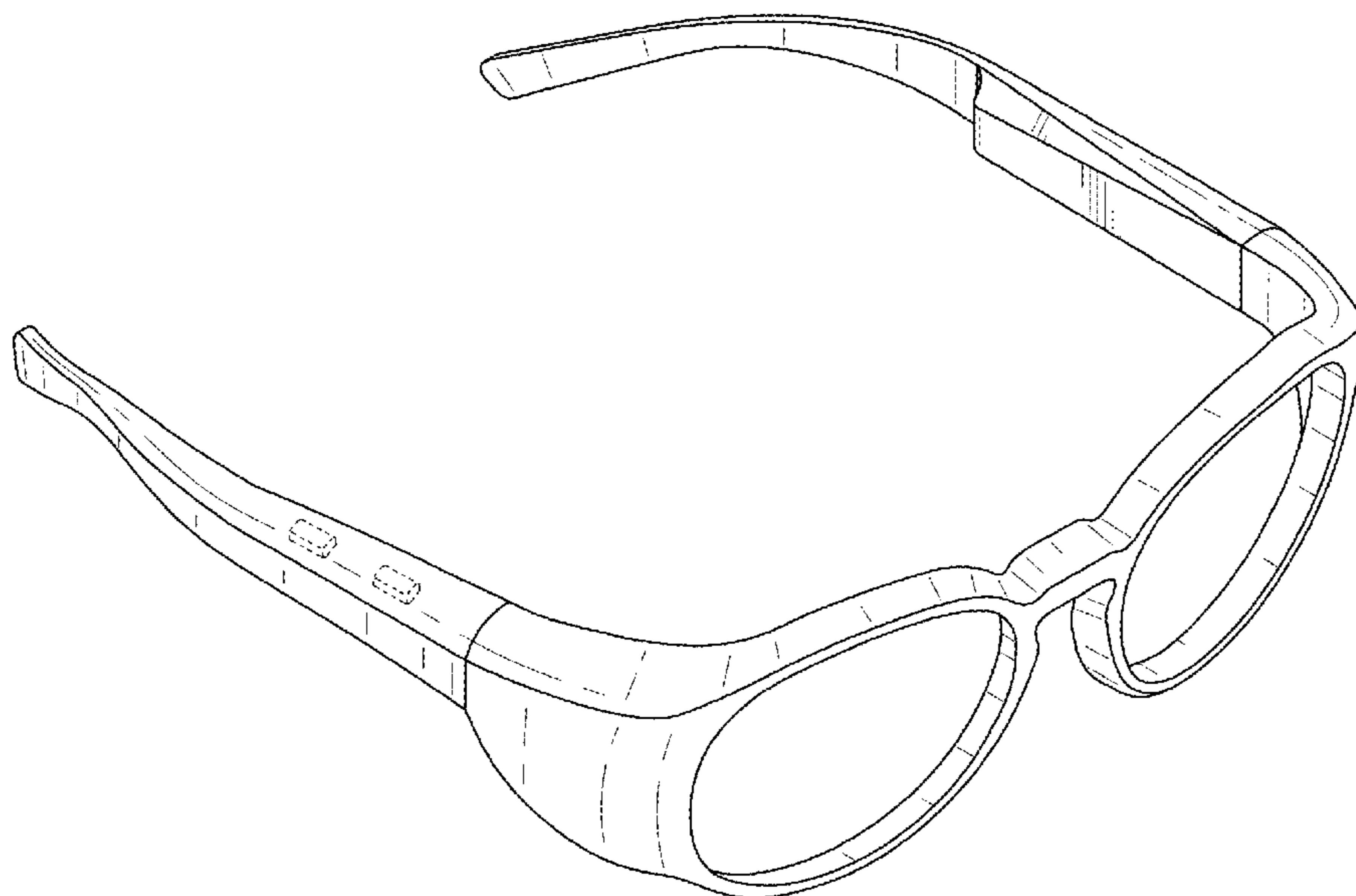
(57) **CLAIM**

The ornamental design for a data glass frame, as shown and described.

DESCRIPTION

FIG. 1 is a first perspective view of the data glass frame of my new design;
FIG. 2 is a front elevation view of the data glass frame of FIG. 1;
FIG. 3 is a rear elevation view of the data glass frame of FIG. 1;
FIG. 4 is a top plan view of the data glass frame of FIG. 1;
FIG. 5 is a bottom plan view of the data glass frame of FIG. 1;
FIG. 6 is a left side elevation view of the data glass frame of FIG. 1; and,
FIG. 7 is a right side elevation view of the data glass frame of FIG. 1.
The broken lines illustrate portions of the article and form no part of the claimed design.

1 Claim, 4 Drawing Sheets



(56)

References Cited

U.S. PATENT DOCUMENTS

2013/0063695 A1* 3/2013 Hsieh G02C 5/2209
351/113
2016/0252750 A1* 9/2016 Schomann G02C 5/22
351/121

OTHER PUBLICATIONS

Zeiss Optical System for Smart Glasses, posted at businesswire.com, posting date Feb. 19, 2016, [online], [site visited Feb. 15, 2022]. Available from Internet, URL: <https://www.businesswire.com/news/home/20160219005364/en/ZEISS-Shows-Next-Generation-Optical-System-for-Smart-Glasses-at-2016-MWC-in-Barcelona> (Year: 2016).*

U.S. Appl. No. 29/744,681, filed Jul. 30, 2020, Data Glass Frame, tooz technologies GmbH, Thomas Trauth.

U.S. Appl. No. 29/744,686, filed Jul. 30, 2020, Data Glass Frame, tooz technologies GmbH, Georg Vollmer.

U.S. Appl. No. 29/744,693, filed Jul. 30, 2020, Data Glass Frame, tooz technologies GmbH, Thomas Trauth.

U.S. Appl. No. 29/744,697, filed Jul. 30, 2020, Data Glass Frame, tooz technologies GmbH, John Siu.

Bosch smartglasses, posted at bosch-sensortec.com, posting date not given, [online], [site visited Dec. 10, 2021]. Available from Internet, URL: <https://www.bosch-sensortec.com/news/smartglasses.html> (Year: 2021).

Tooz smart glasses, posted at youtube.com, posting date Jan. 13, 2021, [online], [site visited Dec. 10, 2021]. Available from Internet, URL: <https://www.youtube.com/watch?v=1n7qw6YGIjI> (Year: 2021).

Vuzix Blade, posted at vuzix.com, posting date not given, [online], [site visited Dec. 10, 2021]. Available from Internet, URL: <https://www.vuzix.com/products/vuzix-blade-smart-glasses-upgraded> (Year: 2021).

* cited by examiner

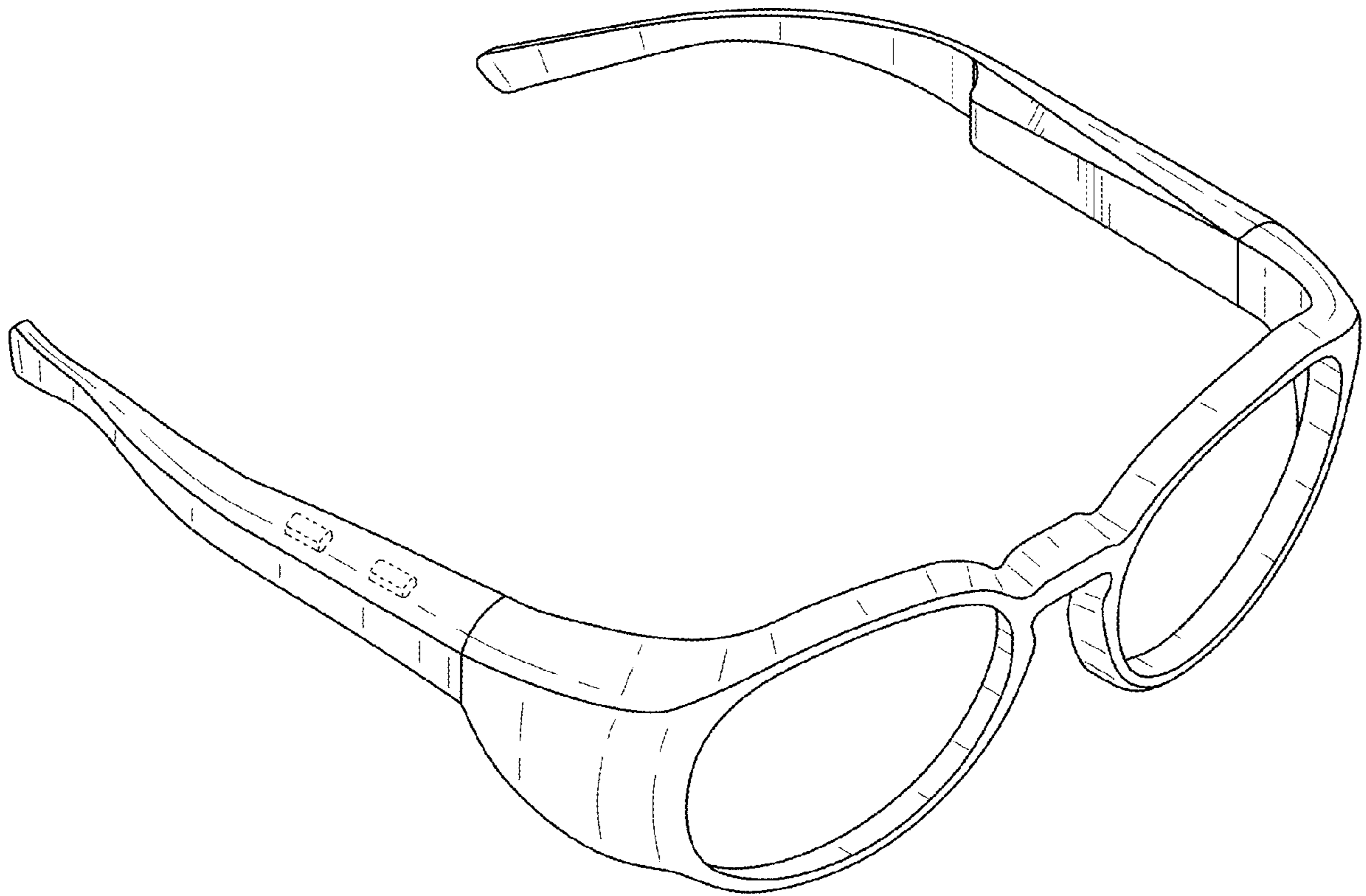


FIG. 1

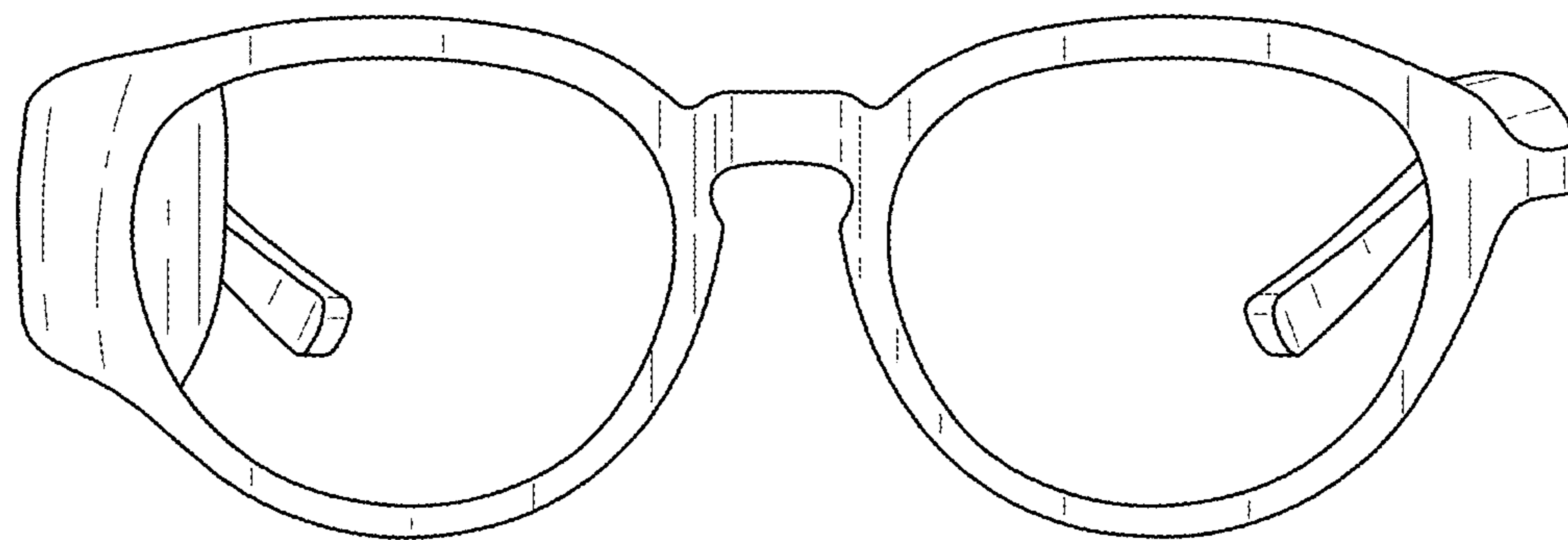


FIG. 2

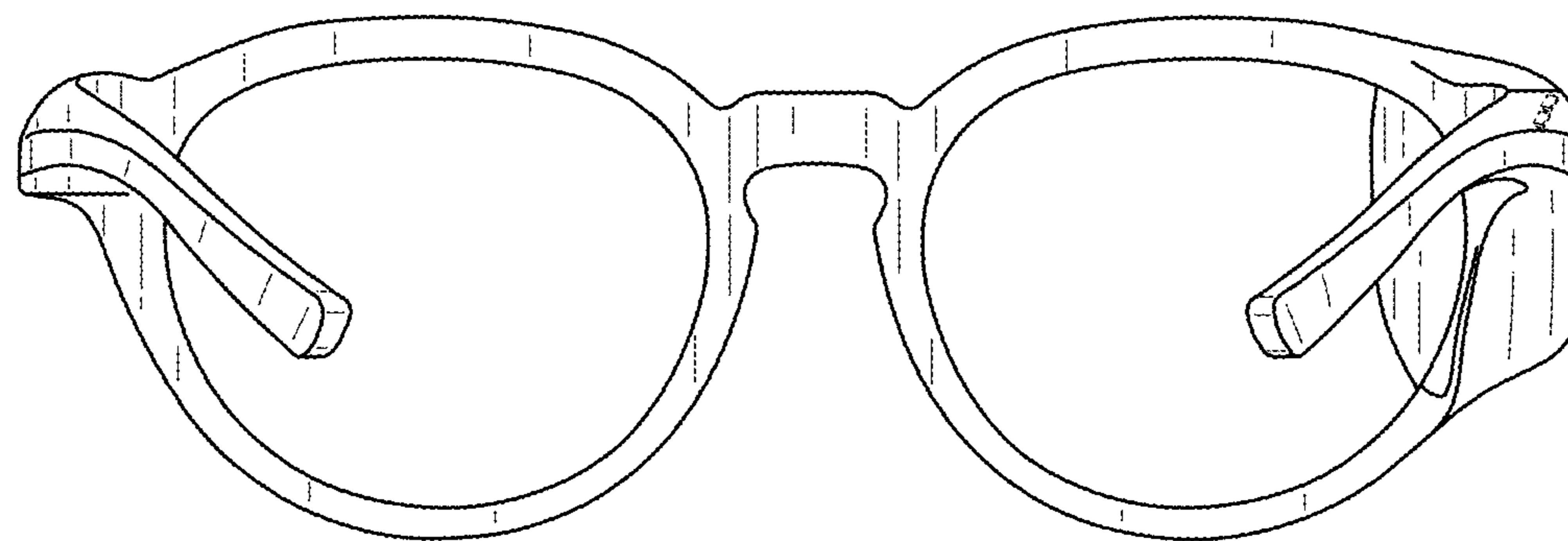


FIG. 3

FIG. 4

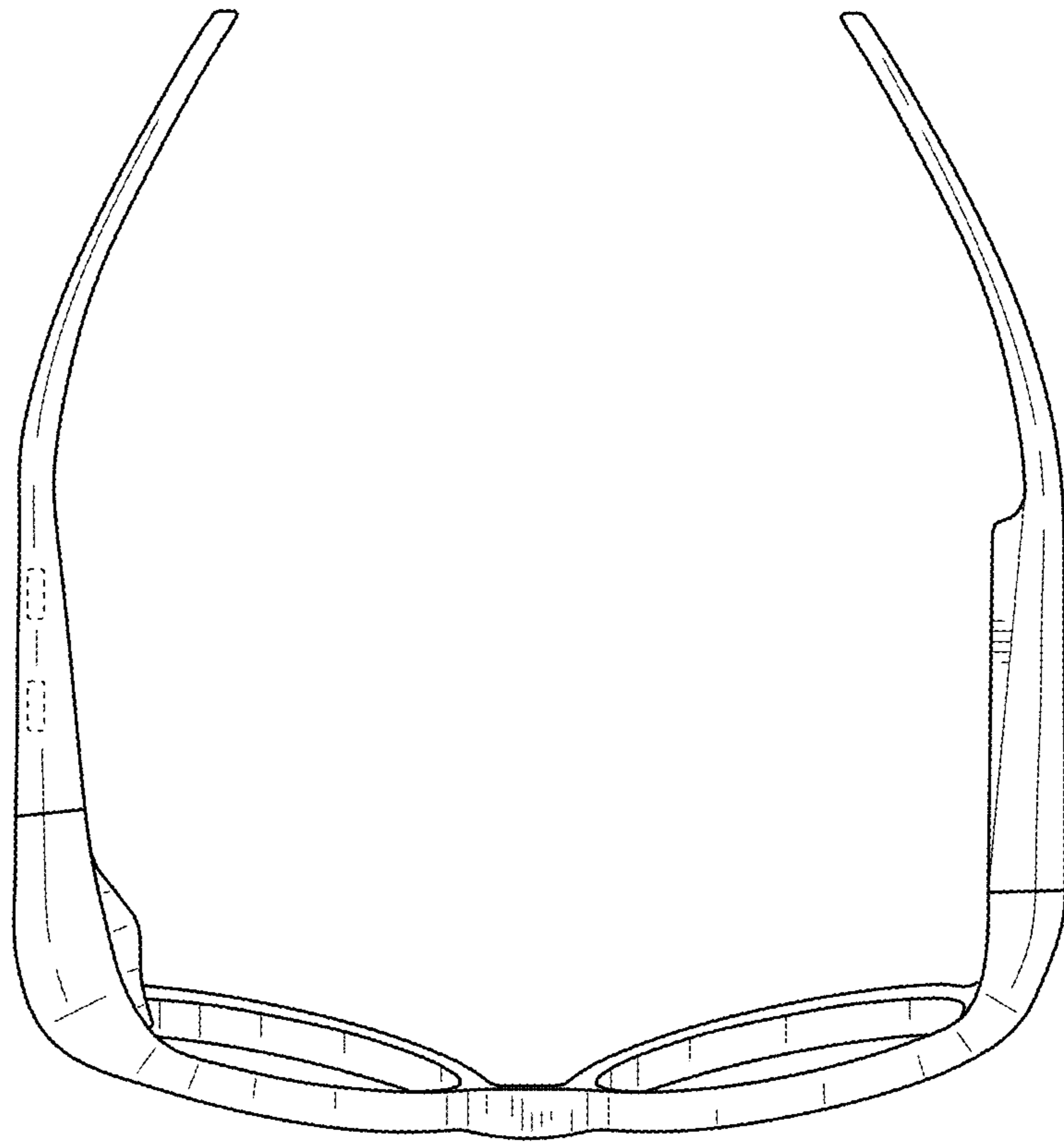
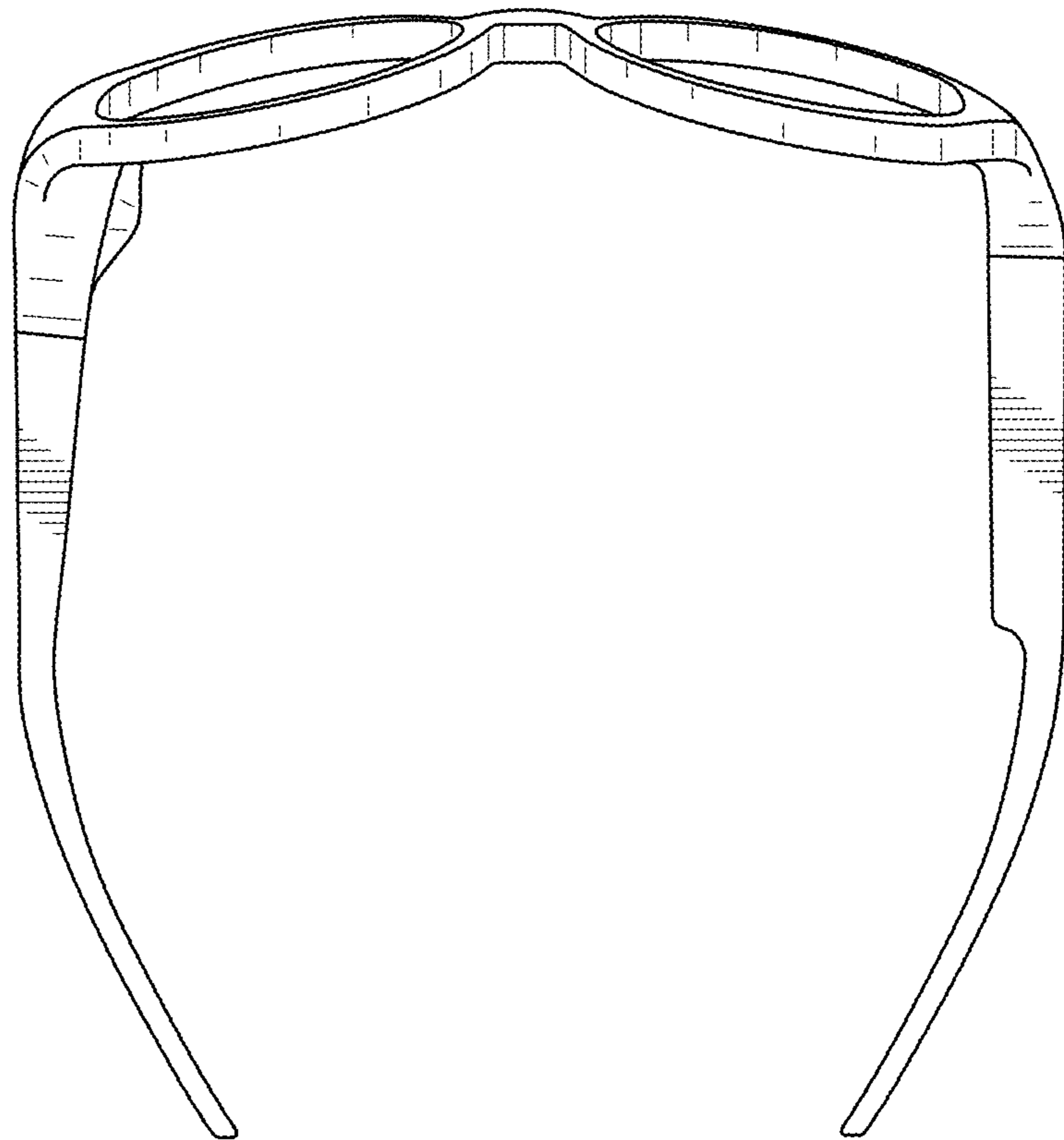


FIG. 5



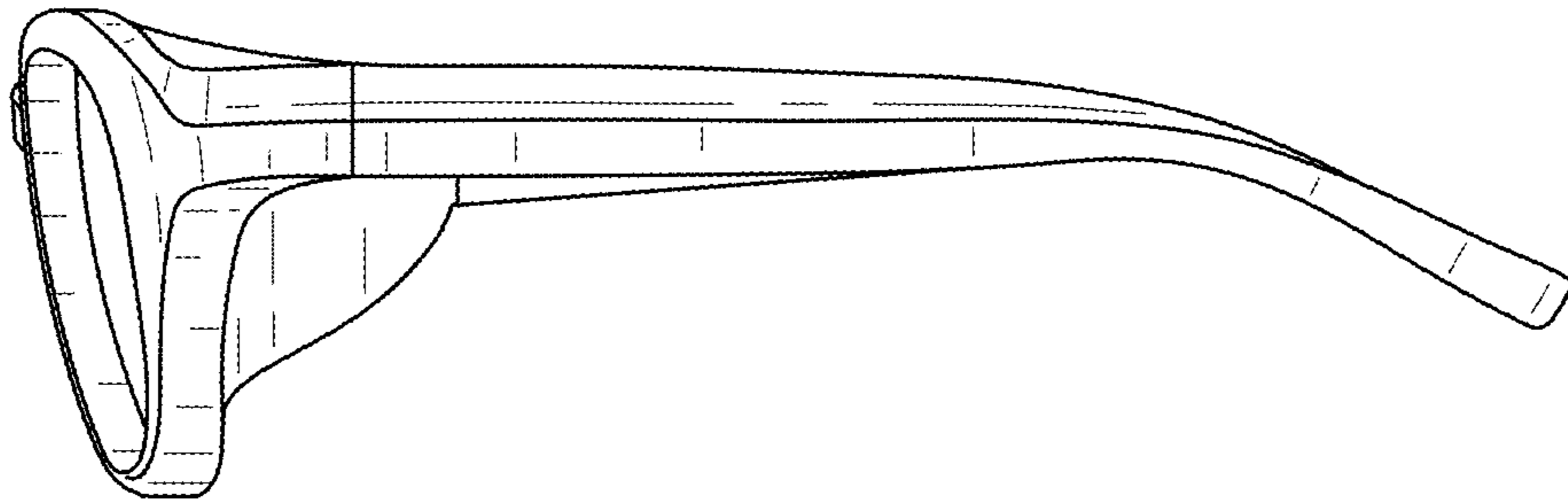


FIG. 6

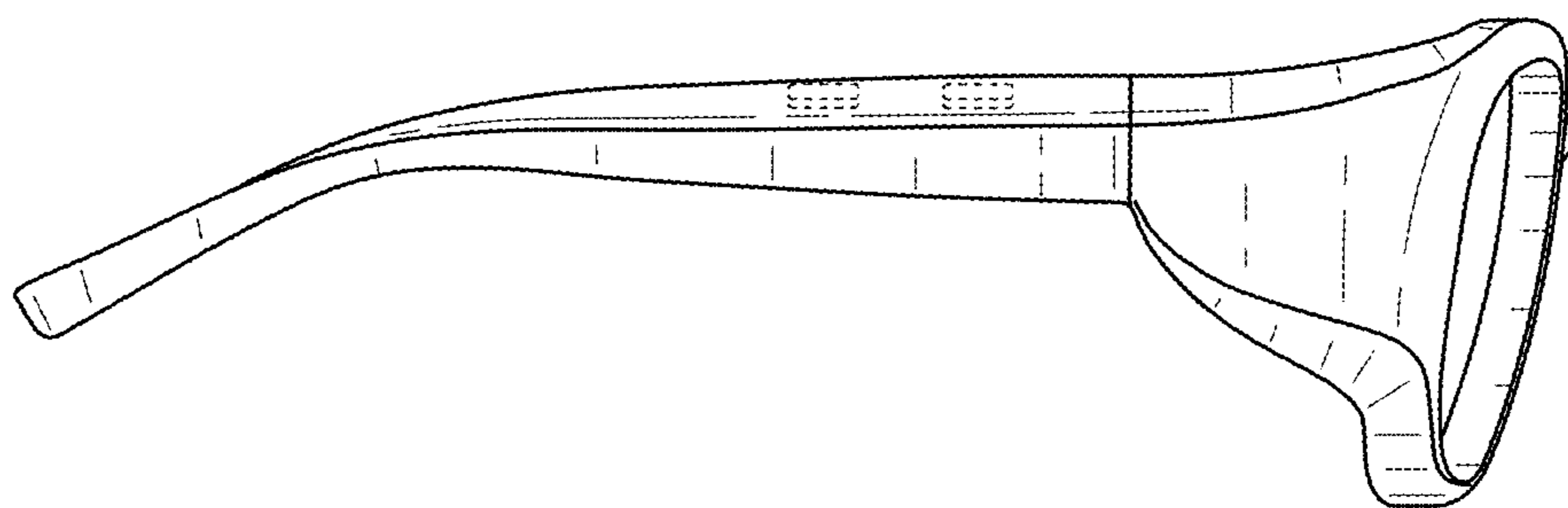


FIG. 7