



US00D961653S

(12) **United States Design Patent** (10) **Patent No.:** **US D961,653 S**  
**Dai** (45) **Date of Patent:** **\*\* Aug. 23, 2022**

(54) **FOLDABLE CAMERA STAND**

D934,851 S \* 11/2021 Kaiser ..... D16/242  
D940,124 S \* 1/2022 Bae ..... D14/253  
D945,517 S \* 3/2022 Wu ..... D16/242

(71) Applicant: **Shenzhen intelliARK Technology Co., Ltd**, Shenzhen (CN)

(72) Inventor: **Yuncheng Dai**, Shenzhen (CN)

(\*\*) Term: **15 Years**

(21) Appl. No.: **29/769,633**

(22) Filed: **Feb. 7, 2021**

(30) **Foreign Application Priority Data**

Aug. 18, 2020 (CN) ..... 202030472166.X

(51) **LOC (13) Cl.** ..... **16-05**

(52) **U.S. Cl.**  
USPC ..... **D16/244**

(58) **Field of Classification Search**  
USPC ..... D8/354, 355, 363, 373, 382, 383, 394;  
D14/224; D16/219, 237-241, 243, 242,  
D16/244, 245-250  
CPC ..... F16M 11/14; G03B 17/54  
See application file for complete search history.

(56) **References Cited**

**U.S. PATENT DOCUMENTS**

D256,869 S \* 9/1980 Arnone ..... D19/91  
D670,284 S \* 11/2012 Choi ..... D14/253  
D766,229 S \* 9/2016 Manibog ..... D14/252  
D798,872 S \* 10/2017 Gonen ..... D14/447  
D843,433 S \* 3/2019 Balmer ..... D16/242

**OTHER PUBLICATIONS**

Phone Holder, intelliARK, [https://intelliark.en.alibaba.com/ru\\_RU/](https://intelliark.en.alibaba.com/ru_RU/),  
retrieved Apr. 21, 2022 (Year: 2022).\*

\* cited by examiner

*Primary Examiner* — Richard Kearney  
*Assistant Examiner* — Benjamin M Weeks

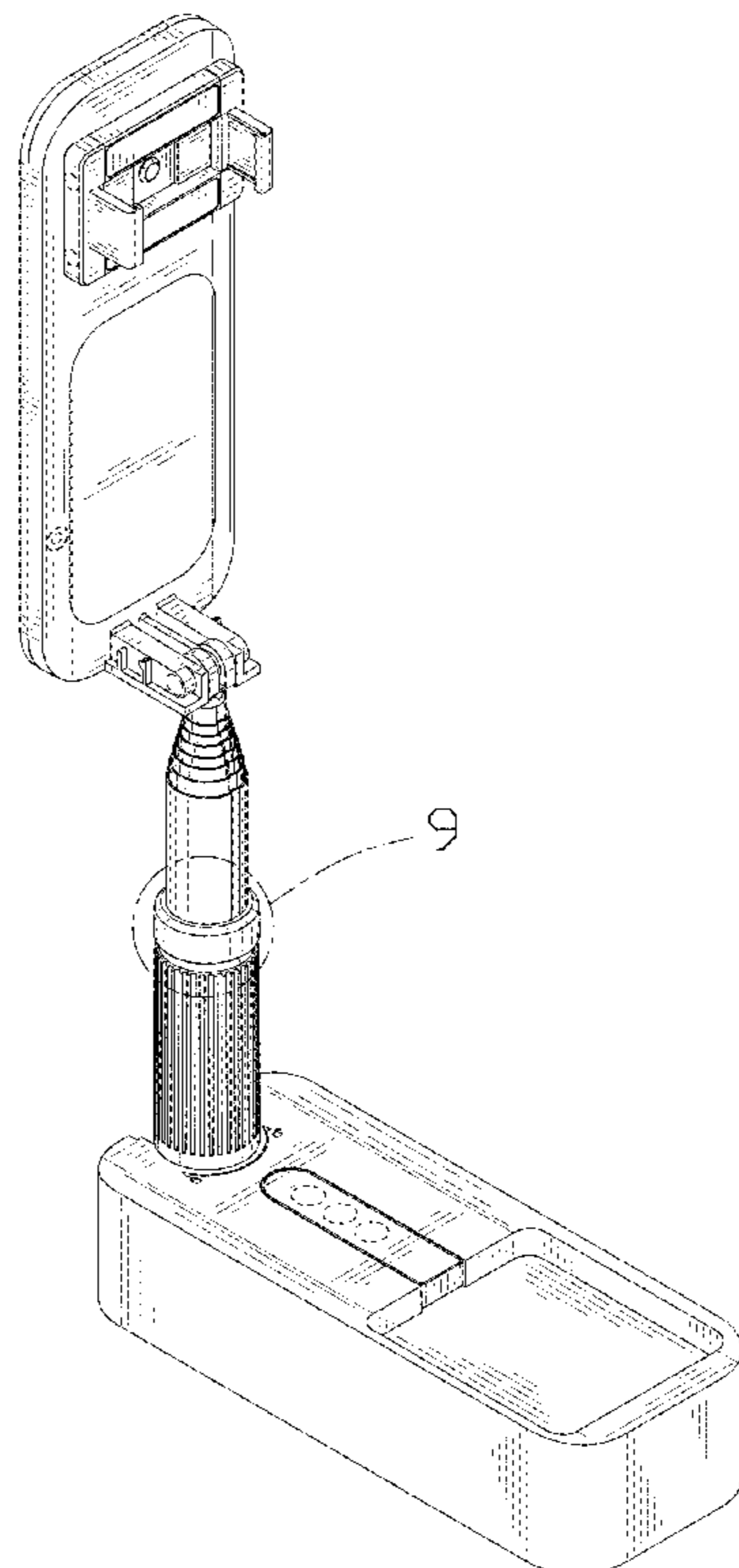
(57) **CLAIM**

The ornamental design for a foldable camera stand, as shown and described.

**DESCRIPTION**

FIG. 1 is a first perspective view of a foldable camera stand showing my new design;  
FIG. 2 is a second perspective view thereof;  
FIG. 3 is a front view thereof;  
FIG. 4 is a back view thereof;  
FIG. 5 is a left side view thereof;  
FIG. 6 is a right side view thereof;  
FIG. 7 is a top view thereof;  
FIG. 8 is a bottom view thereof; and,  
FIG. 9 is an enlarged view of the selected portion in FIG. 1. The broken lines shown in the drawings depict portions of the foldable camera stand in which the design is embodied and form no part of the claimed design. The long dash-short dash broken lines depict areas of enlargement and form no part of the claimed design.

**1 Claim, 9 Drawing Sheets**



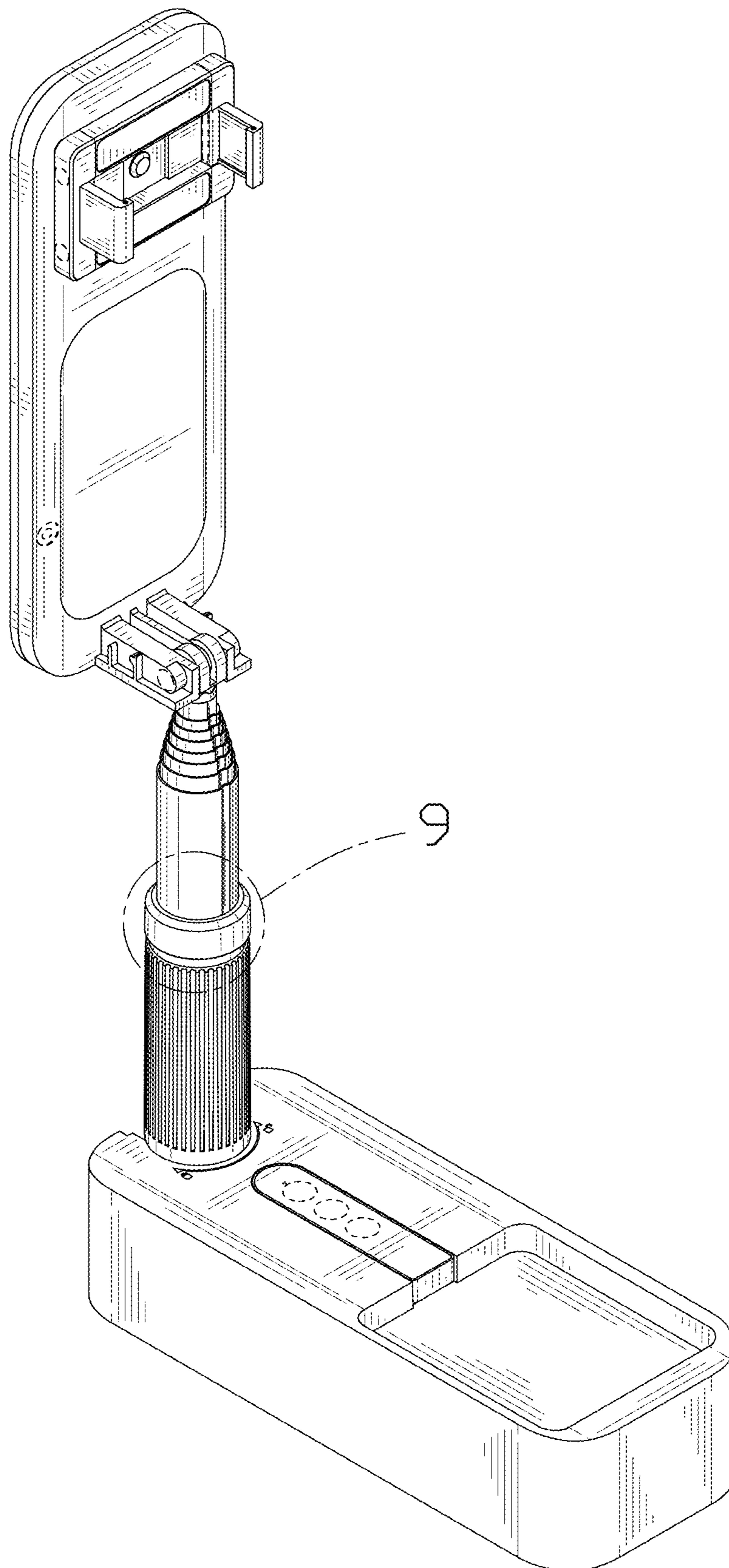


FIG. 1

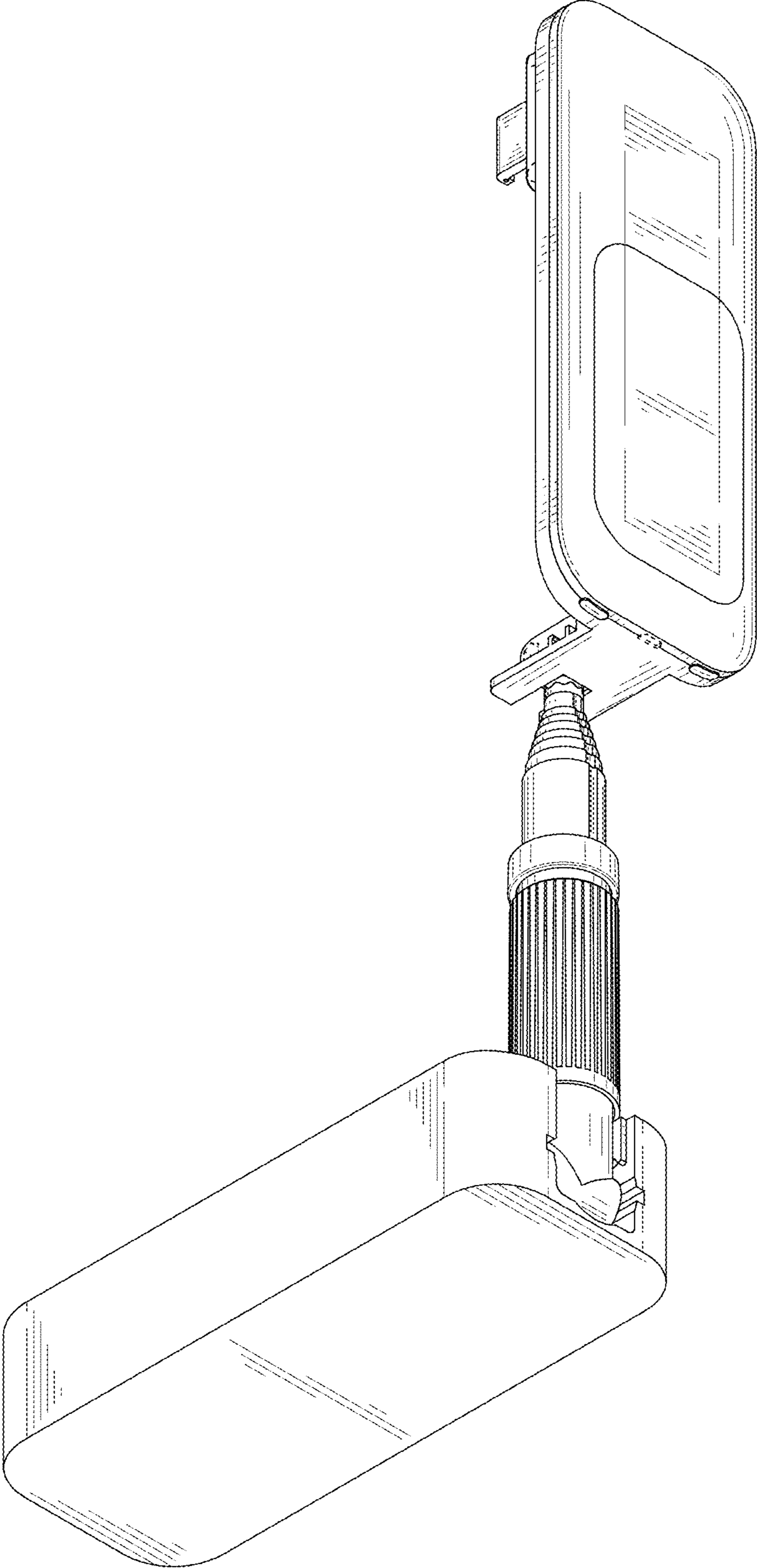


FIG. 2

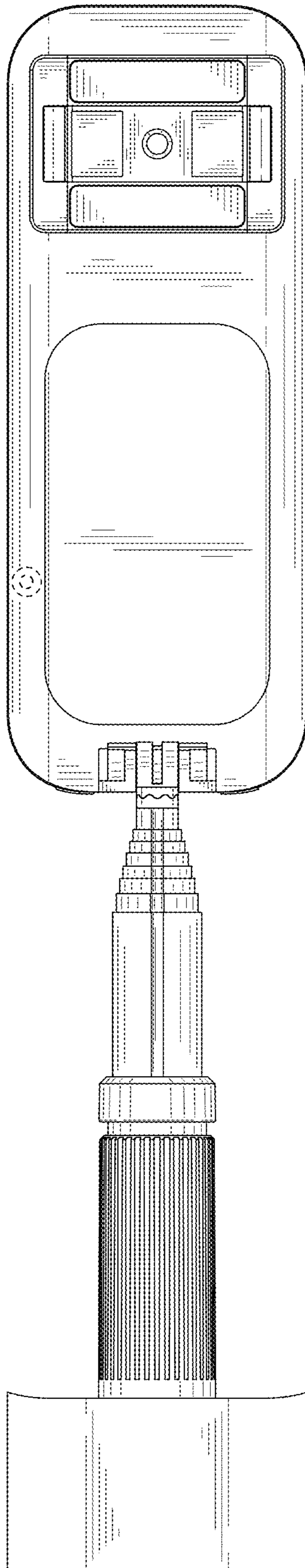


FIG. 3

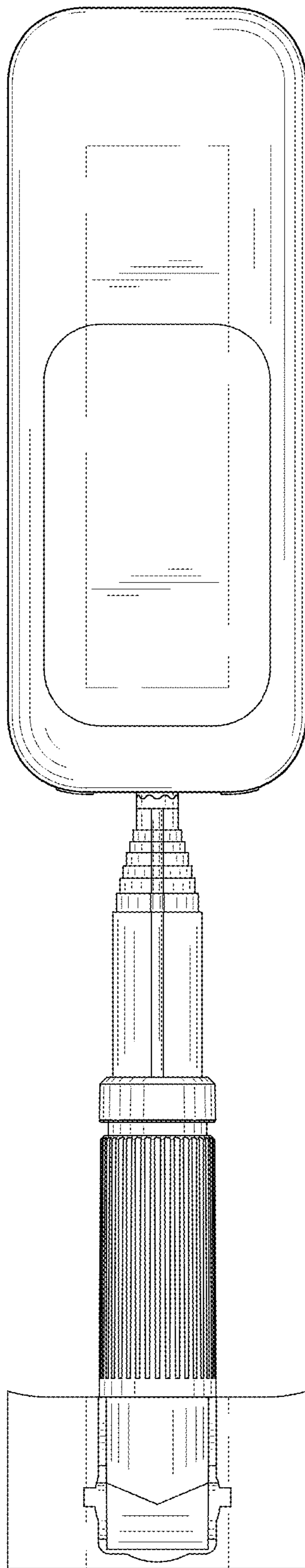


FIG. 4

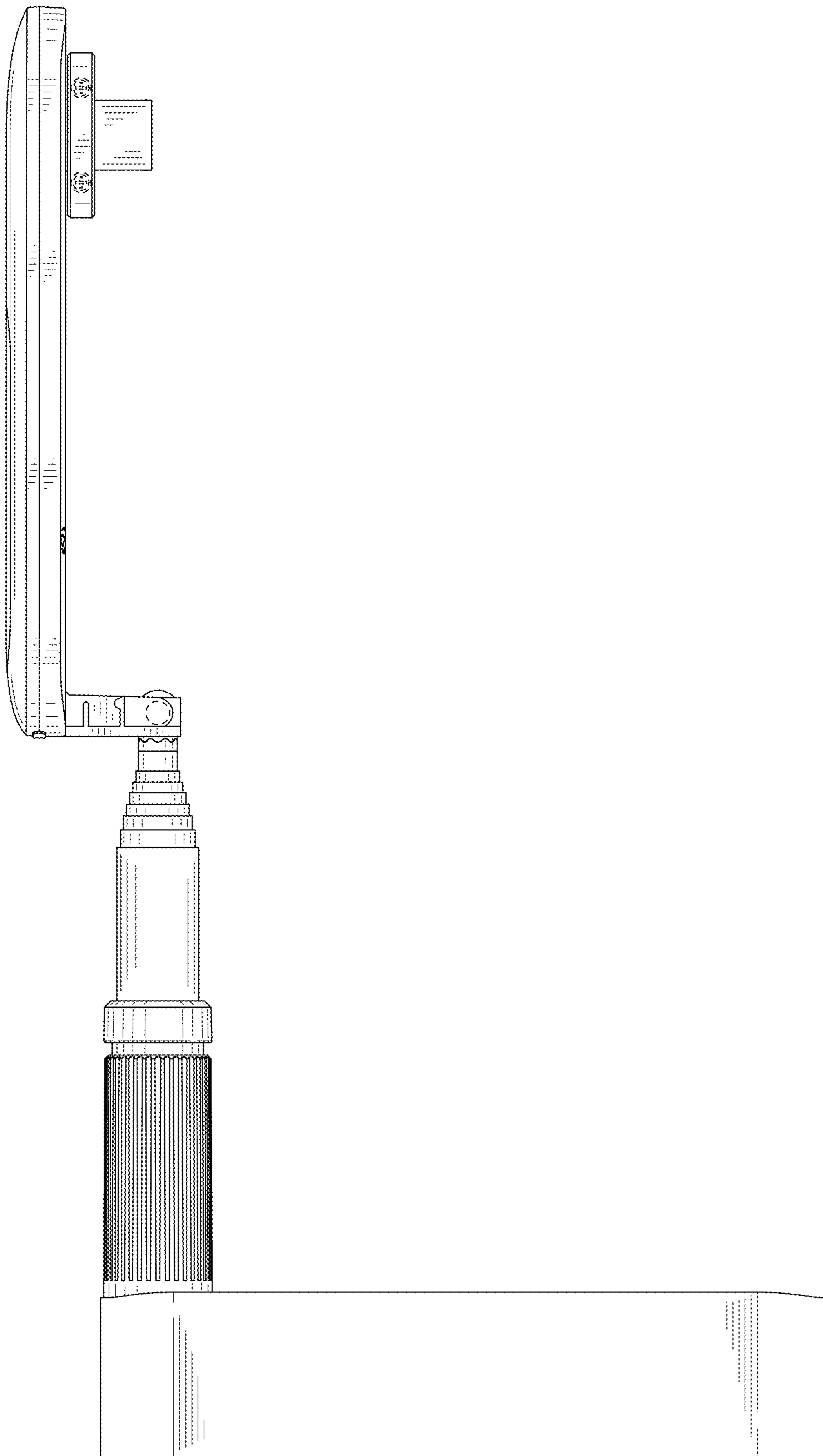


FIG. 5

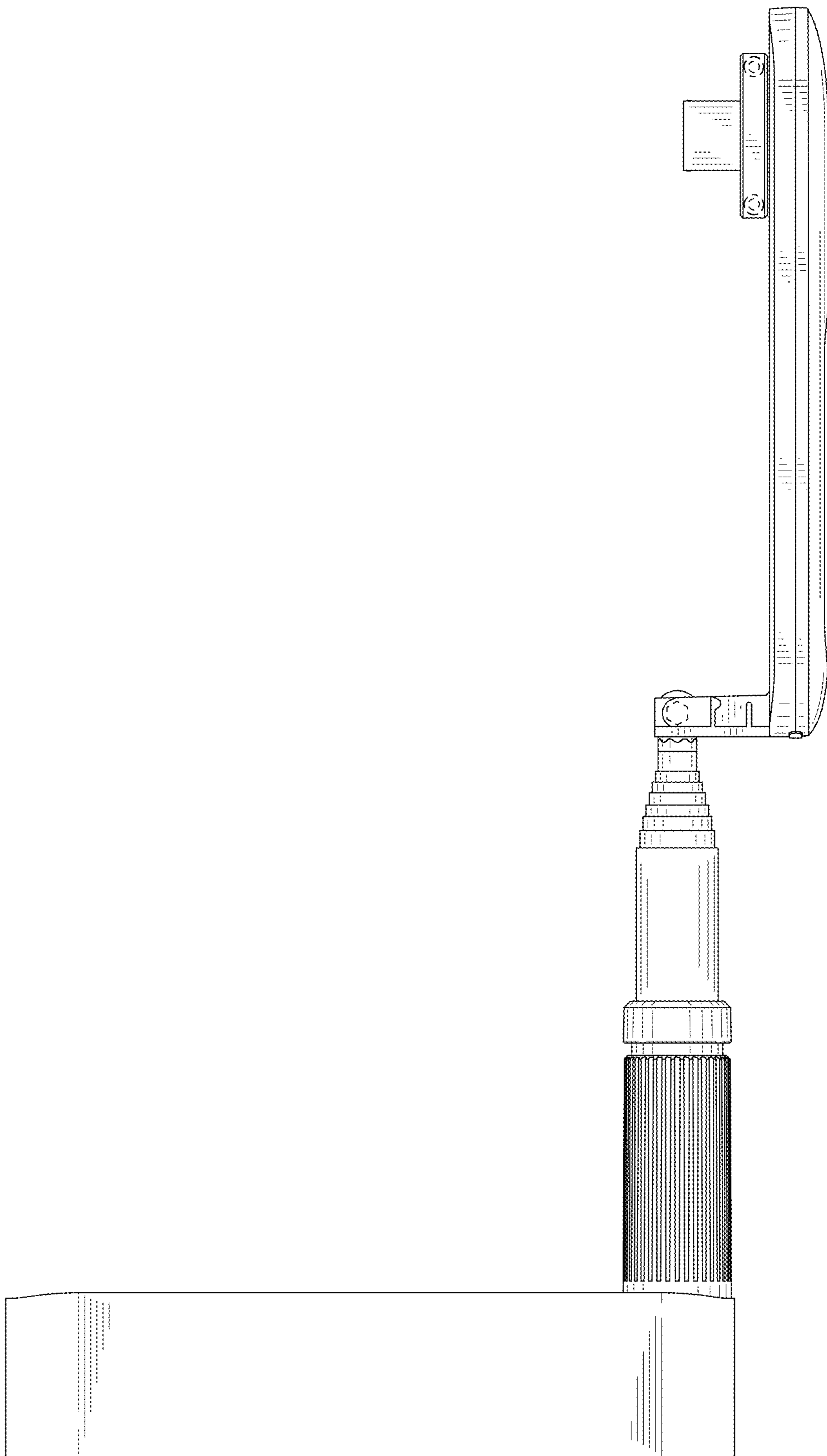


FIG. 6

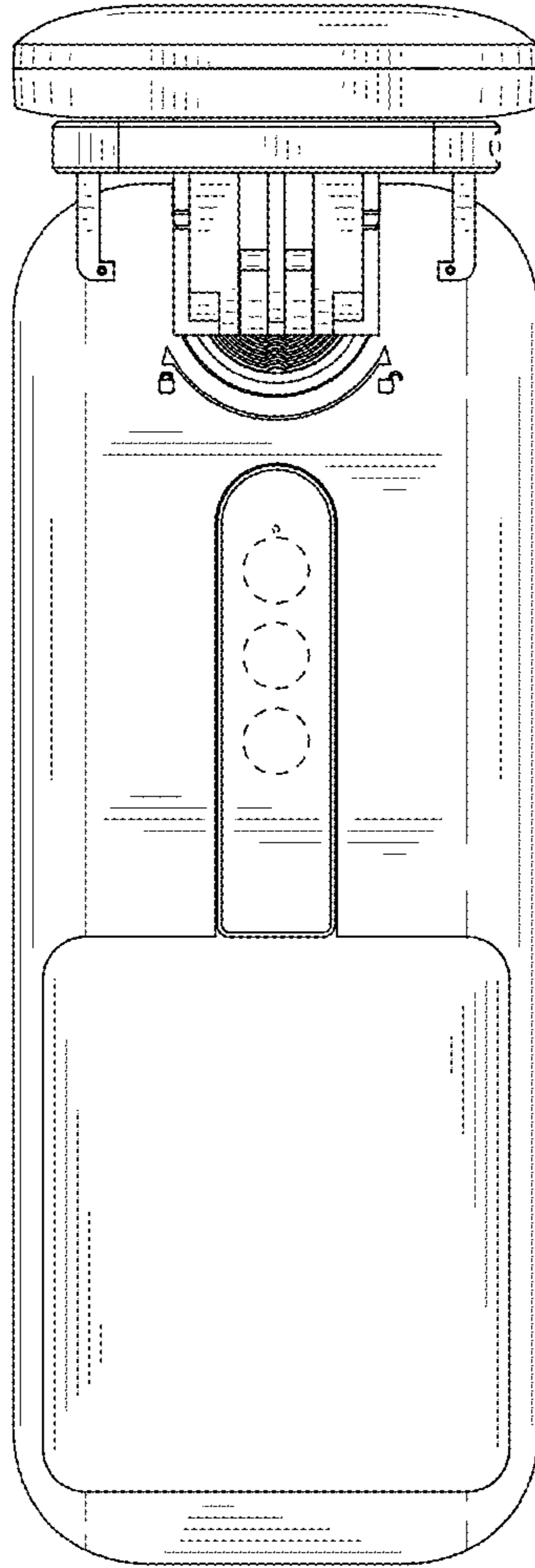


FIG. 7



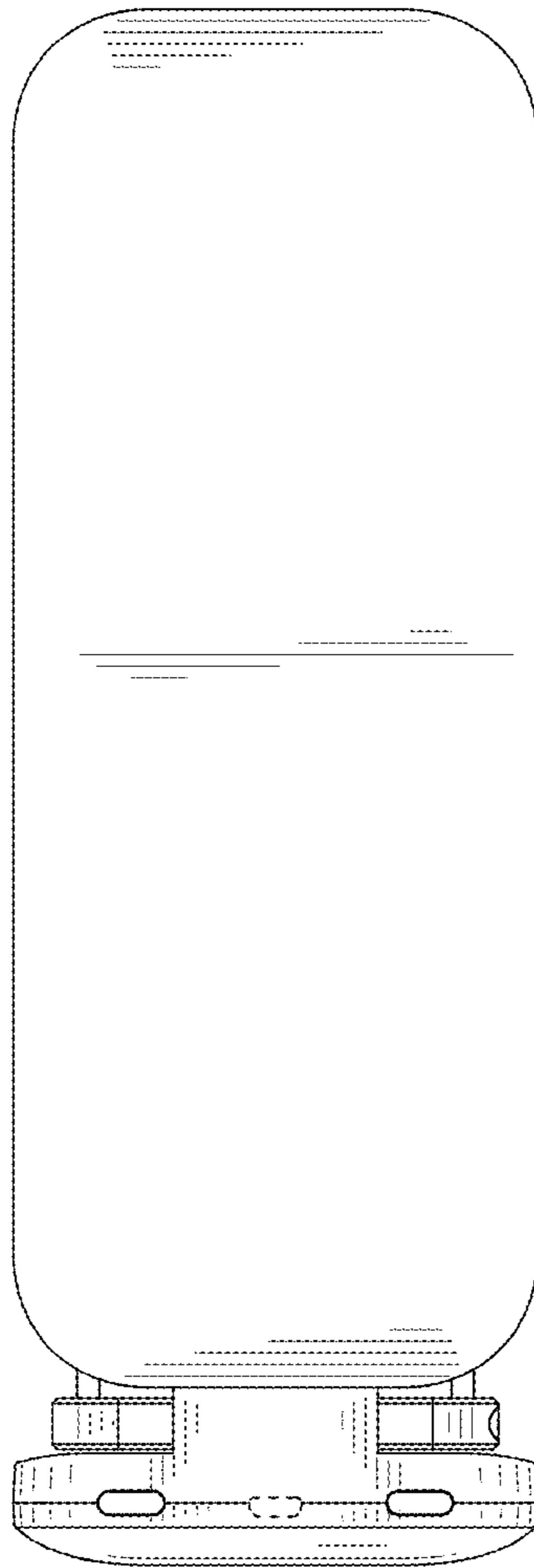


FIG. 8

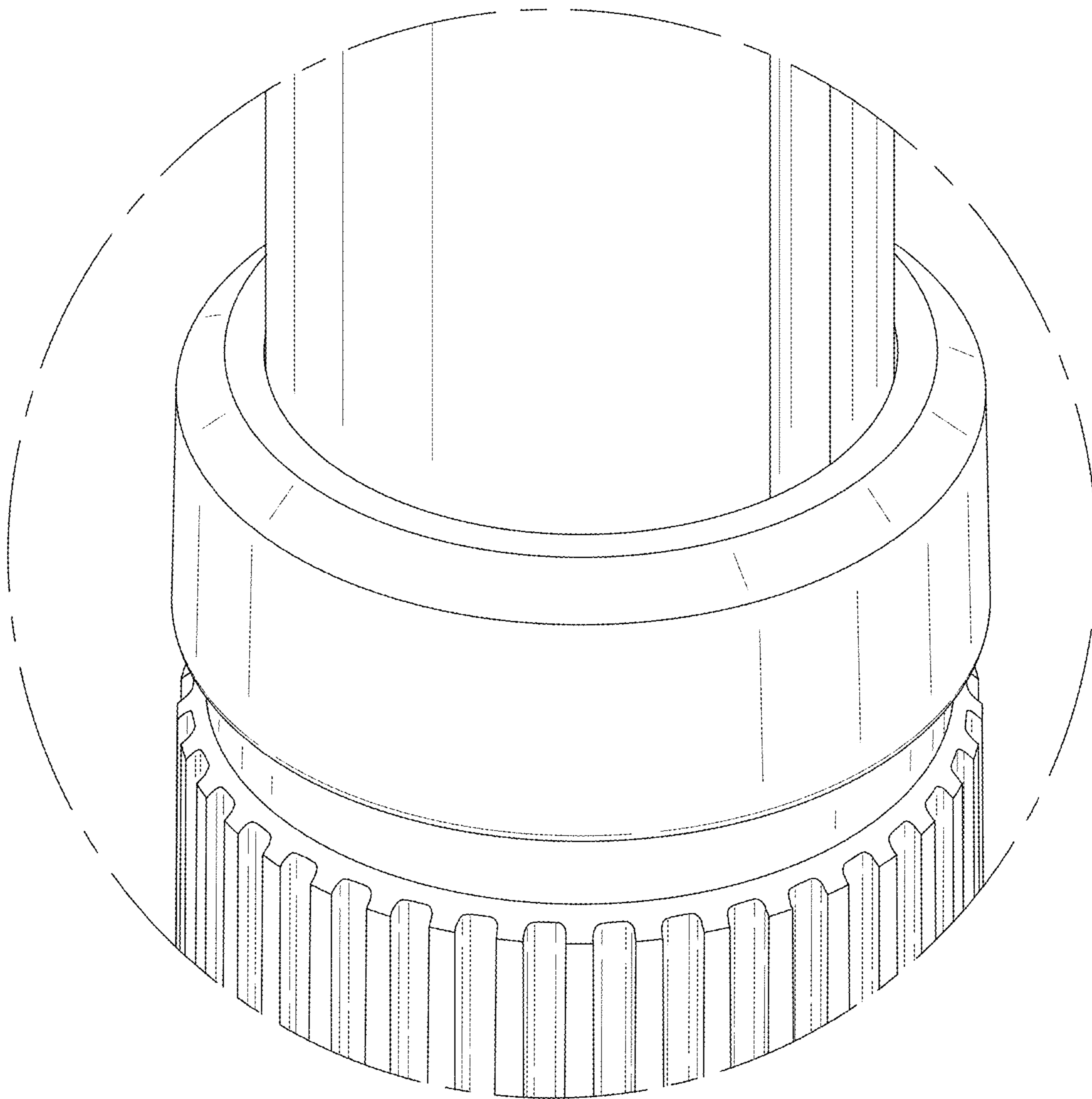


FIG. 9