



US00D961652S

(12) **United States Design Patent**
Chen et al.

(10) **Patent No.:** **US D961,652 S**
(45) **Date of Patent:** **** Aug. 23, 2022**

(54) **HAND-HELD CRADLE HEAD CAMERA**

(71) Applicant: **Shanghai Moshon Technology Co., Ltd.**, Shanghai (CN)
(72) Inventors: **Kaiyuan Chen**, Shanghai (CN); **Chongyue Xu**, Shanghai (CN); **Hanlai Pu**, Shanghai (CN)

(**) Term: **15 Years**

(21) Appl. No.: **29/746,979**

(22) Filed: **Aug. 19, 2020**

(30) **Foreign Application Priority Data**

Mar. 31, 2020 (CN) 202030119251.8

(51) **LOC (13) Cl.** **16-05**

(52) **U.S. Cl.**
USPC **D16/243**

(58) **Field of Classification Search**
USPC D8/300, 303, 306, 307, 321, 323, 324, D8/325, 349, 363, 373, 394; D14/313, D14/316, 317, 324, 341, 372, 375, 376, D14/377, 432, 203.3, 203.5, 482, 224, D14/217, 229, 250, 251, 345, 253; D16/200, 204, 206, 208, 211, 213-219,
(Continued)

(56) **References Cited**

U.S. PATENT DOCUMENTS

D330,548 S * 10/1992 Takahashi D14/481
D501,494 S * 2/2005 Ogura D16/202
(Continued)

FOREIGN PATENT DOCUMENTS

CN 306027296 * 9/2020
CN 306204490 * 12/2020
(Continued)

OTHER PUBLICATIONS

6 Pocket Gimbal Alternatives to the DJI Pocket 2 Action Camera, article available Jul. 27, 2021 [online], pictured review Jul. 27, 2021 [online], [site visited Feb. 7, 2022]:URL:<https://www.actioncamerafinder.com/6-pocket-gimbal-alternatives-dji-pocket-2-action-camera> (Year: 2021).*

(Continued)

Primary Examiner — Sanjeev Paul
Assistant Examiner — Loryn Korrine Leblanc

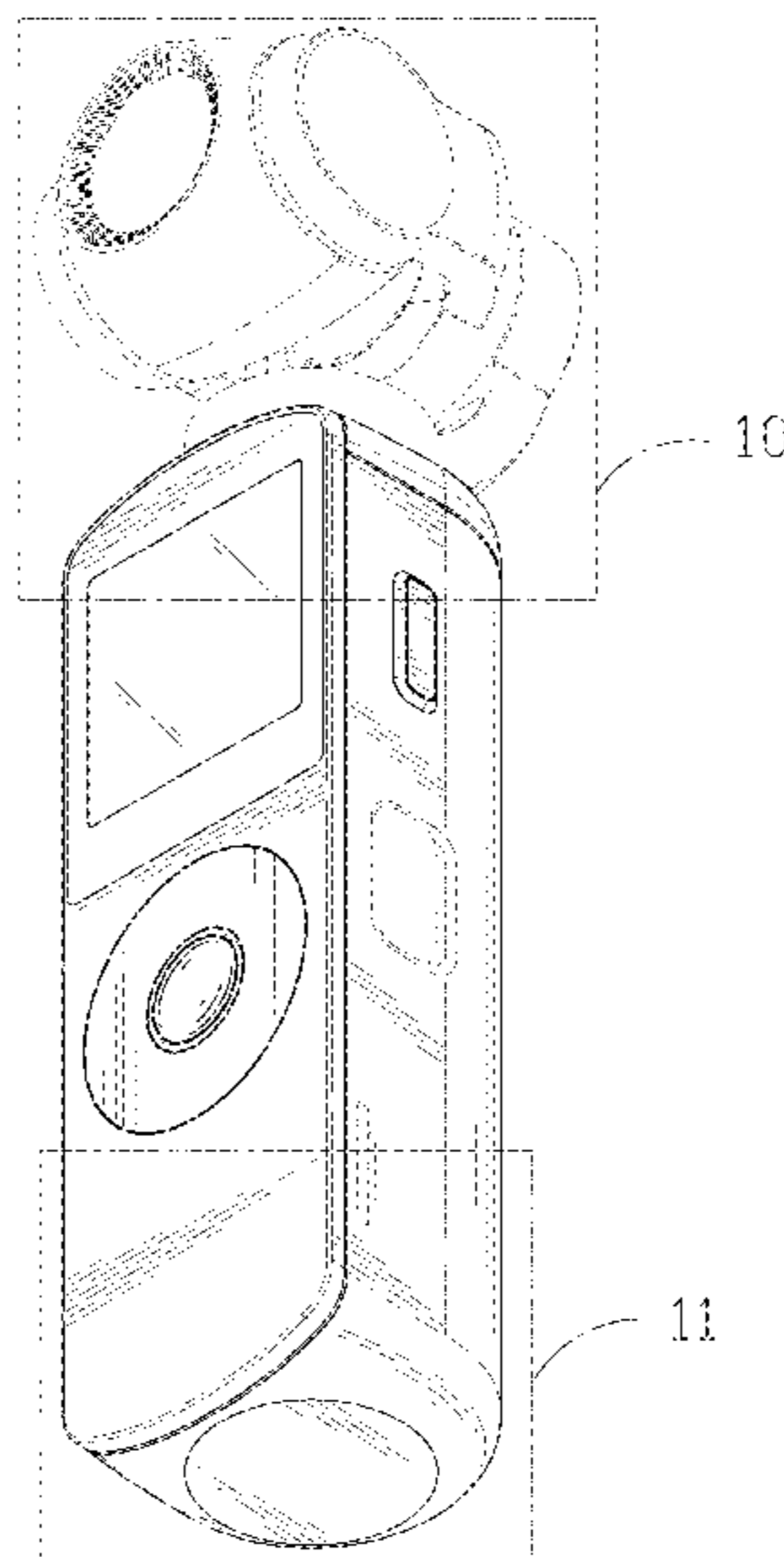
(57) **CLAIM**

The ornamental design for a hand-held cradle head camera, as shown and described.

DESCRIPTION

FIG. 1 is a rear and top perspective view of a hand-held cradle head camera, showing our new design; FIG. 2 is a front and bottom perspective view thereof; FIG. 3 is a front elevational view thereof; FIG. 4 is a rear elevational view thereof; FIG. 5 is a left side elevational view thereof; FIG. 6 is a right side elevational view thereof; FIG. 7 is a top plan view thereof; FIG. 8 is a bottom plan view thereof; FIG. 9 is an enlarged view of a portion indicated with numeric 9 in FIG. 1; FIG. 10 is an enlarged view of a portion indicated with numeric 10 in FIG. 2; and, FIG. 11 is an enlarged view of a portion indicated with numeric 11 in FIG. 2.
The broken lines shown in the drawings are included for the purpose of illustrating unclaimed portions of hand held cradle head camera and forms no part of the claimed design. The dash dot dash lines in FIGS. 1, 2, 9, 10 and 11 are shown for the purpose of depicting areas of enlargement and form no part of the claimed design.

1 Claim, 11 Drawing Sheets



(58) **Field of Classification Search**

USPC D16/234, 235, 236, 237-250, 136, 203.8,
D16/194, 195; D21/329, 330, 331, 333,
D21/385, 514
CPC F16M 11/00; F16M 11/06; F16M 11/08;
F16M 11/10; F16M 11/12; F16M 11/14;
F16M 11/18; F16M 11/20; F16M 11/041;
F16M 11/105; F16M 11/123; F16M
11/2007; F16M 11/2014; F16M 11/2021;
F16M 11/2028; F16M 11/2035; F16M
11/2071; F16M 13/00; F16M 13/005;
F16M 13/02; F16M 13/04; F16M 13/06;
F16M 2200/00; F16M 2200/04; F16M
2200/08; F16M 2200/041; F16M
2200/042; F16M 2200/044; F16M
2200/045; F16M 2200/047; F16M
2200/048; G01C 21/18; G03B 17/56;
G03B 17/561; G03B 17/563

See application file for complete search history.

(56) **References Cited**

U.S. PATENT DOCUMENTS

D721,113 S * 1/2015 Huang D16/202
D820,708 S * 6/2018 Siminoff D10/118.2
10,347,119 B2 * 7/2019 Liu H05K 5/0247
D866,381 S * 11/2019 Siminoff D10/118.2
D872,790 S * 1/2020 Hasegawa D16/202
D874,539 S * 2/2020 Wang D16/206
D881,255 S * 4/2020 Li D16/202
D888,799 S * 6/2020 Wang D16/206
D894,992 S * 9/2020 Cui D16/208
D896,864 S * 9/2020 Hasani D16/203
D897,397 S * 9/2020 Wang D16/206
D900,909 S * 11/2020 Wang D16/206
D909,447 S * 2/2021 Lin D16/202
D914,077 S * 3/2021 Wang D16/206
D926,066 S * 7/2021 England D10/118.2
D928,862 S * 8/2021 Wang D16/206
11,245,855 B2 * 2/2022 Ma H04N 5/23216
2021/0055635 A1 * 2/2021 Guo G03B 17/563
2021/0102656 A1 * 4/2021 Liu F16M 11/2071
2021/0168296 A1 * 6/2021 Su H04N 5/232933

2021/0181611 A1 * 6/2021 Ma F16M 11/123
2021/0188436 A1 * 6/2021 Liu F16M 11/12
2022/0011787 A1 * 1/2022 Liu F16M 11/12
2022/0050364 A1 * 2/2022 Weng H04N 5/22521

FOREIGN PATENT DOCUMENTS

EM 007497649-0001 * 2/2020
EM 008709257-0001 * 10/2021
GB 9007497649-0001 * 1/2020
JP D1629837 * 4/2019
KR 301074794.0000 * 9/2020
WO D213334-001 * 8/2021

OTHER PUBLICATIONS

【二麦】追踪技能 哪家强 橙影智能摄影机上手 体验, video available May 15, 2020 [online], [site visited Feb. 7, 2022]:URL:<<https://www.youtube.com/watch?v=PdVNEKiQAPE>> (Year: 2020).
Snoppa Vmate Gimbal Camera, product available Feb. 12, 2020 [online], pictured review May 19, 2020 [online], [site visited Feb. 7, 2022]:URL: <<https://www.amazon.com/Snoppa-Vmate-Stabilizer-90%C2%B0Rotating-Bluetooth/dp/B084QF6TTS>> (Year: 2020).
FIMI Palm 2 Gimbal Camera, product available Feb. 12, 2020 [online], pictured review Jan. 8, 2021 [online], [site visited Feb. 7, 2022]:URL:<https://www.amazon.com/gp/product/B08NXXFN32F/ref=sw_img_1?smid=A1JR79MMLW9TSV&psc=1> (Year: 2020).
Official Feiyu Pocket Handheld Gimbal Stabilizer, product available Feb. 12, 2020 [online], pictured review Aug. 23, 2020 [online], [site visited Feb. 8, 2022]:URL:<https://www.amazon.com/gp/product/B085NRXTZ6/ref=sw_img_1?smid=A39OGPD4WDNOE1&psc=1> (Year: 2020).
DJI Pocket 2 Exclusive Combo, product available Jul. 8, 2021 [online], video review Dec. 1, 2021 [online], [site visited Feb. 8, 2022]:URL:<https://www.amazon.com/gp/product/B095SNVHGL/ref=sw_img_1?smid=ATVDPKIKX0DER&th=1> (Year: 2021).
DJI Pocket 2, product available Oct. 18, 2020 [online], video review Sep. 29, 2021 [online], [site visited Feb. 8, 2022]:URL:<https://www.amazon.com/gp/product/B08J7FL57P/ref=ewc_pr_img_1?smid=ATVDPKIKX0DER&th=1> (Year: 2021).
Minolta 4K Ultra HD WiFi Enabled Pocket Camcorder, video review Jun. 19, 2021 [online], [site visited Feb. 8, 2022]:URL:<<https://www.youtube.com/watch?v=PLAzMYyEqto>> (Year: 2021).*

* cited by examiner

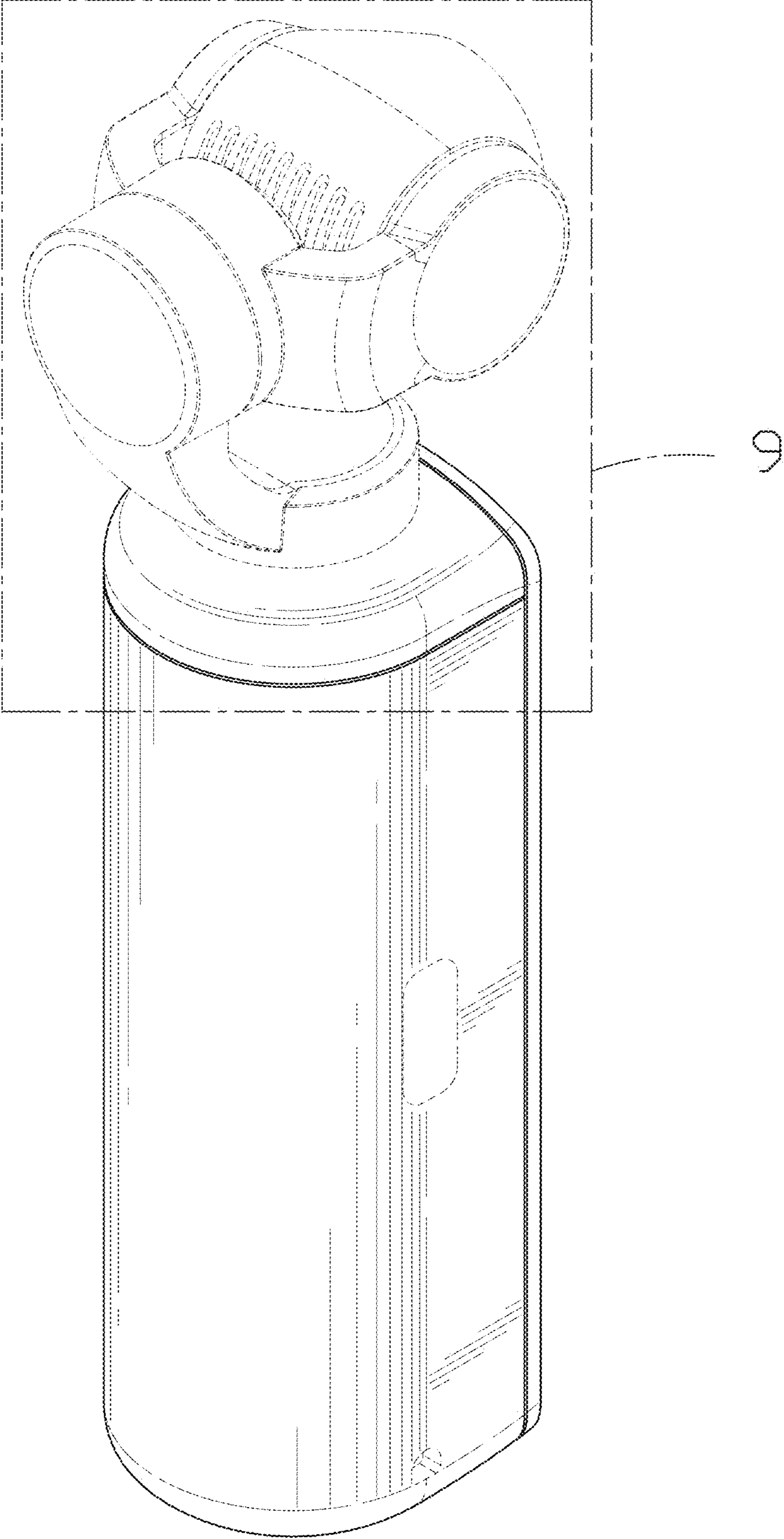


FIG. 1

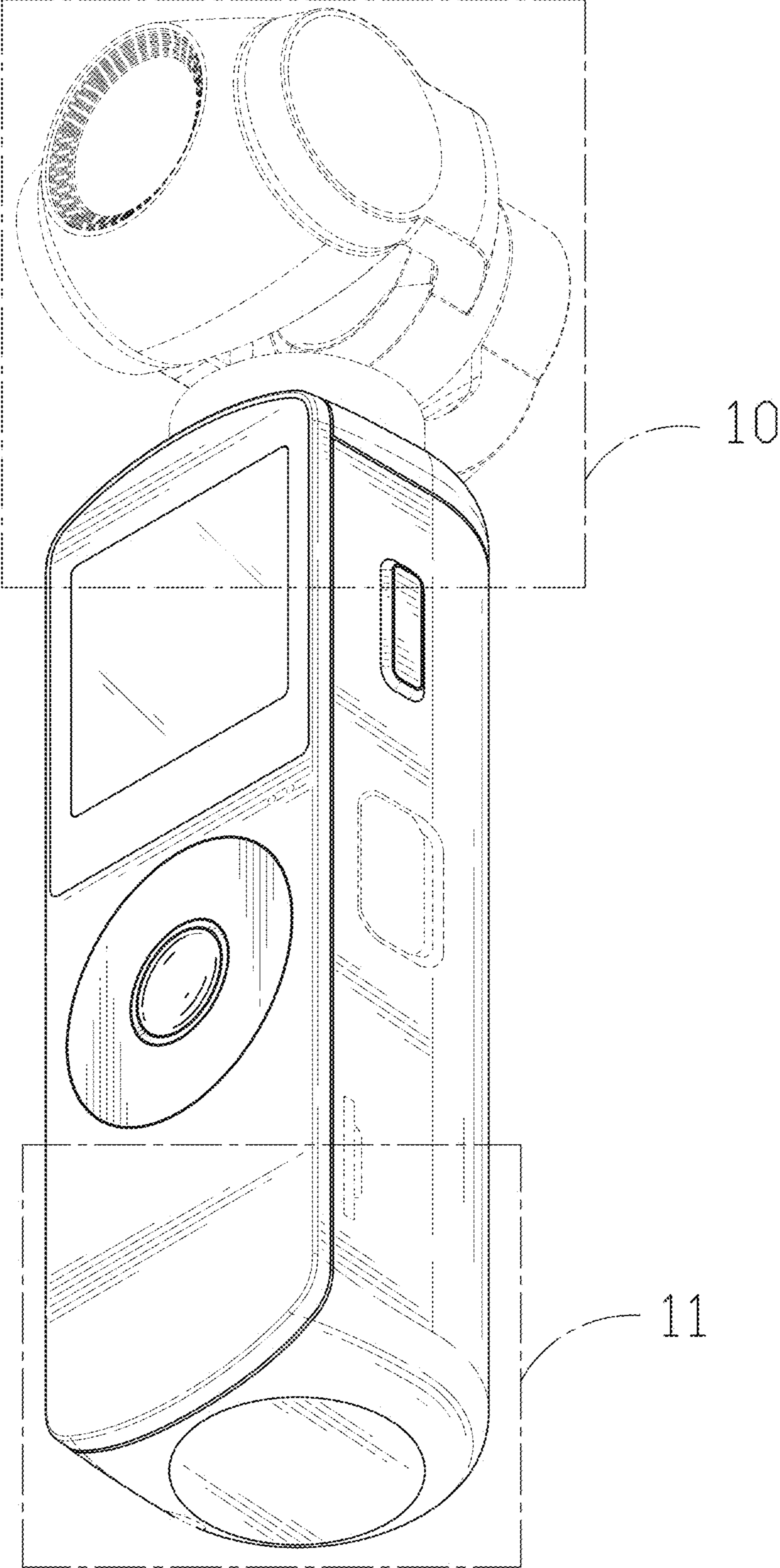


FIG. 2

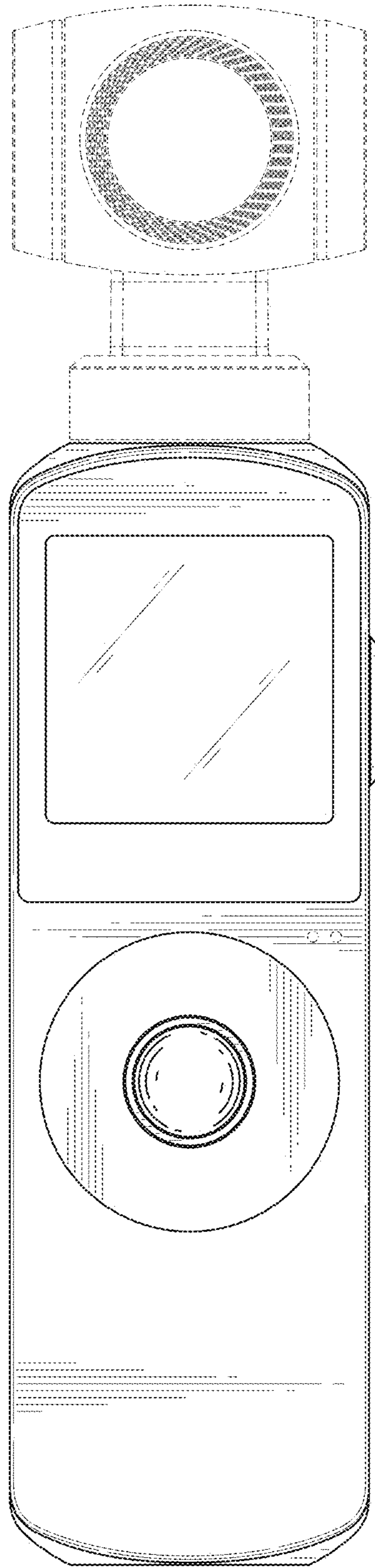


FIG. 3

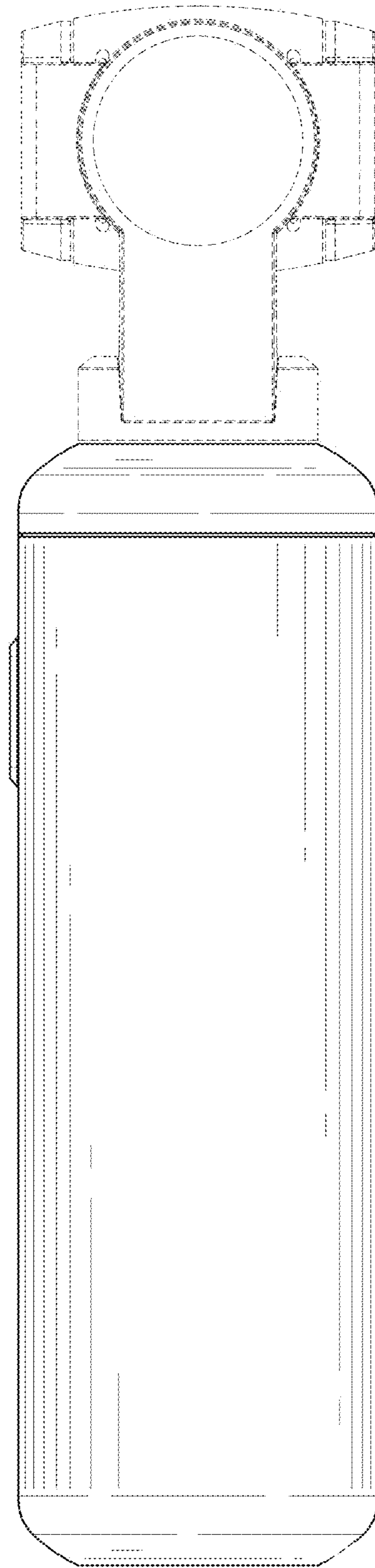


FIG. 4

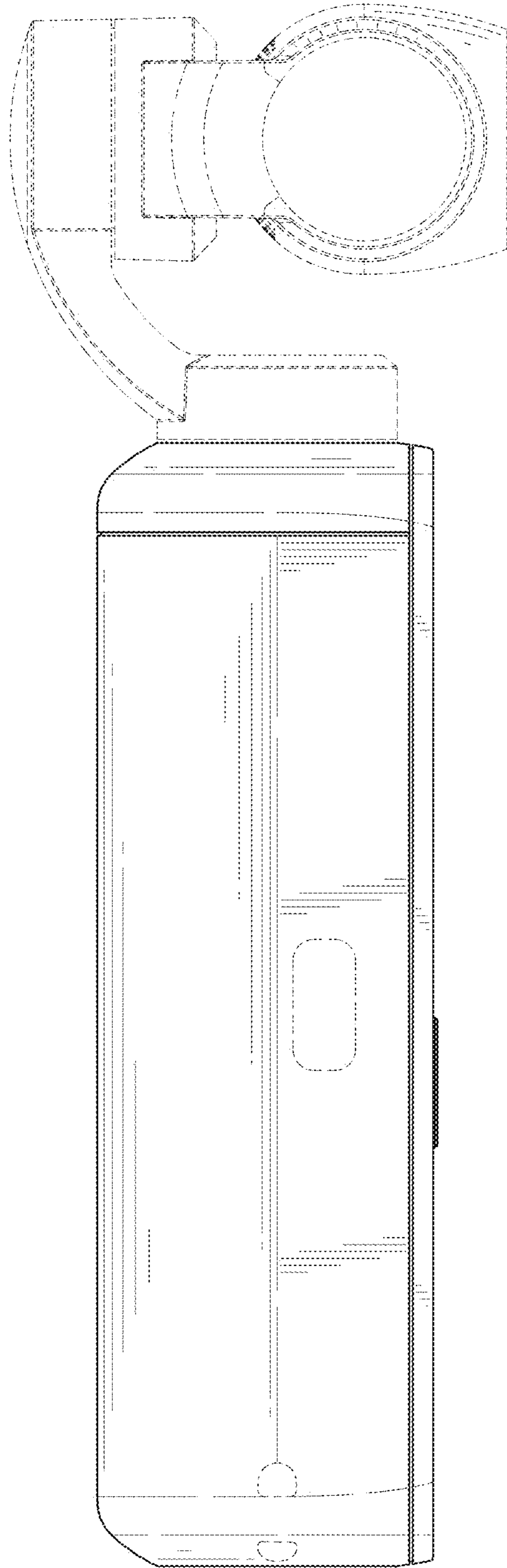


FIG. 5

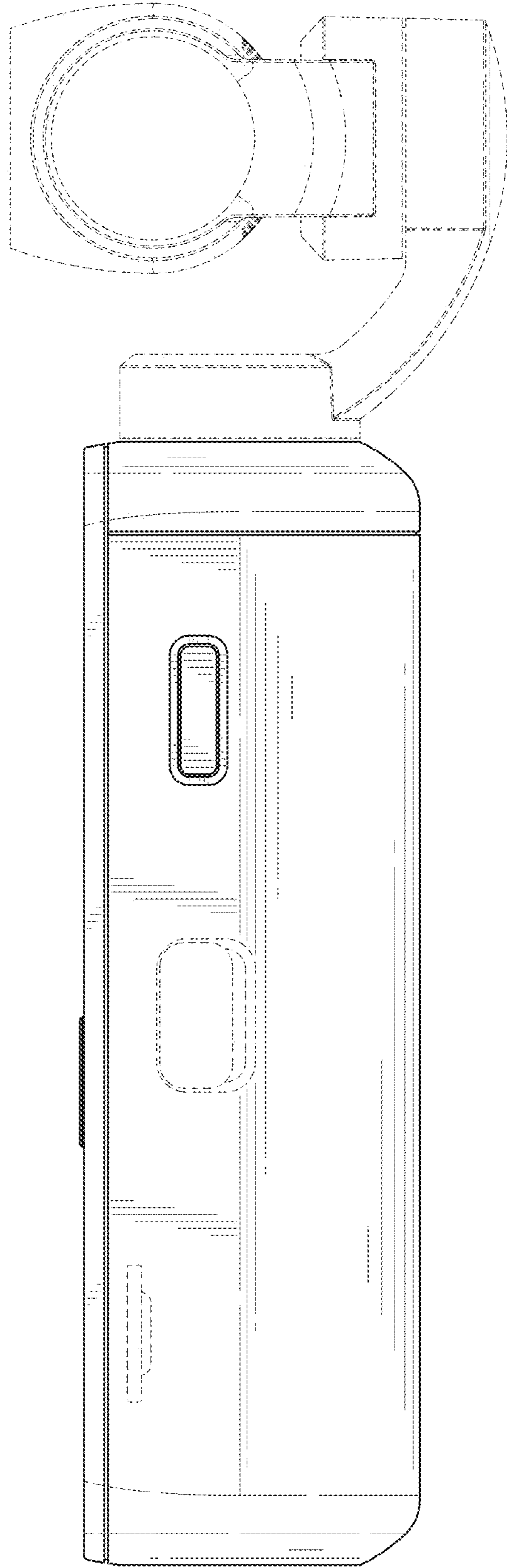


FIG. 6

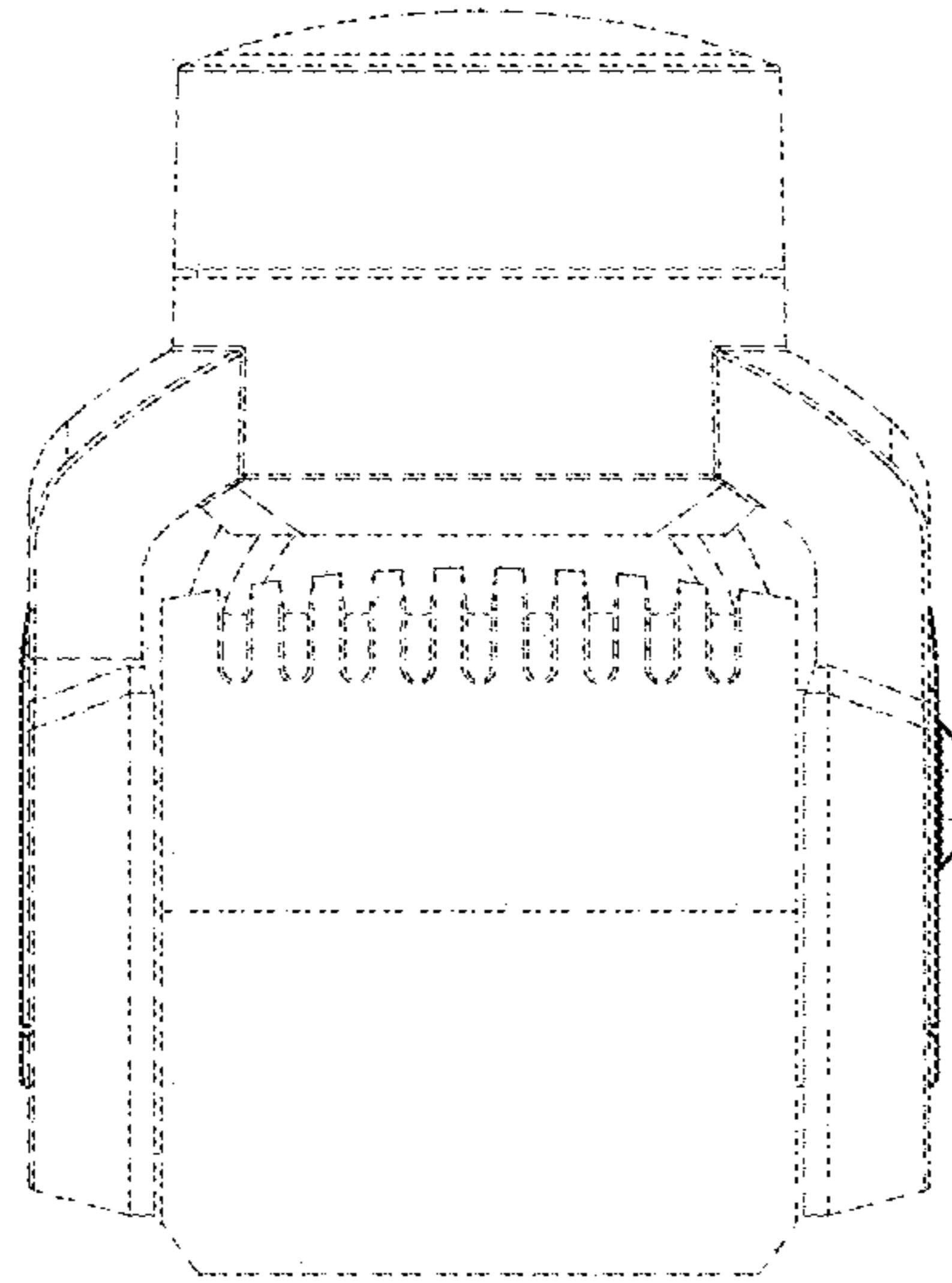


FIG. 7

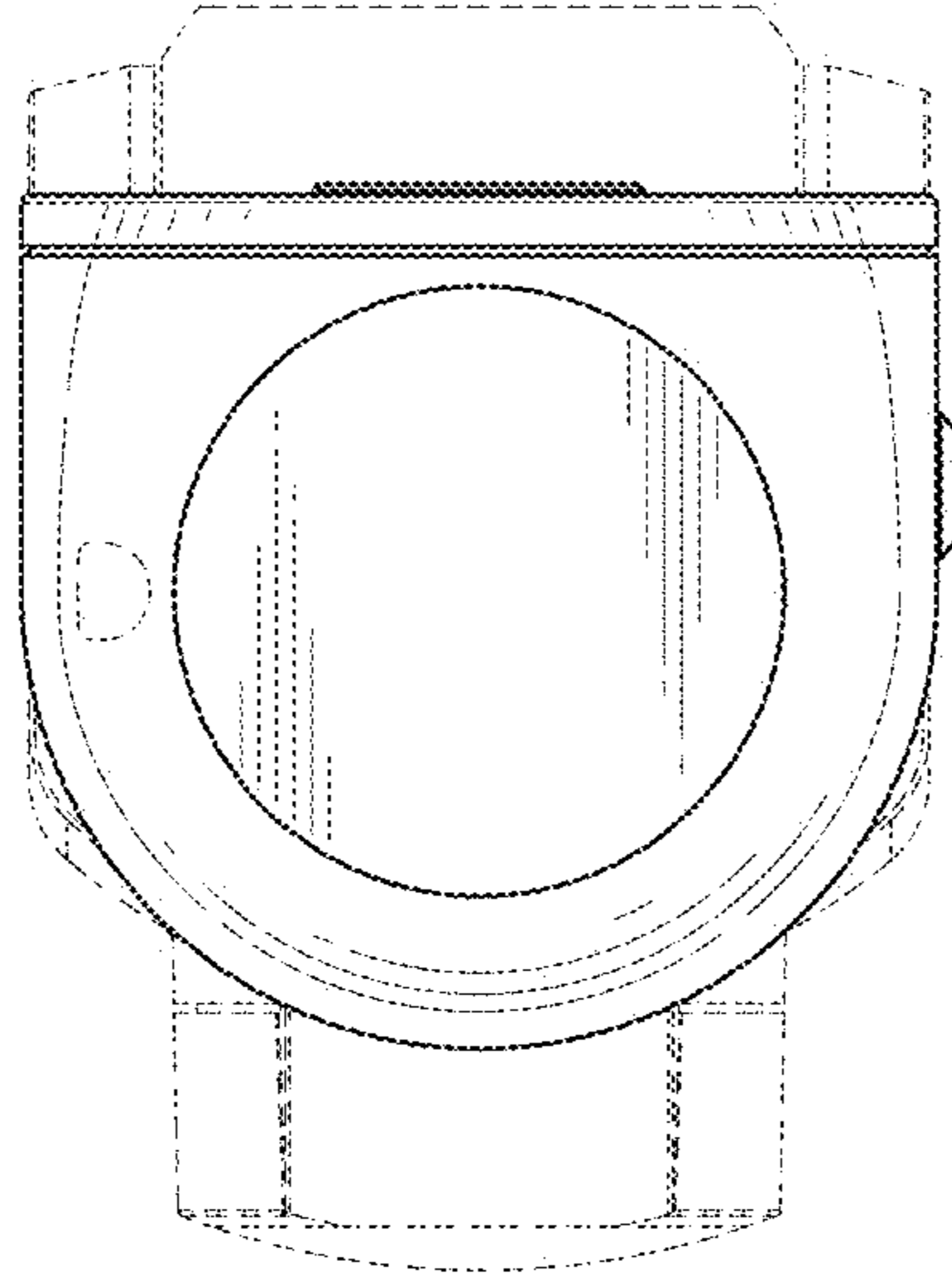


FIG. 8

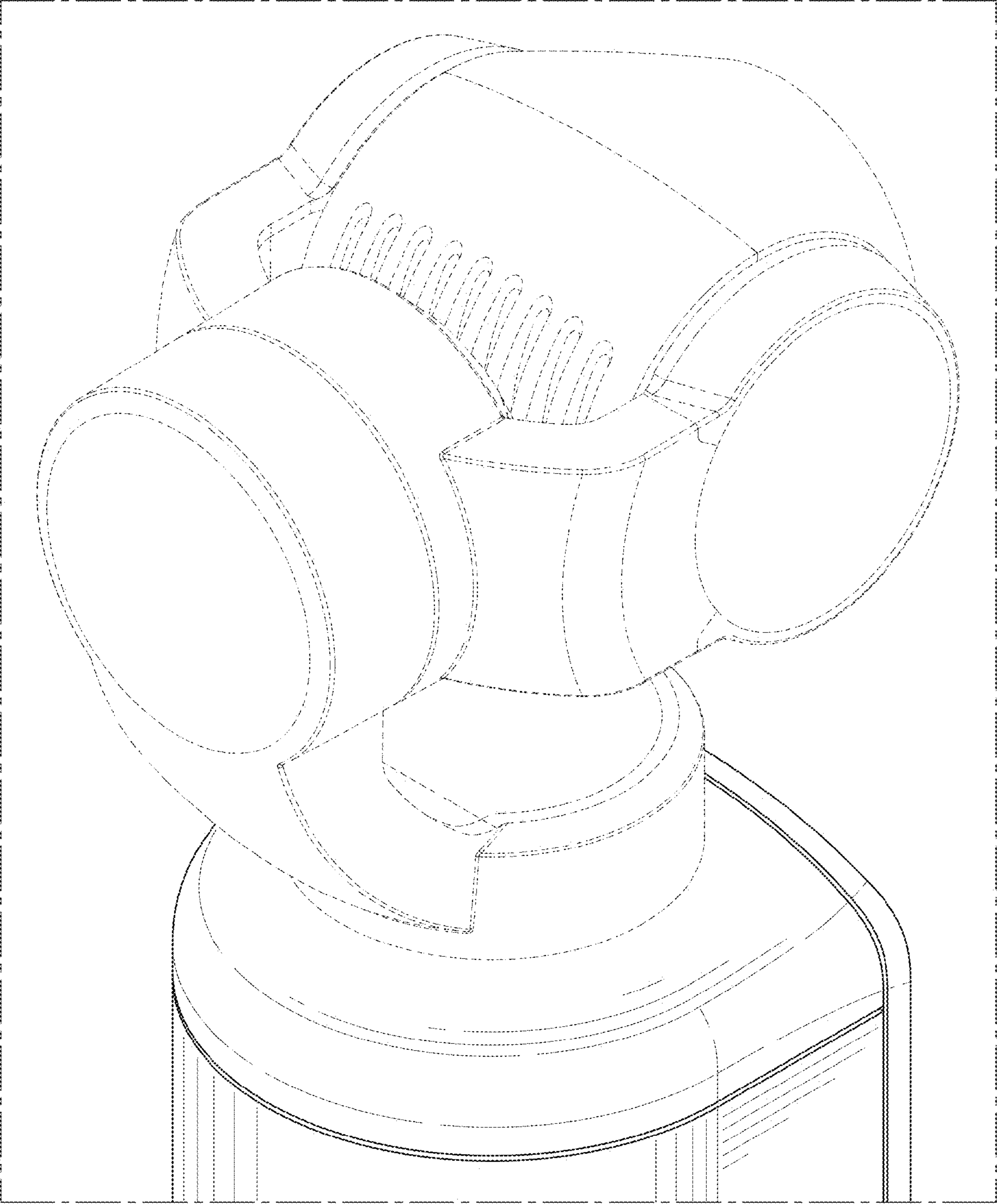


FIG. 9

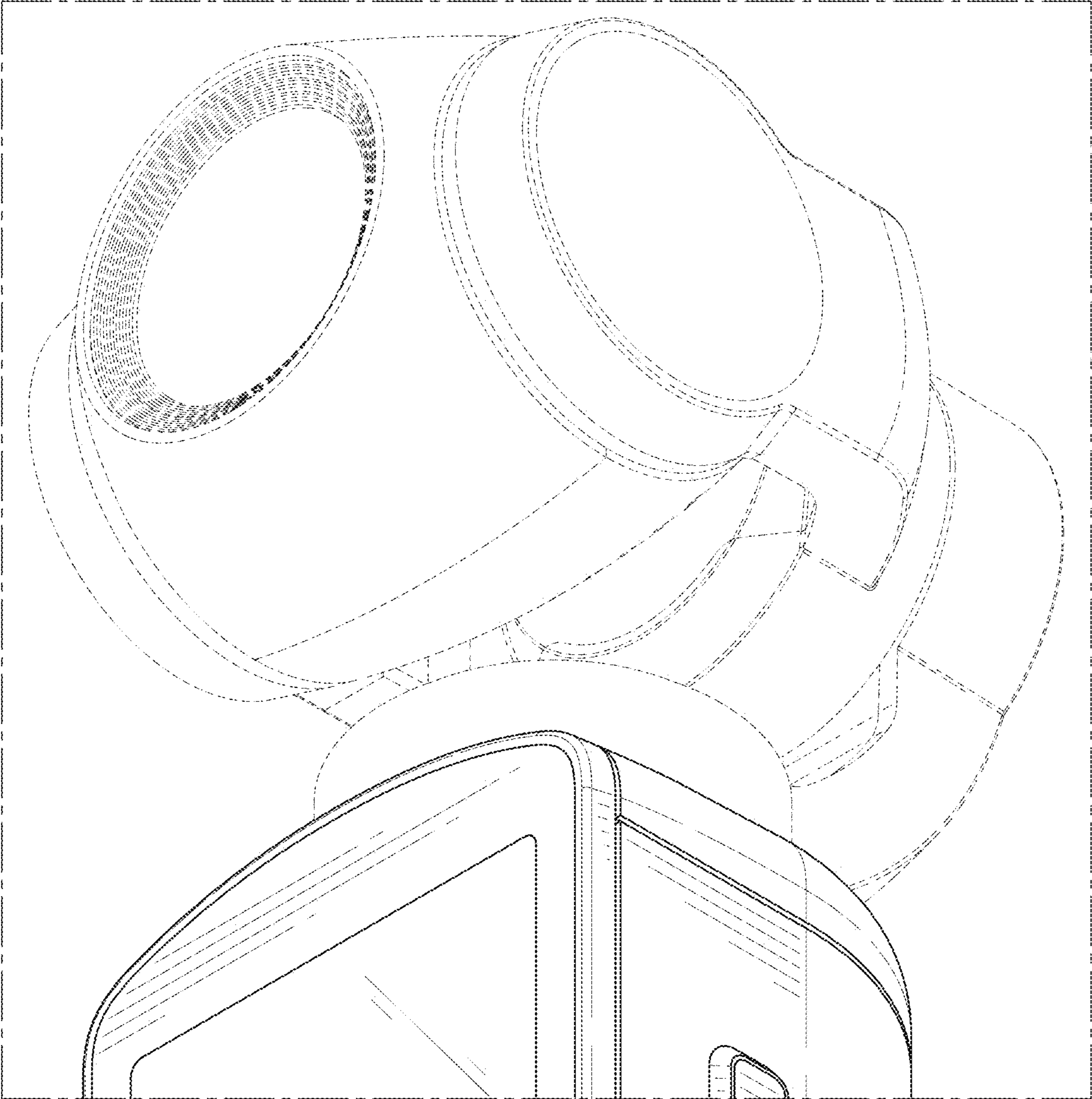


FIG. 10

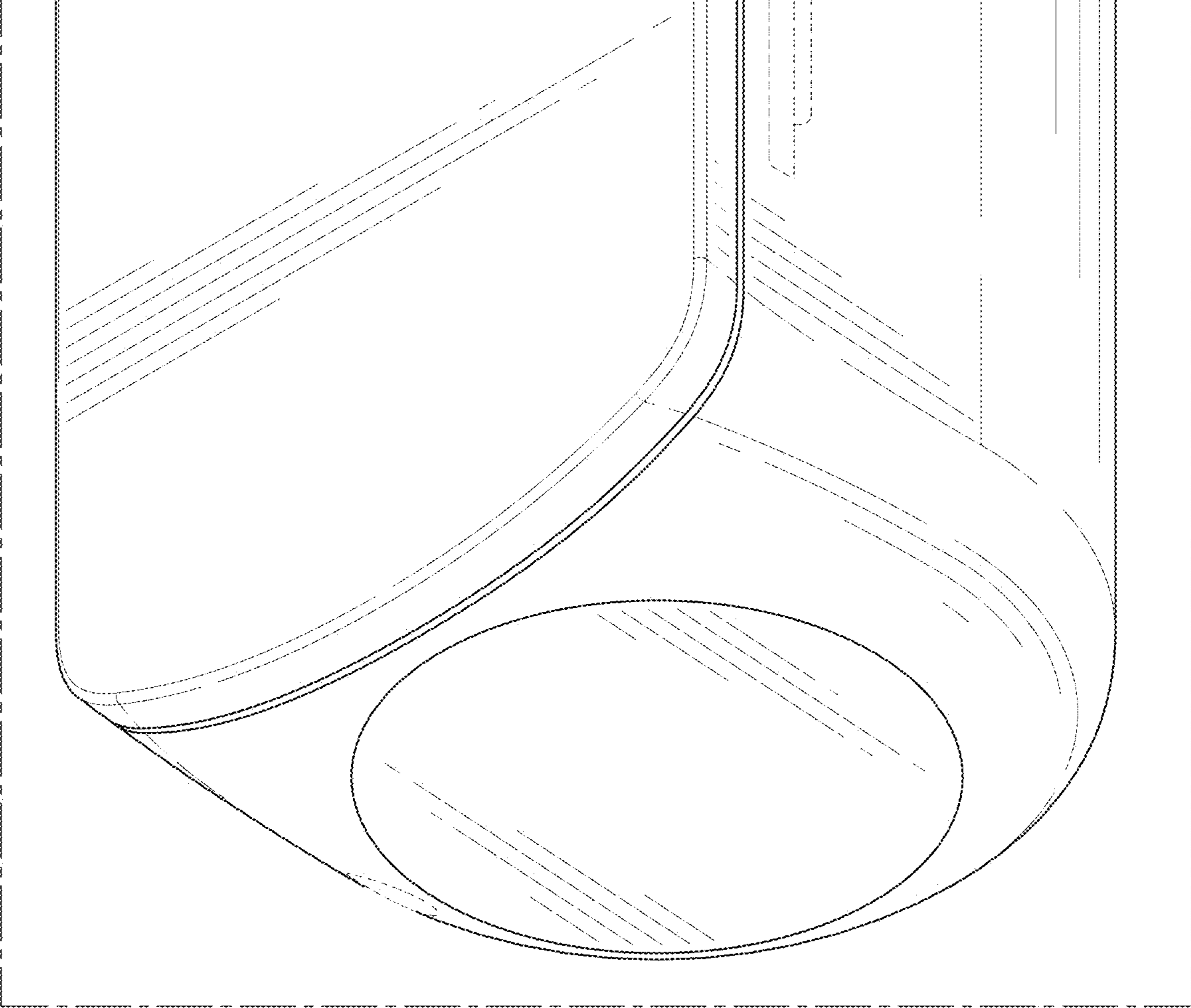


FIG. 11