



US00D961651S

(12) **United States Design Patent**
Yan

(10) **Patent No.:** **US D961,651 S**

(45) **Date of Patent:** **** Aug. 23, 2022**

(54) **WIRELESS PTZ CAMERA**

(71) Applicant: **Shaojie Yan**, Guangdong (CN)

(72) Inventor: **Shaojie Yan**, Guangdong (CN)

(**) Term: **15 Years**

(21) Appl. No.: **29/769,409**

(22) Filed: **Feb. 5, 2021**

(51) **LOC (13) Cl.** **16-01**

(52) **U.S. Cl.**

USPC **D16/203**

(58) **Field of Classification Search**

USPC D16/200–203, 207–208, 214, 218–219;

D10/46, 61, 62, 65, 70, 71, 104.1, 106.6,

D10/106.7, 109.1, 109.2, 114.8, 121

CPC G03B 17/00; G03B 17/02; G03B 17/56;

G03B 2217/00; H04N 5/2251; H04N

5/2252; H04N 5/2254

See application file for complete search history.

(56) **References Cited**

U.S. PATENT DOCUMENTS

D734,379 S * 7/2015 Tankersley D16/203

D801,841 S * 11/2017 Chen D10/106.6

D924,961 S * 7/2021 Xu D16/203

D942,524 S * 2/2022 Xu D16/203

FOREIGN PATENT DOCUMENTS

CN 306461801 * 4/2021

CN 306713940 * 7/2021

OTHER PUBLICATIONS

“Woolink 3MP PTZ Solar Security Camera Outdoor, 360° Wireless WiFi Rechargeable Solar Battery Camera with 2-Way Talk, Motion Detection and Siren, Color Night Vision, SD/Cloud Storage” from

Amazon.com, first available Apr. 21, 2021 from the internet <<https://www.amazon.com/Security-Wireless-Surveillance-Colorful-Detection/dp/B0932RFQWV/>> (Year: 2021).*

“Solar Security Camera Outdoor Wireless WiFi, Ctronics Pan Tilt Home PTZ Security Camera 1080P Color Night Vision with 10000mAh Rechargeable Battery, PIR and Human Detection, 2-Way Audio” from Amazon.com, first available Nov. 30, 2020 from the internet <<https://www.amazon.com/dp/B08N63JXP7/>> (Year: 2020).*

* cited by examiner

Primary Examiner — Rosemary K Tarcza

Assistant Examiner — Lacey Chey Bowman

(57) **CLAIM**

The ornamental design for a wireless PTZ camera, as shown and described.

DESCRIPTION

FIG. 1 is a top, front and right side perspective view of a wireless PTZ camera showing my new design;

FIG. 2 is a bottom, rear and left side perspective view thereof;

FIG. 3 is a bottom, front and left side perspective view thereof;

FIG. 4 is a front elevational view thereof;

FIG. 5 is a rear elevational view thereof;

FIG. 6 is a left side view thereof;

FIG. 7 is a right side view thereof;

FIG. 8 is a top plan view thereof;

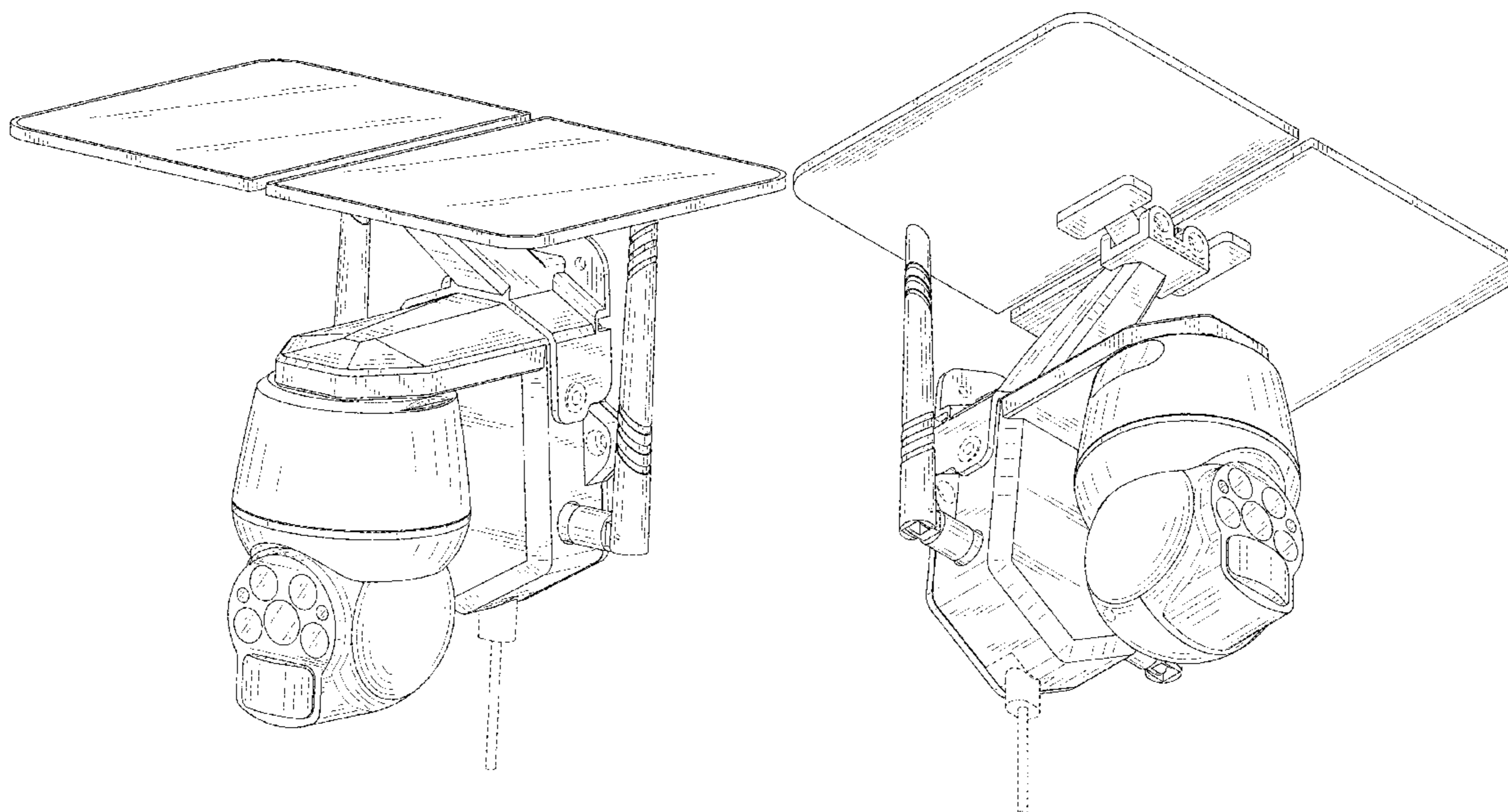
FIG. 9 is a bottom plan view thereof;

FIG. 10 is an enlarged view of portion 10 in FIG. 2; and,

FIG. 11 is a top, front and right side perspective view showing the wireless PTZ camera in a use state.

The broken lines in the drawings illustrate portions of the wireless PTZ camera which form no part of the claimed design. The oblique shade lines in the drawings represent reflective surfaces.

1 Claim, 11 Drawing Sheets



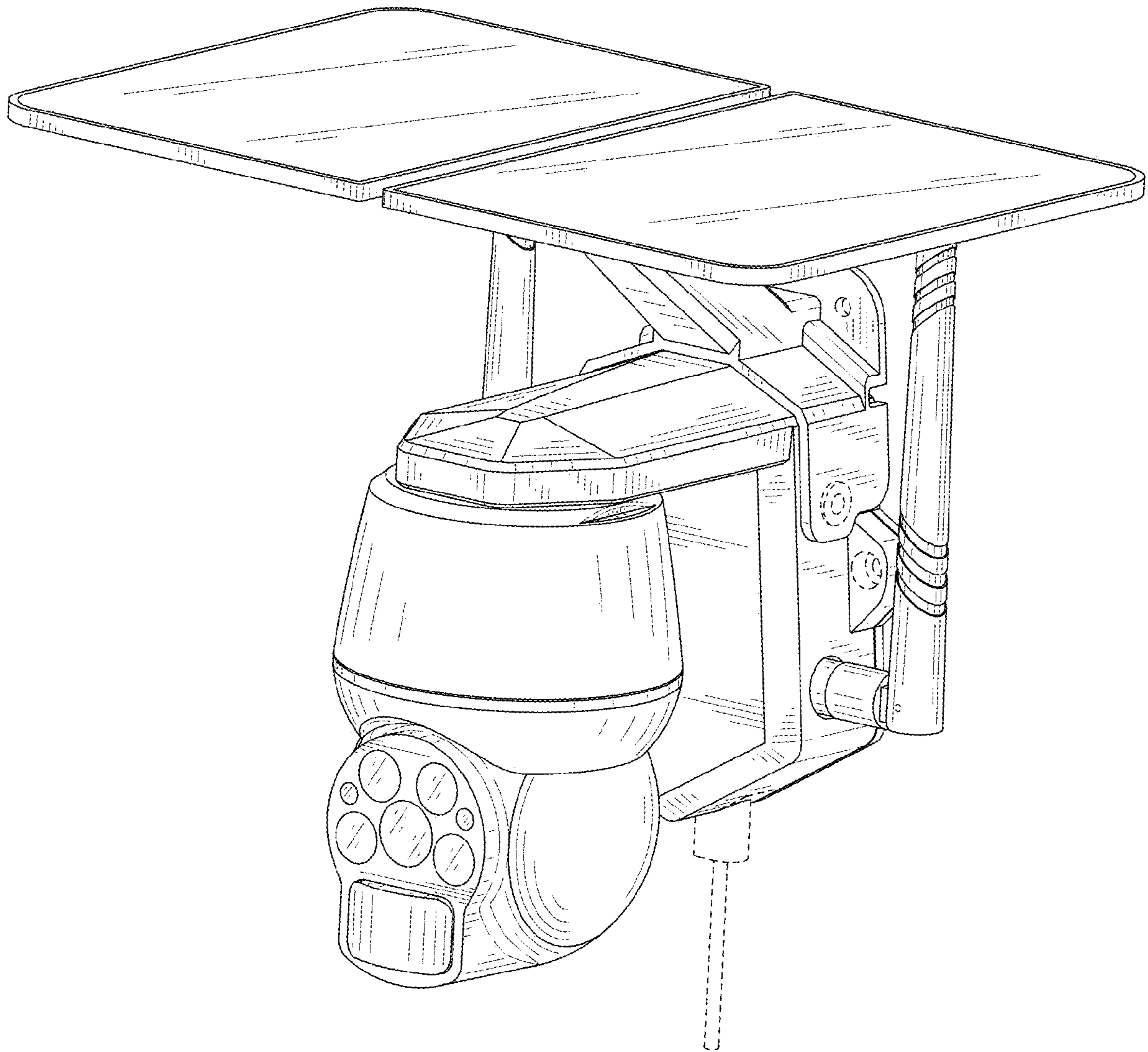


FIG. 1

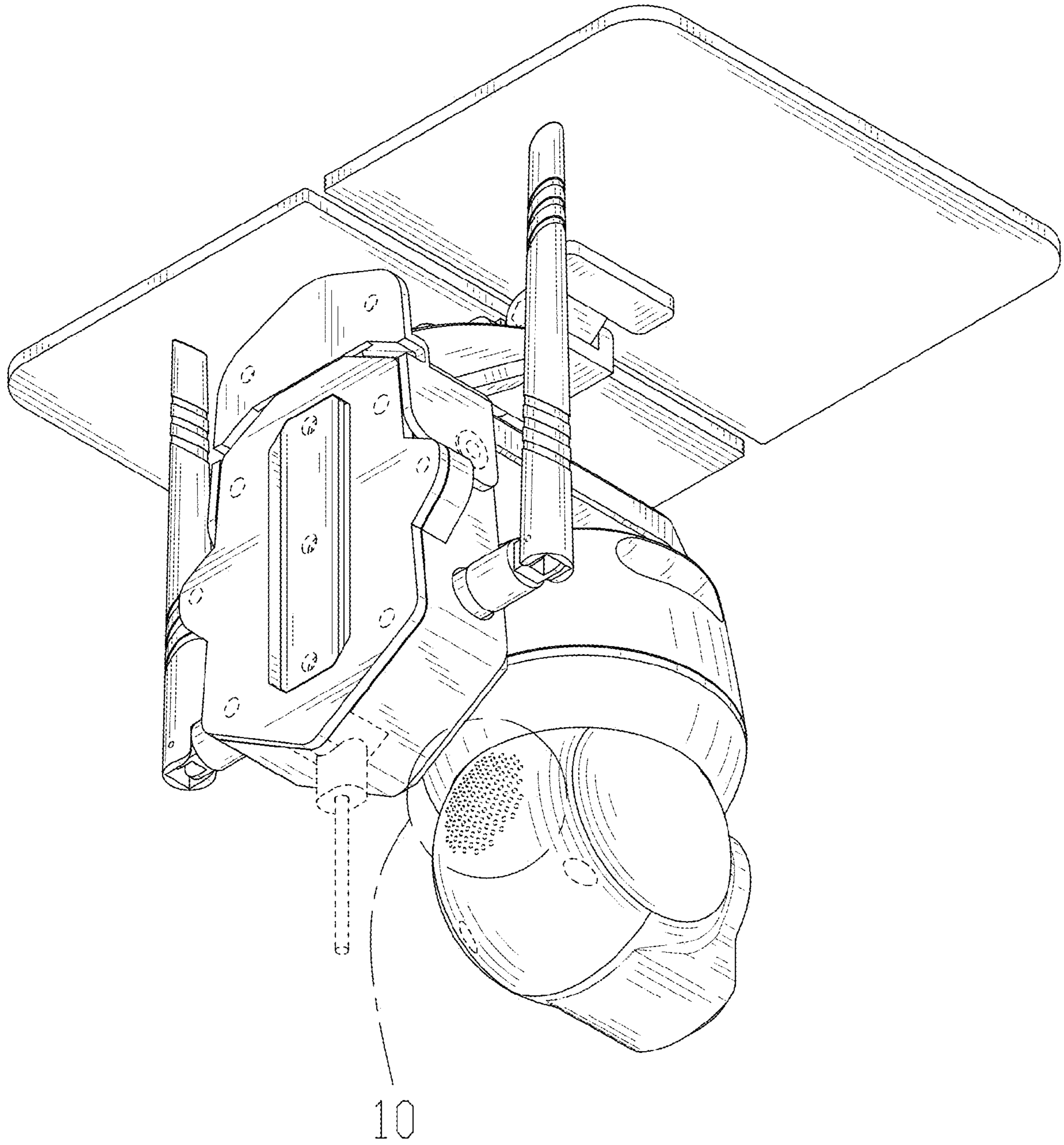


FIG. 2

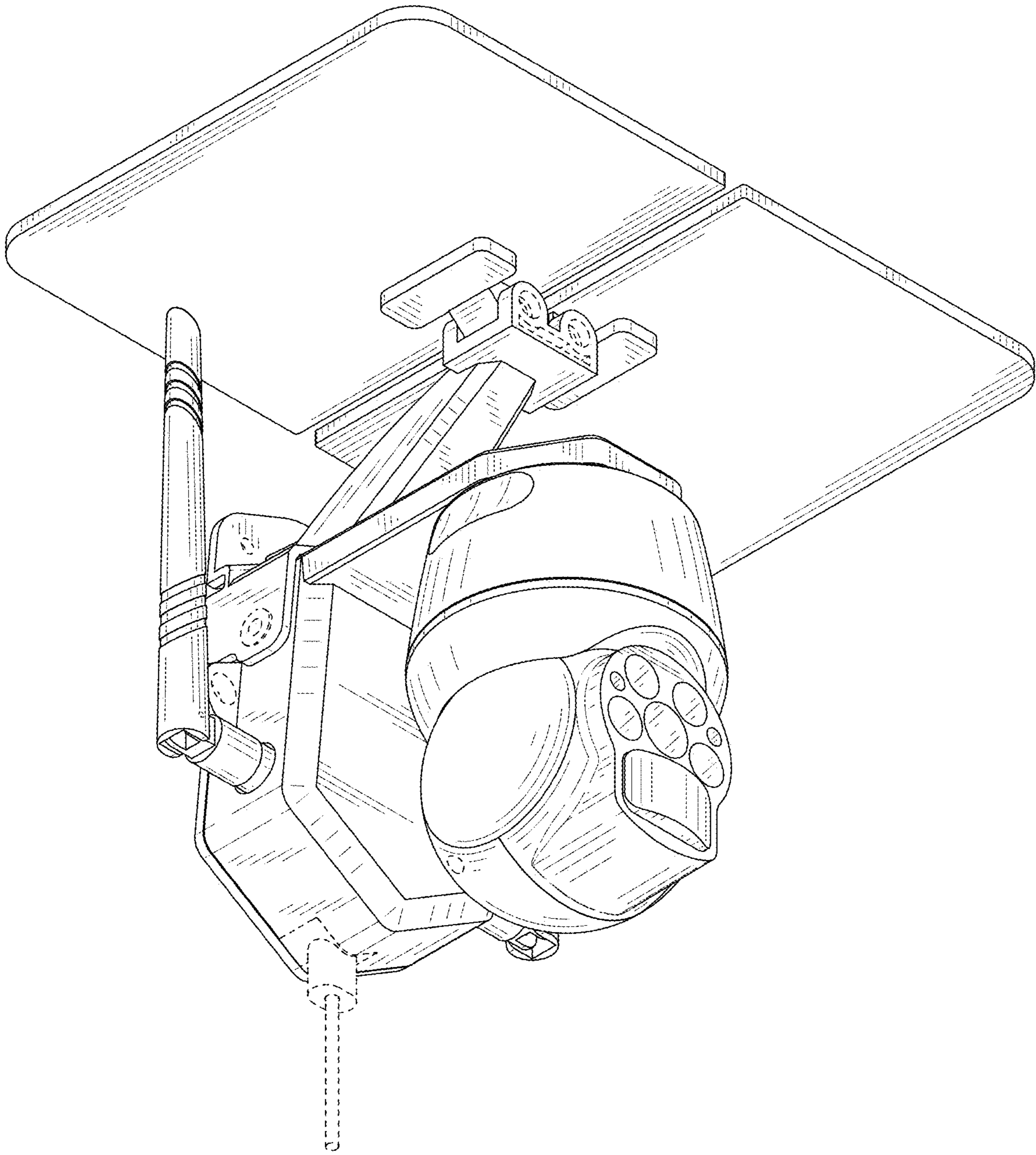


FIG. 3

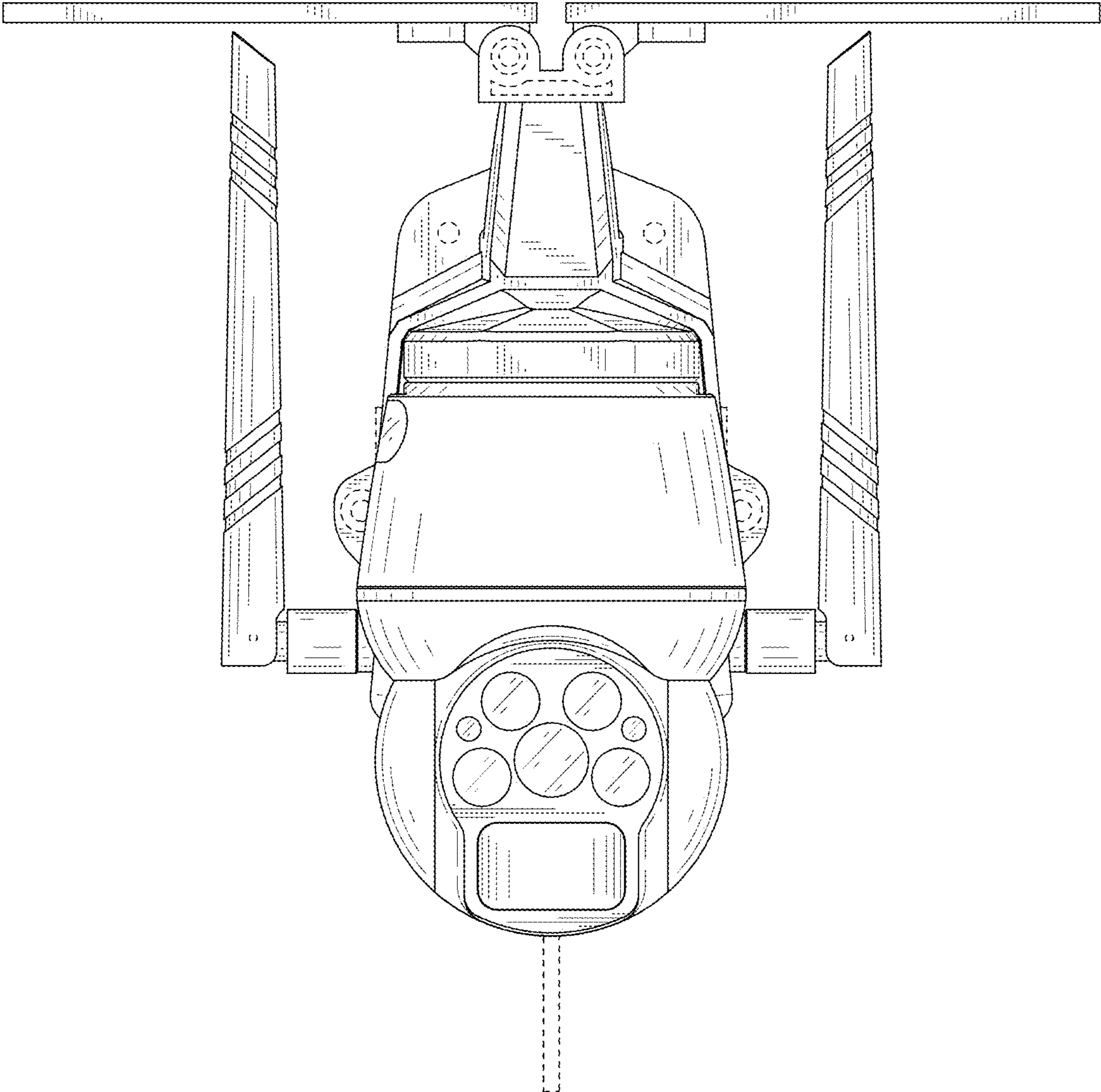


FIG. 4

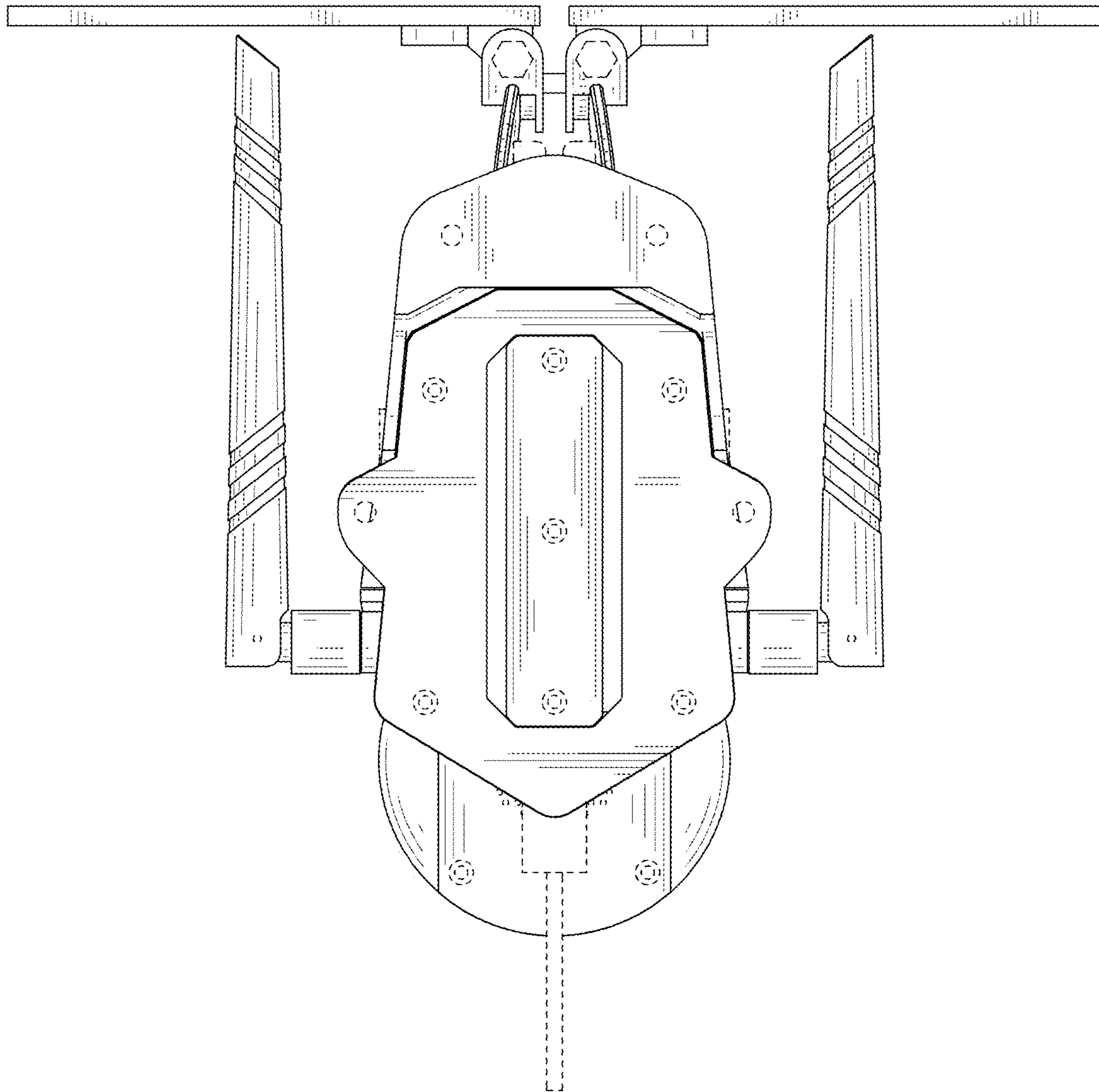


FIG. 5

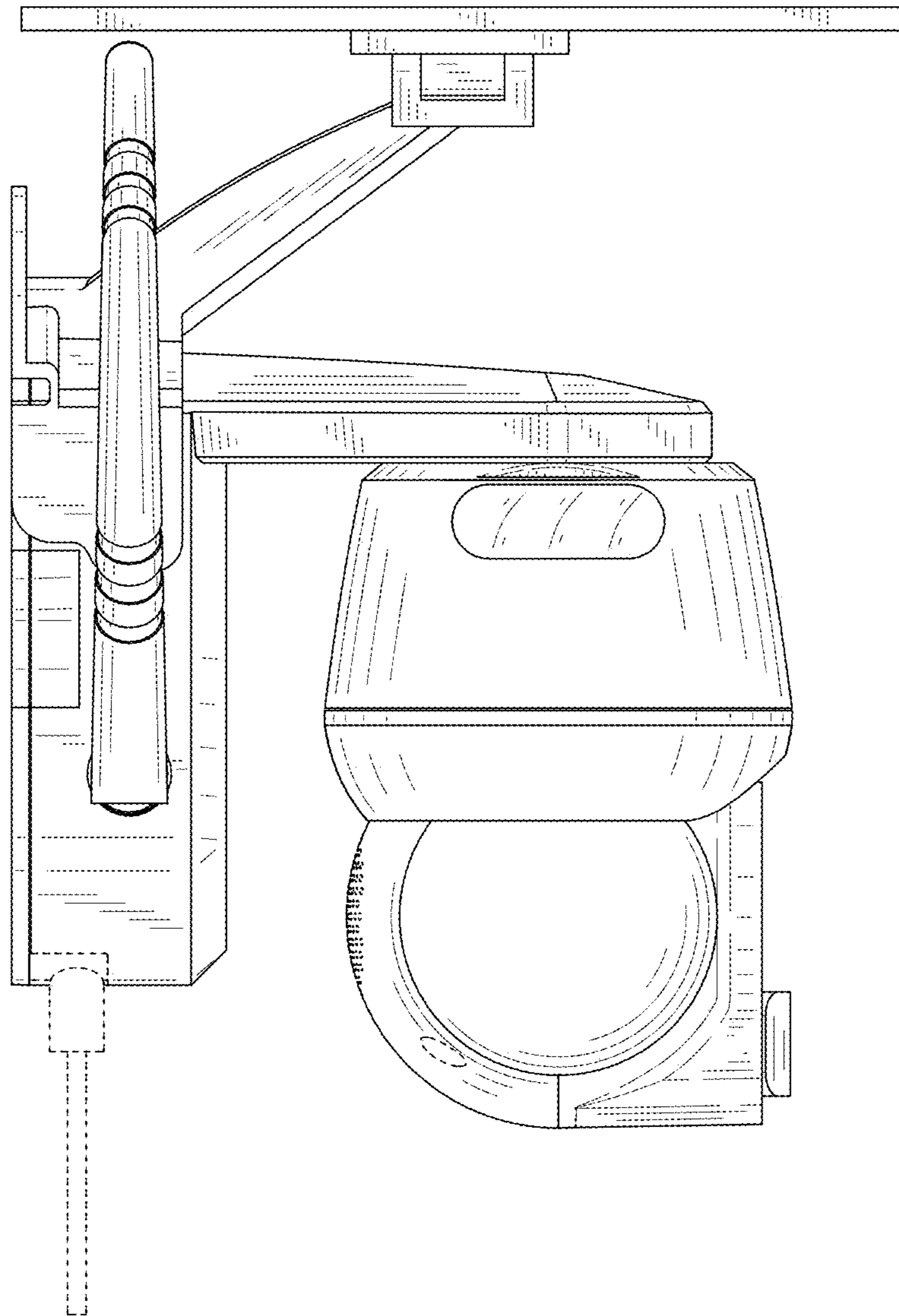


FIG. 6

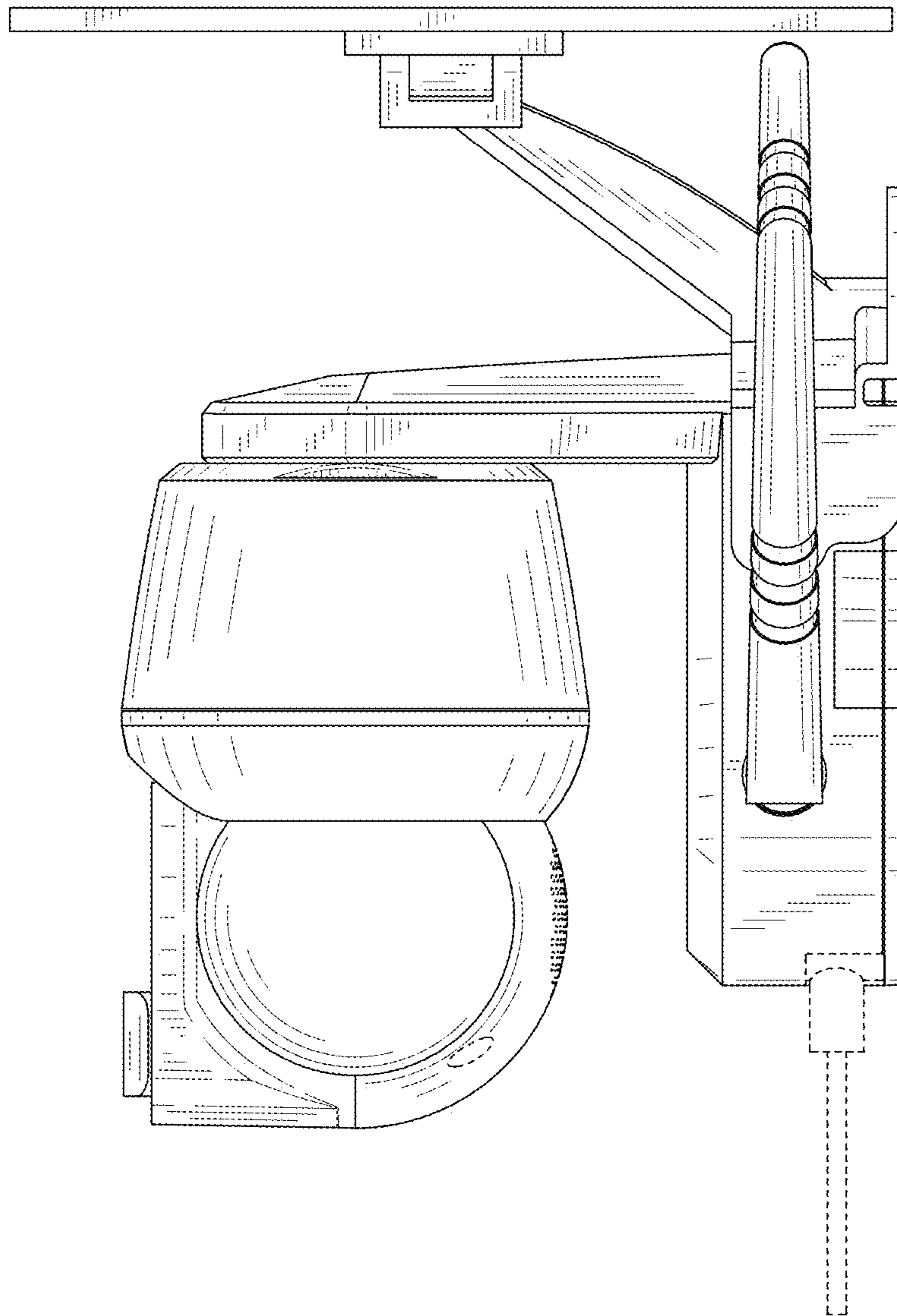


FIG. 7

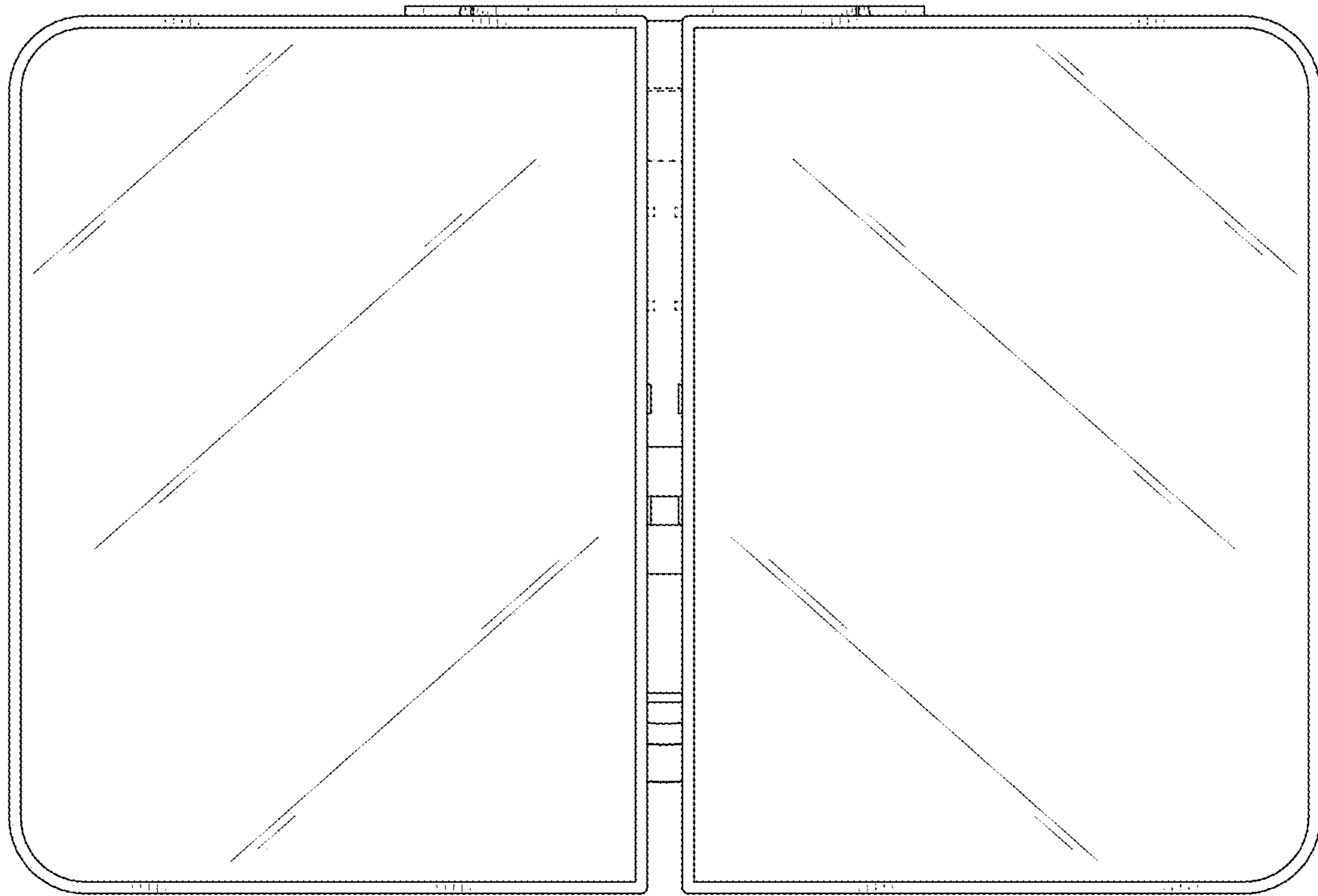


FIG. 8

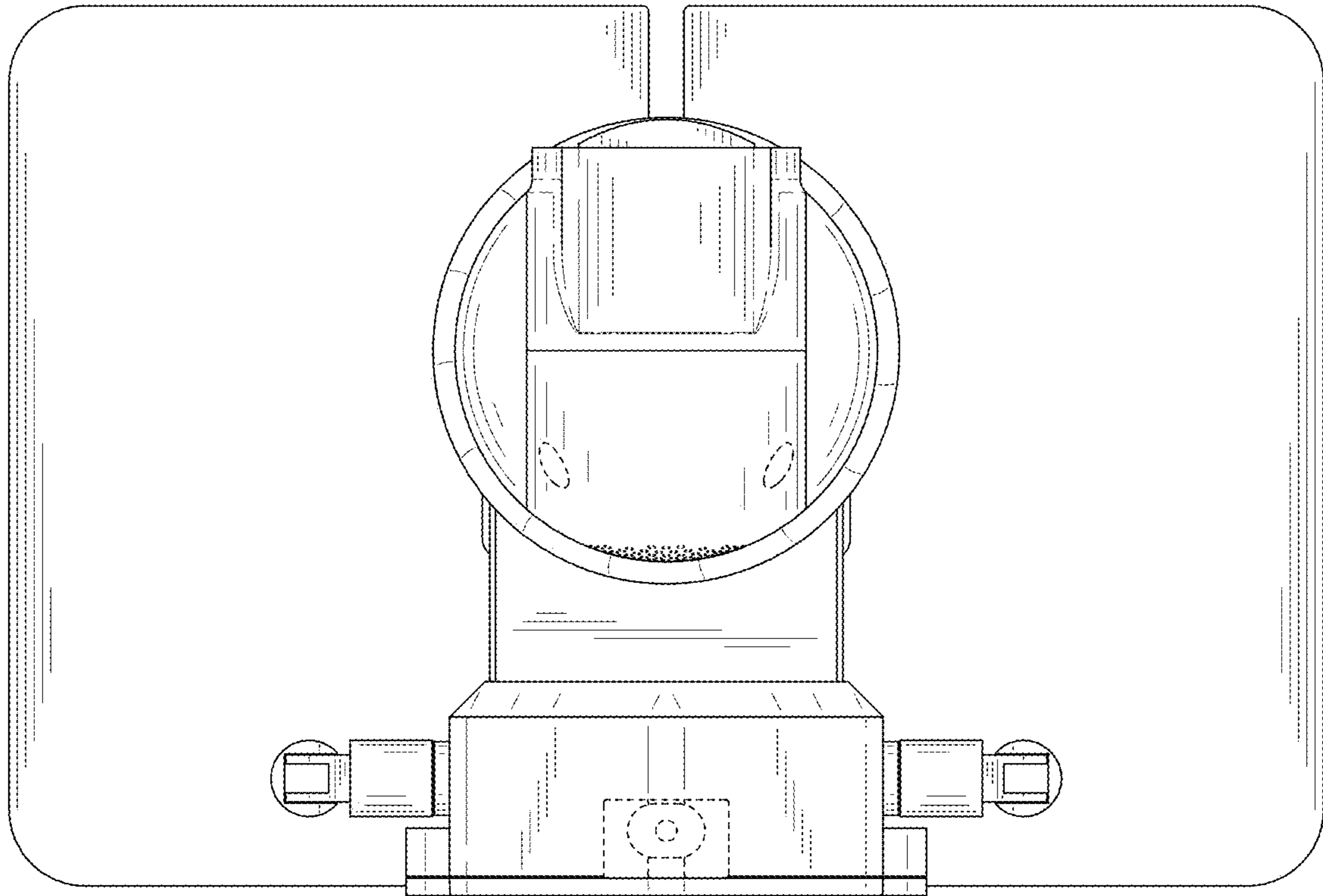


FIG. 9

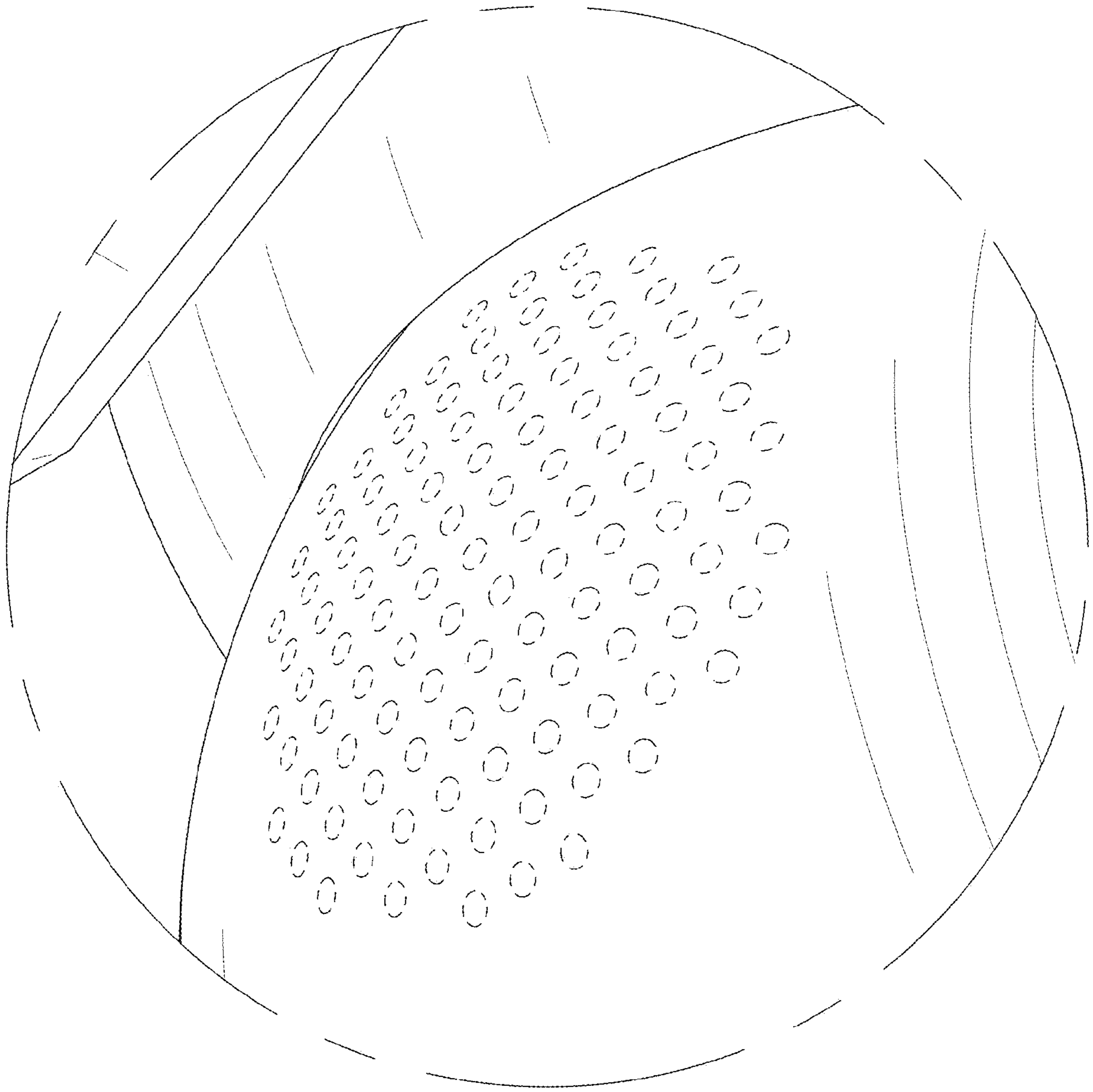


FIG. 10

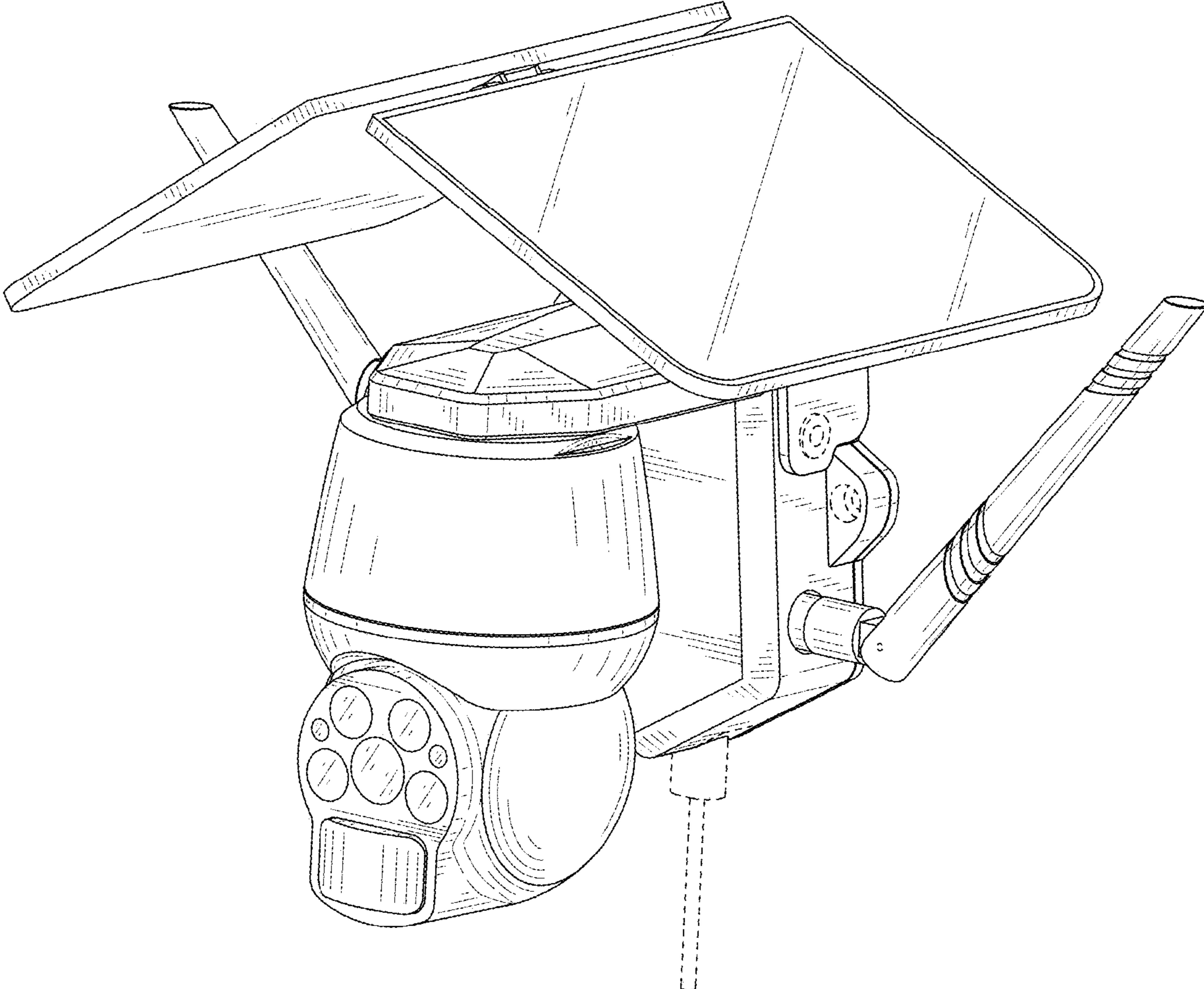


FIG. 11