



US00D961649S

(12) **United States Design Patent**
Liu

(10) **Patent No.:** **US D961,649 S**

(45) **Date of Patent:** **** Aug. 23, 2022**

(54) **BINOCULARS**

(71) Applicant: **Guangzhou Ruiyi Information Technology Co., Ltd.**, Guangzhou (CN)

(72) Inventor: **Binhua Liu**, Guangzhou (CN)

(**) Term: **15 Years**

(21) Appl. No.: **29/704,489**

(22) Filed: **Sep. 5, 2019**

(51) **LOC (13) Cl.** **16-06**

(52) **U.S. Cl.**
USPC **D16/133**

(58) **Field of Classification Search**
USPC D16/130, 133, 136, 237
CPC G02B 23/00; G02B 23/18
See application file for complete search history.

(56) **References Cited**

U.S. PATENT DOCUMENTS

- D152,828 S * 2/1949 Ritholz D16/133
- D198,402 S * 6/1964 Maguire D16/133
- D240,458 S * 7/1976 Takahashi et al. D16/133
- D242,243 S * 11/1976 Takahashi et al. D16/133

- D275,400 S * 9/1984 Huckenbeck D16/133
- D305,433 S * 1/1990 Kobayashi D16/133
- D377,185 S * 1/1997 Nojima D16/132
- D421,997 S * 3/2000 Kawahata D16/133
- D427,220 S * 6/2000 Lee D16/133
- D488,178 S * 4/2004 Huang D16/133
- D510,097 S * 9/2005 Meinzer D16/133
- D841,071 S * 2/2019 Soejima D16/133

* cited by examiner

Primary Examiner — Holly E Thurman

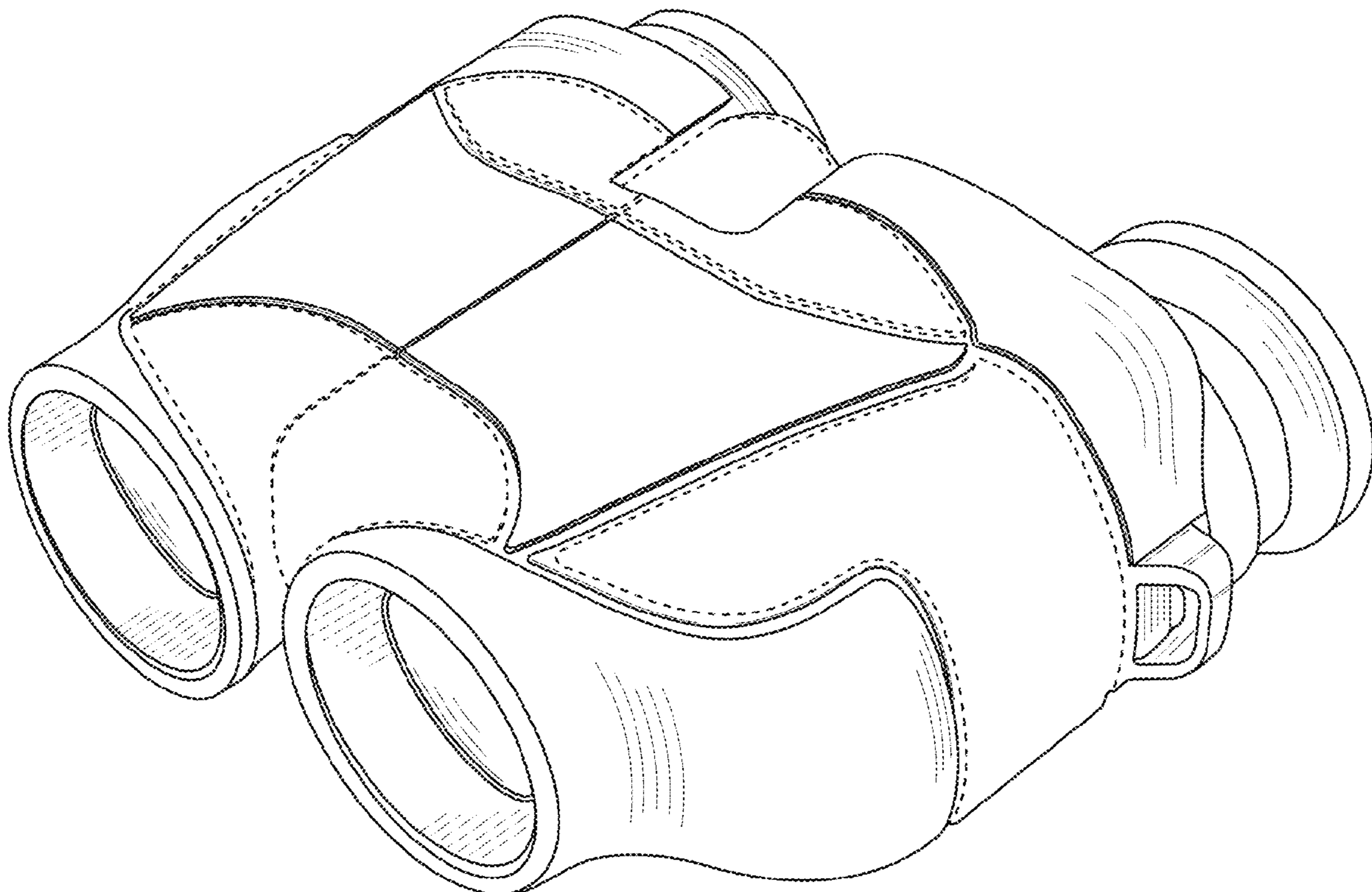
(57) **CLAIM**

The ornamental design for a binoculars, as shown and described.

DESCRIPTION

FIG. 1 is a Perspective view of a binoculars showing my new design;
 FIG. 2 is a front view thereof;
 FIG. 3 is a back view thereof;
 FIG. 4 is a top view thereof;
 FIG. 5 is a bottom view thereof;
 FIG. 6 is a left side view thereof; and,
 FIG. 7 is a right side view thereof.
 The broken lines in the drawing depict portions of the binoculars that form no part of the claimed design.

1 Claim, 7 Drawing Sheets



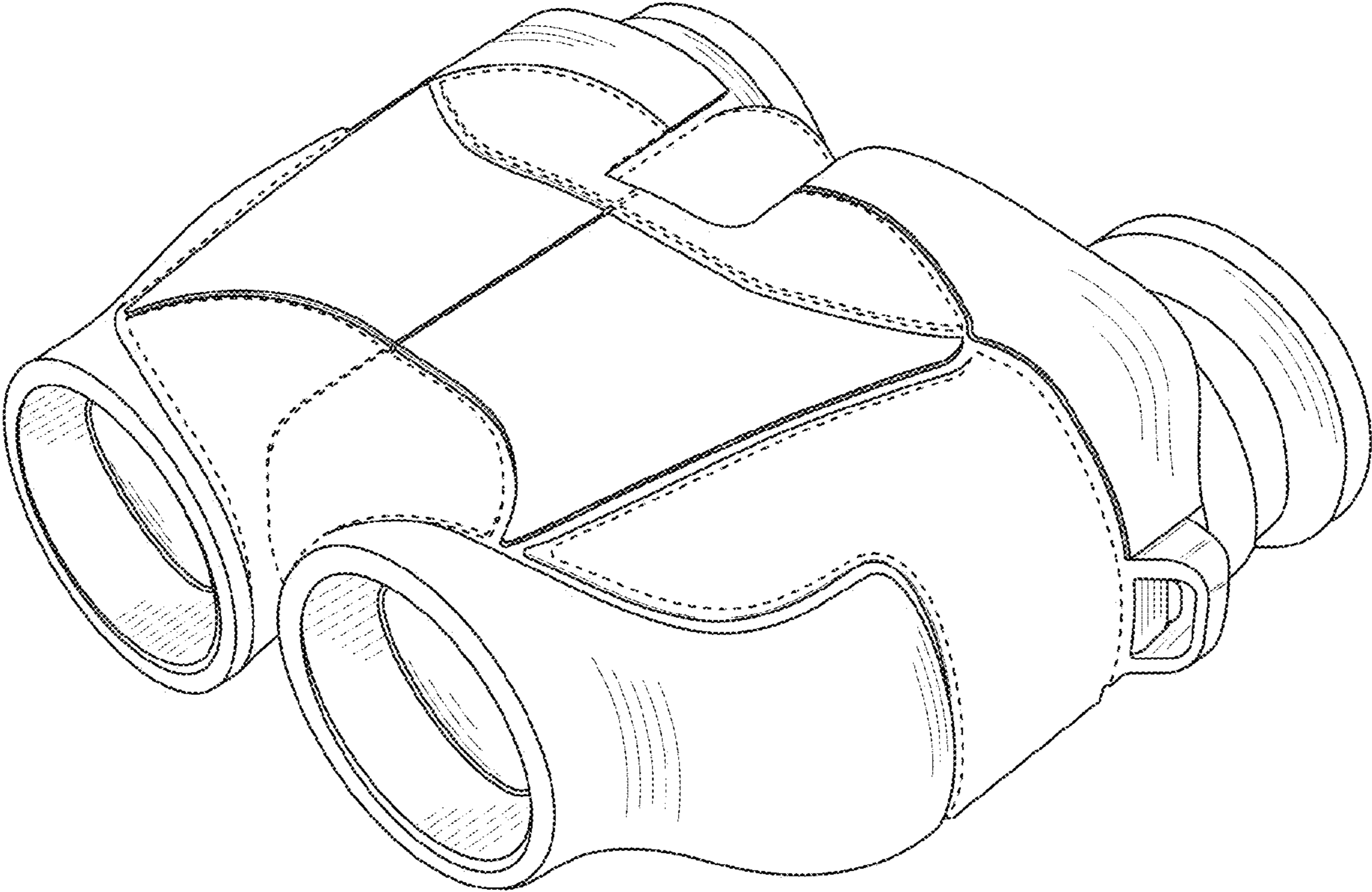


FIG. 1

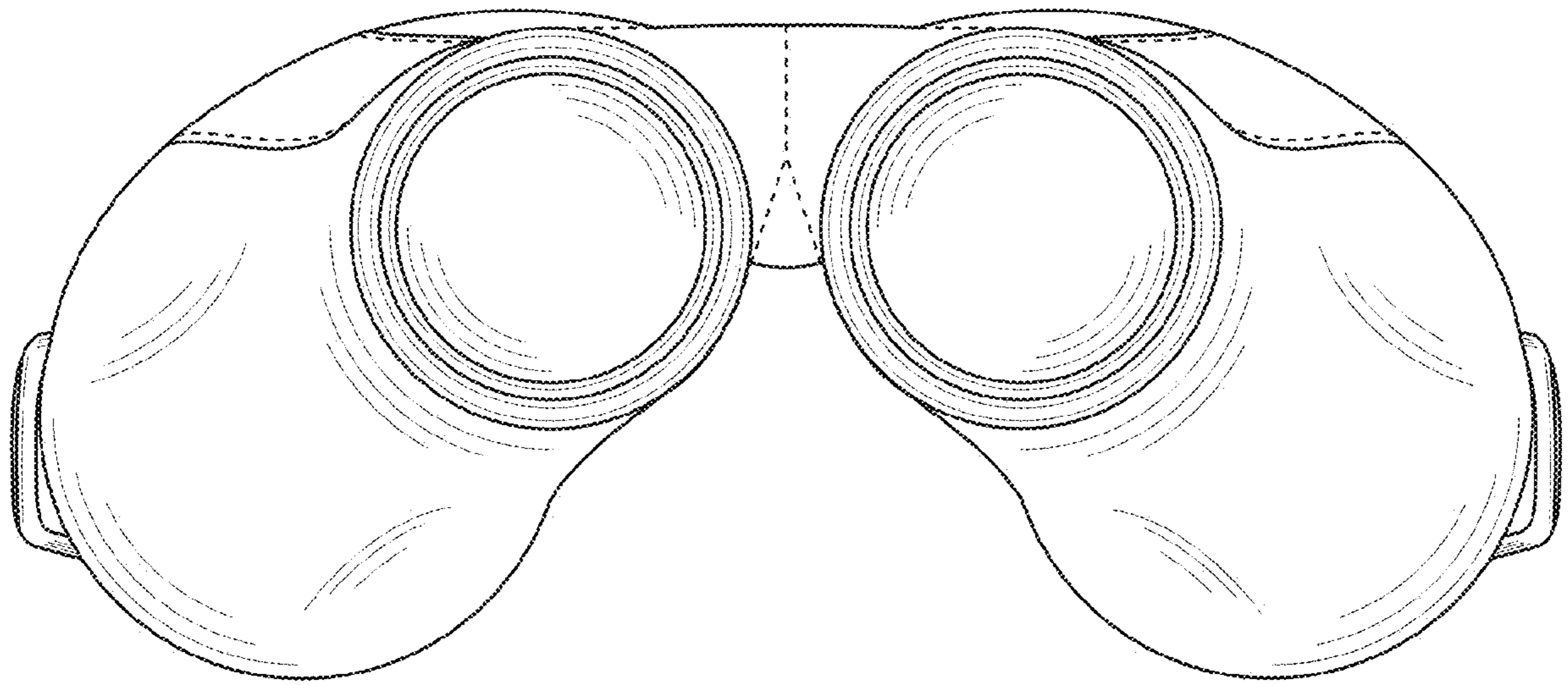


FIG. 2

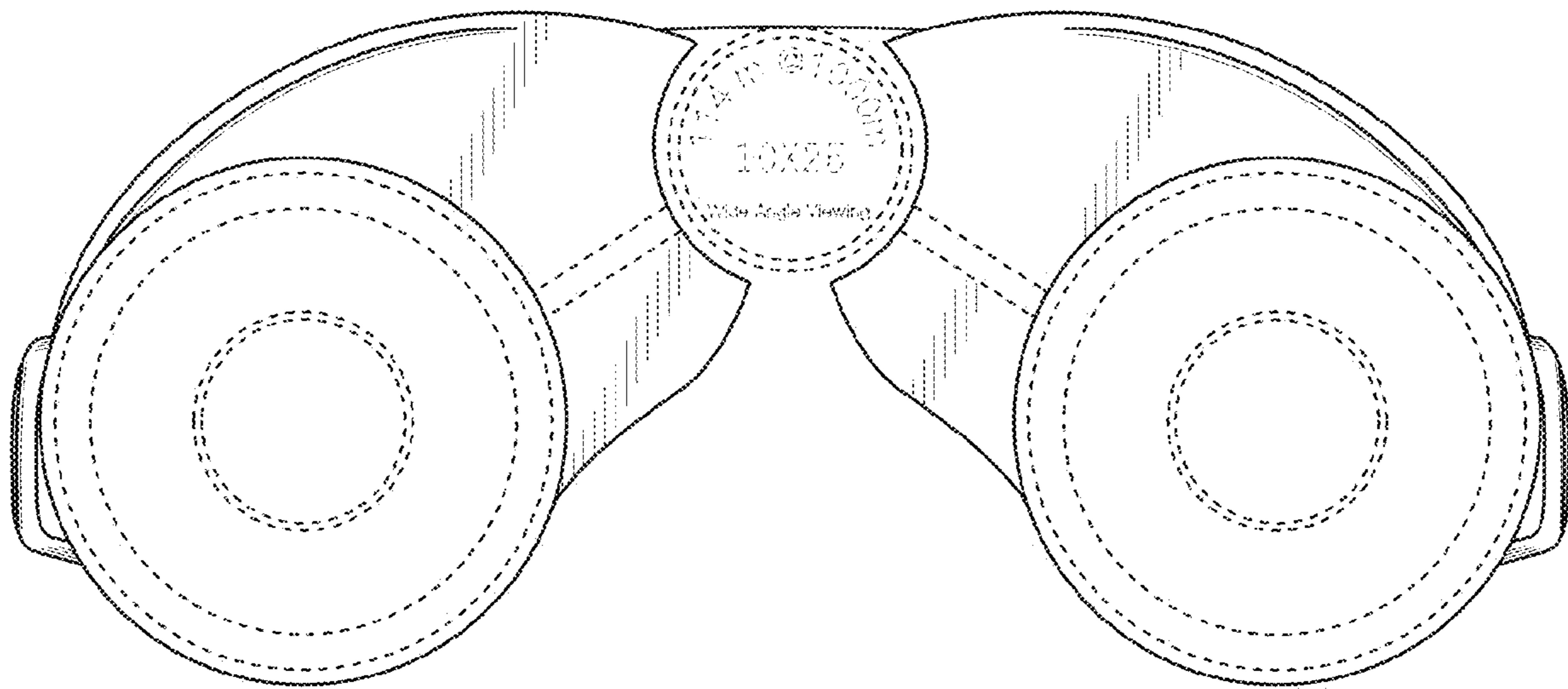


FIG. 3

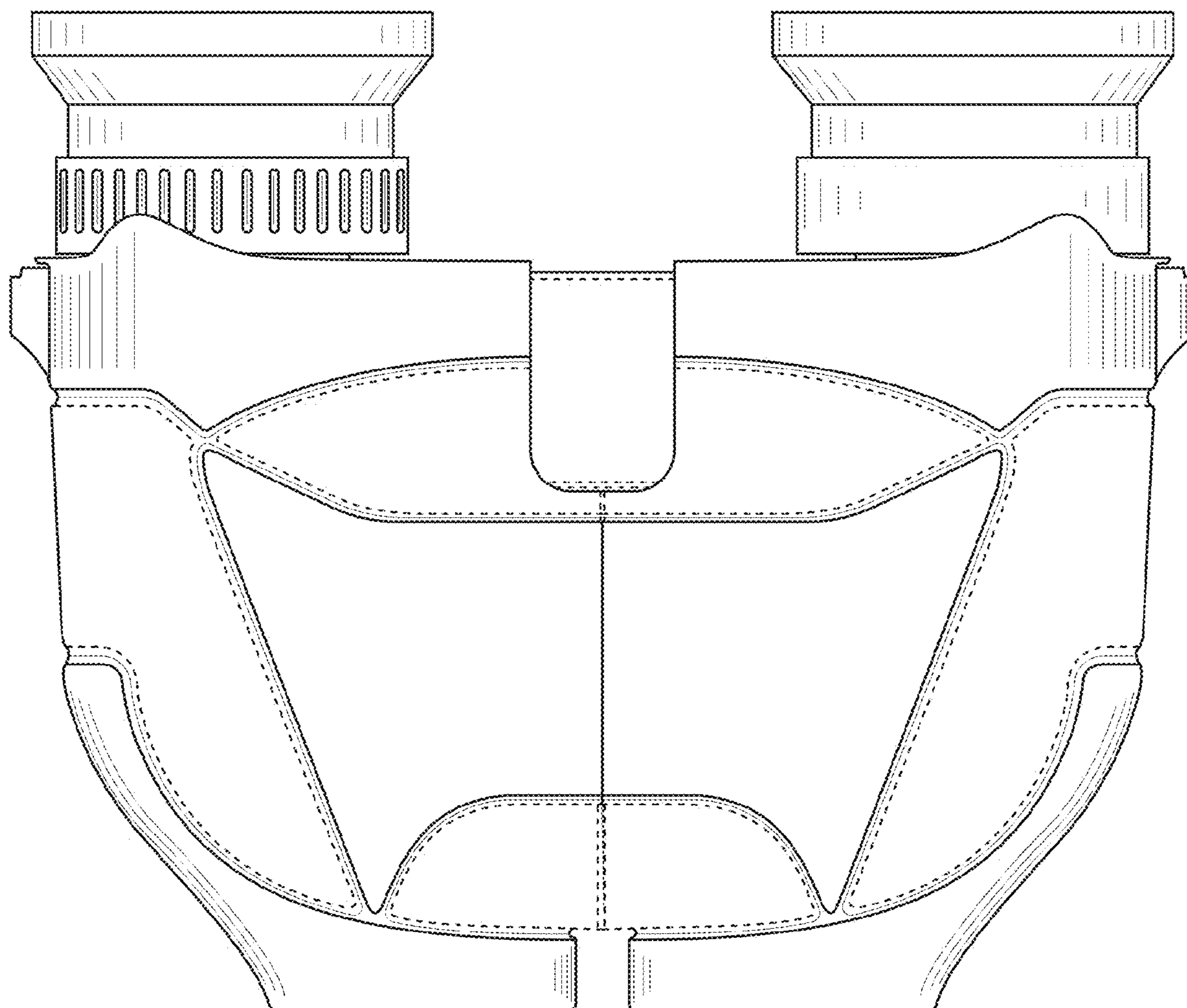


FIG. 4

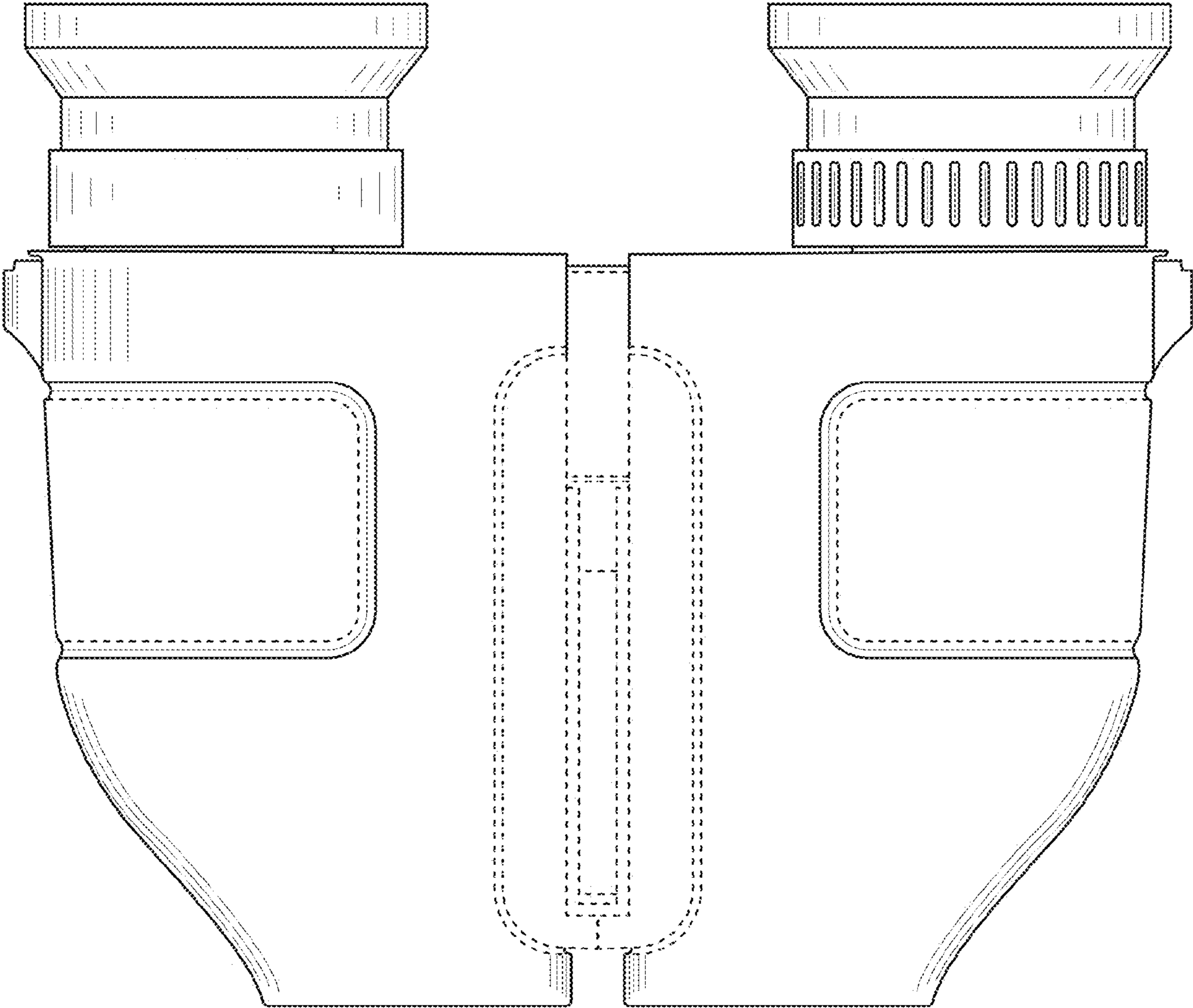


FIG. 5

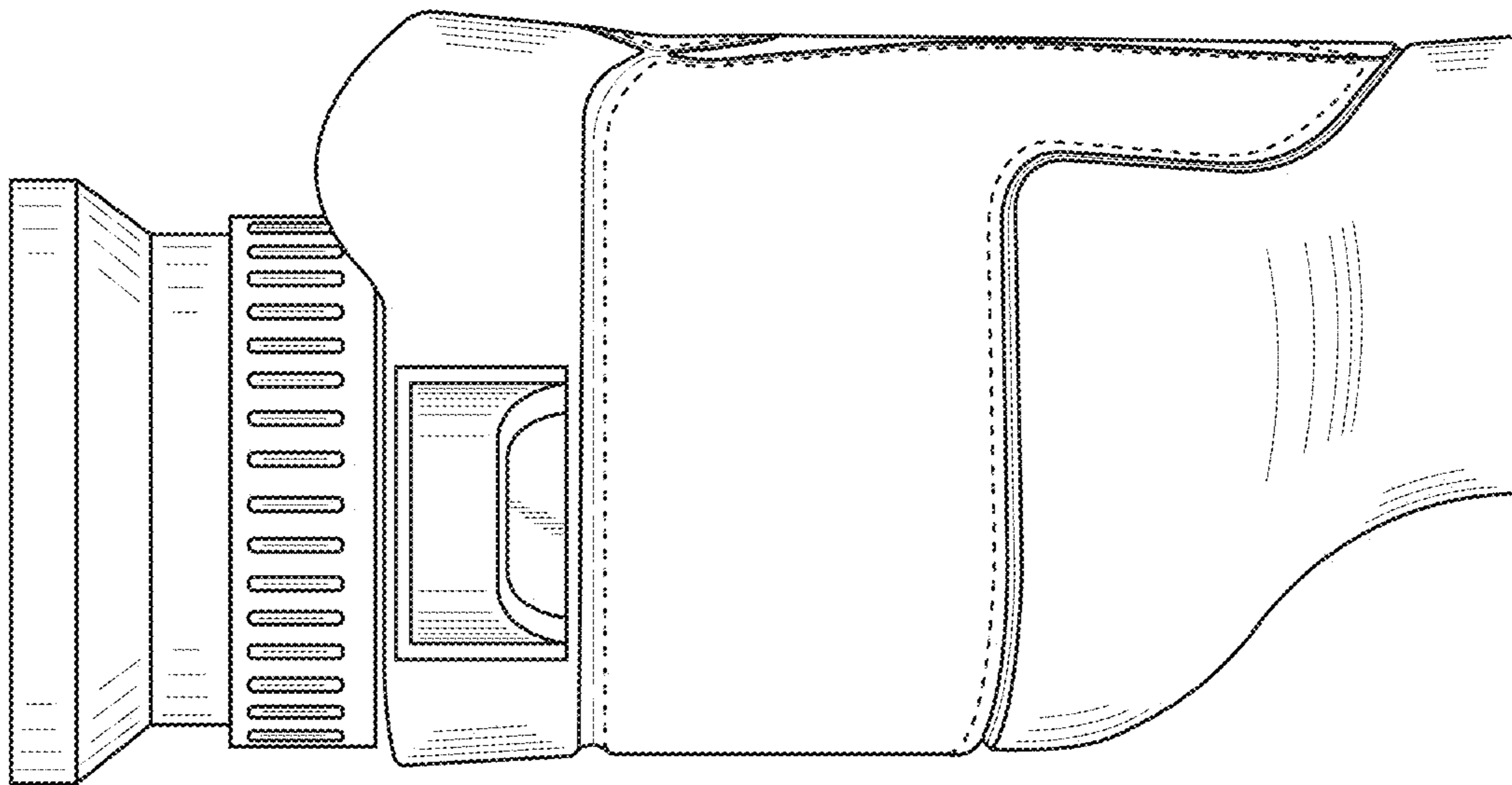


FIG. 6

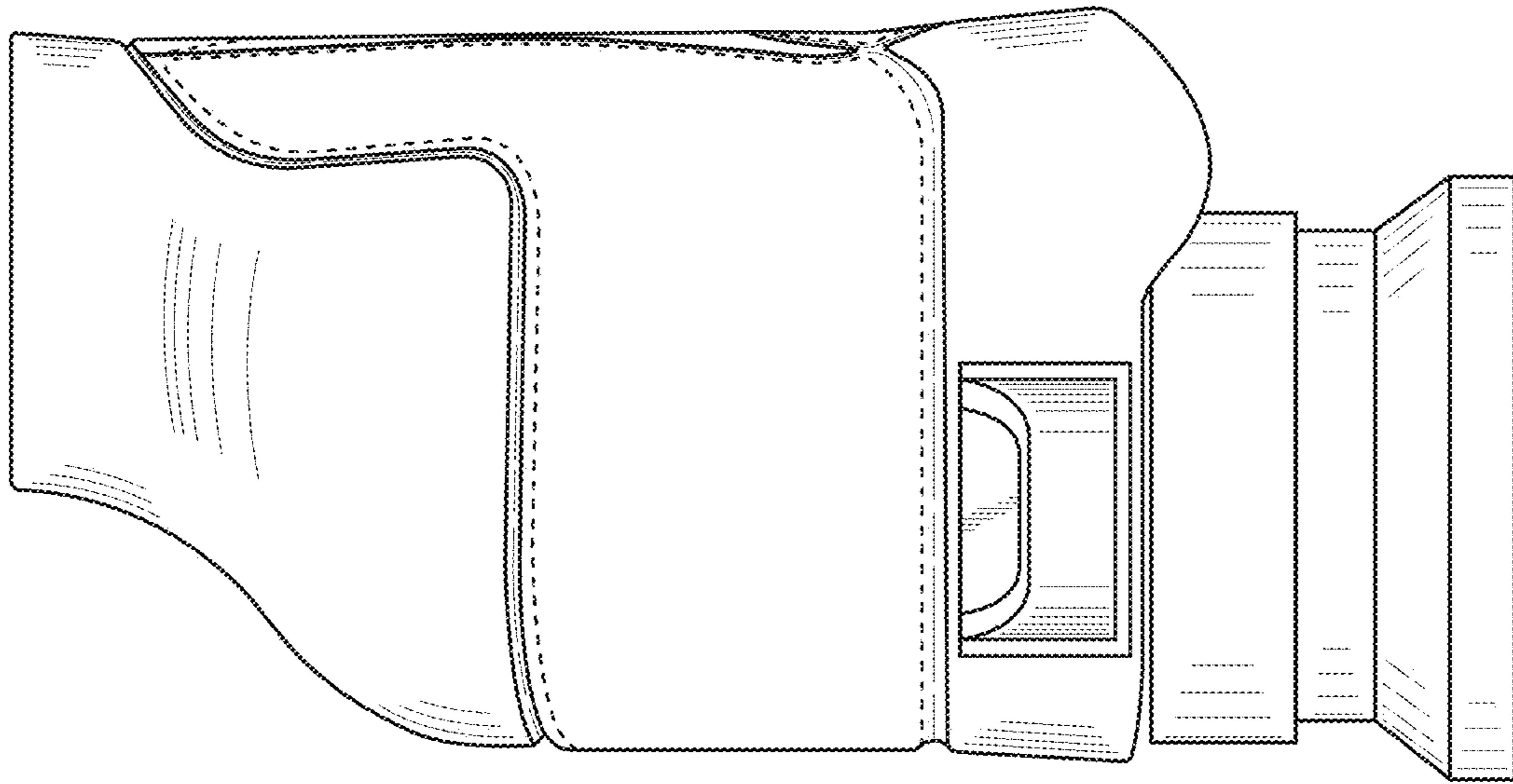


FIG. 7