



US00D961646S

(12) **United States Design Patent** (10) **Patent No.:** **US D961,646 S**
Kong et al. (45) **Date of Patent:** **** Aug. 23, 2022**

(54) **WAREHOUSE ROBOT** 5,187,664 A * 2/1993 Yardley G05D 1/0265
180/167
(71) Applicant: **Shenzhen Hairou Innovation** 5,324,948 A * 6/1994 Dudar G01S 15/931
Technology Co., Ltd., Shenzhen (CN) 250/253
(72) Inventors: **Zhe Kong, Shenzhen (CN); Yeguang** D384,468 S 9/1997 Tobias
Chen, Shenzhen (CN); Qingxin Zhan, D625,059 S * 10/2010 Morenstein D32/21
Shenzhen (CN) 8,898,844 B1 * 12/2014 Dooley A47L 11/408
15/98
(73) Assignee: **HAI ROBOTICS CO., LTD.,** D722,631 S * 2/2015 Stone D15/199
Shenzhen (CN) D743,647 S * 11/2015 Heck D32/21
D810,799 S * 2/2018 Sokuza D15/199
D812,663 S * 3/2018 Waters D15/199

(Continued)

(**) Term: **15 Years**

FOREIGN PATENT DOCUMENTS

(21) Appl. No.: **29/777,083**

CN 303126323 S 3/2015
CN 303986810 S 12/2016

(22) Filed: **Apr. 2, 2021**

(Continued)

Related U.S. Application Data

(62) Division of application No. 29/701,254, filed on Aug. 9, 2019, now Pat. No. Des. 918,281.

OTHER PUBLICATIONS

Search Report from Chinese Intellectual Property Office for counterpart application CN201930102294.2 dated Aug. 23, 2019.

(30) **Foreign Application Priority Data**

Mar. 13, 2019 (CN) 201930102294.2

Primary Examiner — Patricia A Palasik

(51) **LOC (13) Cl.** **15-99**

(74) *Attorney, Agent, or Firm* — Rimon PC

(52) **U.S. Cl.**
USPC **D15/199**

(57) **CLAIM**

The ornamental design for a warehouse robot, as shown.

(58) **Field of Classification Search**
USPC D15/122, 199; D21/578–583, 621, 622;
D34/18, 28, 34
CPC B65G 1/0435; B65G 1/1373; B65G
2203/0216; B66F 9/063; G06Q 10/08
See application file for complete search history.

DESCRIPTION

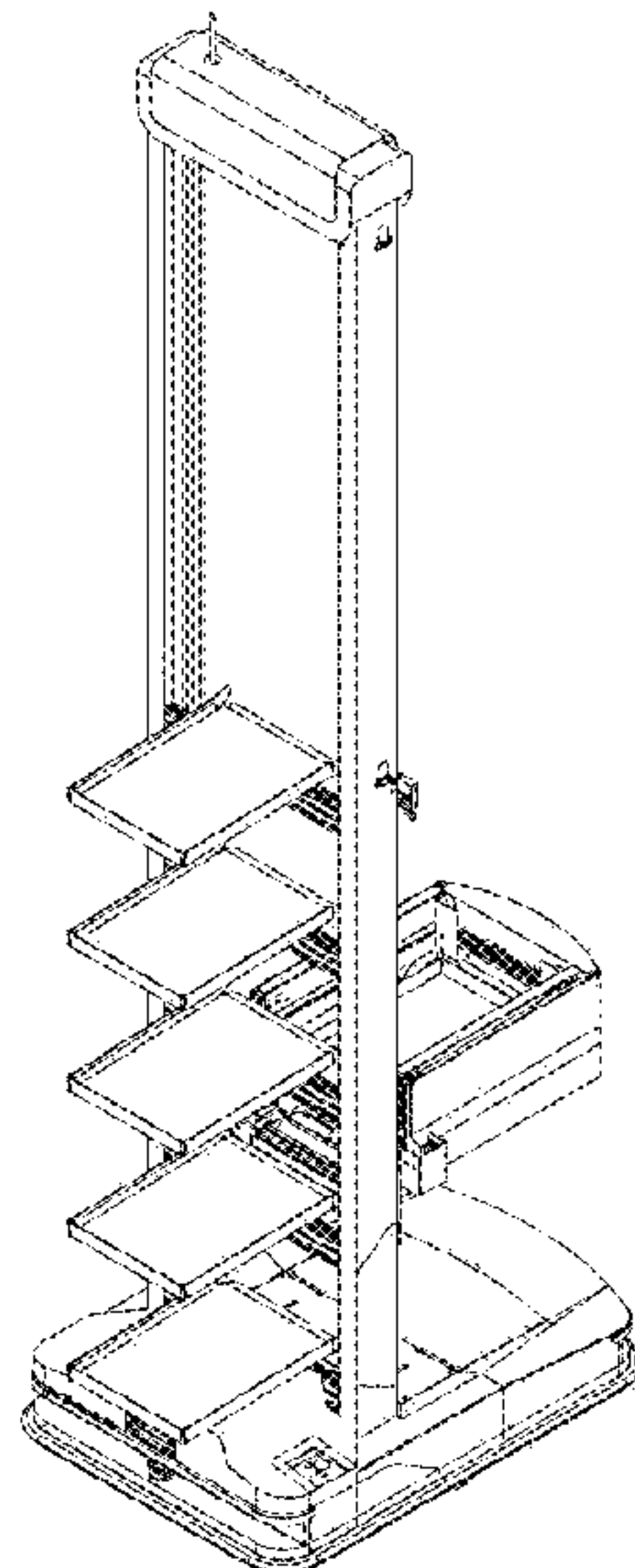
FIG. 1 is a perspective view of a warehouse robot showing a second embodiment of the claimed design;
FIG. 2 is another perspective view of the second embodiment;
FIG. 3 is a front view thereof;
FIG. 4 is a back view thereof;
FIG. 5 is a side view thereof;
FIG. 6 is another side view thereof; and,
FIG. 7 is a top view thereof.

(56) **References Cited**

U.S. PATENT DOCUMENTS

D314,401 S * 2/1991 Lehman D20/3
5,127,486 A * 7/1992 Yardley B62D 1/28
180/168

1 Claim, 7 Drawing Sheets



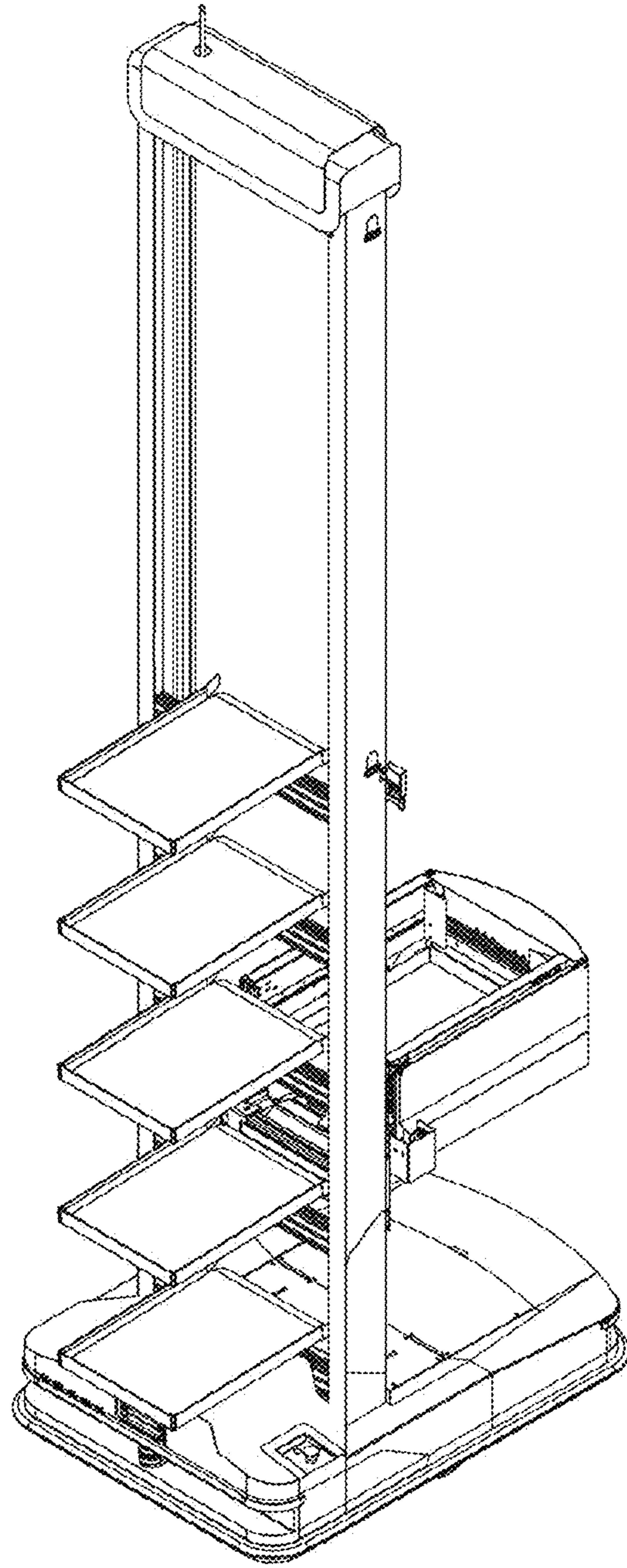


Fig. 1

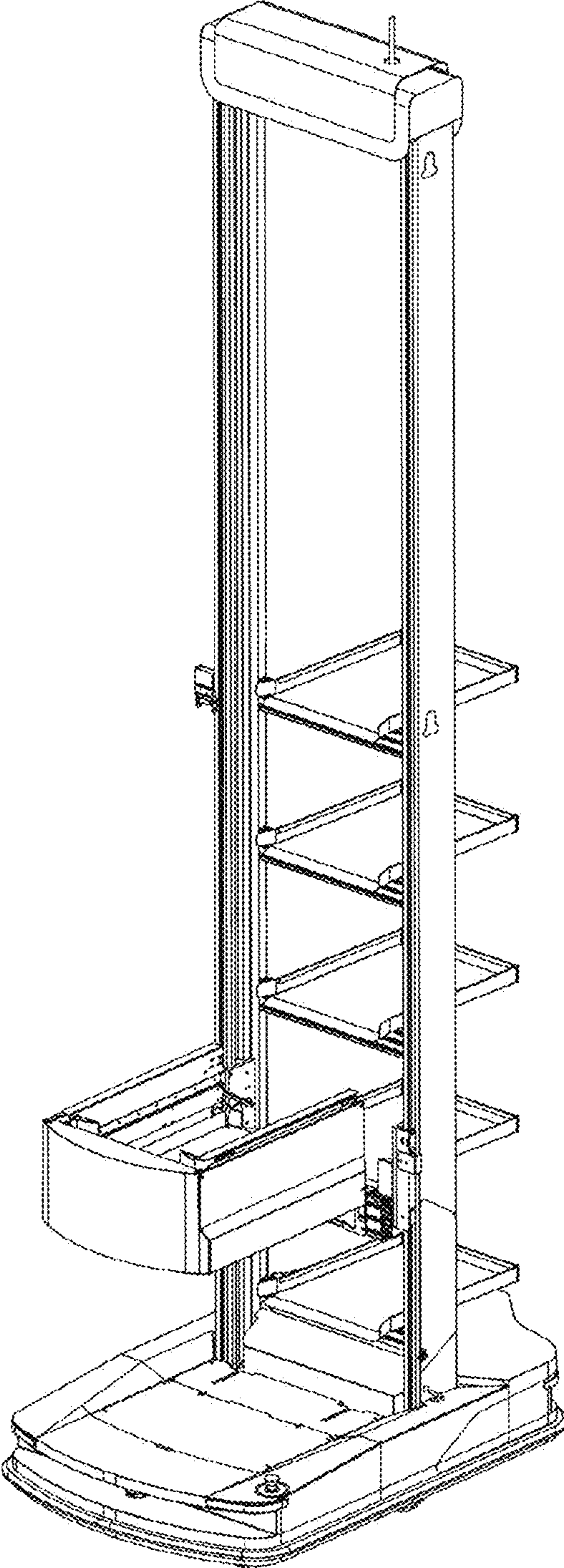


Fig. 2

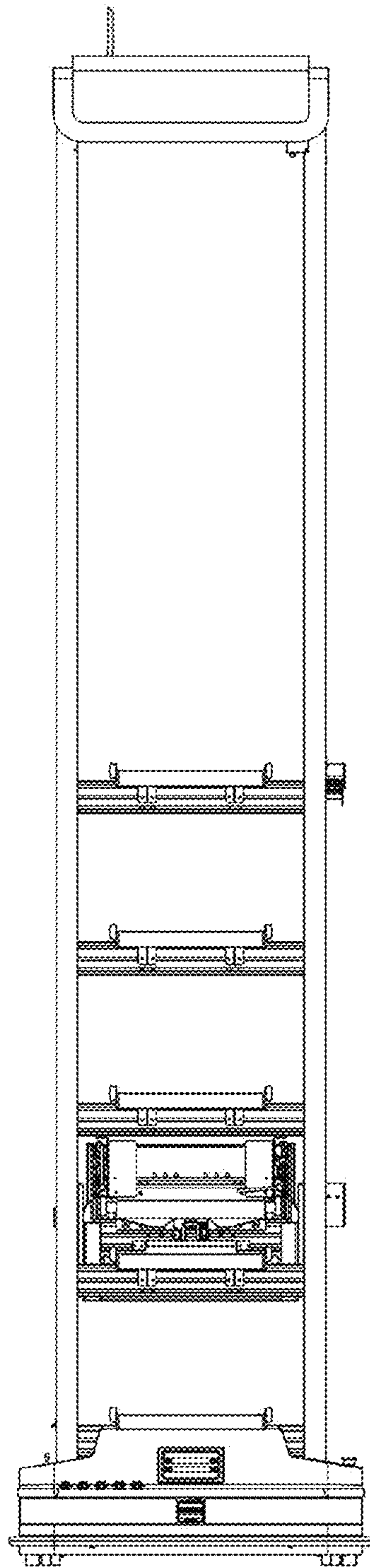


Fig. 3

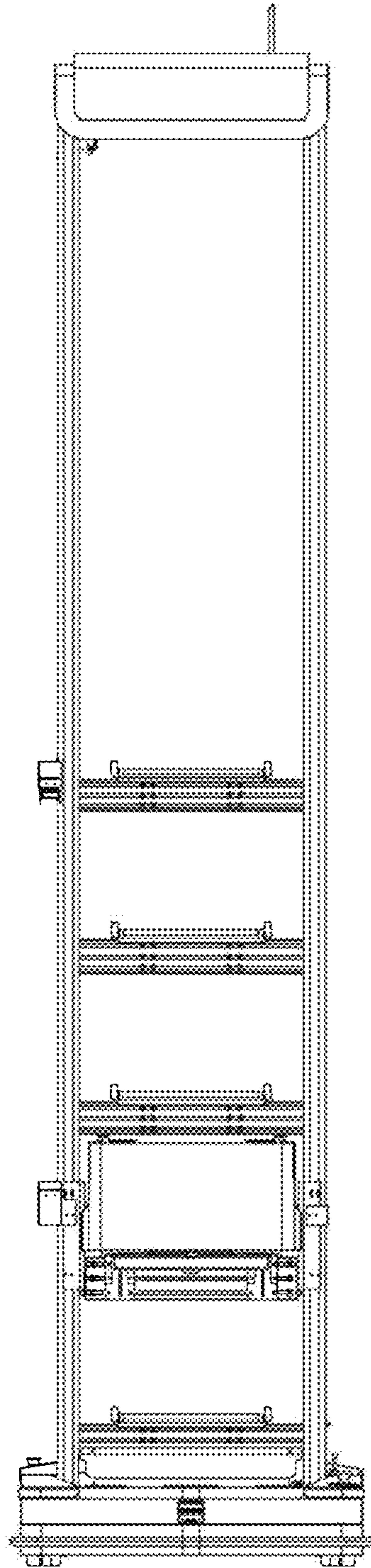


Fig. 4

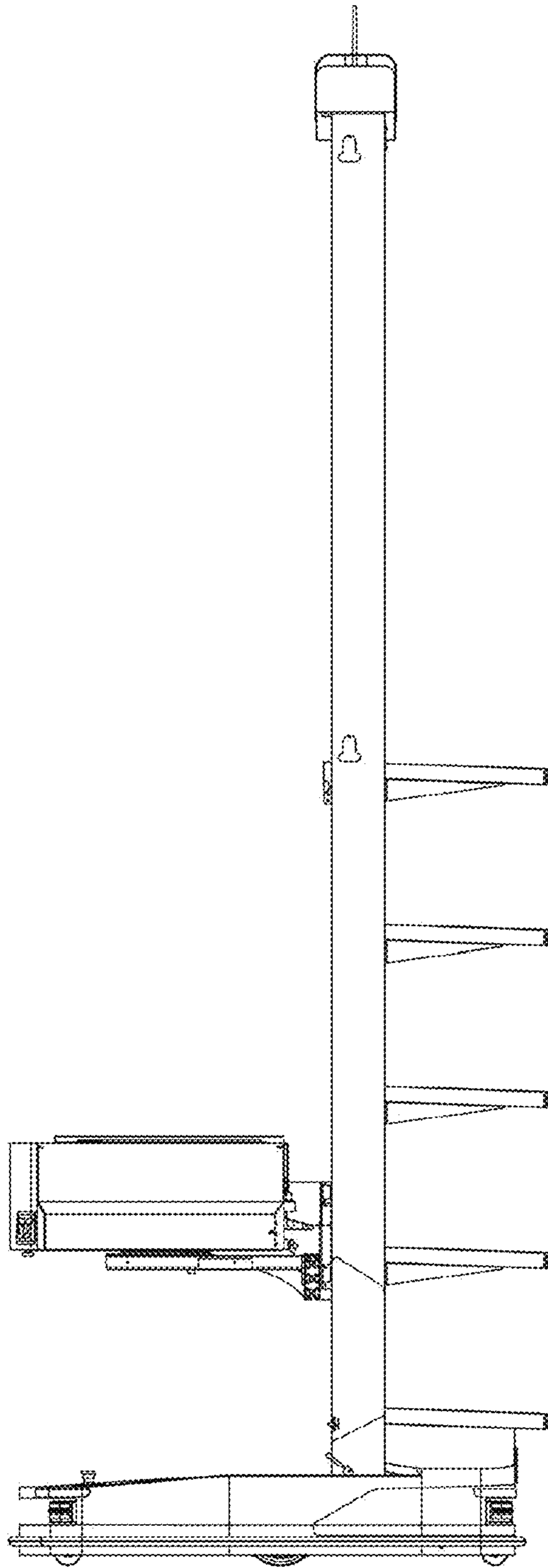


Fig. 5

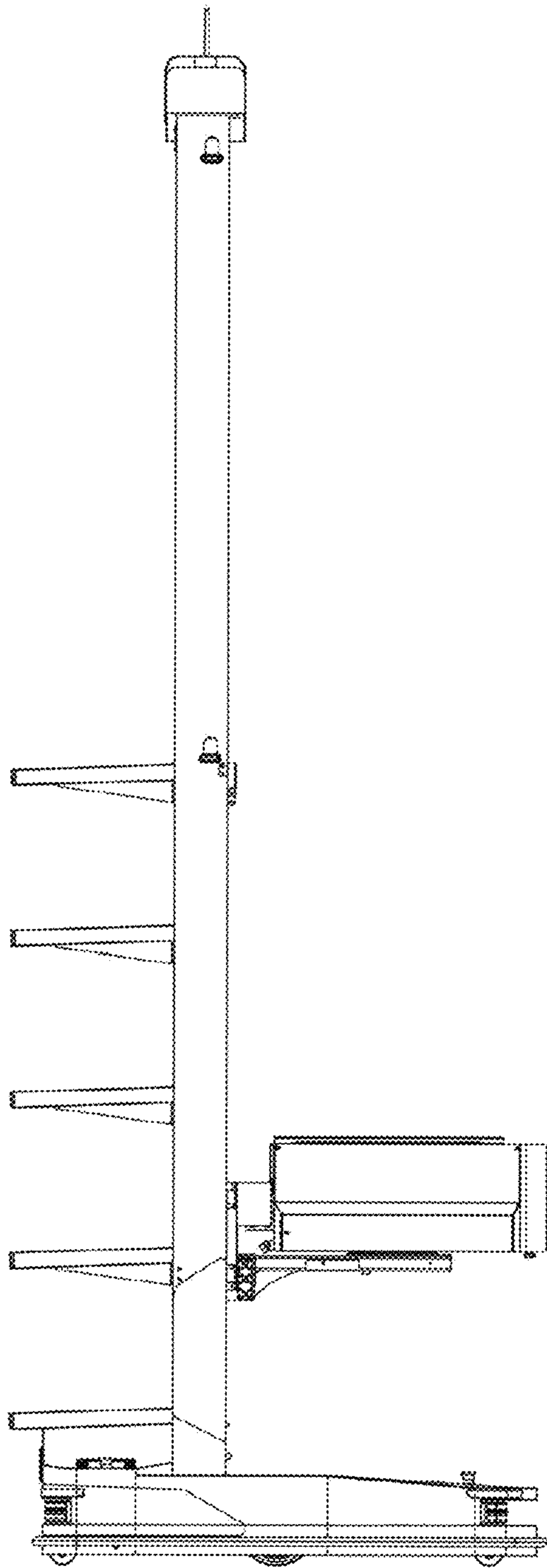


Fig. 6

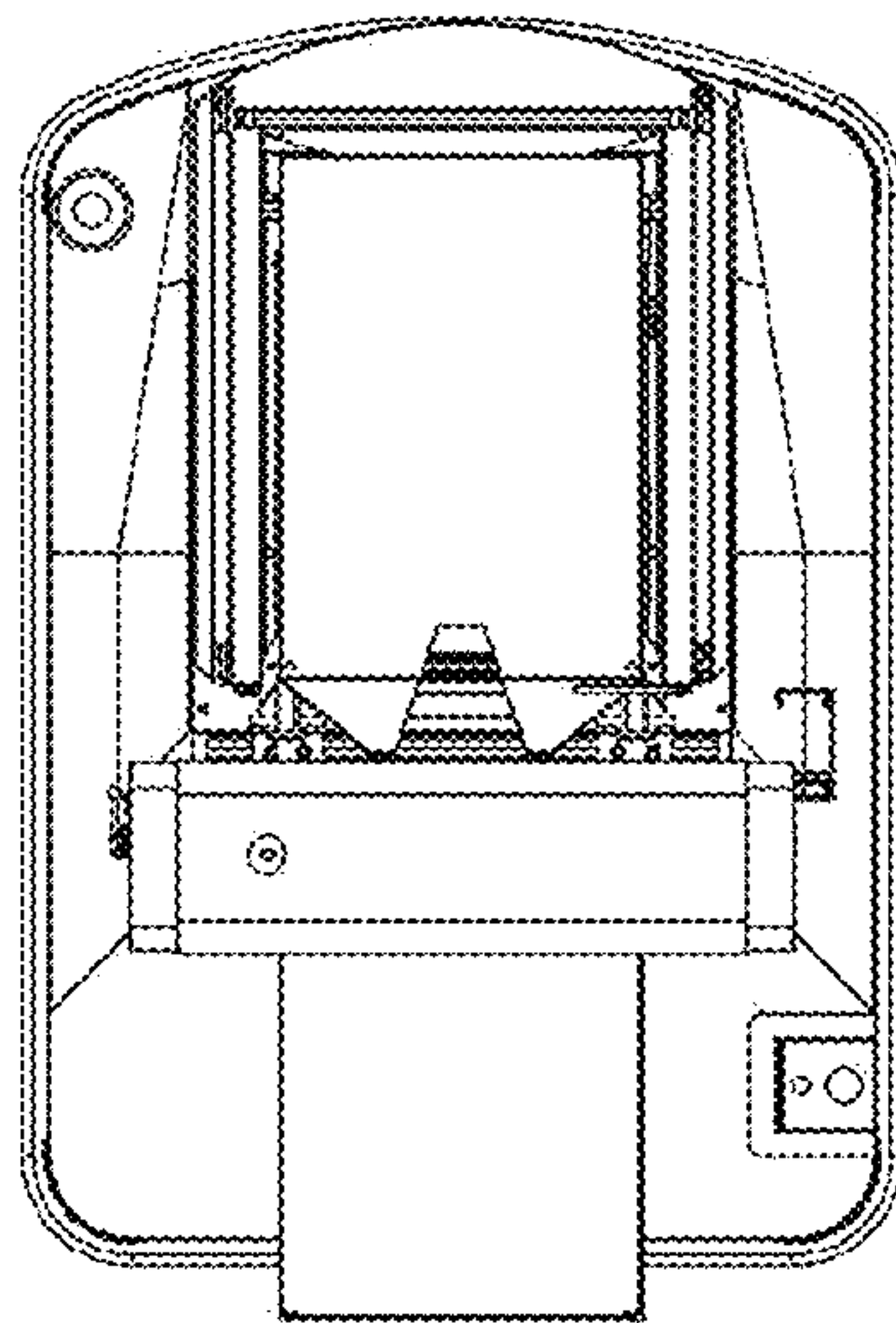


Fig. 7