



US00D961643S

(12) **United States Design Patent**
Mahaffey, Jr. et al.

(10) **Patent No.:** **US D961,643 S**
(45) **Date of Patent:** **** Aug. 23, 2022**

(54) **CUTTER HEAD FOR GRINDING MACHINES AND THE LIKE**

(71) Applicant: **Dynatech Systems, Inc.**, Elyria, OH (US)

(72) Inventors: **Glenn Mahaffey, Jr.**, Elyria, OH (US);
Ronald Nealey, Collins, OH (US)

(73) Assignee: **Dynatech Systems, INC.**, Elyria, OH (US)

(**) Term: **15 Years**

(21) Appl. No.: **29/818,870**

(22) Filed: **Dec. 10, 2021**

Related U.S. Application Data

(62) Division of application No. 29/721,914, filed on Jan. 24, 2020, now Pat. No. Des. 940,767.

(51) **LOC (13) Cl.** **15-09**

(52) **U.S. Cl.**
USPC **D15/139**

(58) **Field of Classification Search**
USPC D7/409, 412; D8/20, 70, 95, 98, 99;
D15/126, 133, 138, 139, 140
CPC B21D 17/04; B23D 45/044; B23B 5/162;
B23B 5/163; B23K 7/006; B24D 7/06;
B24D 7/12
See application file for complete search history.

(56) **References Cited**

U.S. PATENT DOCUMENTS

1,984,936 A	12/1934	Thure
2,349,949 A	5/1944	Farrell
3,376,673 A	4/1968	Metzger et al.
3,468,583 A	9/1969	Austin
3,585,761 A	6/1971	Hughes
3,612,611 A	10/1971	Ellis
3,779,607 A	12/1973	Staab

4,040,668 A	8/1977	Fairweather
4,463,989 A	8/1984	Kennedy
4,690,691 A	9/1987	Komanduri
4,702,649 A	10/1987	Komanduri
4,714,385 A	12/1987	Komanduri
4,797,138 A	1/1989	Komanduri
D317,010 S	5/1991	Knemeyer

(Continued)

FOREIGN PATENT DOCUMENTS

CN 102296522 12/2011

OTHER PUBLICATIONS

Written Opinion of the International Searching Authority dated Feb. 14, 2019 for corresponding International Application No. PCT/US18/62259.

(Continued)

Primary Examiner — Michael C Stout

Assistant Examiner — Fritzgerald L Butac

(74) *Attorney, Agent, or Firm* — Sean F. Mellino

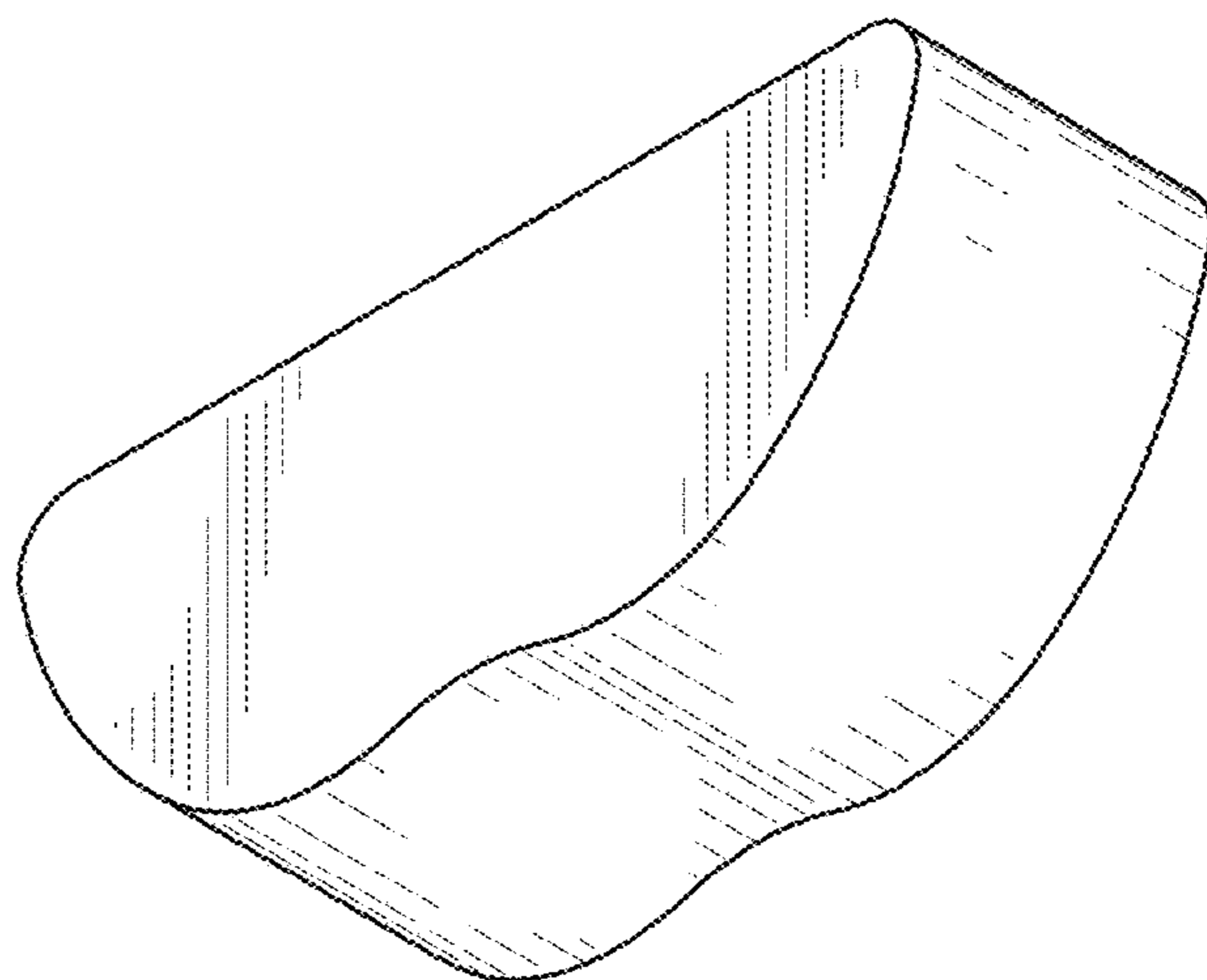
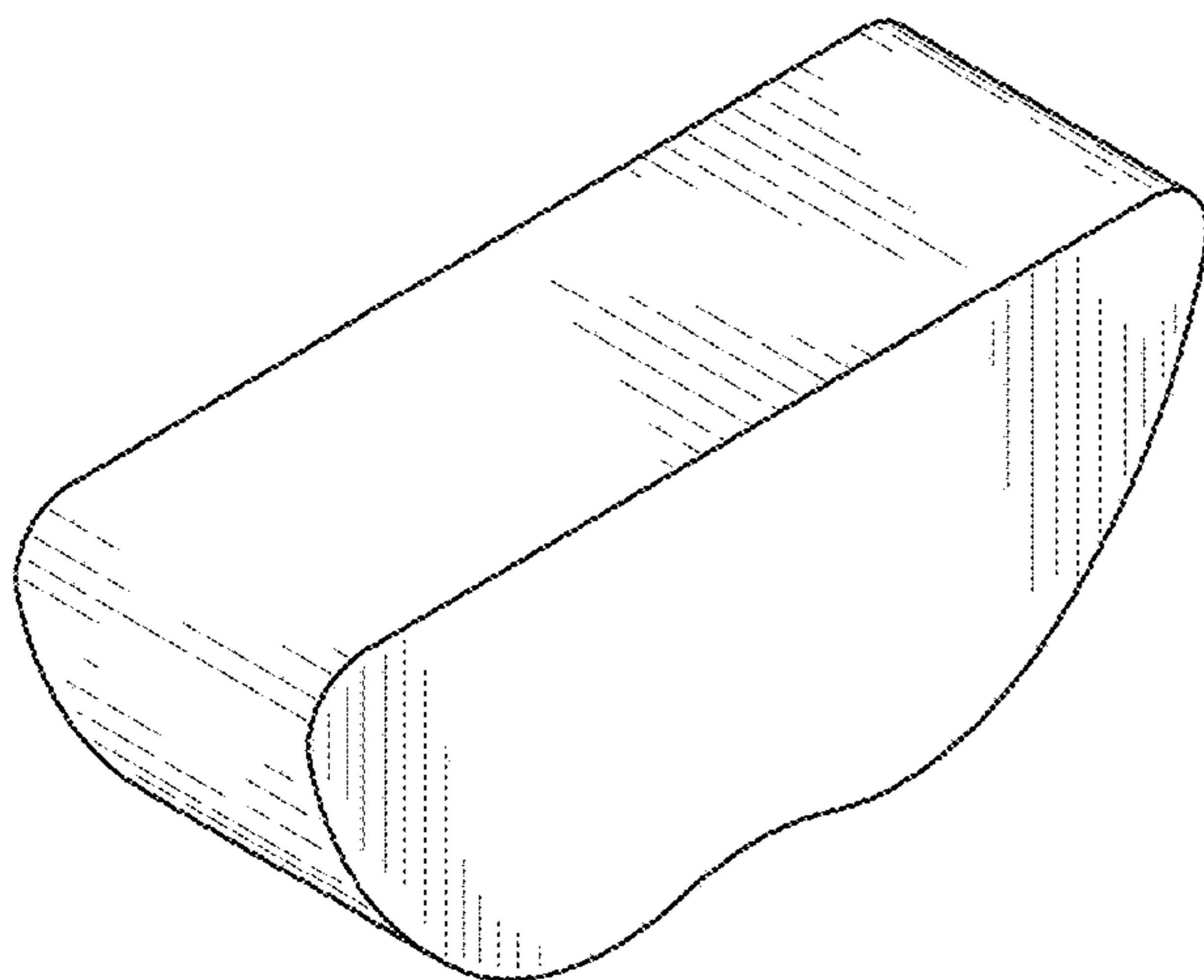
(57) **CLAIM**

The ornamental design for a cutter head for grinding machines and the like, as shown and described.

DESCRIPTION

FIG. 1 is a front perspective view of a cutter head for grinding machines and the like;
FIG. 2 is another perspective view, showing the front, left, bottom of the claimed design;
FIG. 3 is a front elevation view, with the rear being a mirror image thereof;
FIG. 4 is a top view of the design as shown in FIG. 1;
FIG. 5 is a bottom view of the design as shown in FIG. 1; and,
FIG. 6 is a left side elevation view, with the right-side elevation view being a mirror image thereof.

1 Claim, 1 Drawing Sheet



(56)

References Cited

U.S. PATENT DOCUMENTS

5,083,839 A 1/1992 Younger
 5,127,588 A 7/1992 Schmidt
 D330,206 S 10/1992 Slutz
 5,271,696 A 12/1993 Stock
 D357,485 S 4/1995 Mattsson et al.
 5,464,163 A 11/1995 Zoz
 5,733,074 A 3/1998 Stock et al.
 6,390,086 B1 5/2002 Collins
 6,450,738 B1 9/2002 Ripley
 D502,952 S 3/2005 Achilles et al.
 7,223,049 B2 5/2007 Hall et al.
 D554,162 S 10/2007 Hall et al.
 7,287,818 B1 10/2007 Hall et al.
 D558,241 S 12/2007 Chiang
 D558,242 S 12/2007 Chiang
 7,320,505 B1 1/2008 Hall et al.
 7,384,105 B2 6/2008 Hall et al.
 7,387,464 B2 6/2008 Hall et al.
 7,396,085 B2 7/2008 Hall et al.
 7,445,294 B2 11/2008 Hall et al.
 7,469,972 B2 12/2008 Hall et al.
 D595,322 S * 6/2009 Sakata D15/139
 D595,323 S * 6/2009 Sakata D15/139
 7,553,344 B2 6/2009 Cho
 D595,751 S * 7/2009 Sakata D15/139
 7,588,102 B2 9/2009 Hall et al.
 7,665,552 B2 2/2010 Hall et al.
 7,926,597 B2 4/2011 Majagi et al.
 8,365,845 B2 2/2013 Hall et al.
 8,590,643 B2 11/2013 Smallman et al.
 8,960,337 B2 2/2015 Hall et al.
 D809,031 S * 1/2018 Burton B28D 1/186
 D815,165 S * 4/2018 Morisaki D15/139
 D826,664 S * 8/2018 Matsubara D15/139
 10,239,184 B2 3/2019 Axnite
 D854,592 S * 7/2019 Matsuda D15/139
 D872,145 S * 1/2020 Maeno D15/139
 D872,780 S * 1/2020 Sato D15/126
 10,525,538 B2 * 1/2020 Matsuda B23C 5/10
 D875,147 S * 2/2020 Xu D15/139
 D879,846 S * 3/2020 Sato D15/126
 D879,847 S * 3/2020 Sato D15/126
 D879,848 S * 3/2020 Kinoshita D15/139
 10,632,547 B2 * 4/2020 Morisaki B23C 5/20
 D883,350 S * 5/2020 Toldo D15/139
 D884,039 S * 5/2020 Endoh D15/139
 D884,040 S * 5/2020 Endoh D15/139
 D890,234 S * 7/2020 Maeno D15/139
 D890,235 S * 7/2020 Maeno D15/139
 D890,827 S * 7/2020 Maeno D15/139
 D891,490 S * 7/2020 Maeno D15/139

10,717,136 B2 * 7/2020 Shimanuki B23B 27/148
 D892,876 S * 8/2020 Matsubara D15/139
 D902,268 S * 11/2020 Sueyoshi D15/139
 10,875,105 B2 * 12/2020 Koike B23C 5/06
 10,875,106 B2 * 12/2020 Tsujimoto B23C 5/06
 D909,437 S * 2/2021 Sorai D15/139
 D910,093 S * 2/2021 Abe D15/139
 D910,095 S * 2/2021 Wen D15/139
 D911,399 S * 2/2021 Atkins D15/139
 2003/0062760 A1 4/2003 Wyser
 2003/0155155 A1 8/2003 Dewey
 2005/0040263 A1 2/2005 Parke
 2005/0164620 A1 7/2005 Amamoto
 2007/0192112 A1 8/2007 Hall
 2008/0009232 A1 1/2008 Thysell
 2008/0250724 A1 10/2008 Hall et al.
 2010/0242375 A1 9/2010 Hall et al.
 2010/0244545 A1 9/2010 Hall et al.
 2010/0299285 A1 11/2010 Hall
 2010/0326740 A1 12/2010 Hall et al.
 2011/0020163 A1 1/2011 Nilen
 2011/0226532 A1 9/2011 Jonker et al.
 2011/0283628 A1 11/2011 Saridikmen et al.
 2012/0012229 A1 1/2012 Kappel
 2012/0247028 A1 1/2012 Konyashin et al.
 2012/0037429 A1 2/2012 Davies et al.
 2012/0037430 A1 2/2012 Smallman
 2012/0040157 A1 2/2012 Konyashin et al.
 2012/0055717 A1 3/2012 Liversage et al.
 2012/0061149 A1 3/2012 Liversage et al.
 2012/0177453 A1 7/2012 Konyashin et al.
 2012/0304547 A1 12/2012 Anagnostaras
 2013/0000993 A1 1/2013 Shabalala et al.
 2013/0213721 A1 8/2013 Nilen et al.
 2014/0110991 A1 4/2014 Sollami
 2014/0115974 A1 5/2014 Konyashin et al.
 2014/0165476 A1 6/2014 Can et al.
 2014/0198827 A1 7/2014 Liversage
 2014/0284115 A1 9/2014 Can et al.
 2014/0339879 A1 11/2014 Burton et al.
 2014/0339882 A1 11/2014 Hall et al.
 2014/0339883 A1 11/2014 Burton et al.
 2015/0016884 A1 1/2015 Hall et al.
 2015/0041225 A1 2/2015 Jonker et al.
 2016/0237631 A1 8/2016 Nishida
 2019/0276993 A1 9/2019 Sewell

OTHER PUBLICATIONS

International Search Report from the ISA/US dated Feb. 14, 2019 for corresponding International Application No. PCT/US18/62259.
 International Preliminary Report on Patentability from The International Bureau of WIPO dated Jun. 2, 2020 for corresponding International Application No. PCT/US2018/062259.

* cited by examiner

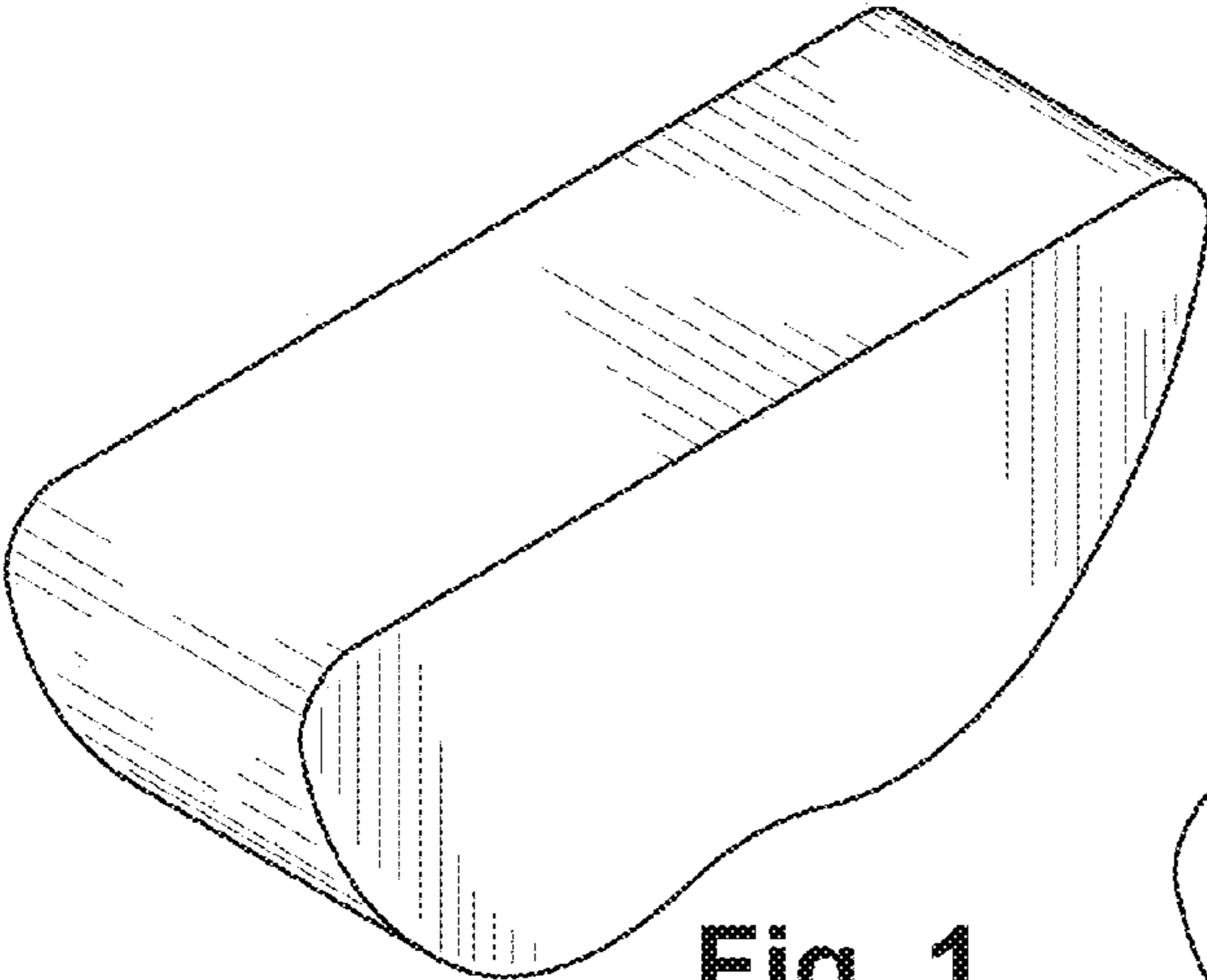


Fig. 1

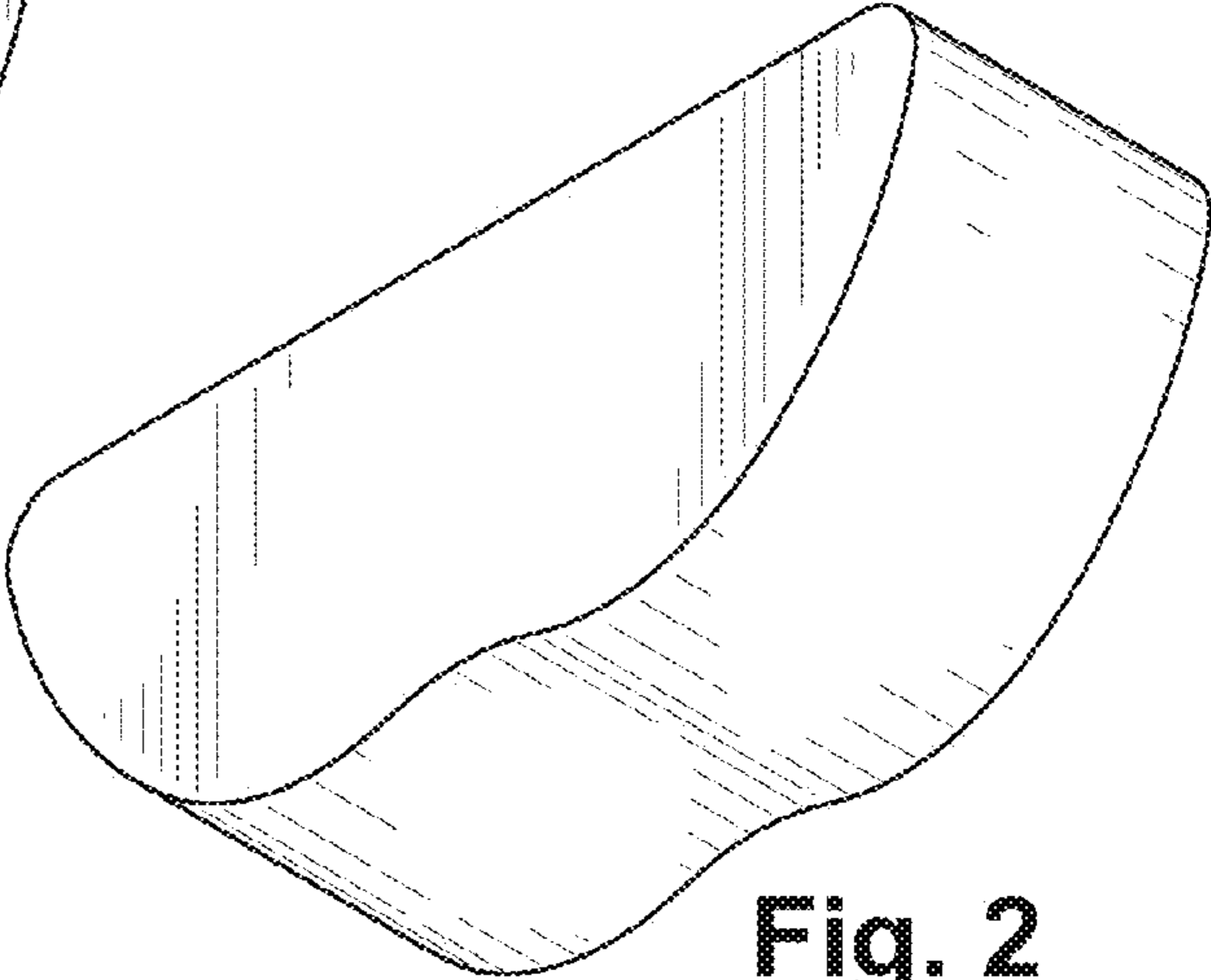


Fig. 2

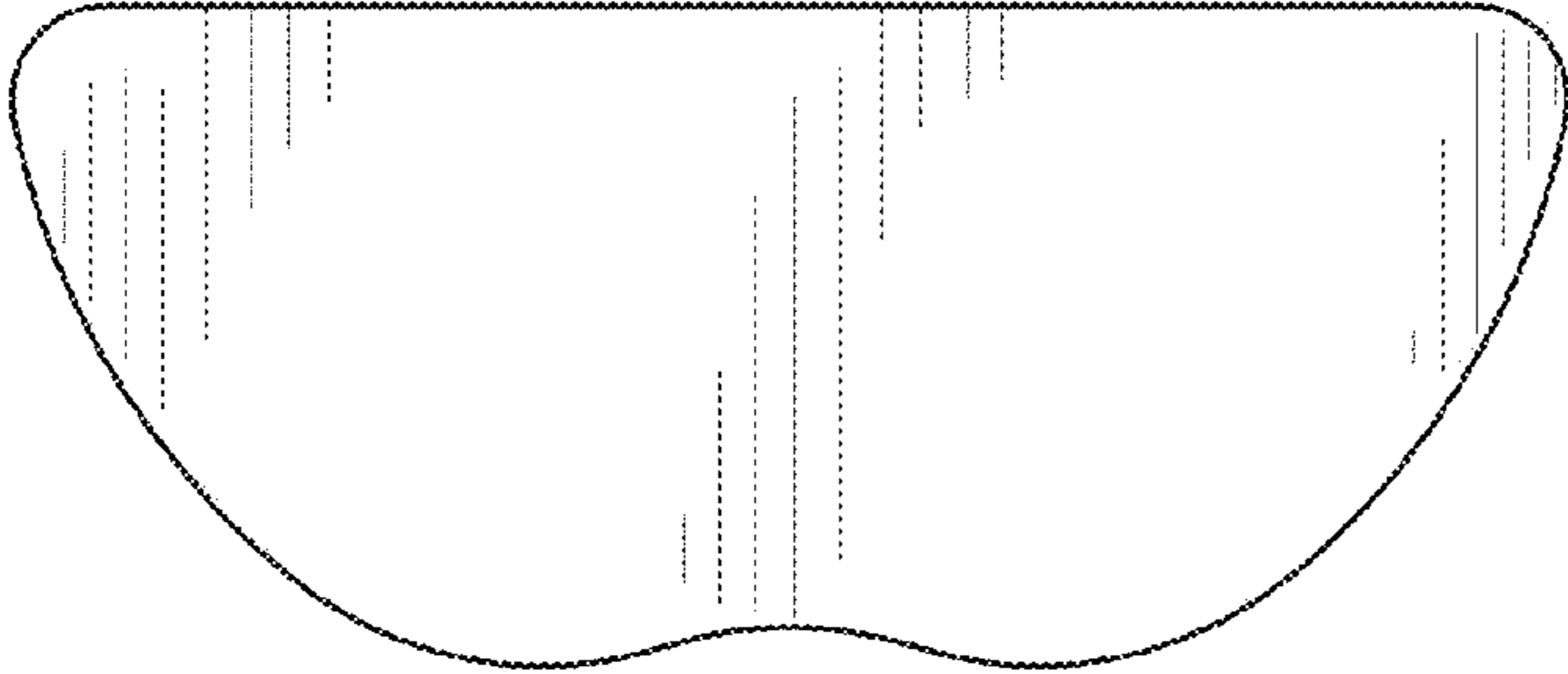


Fig. 3

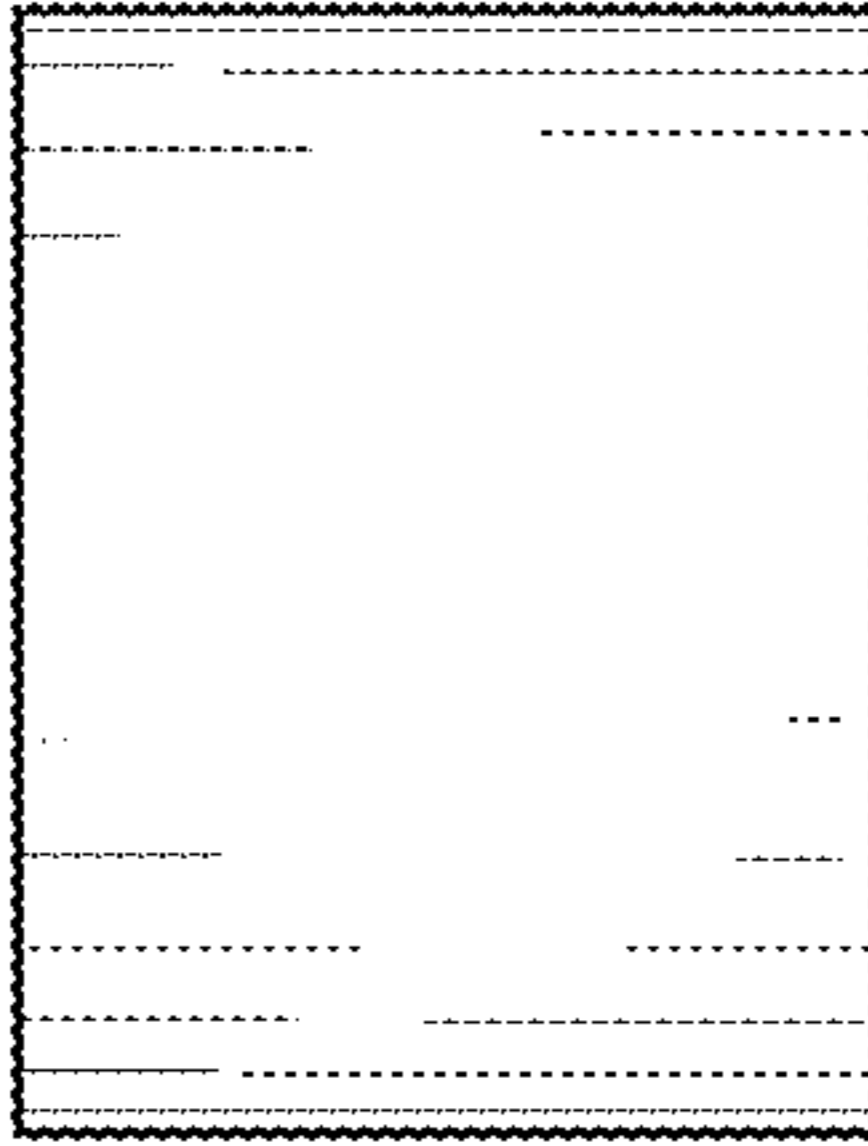


Fig. 6

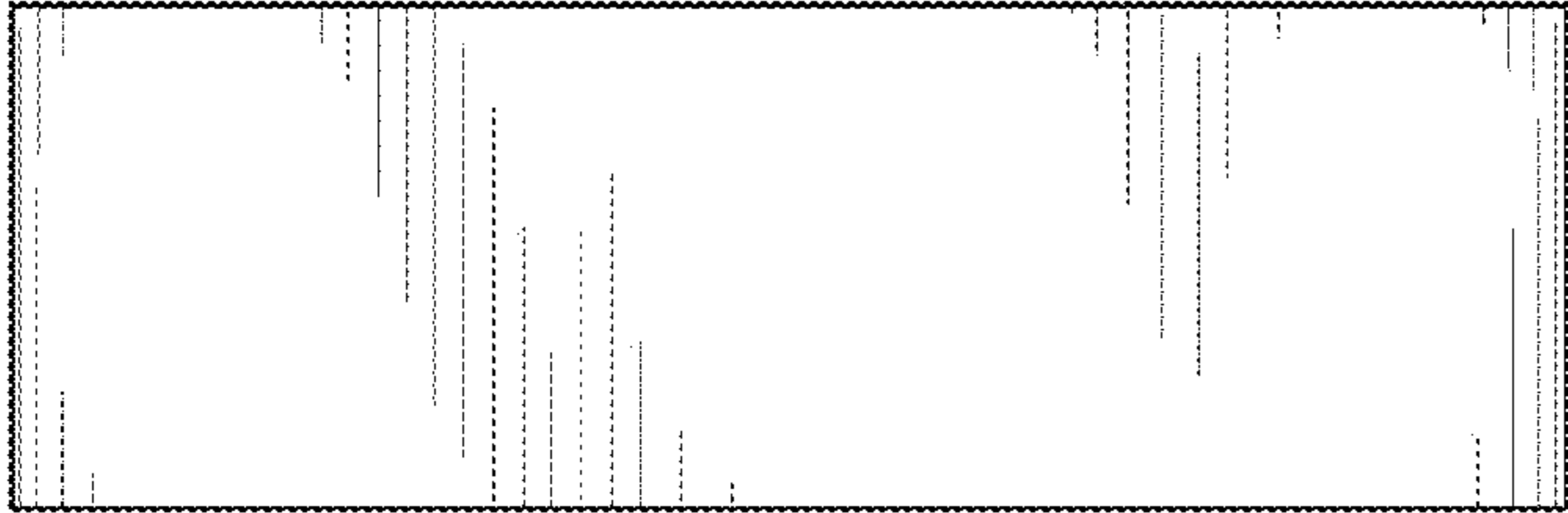


Fig. 4

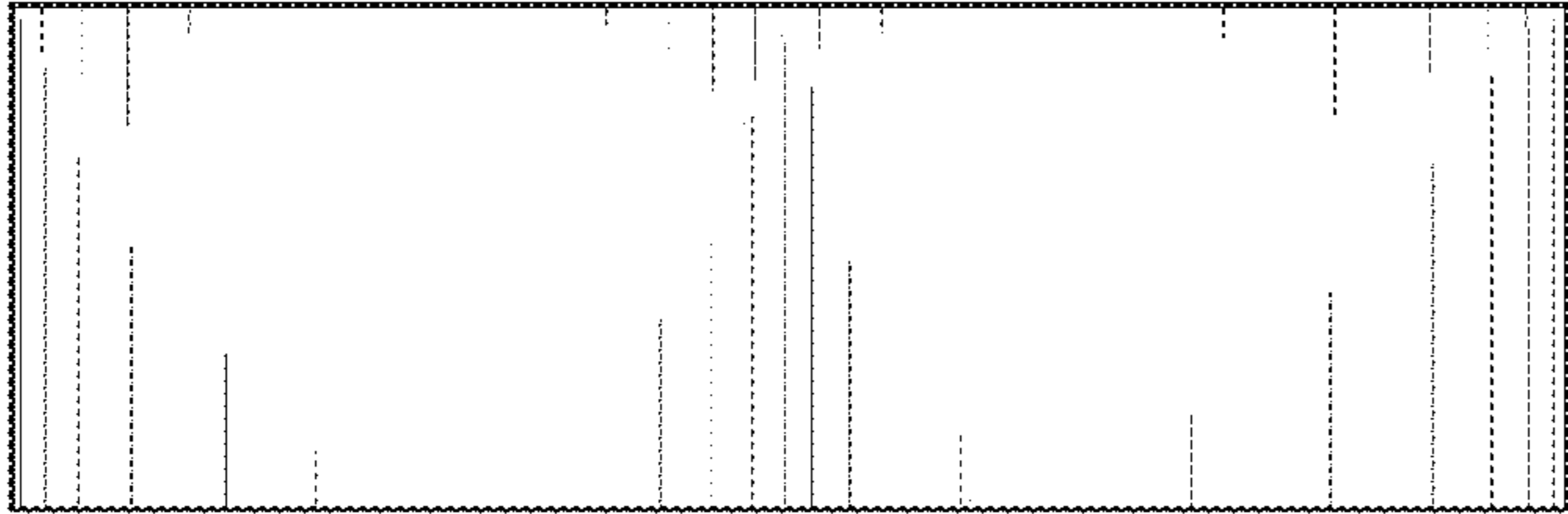


Fig. 5