



US00D961642S

(12) **United States Design Patent**
Earnest

(10) **Patent No.:** **US D961,642 S**

(45) **Date of Patent:** **** Aug. 23, 2022**

(54) **SCREW REMOVING DRILL BIT**

(71) Applicant: **Walter Ray Earnest**, Tavares, FL (US)

(72) Inventor: **Walter Ray Earnest**, Tavares, FL (US)

(**) Term: **15 Years**

(21) Appl. No.: **29/790,280**

(22) Filed: **Nov. 17, 2021**

(51) **LOC (13) Cl.** **15-09**

(52) **U.S. Cl.**
USPC **D15/139**

(58) **Field of Classification Search**
USPC D8/20, 70, 82, 85, 86; D15/126, 131,
D15/138, 139, 140
CPC B23K 20/1255; B25B 5/001; B25B 15/00;
B25B 15/02; B25B 15/005; B25B 15/007;
B25B 27/18
See application file for complete search history.

7,594,455 B2 9/2009 Swanson
7,971,508 B2 7/2011 Kozak
8,579,180 B2 * 11/2013 Burford B23K 20/1255
228/2.1
D741,484 S * 10/2015 Cho D24/146
D774,868 S * 12/2016 Ouyang D8/86
D786,646 S * 5/2017 Ouyang D8/86
2006/0191379 A1 * 8/2006 McCalley, Jr. B25B 27/18
81/53.2
2009/0183603 A1 * 7/2009 Kozak B23B 51/009
81/53.2
2013/0101366 A1 4/2013 Sanders
(Continued)

FOREIGN PATENT DOCUMENTS

GB 2294420 1/1996
Primary Examiner — Patricia A Palasik
(74) *Attorney, Agent, or Firm* — Bullock Law; Stephen
Bullock

(57) **CLAIM**

The ornamental design for a screw removing drill bit, as shown and described.

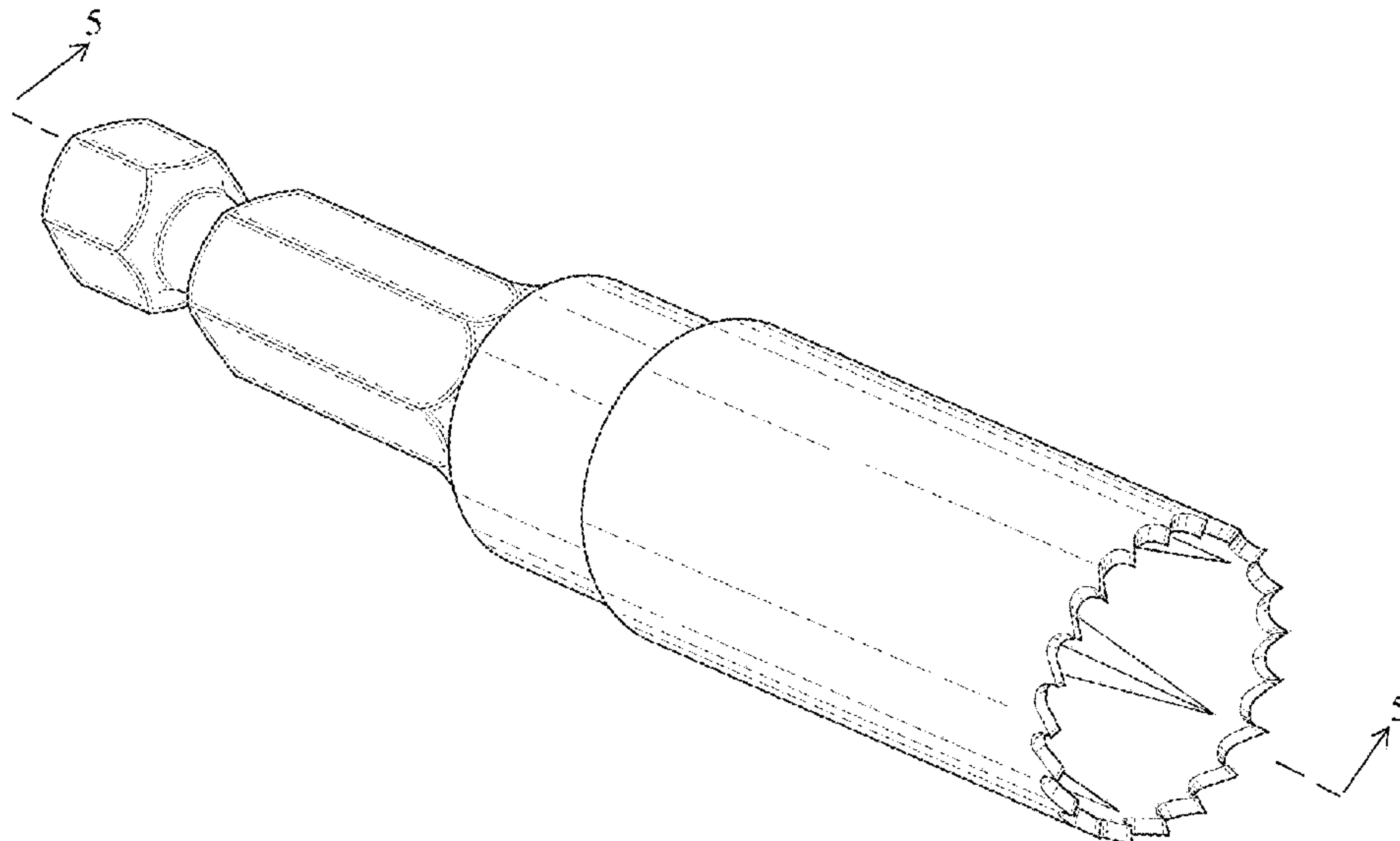
DESCRIPTION

FIG. 1 is a side perspective view of a screw removing drill bit according to an embodiment of the invention.
FIG. 2 is a side perspective sectional view of the screw removing drill bit illustrated in FIG. 1 showing interior gripping triangular prisms tapering from back to front.
FIG. 3 is a front perspective view of the screw removing drill bit opening illustrated in FIG. 1 illustrating the counter clockwise orientation of the interior gripping triangular prisms.
FIG. 4 is a cross-sectional view of the hollowed cylinder of the screw removing drill bit illustrated in FIG. 1; and,
FIG. 5 is a cross-sectional view of the screw removing drill bit taken along line 5-5 in FIG. 1.

1 Claim, 4 Drawing Sheets

(56) **References Cited**
U.S. PATENT DOCUMENTS

1,179,680 A 4/1916 Tallyn
1,548,835 A 8/1925 French
1,683,796 A 9/1928 Pearce
1,777,936 A 10/1930 Roberts
3,106,233 A 10/1963 Wolny
3,457,812 A * 7/1969 Wagner, Jr. B25B 21/002
81/53.2
4,688,315 A 8/1987 Jannke
4,777,850 A 10/1988 Polonsky
6,267,025 B1 * 7/2001 Sand B25B 27/18
81/53.2
6,536,309 B1 3/2003 Pool
6,761,089 B2 * 7/2004 Bergamo B25B 27/18
81/53.2
6,868,756 B2 3/2005 Kozak
6,877,401 B1 * 4/2005 Giltner B25B 13/48
81/53.2
7,000,501 B1 * 2/2006 Chen B25B 27/18
81/53.2



(56)

References Cited

U.S. PATENT DOCUMENTS

2019/0176310 A1 6/2019 McKenzie
2021/0283756 A1 9/2021 Kukucka

* cited by examiner

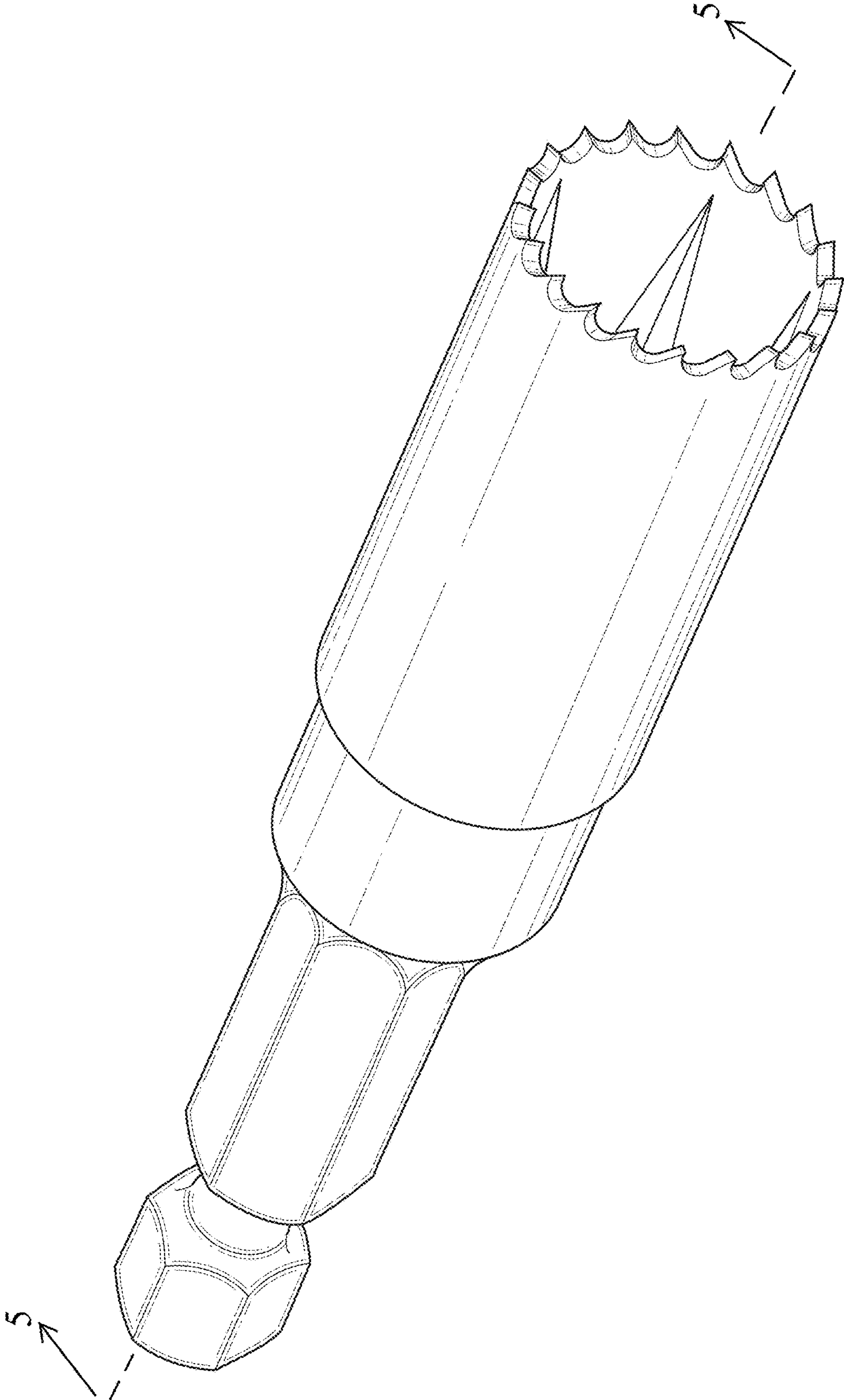


FIG. 1

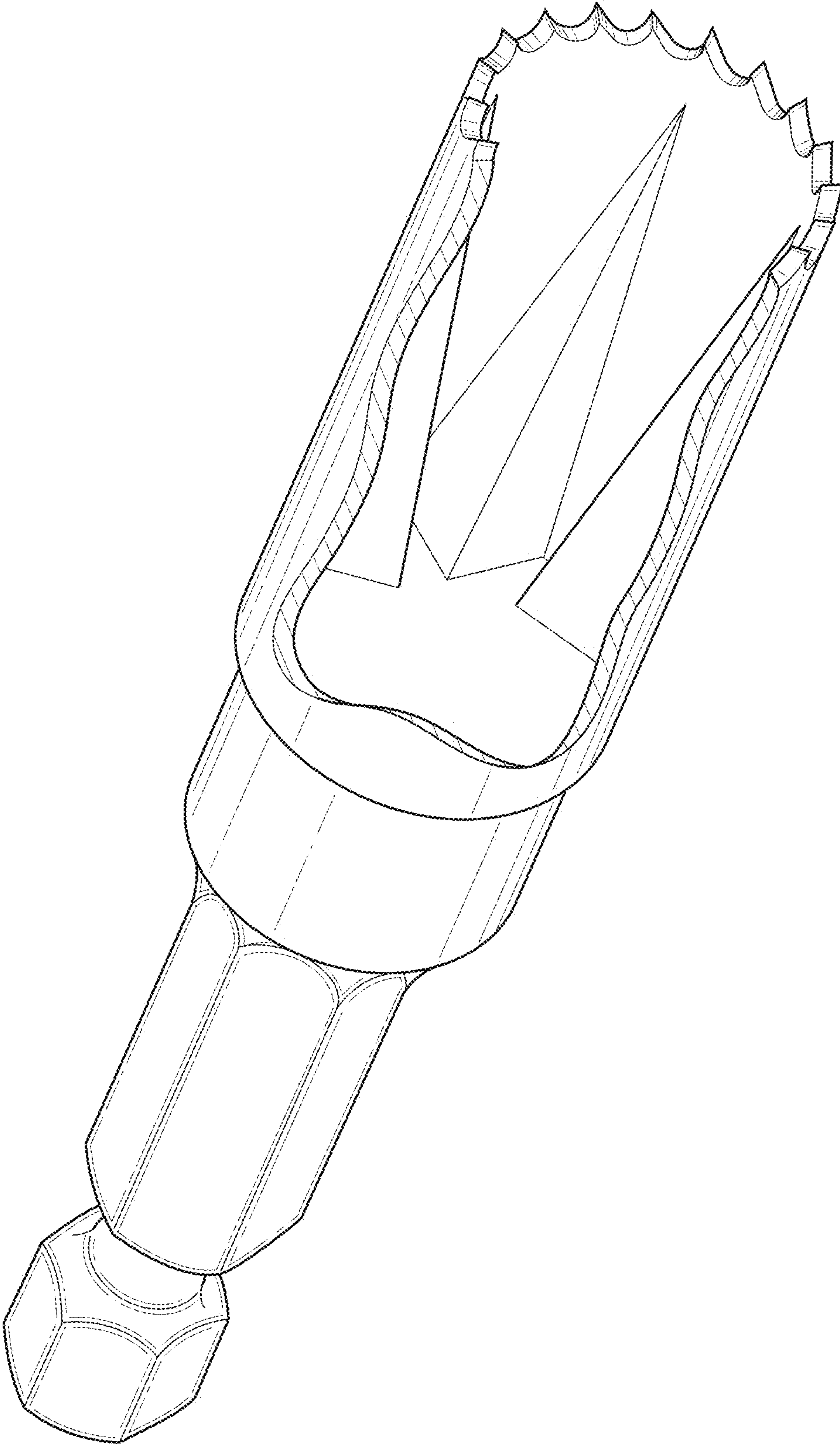


FIG. 2

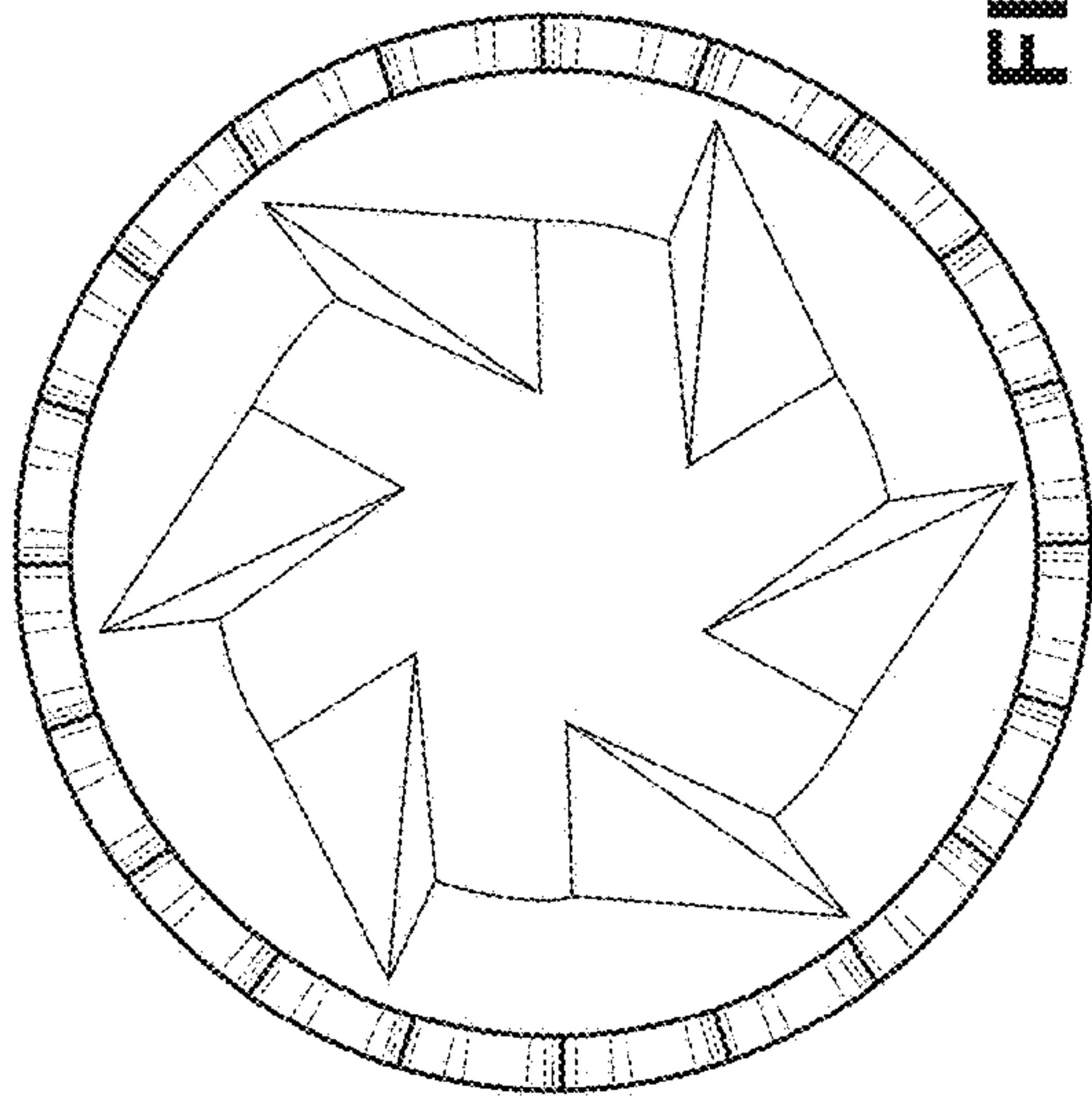


FIG. 3

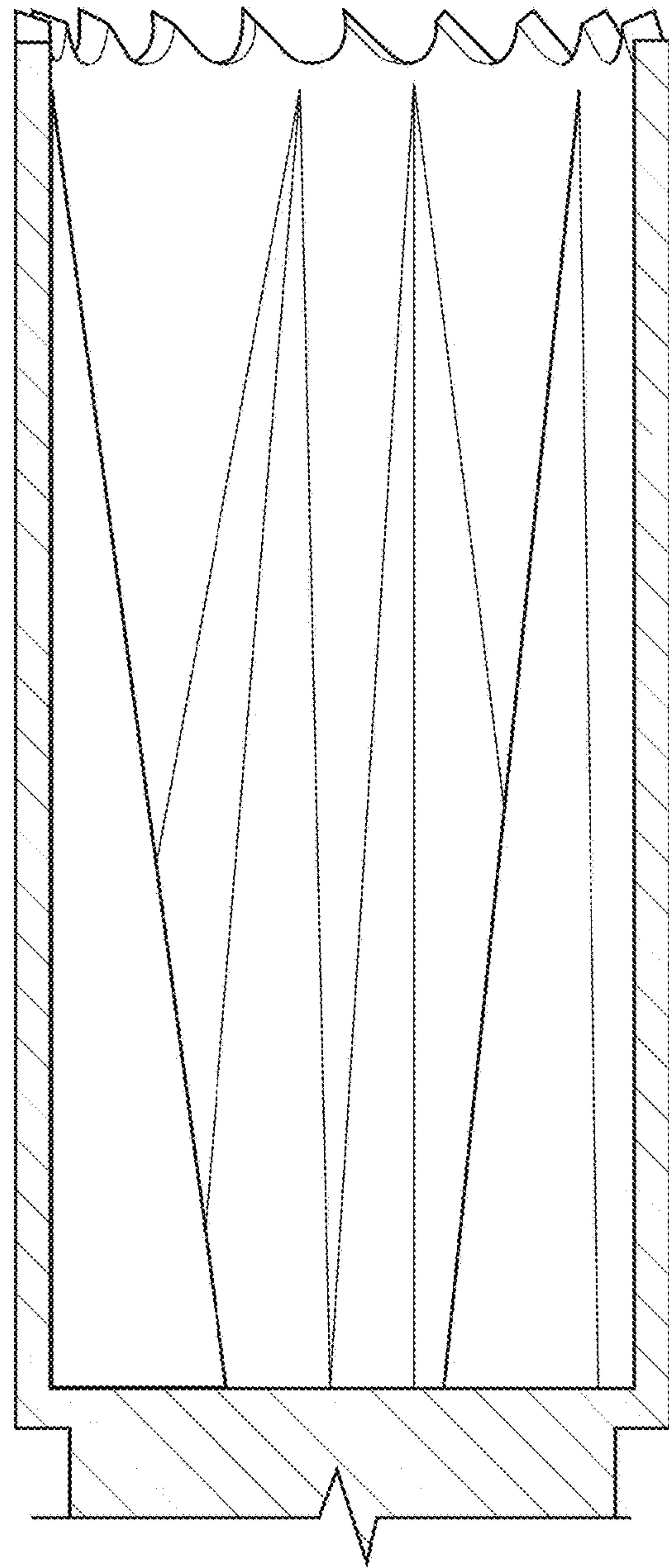


FIG. 4

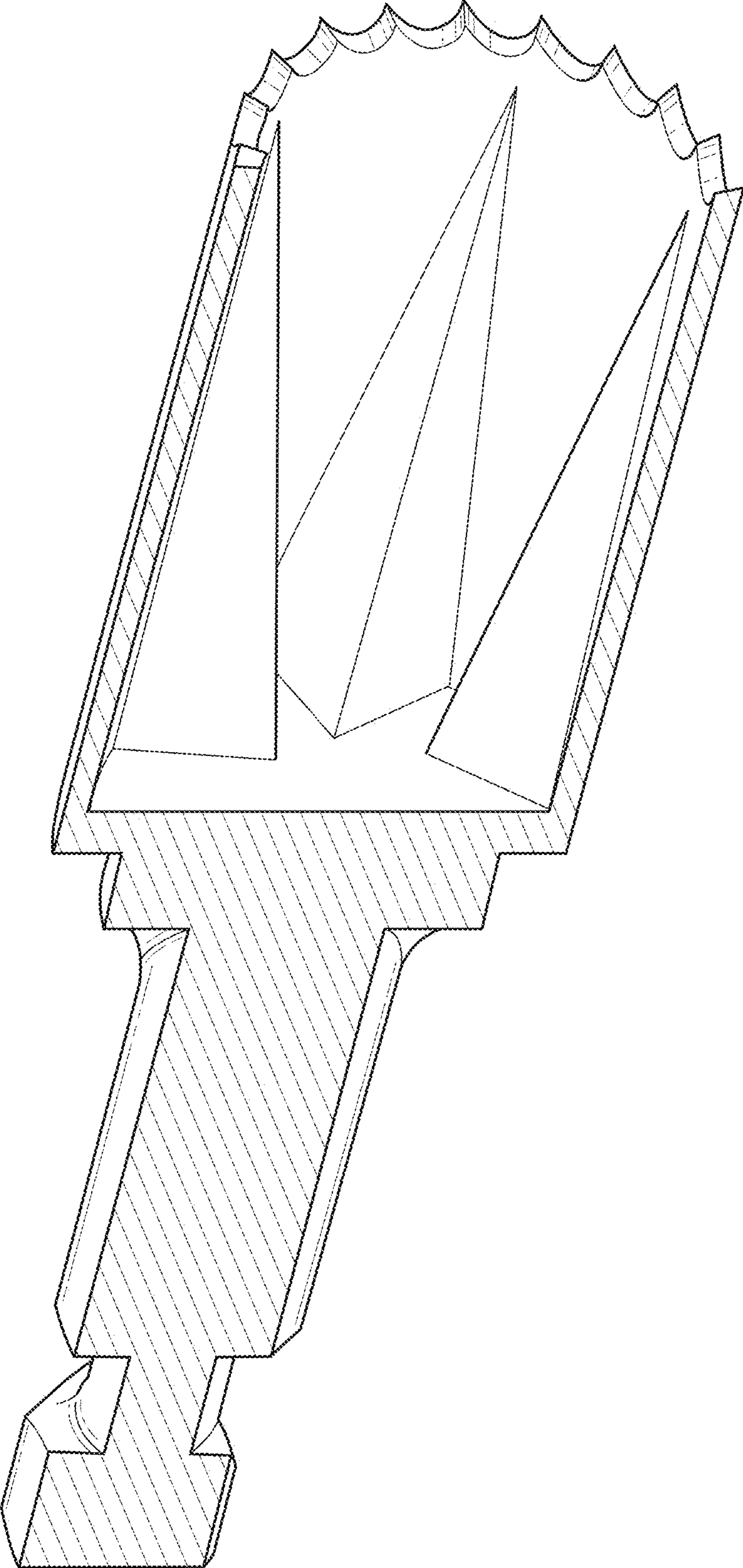


FIG. 5