



US00D961641S

(12) **United States Design Patent**
Zhang et al.

(10) **Patent No.:** **US D961,641 S**

(45) **Date of Patent:** **** Aug. 23, 2022**

(54) **DIGITAL READOUT OF DRILL PRESS**

B30B 9/047; B30B 9/125; B30B 9/3007;
B30B 9/305; B30B 9/306

(71) Applicants: **Meng Zhang**, San Clemente, CA (US);
Yanchen Zhang, San Clemente, CA
(US)

See application file for complete search history.

(72) Inventors: **Meng Zhang**, San Clemente, CA (US);
Yanchen Zhang, San Clemente, CA
(US)

(56) **References Cited**

U.S. PATENT DOCUMENTS

D304,591 S	*	11/1989	Anderson	D15/138
D722,627 S	*	2/2015	Leugers	D15/138
D809,027 S	*	1/2018	Brahan	D15/138
D817,370 S	*	5/2018	Tsujimura	D15/138
D831,081 S	*	10/2018	Tsujimura	D15/138
D941,369 S	*	1/2022	Gehrmann	D15/138

(**) Term: **15 Years**

* cited by examiner

(21) Appl. No.: **29/763,951**

(22) Filed: **Dec. 27, 2020**

Primary Examiner — Antoine Duval Davis

(51) **LOC (13) Cl.** **15-09**

(74) *Attorney, Agent, or Firm* — Kwan & Associates;
Stephen Kwan, Esq.

(52) **U.S. Cl.**
USPC **D15/138**

(58) **Field of Classification Search**
USPC D15/127, 132, 138, 141
CPC . Y10T 408/16; Y10T 408/165; Y10T 408/17;
Y10T 408/172; Y10T 408/173; Y10T
408/175; Y10T 408/91; Y10T 83/849;
Y10T 83/85; Y10T 83/851; Y10T 83/852;
Y10T 83/853; Y10T 83/855; Y10T
83/856; Y10T 83/857; Y10T 83/858;
Y10T 83/859; Y10T 83/95; B30B
15/0041; B30B 15/14; B30B 15/142;
B30B 15/144; B30B 15/146; B30B
15/148; B30B 15/16; B30B 15/161; B30B
15/163; B30B 15/165; B30B 15/166;
B30B 15/168; B30B 15/18; B30B 15/183;
B30B 15/186; B30B 15/20; B30B 15/22;
B30B 15/24; B30B 15/245; B30B 15/26;

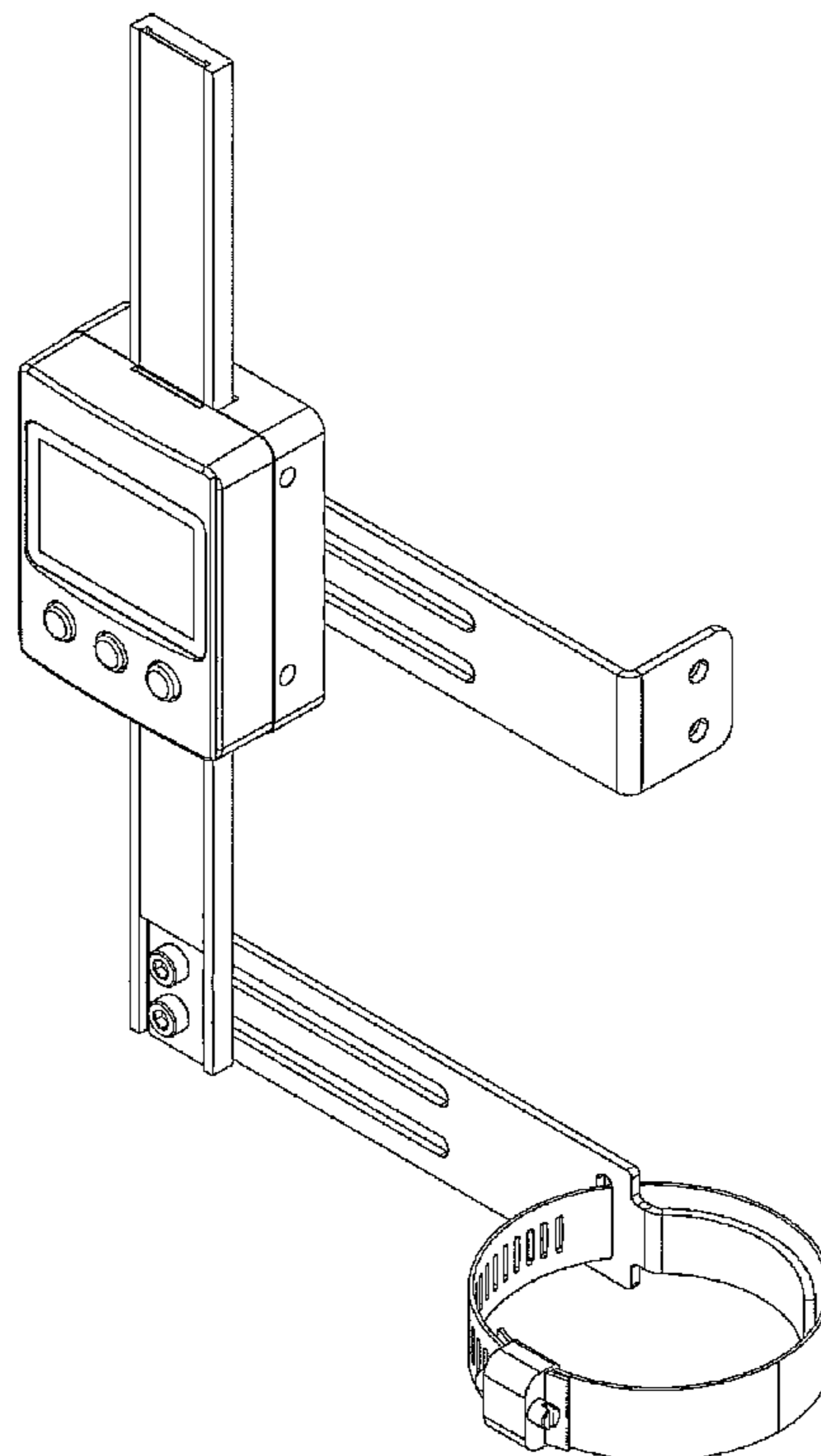
(57) **CLAIM**

The ornamental design for a digital readout of drill press, as shown and described.

DESCRIPTION

FIG. 1 is a top, right perspective view of a digital readout of drill press showing our new design;
FIG. 2 is a top plan view thereof;
FIG. 3 is a right side view thereof;
FIG. 4 is a bottom plan view thereof;
FIG. 5 is a left side view thereof;
FIG. 6 is a head on view thereof; and,
FIG. 7 is a rear end view thereof.

1 Claim, 4 Drawing Sheets



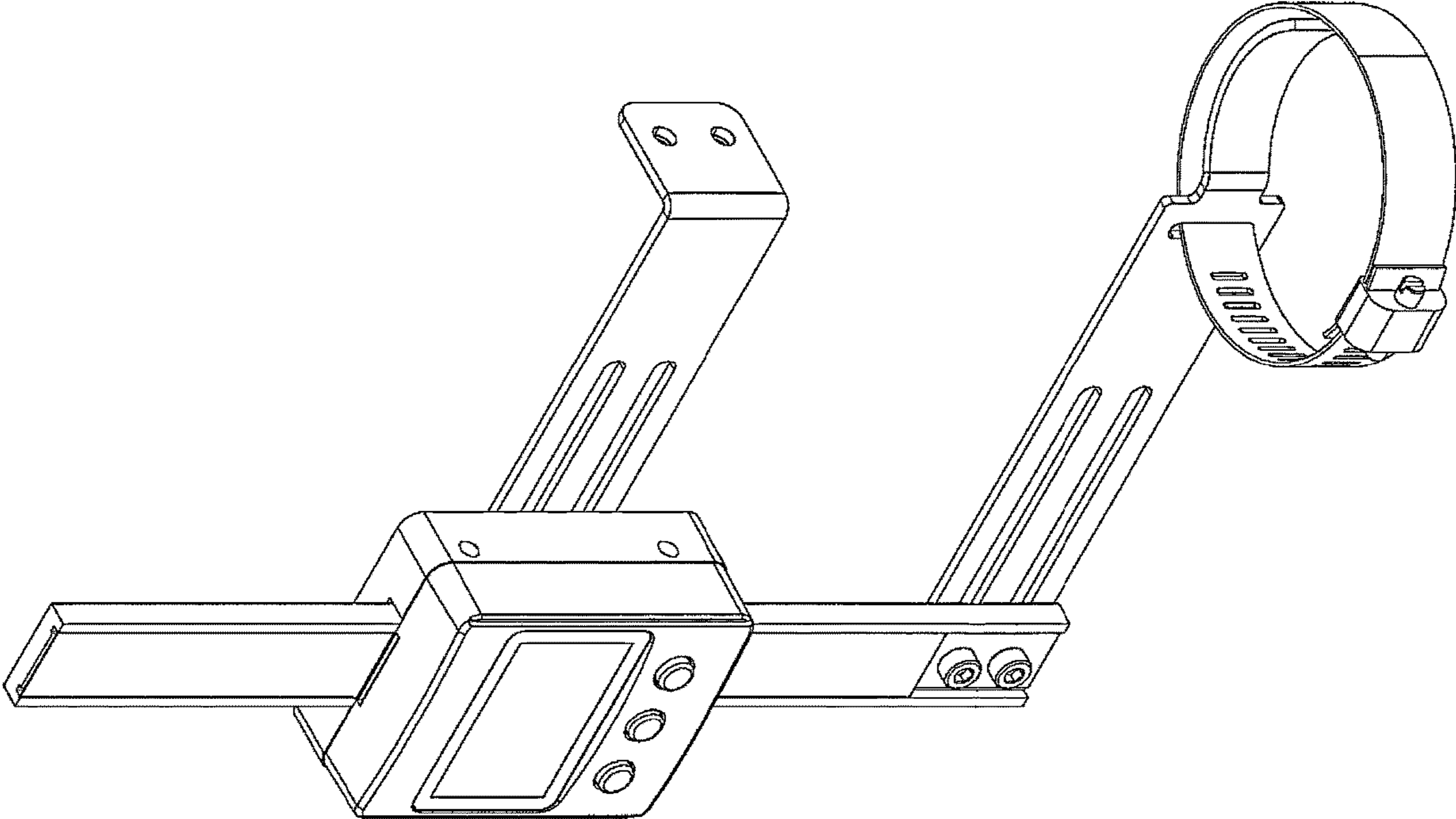


Fig. 1

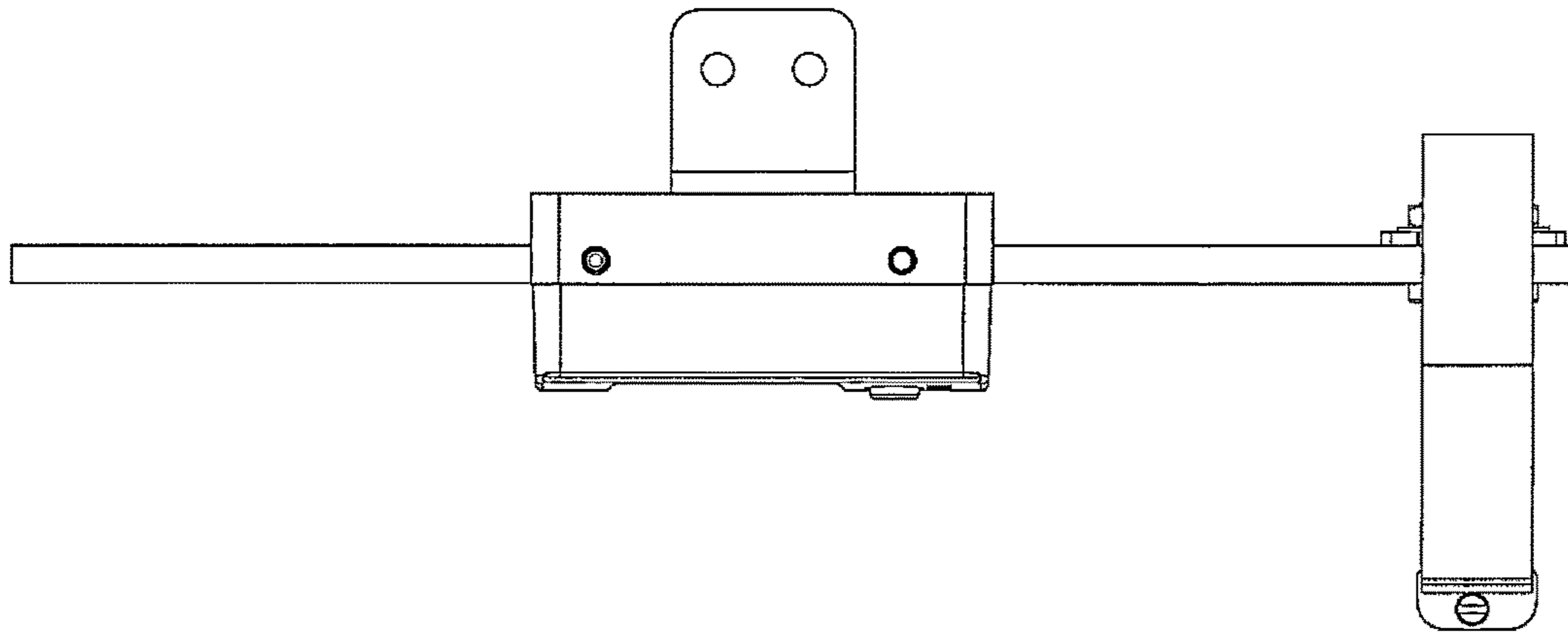


Fig. 3

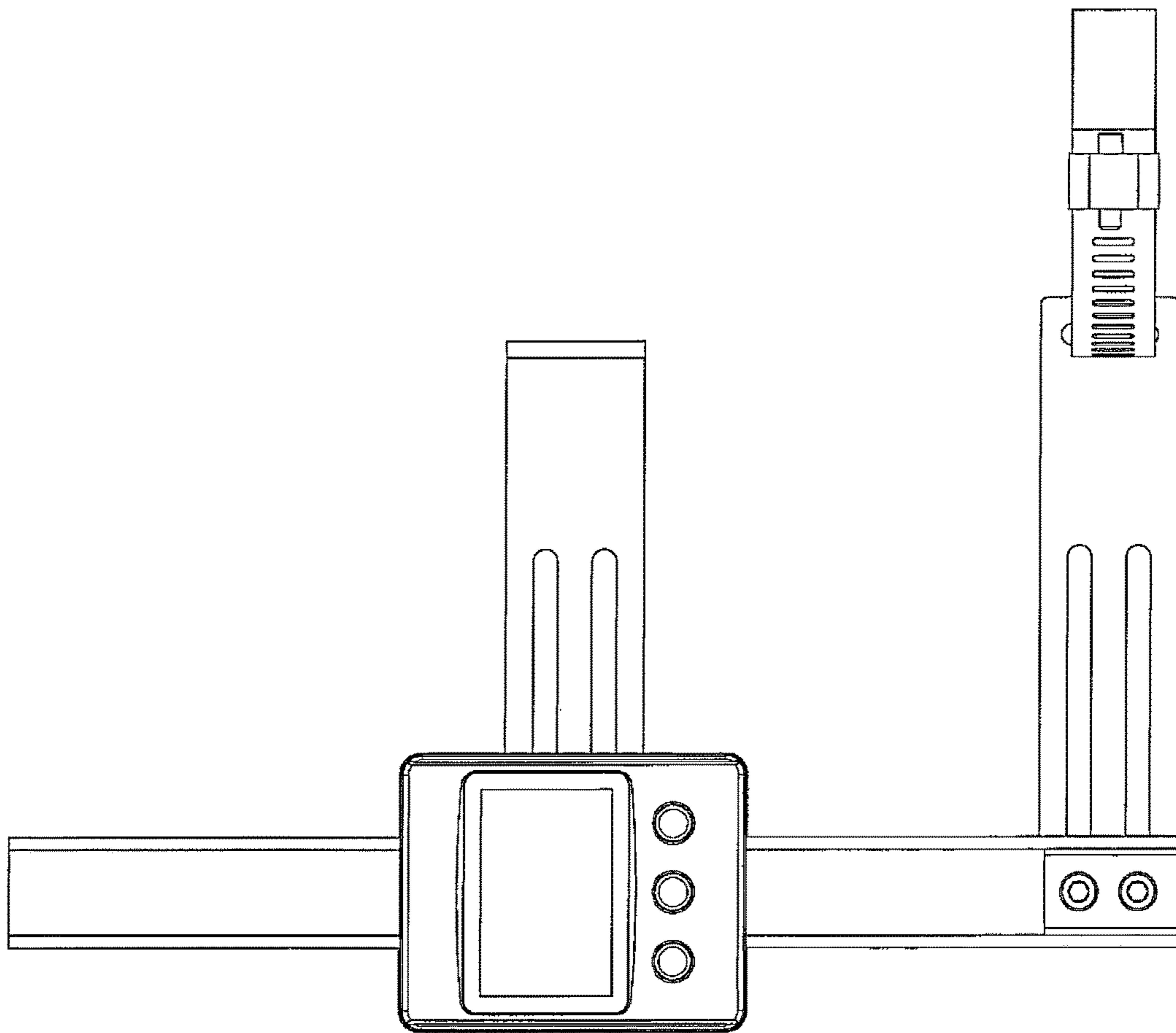


Fig. 2

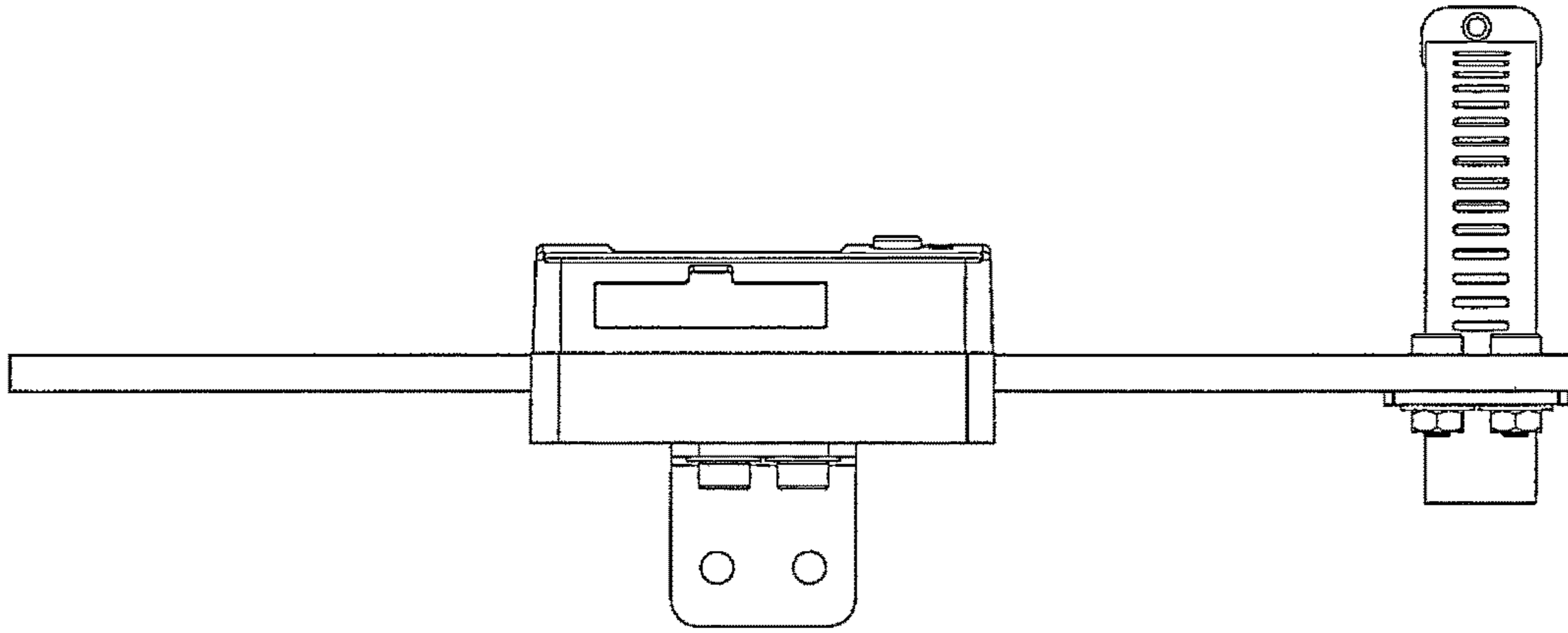


Fig. 5

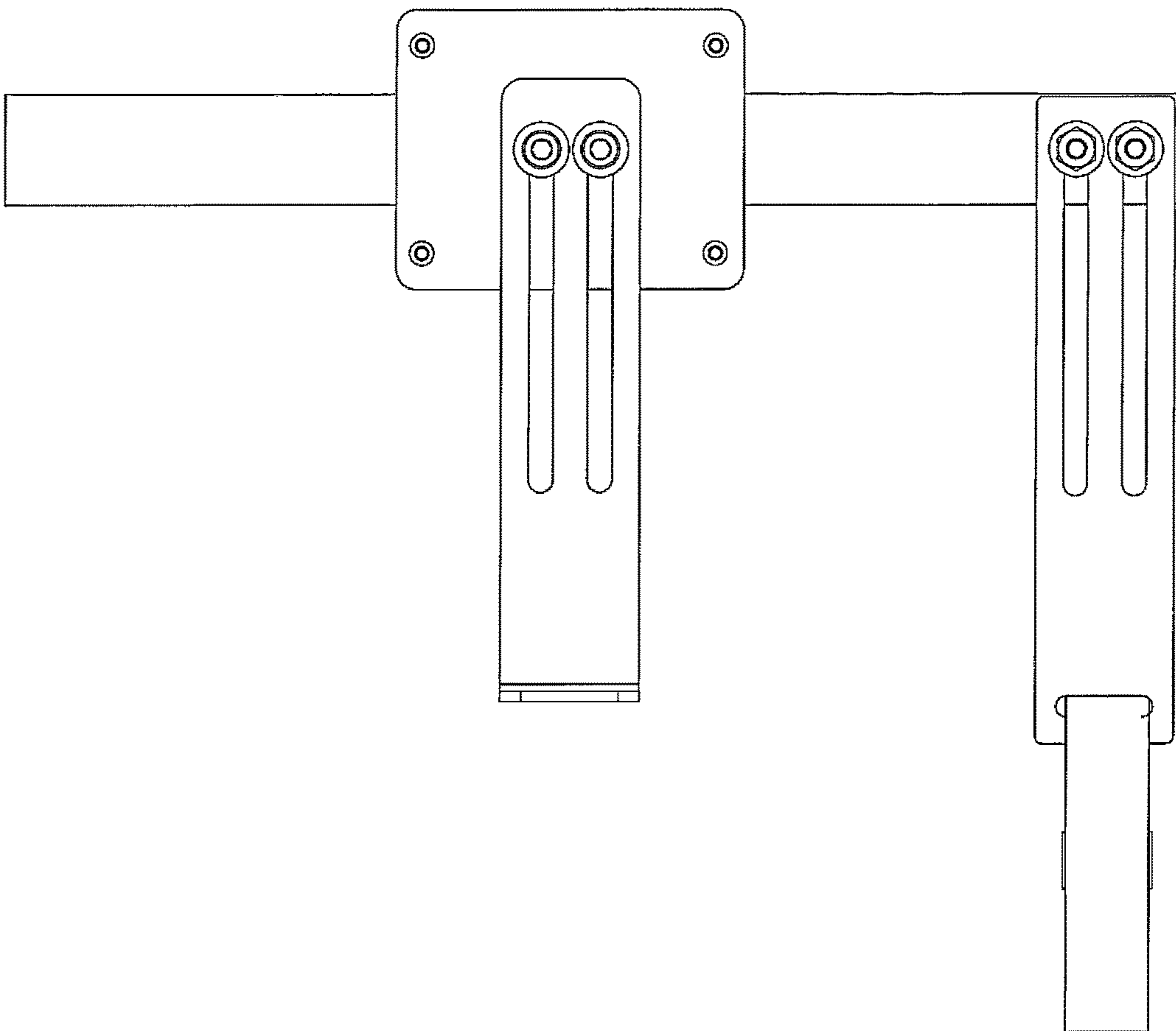


Fig. 4

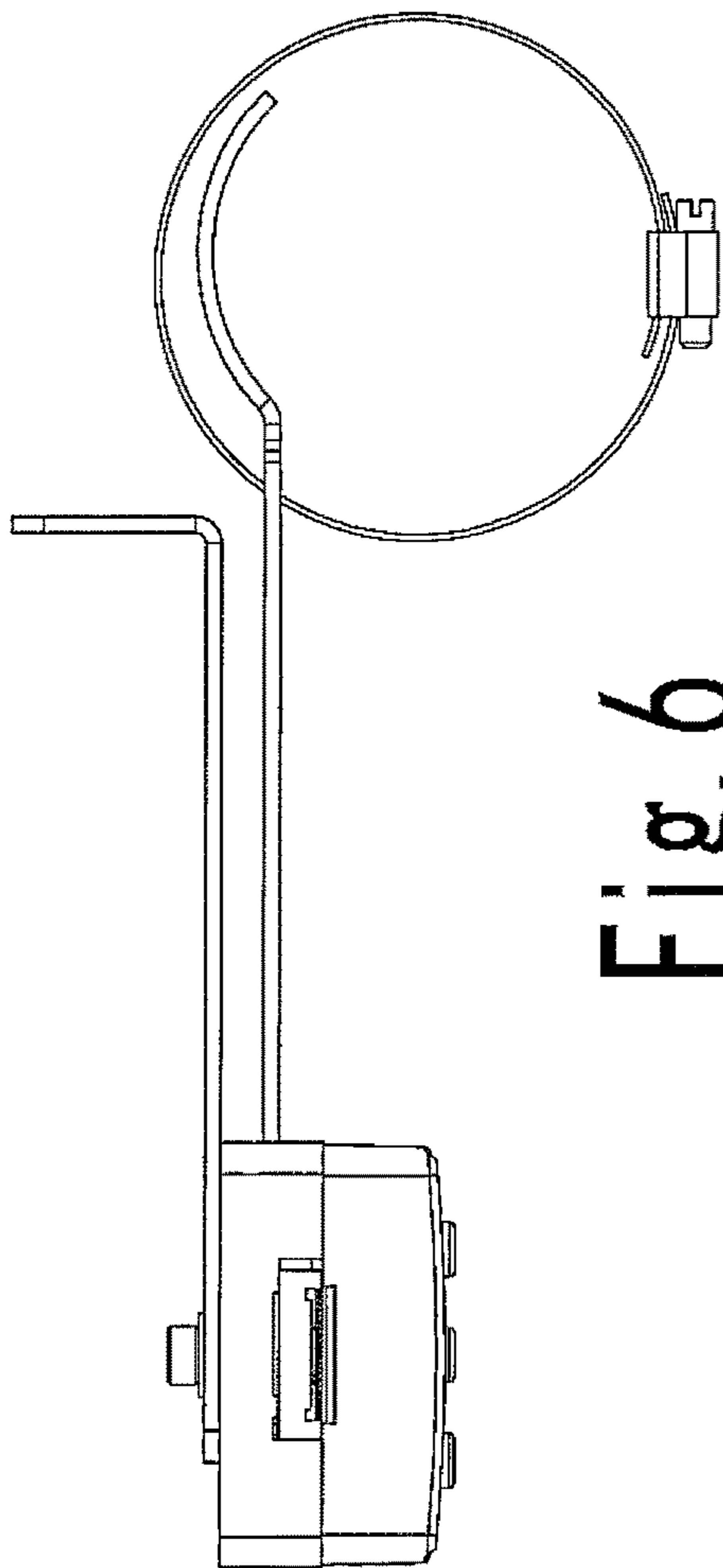


Fig. 6

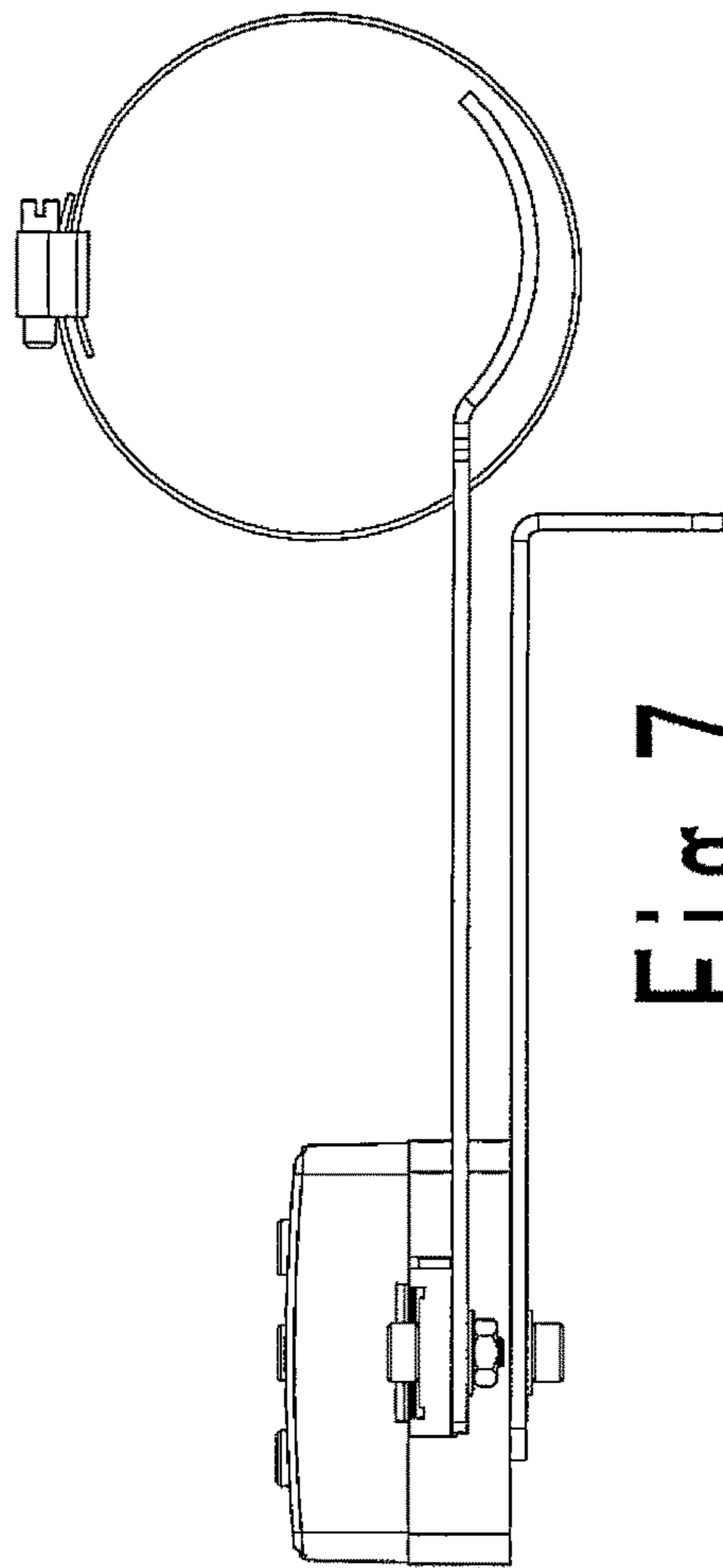


Fig. 7