



US00D961640S

(12) **United States Design Patent**
Hehl et al.

(10) **Patent No.:** **US D961,640 S**

(45) **Date of Patent:** **** Aug. 23, 2022**

(54) **INJECTION MOLDING MACHINE**

45/40; B29C 45/401; B29C 45/42; B29C 45/84; B29C 47/0004; B29C 47/0021

(71) Applicant: **ARBURG GMBH + CO KG**, Loßburg (DE)

See application file for complete search history.

(72) Inventors: **Juliane Hehl**, Lossburg (DE); **Jürgen Reiner Schmid**, Ammerbuch (DE)

(56) **References Cited**

(73) Assignee: **ARBURG GMBH + CO KG**, Lossburg (DE)

U.S. PATENT DOCUMENTS

(**) Term: **15 Years**

D202,924 S *	11/1965	Jacobs	D15/135
D550,257 S *	9/2007	Schad	D15/135
D550,258 S *	9/2007	Schad	D15/135
D617,356 S *	6/2010	Wang	D15/135
D661,714 S *	6/2012	Waterhouse	D15/135
D703,709 S *	4/2014	Tix	D15/135
D703,710 S *	4/2014	Tix	D15/135
D704,236 S *	5/2014	Tix	D15/135
D765,745 S *	9/2016	Cheung	D15/122

(21) Appl. No.: **29/715,045**

(22) Filed: **Nov. 27, 2019**

(Continued)

Related U.S. Application Data

Primary Examiner — Khawaja Anwar

(62) Division of application No. 29/601,068, filed on Apr. 18, 2017, now Pat. No. Des. 880,546.

(74) *Attorney, Agent, or Firm* — Cantor Colburn LLP

(30) **Foreign Application Priority Data**

(57) **CLAIM**

Oct. 18, 2016 (DE) 40 2016 101 284.4

We claim, the ornamental design for an injection molding machine, as shown and described.

(51) **LOC (13) Cl.** **15-03**

(52) **U.S. Cl.**
USPC **D15/135**

(58) **Field of Classification Search**

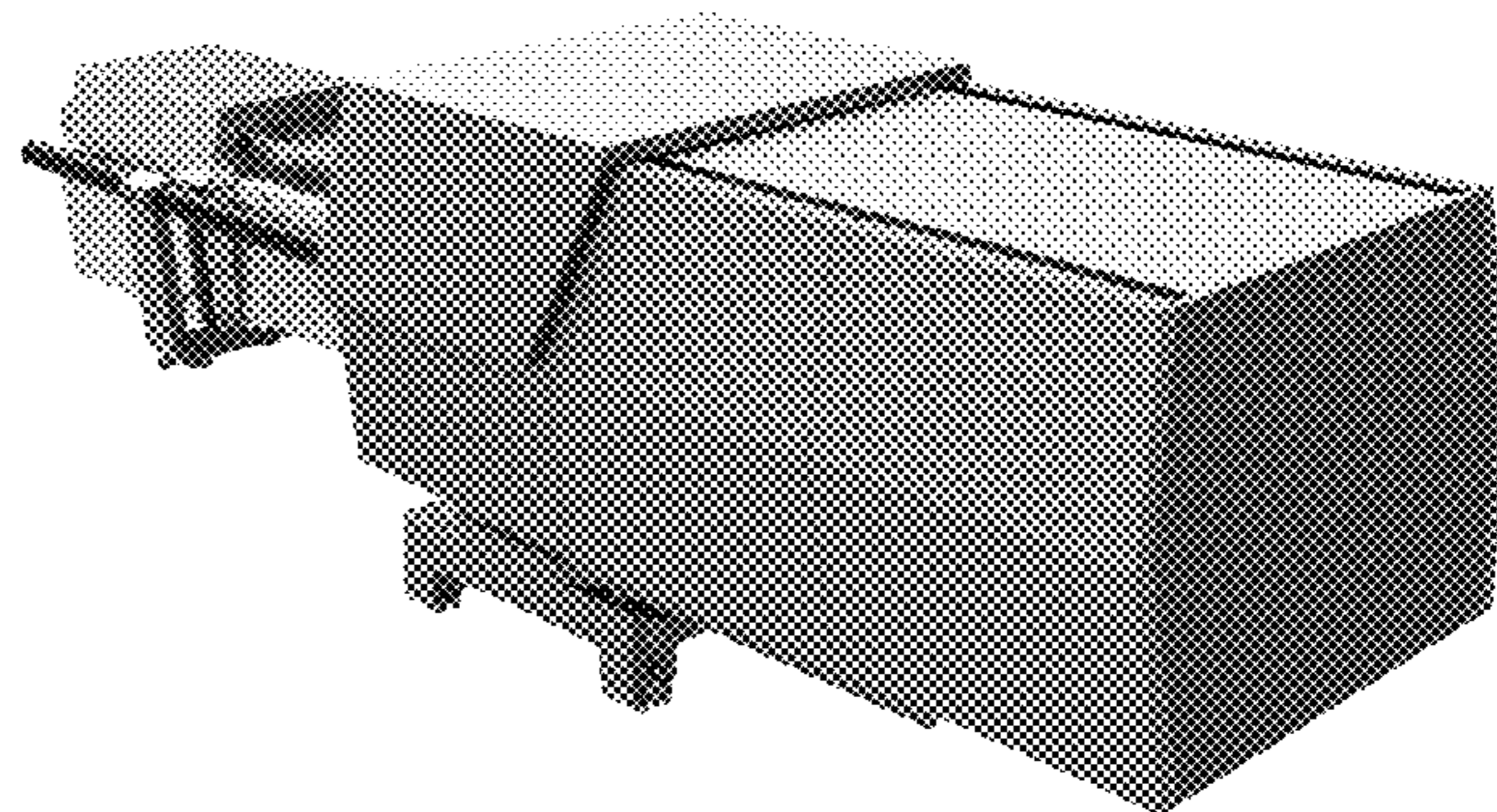
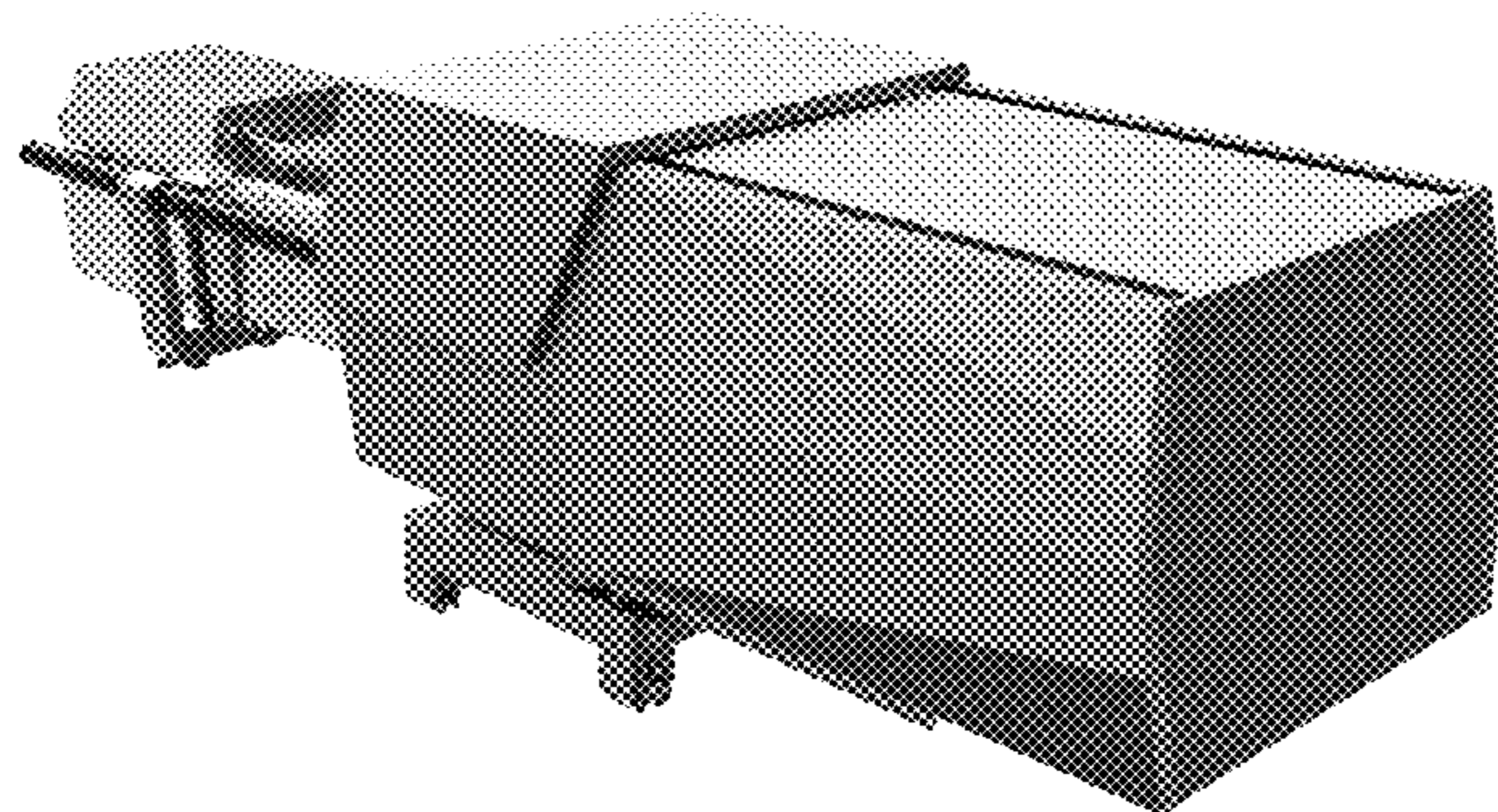
USPC D15/122, 135, 136, 137, 138, 141, 142, D15/199; D12/1, 2, 8; D8/313; D7/339-341, 348-349, 402-404

CPC B29C 45/0001; B29C 2043/3427; B29C 2043/3494; B29C 2045/0006; B29C 2045/0043; B29C 2045/0049; B29C 2045/14803; B29C 2945/76444; B29C 43/24; B29C 45/0005; B29C 45/0025; B29C 45/006; B29C 45/14311; B29C 45/14778; B29C 45/14811; B29C 45/14819; B29C 45/1657; B29C 45/1671; B29C 45/1761; B29C 45/2708; B29C

DESCRIPTION

FIG. 1 is a perspective view of an injection molding machine, showing our new design;
FIG. 2 is another perspective view thereof;
FIG. 3 is another perspective view thereof;
FIG. 4 is a side view thereof, the opposite side being a mirror image thereof;
FIG. 5 is a top view thereof;
FIG. 6 is a front view thereof;
FIG. 7 is a perspective view of another embodiment thereof;
FIG. 8 is another perspective view thereof;
FIG. 9 is another perspective view thereof;
FIG. 10 is a side view thereof, the opposite side being a mirror image thereof;
FIG. 11 is a top view thereof; and,
FIG. 12 is a front view thereof.

1 Claim, 12 Drawing Sheets



(56)

References Cited

U.S. PATENT DOCUMENTS

D768,216 S	*	10/2016	Funakoshi	D15/135
D768,741 S	*	10/2016	Funakoshi	D15/135
D803,909 S	*	11/2017	Sakaguchi	D15/135
D819,095 S	*	5/2018	Sakaguchi	D15/135
D880,546 S	*	4/2020	Hehl	D15/135

* cited by examiner

FIG. 1

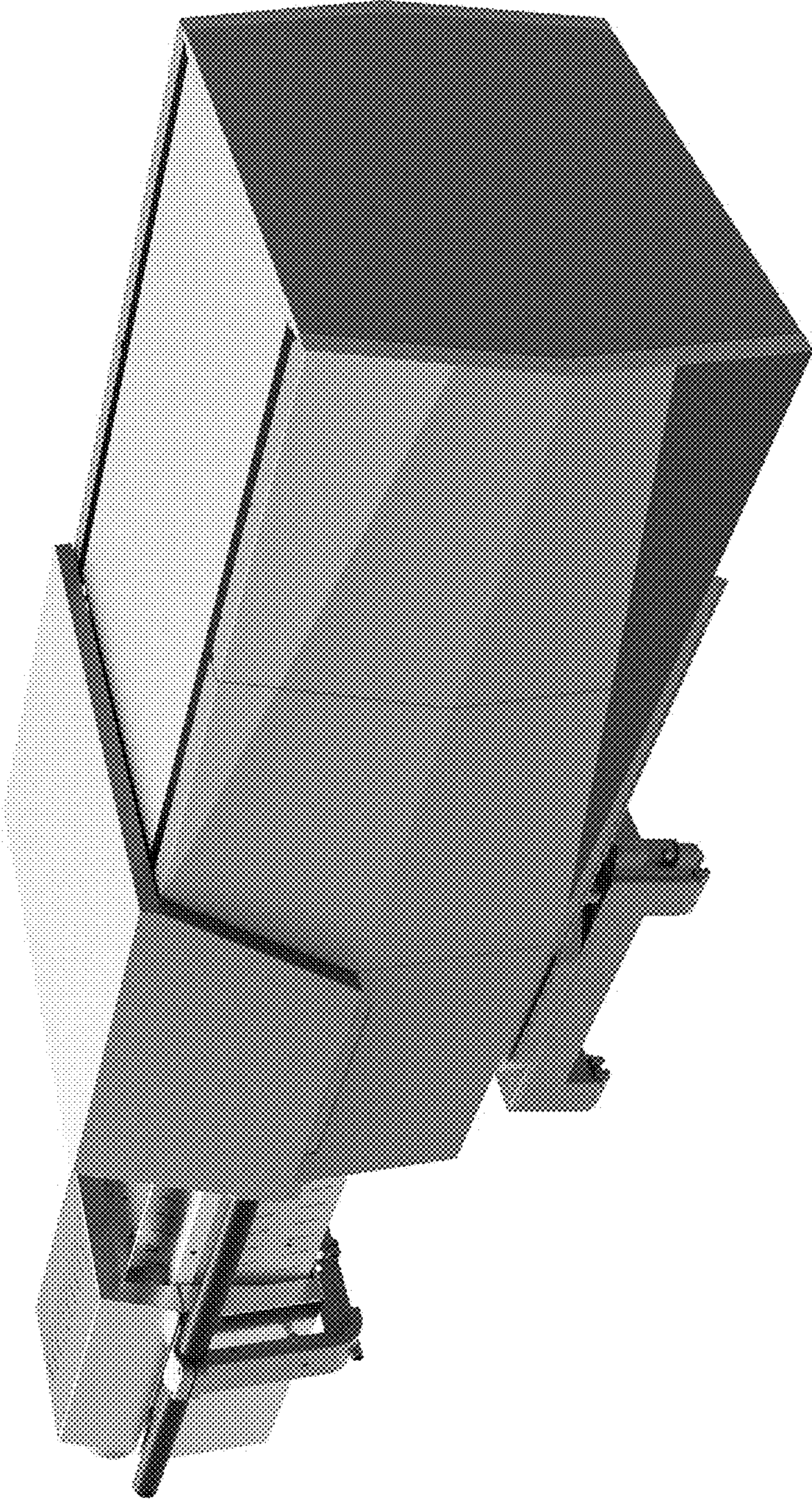


FIG. 2

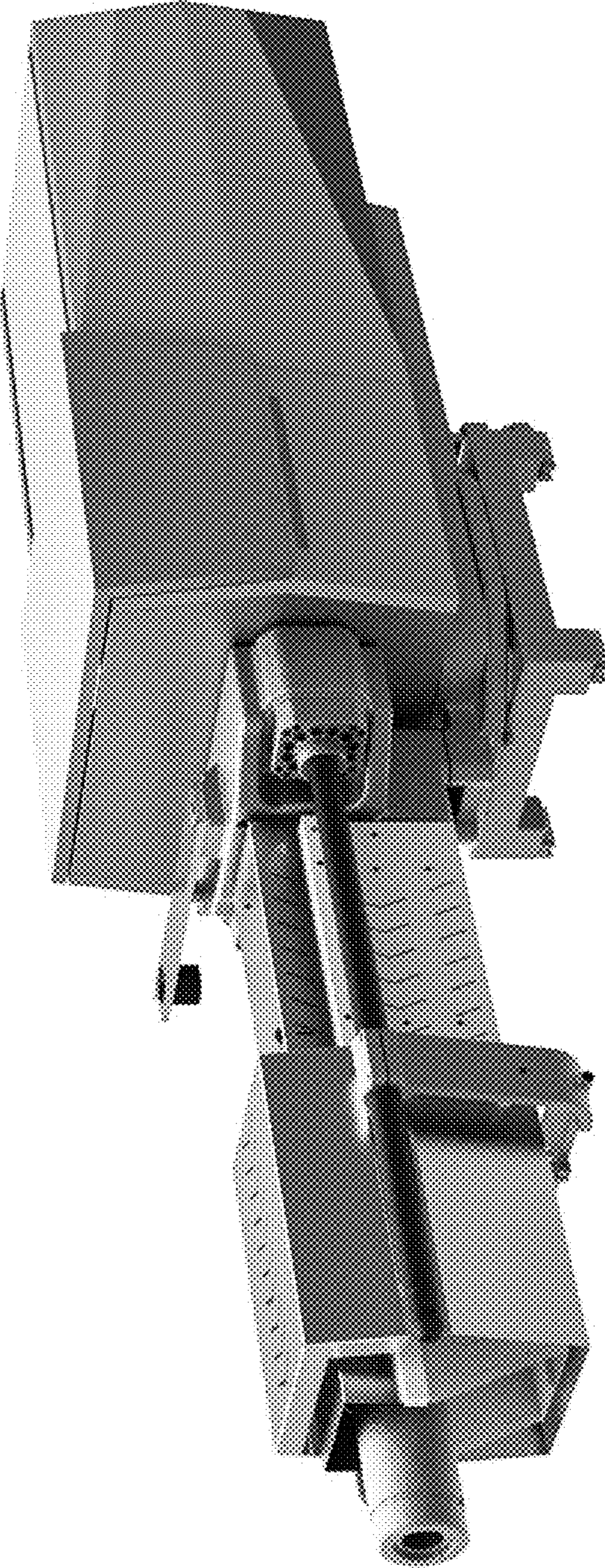


FIG. 3

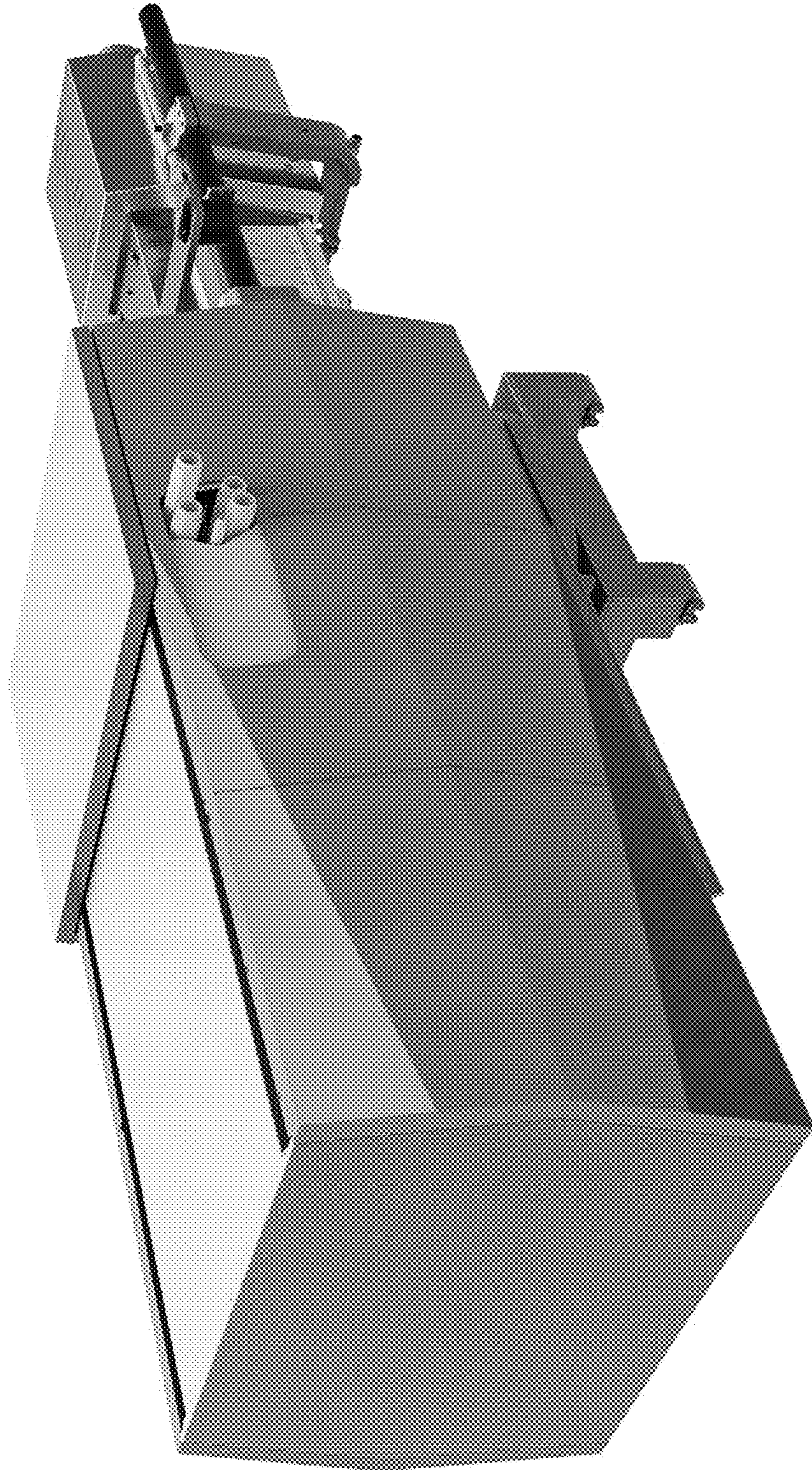


FIG. 4

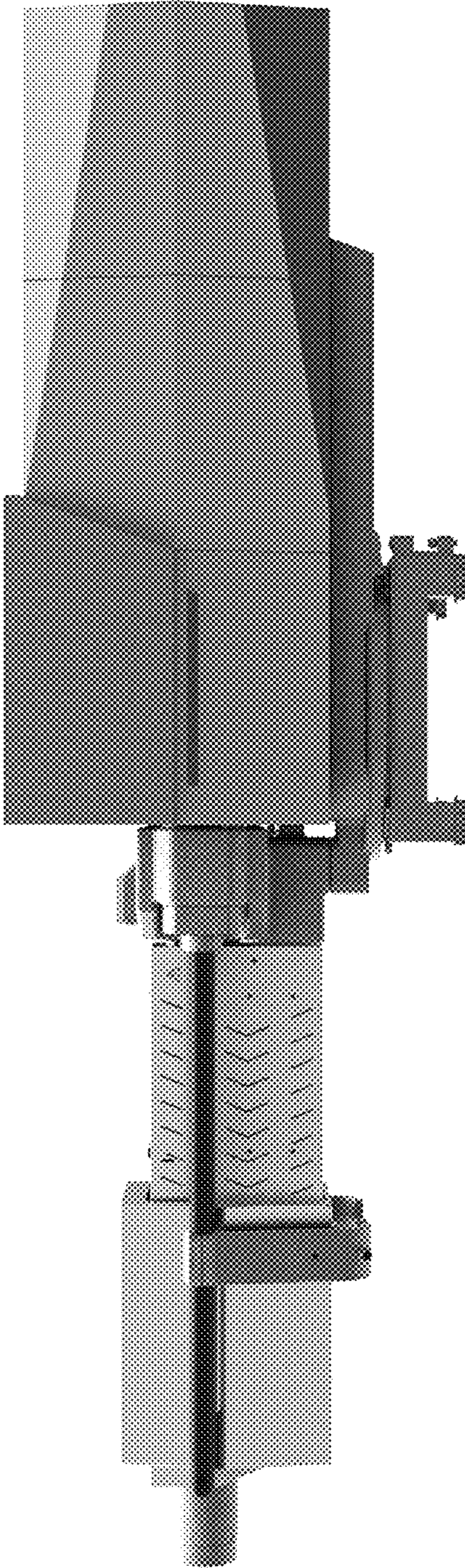


FIG. 5

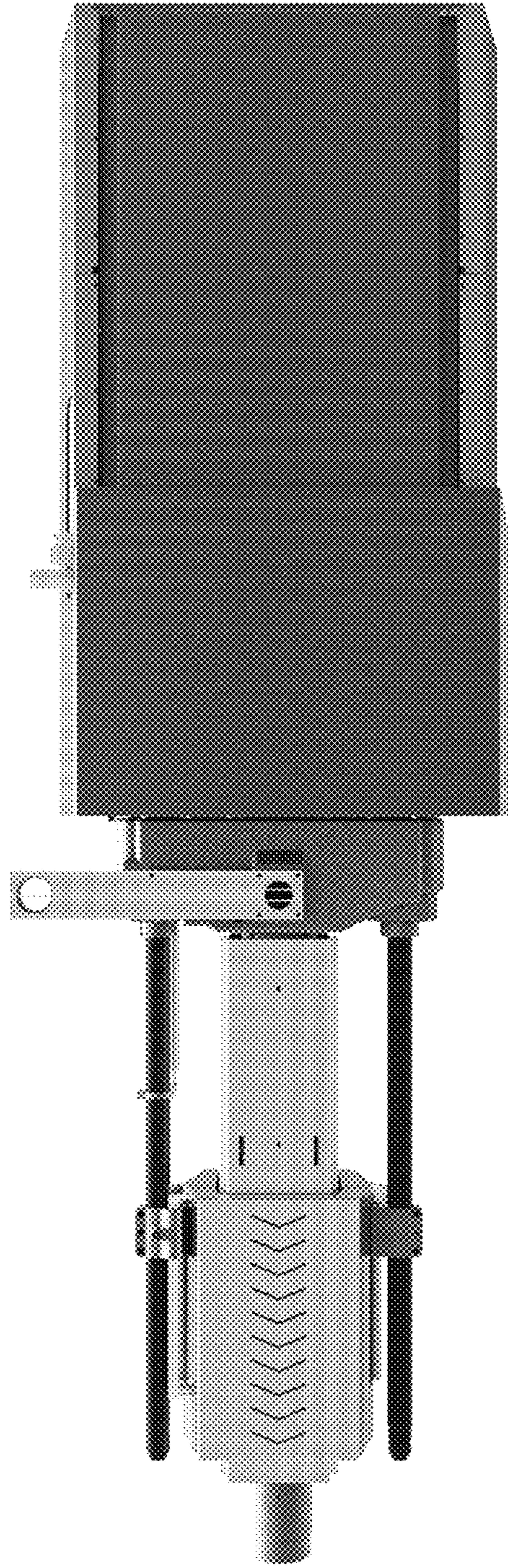


FIG. 6

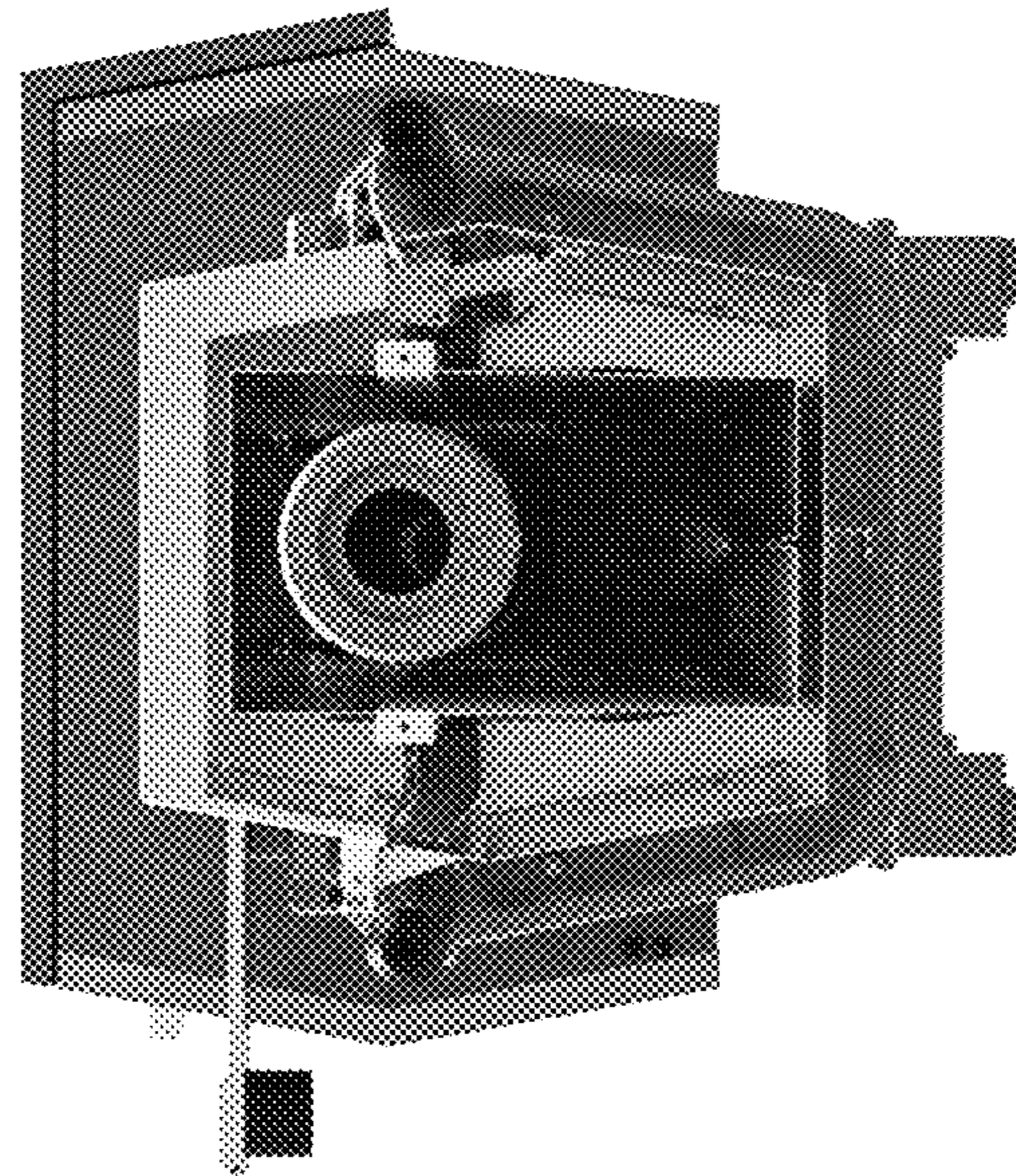


FIG. 7

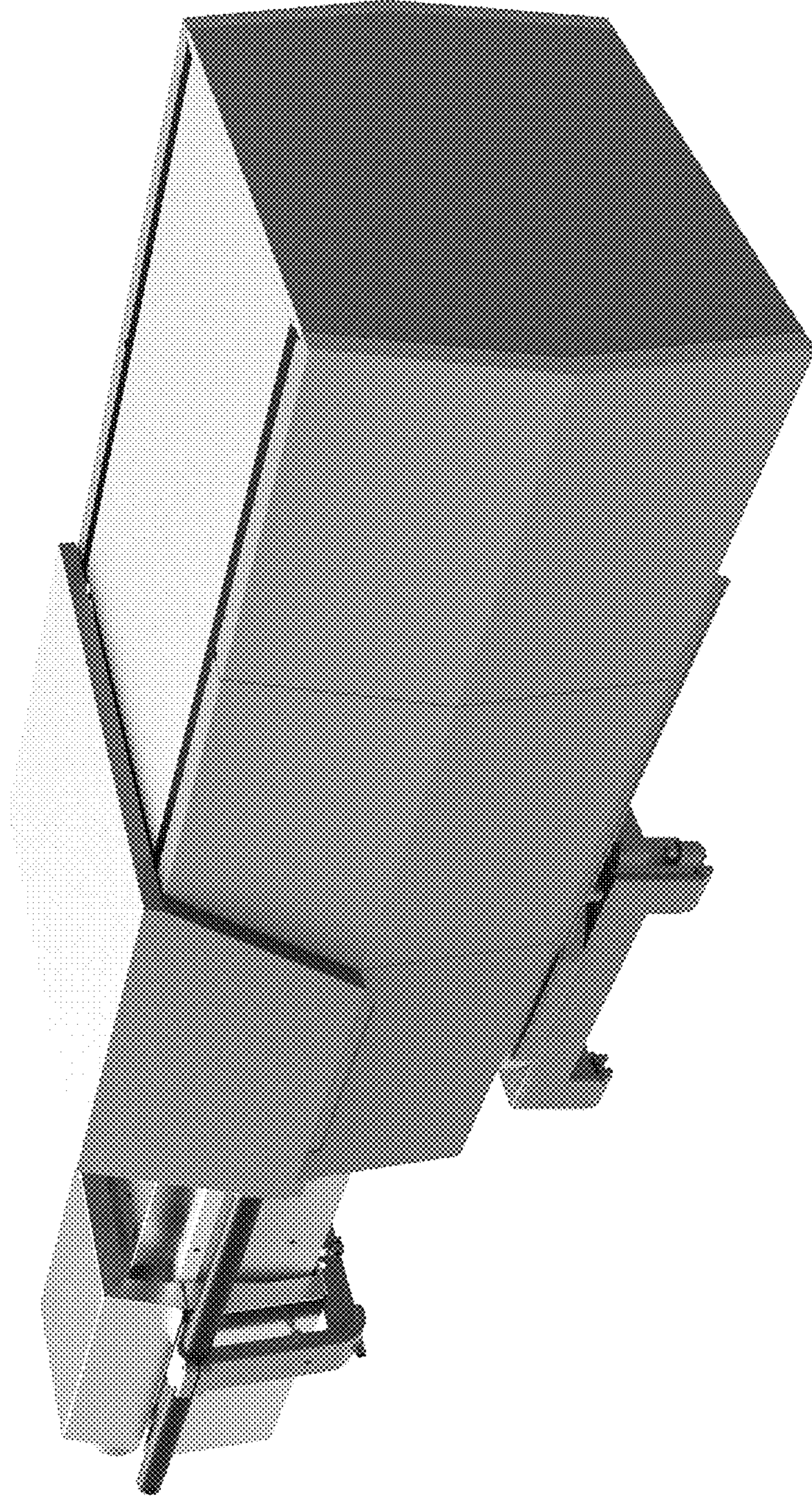


FIG. 8

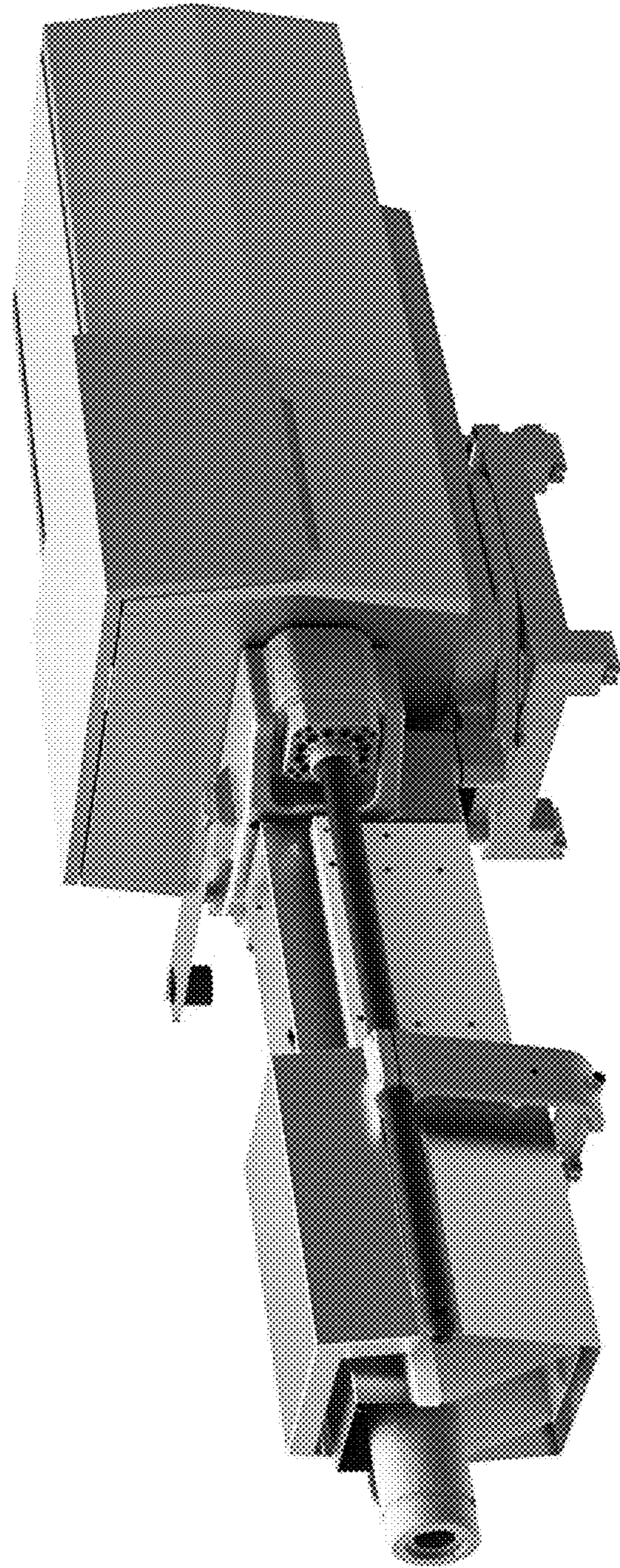


FIG. 9

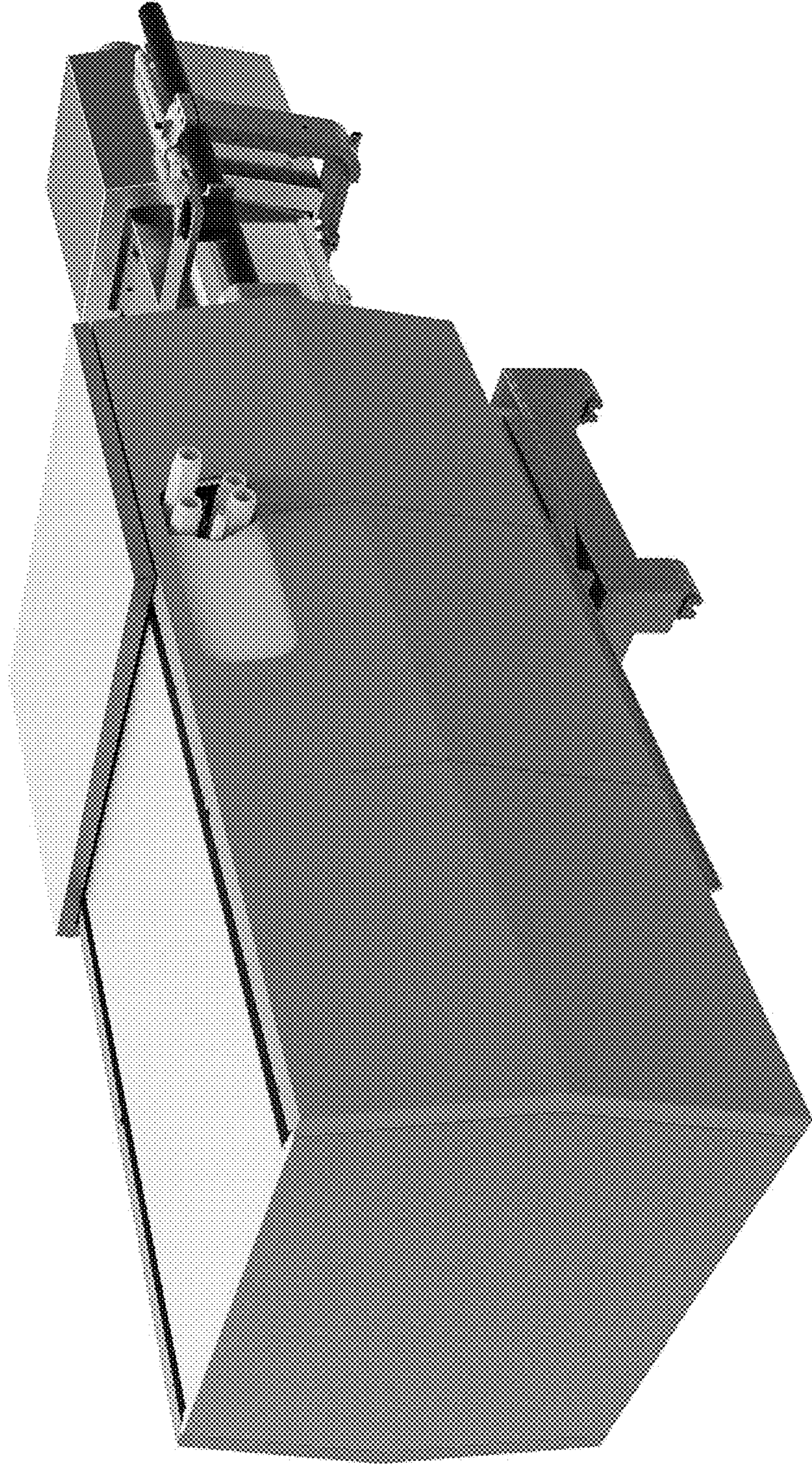


FIG. 10

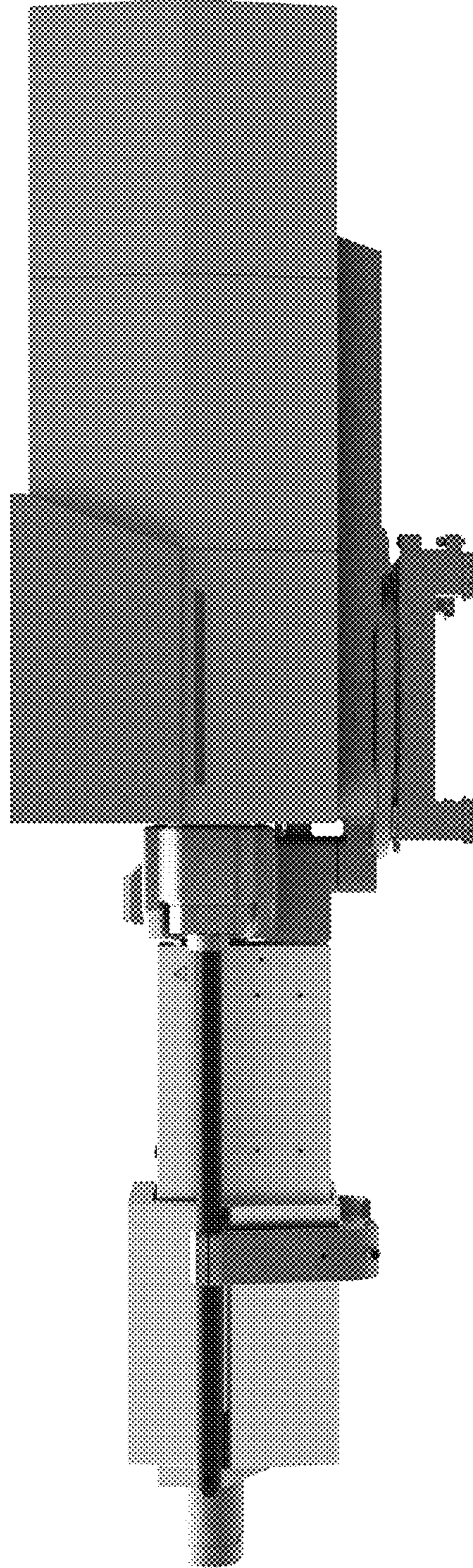


FIG. 11

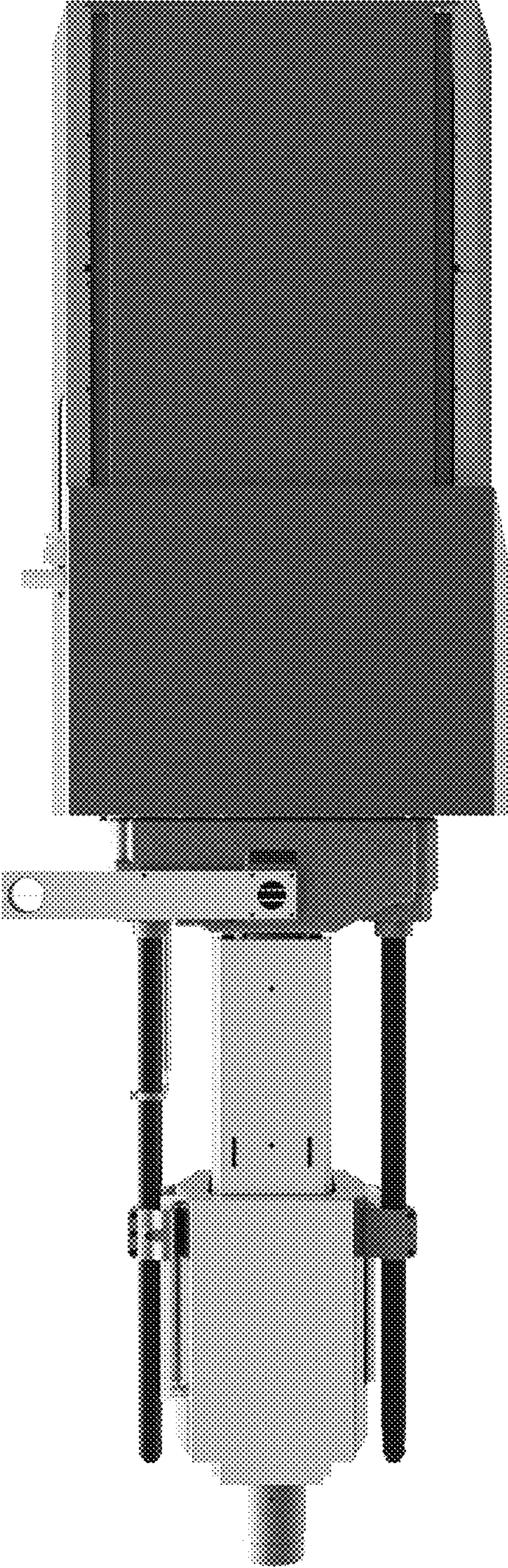


FIG. 12

