



US00D961639S

(12) **United States Design Patent** (10) **Patent No.:** **US D961,639 S**
Song et al. (45) **Date of Patent:** **** Aug. 23, 2022**

(54) **LASER PROCESSING MACHINE**
(71) Applicant: **AUTONICS CORPORATION**, Busan (KR)
(72) Inventors: **Sunkyong Song**, Busan (KR); **Donghwan Kim**, Busan (KR); **Jaeyeon Kim**, Busan (KR)
(73) Assignee: **AUTONICS CORPORATION**, Busan (KR)
(**) Term: **15 Years**
(21) Appl. No.: **35/511,328**
(22) Filed: **Aug. 4, 2020**
(80) **Hague Agreement Data**
Int. Filing Date: **Aug. 4, 2020**
Int. Reg. No.: **DM/209690**
Int. Reg. Date: **Aug. 4, 2020**
Int. Reg. Pub. Date: **Feb. 5, 2021**

(30) **Foreign Application Priority Data**
Feb. 11, 2020 (KR) 30-2020-0006078
(51) **LOC (13) Cl.** **15-09**
(52) **U.S. Cl.**
USPC **D15/122**
CPC **B23K 26/00** (2013.01)
(58) **Field of Classification Search**
USPC D15/122; D24/108, 164, 169, 170, 233
CPC B23K 26/00; B23K 26/0006; B23K 26/0096; B23K 26/08; B23K 26/36; B23K 26/32; B23K 26/40; F23G 2204/202; B01D 2259/808; B65C 2009/0043; B65C 2009/1846; B65H 2301/51536; B27K 5/005; B29C 2035/0838; H01L 21/00; H01L 21/67; H01L 2221/00; H01L 2221/67; H01L 22/10; H01L 23/32; H01L 23/544; H01S 3/00; H01S 3/0007; H01S 3/0014; H01S 3/025; H01S 3/101; H01S 5/00; H01S 5/02; H01S 5/04; H01S 5/10; H05K 3/0026

See application file for complete search history.

(56) **References Cited**
U.S. PATENT DOCUMENTS
D264,581 S * 5/1982 Mobius D13/101
6,388,228 B1 * 5/2002 Lai B23K 26/10
219/121.6
D603,430 S * 11/2009 Masauji D15/122
D603,431 S * 11/2009 Masauji D15/122
D665,829 S * 8/2012 Mueller D15/122
D786,950 S * 5/2017 Armani D15/122
D798,349 S * 9/2017 Li D15/122
D802,632 S * 11/2017 Li D15/127
D892,181 S * 8/2020 Blutbacher D15/127
D896,288 S * 9/2020 Jiang D15/127
D917,585 S * 4/2021 Okuma D15/122
D917,586 S * 4/2021 Okuma D15/122
D918,276 S * 5/2021 Okuma D15/122
D920,397 S * 5/2021 Okuma D15/122
D920,398 S * 5/2021 Okuma D15/122

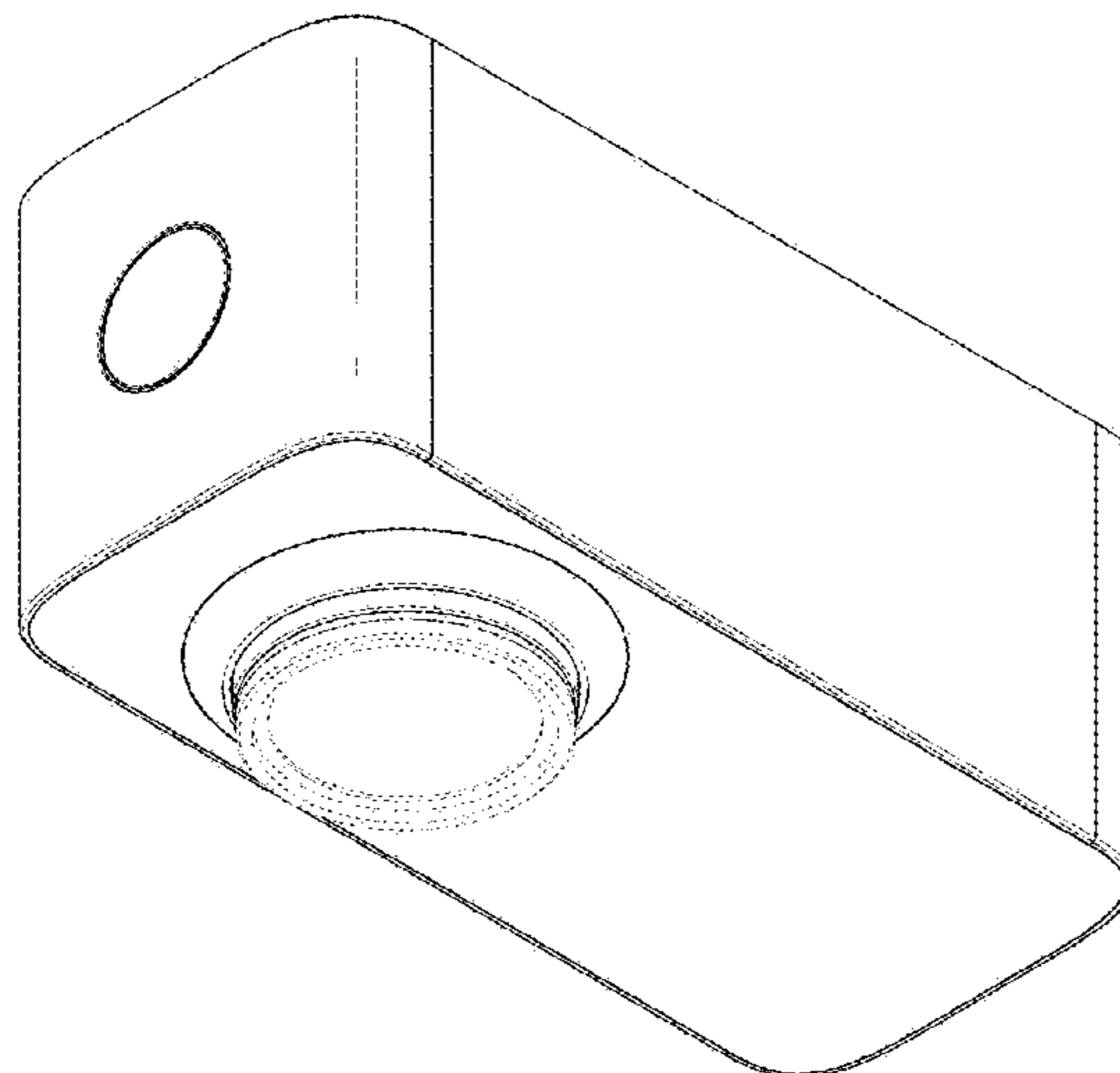
(Continued)

Primary Examiner — Richard E Chilcot

(57) **CLAIM**
The ornamental design for a laser processing machine, as shown and described.

DESCRIPTION
1. Laser processing machine
1.1 : Perspective
1.2 : Front
1.3 : Back
1.4 : Left
1.5 : Right
1.6 : Top
1.7 : Bottom
The broken lines depict portions of the laser processing machine that form no part of the claimed design; the dash dot lines define the bounds of the claimed design and form no part thereof.

1 Claim, 7 Drawing Sheets



(56)

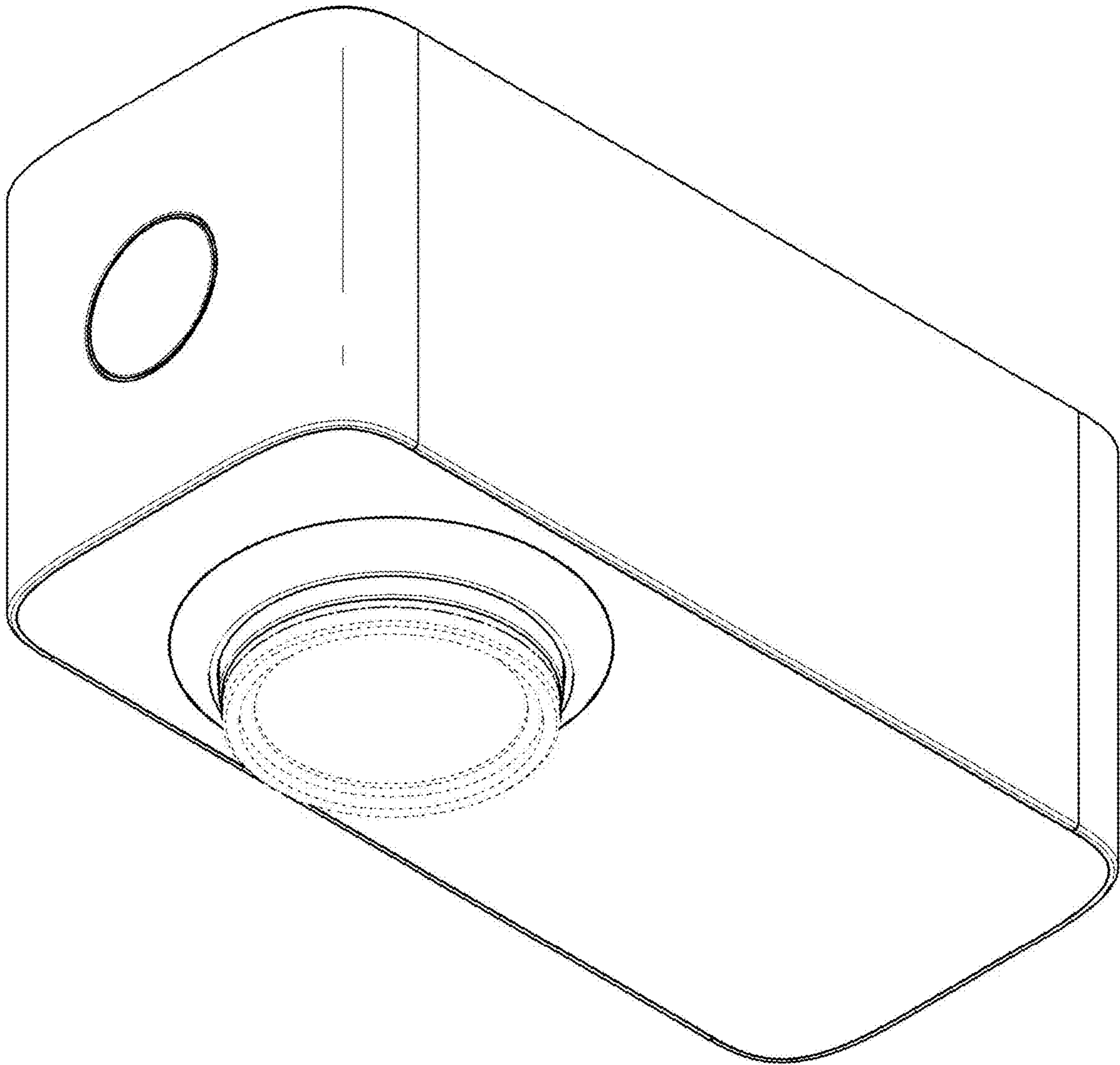
References Cited

U.S. PATENT DOCUMENTS

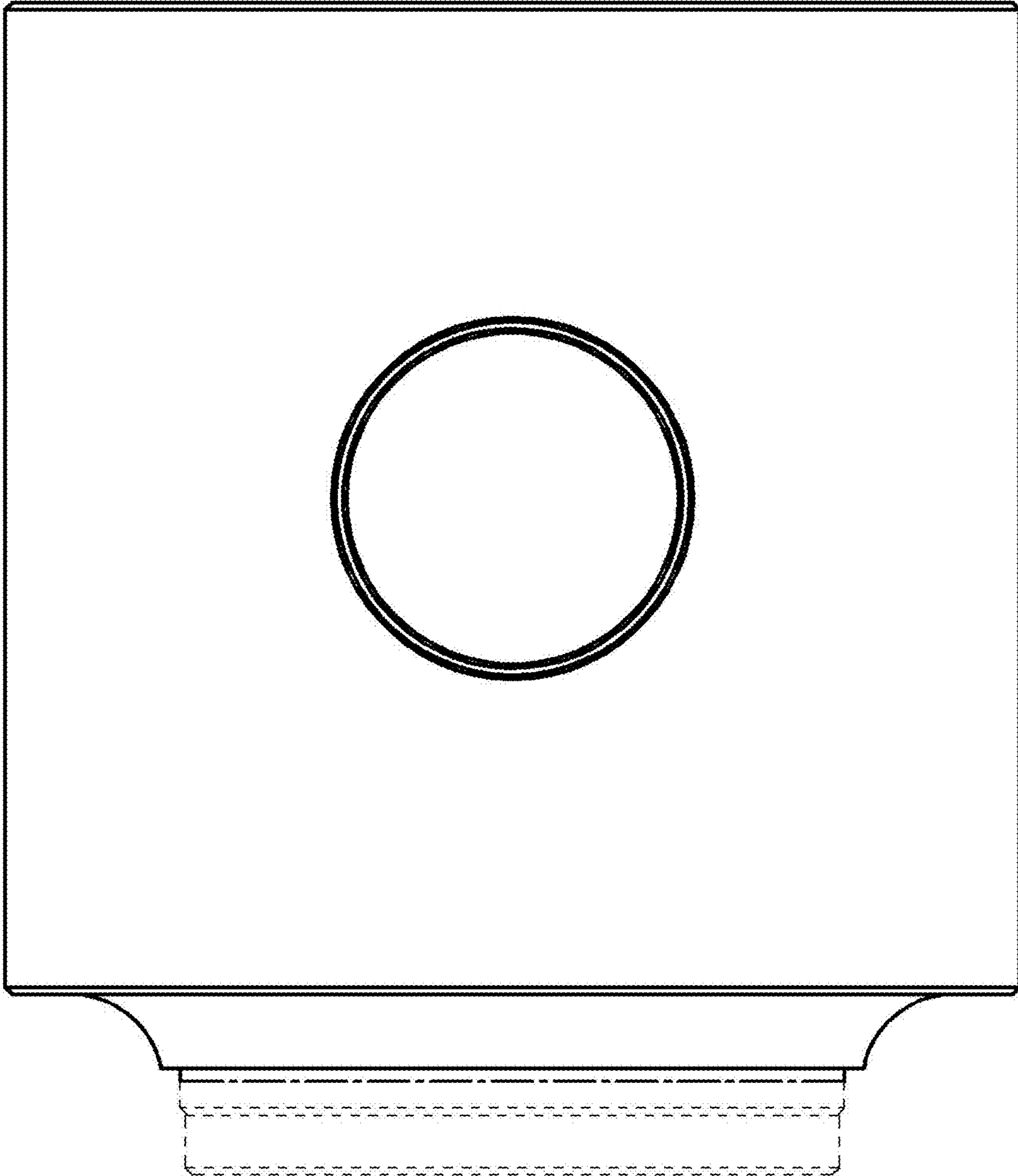
D920,399 S * 5/2021 Shin D15/127
D921,068 S * 6/2021 Okuma D15/122
D931,348 S * 9/2021 Zou D15/144
D932,524 S * 10/2021 Tsukamoto D15/122
D932,527 S * 10/2021 Tsukamoto D15/122
D933,111 S * 10/2021 Tsukamoto D15/122
2018/0161929 A1 * 6/2018 Chen B23K 26/36
2019/0039185 A1 * 2/2019 Nayuki B23K 26/0821
2019/0224798 A1 * 7/2019 Chepurny B23K 26/706

* cited by examiner

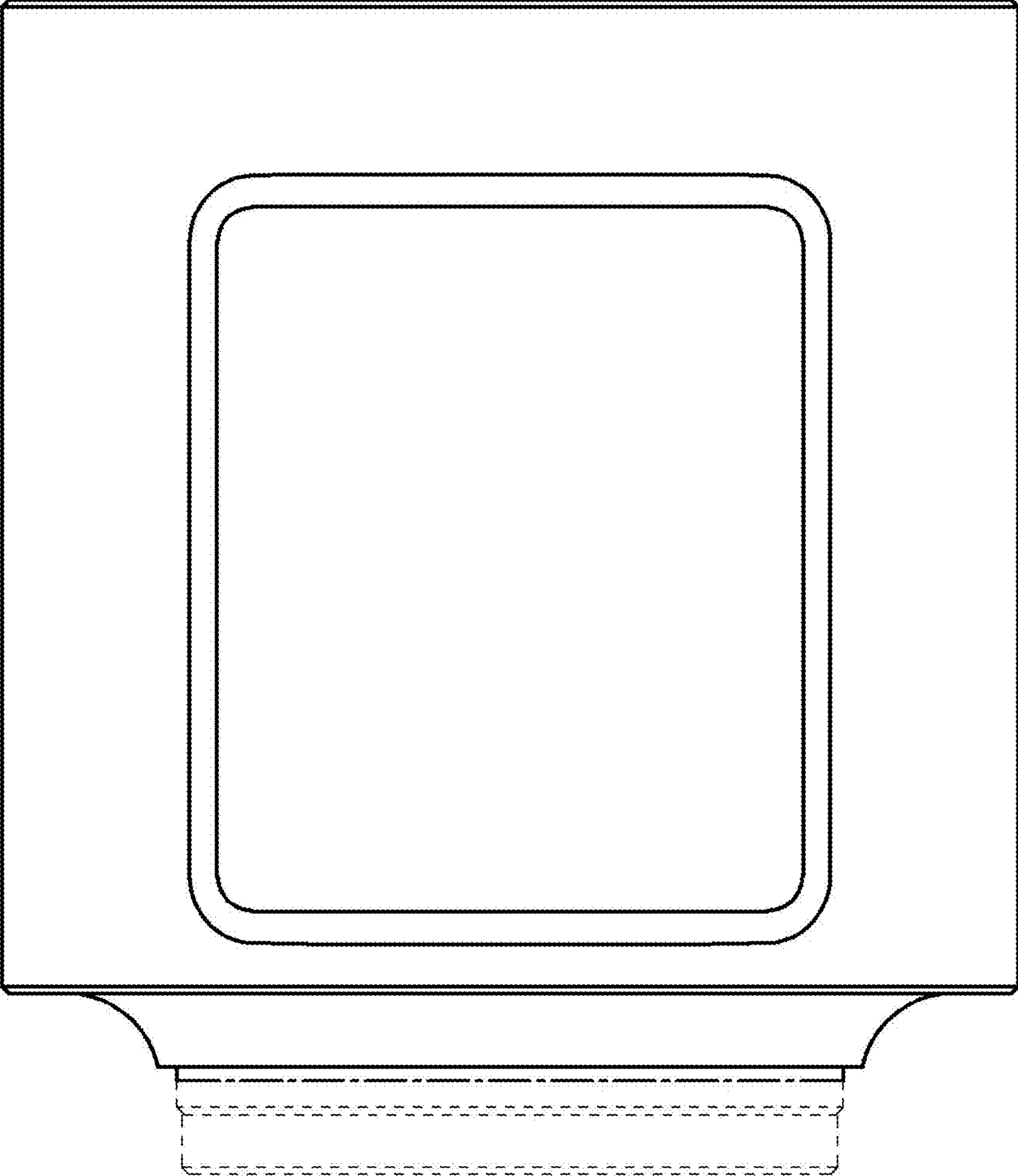
1.1



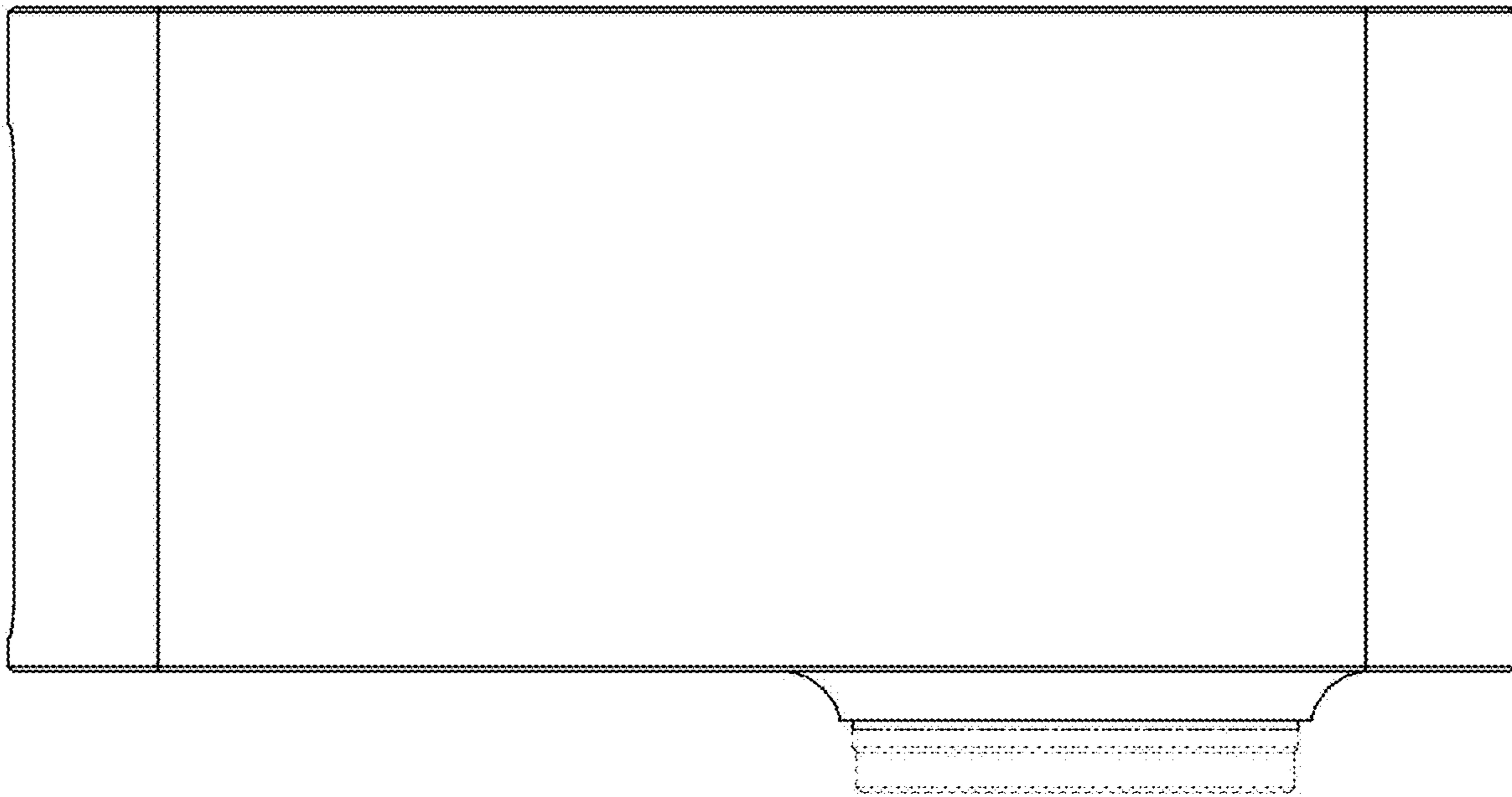
1.2



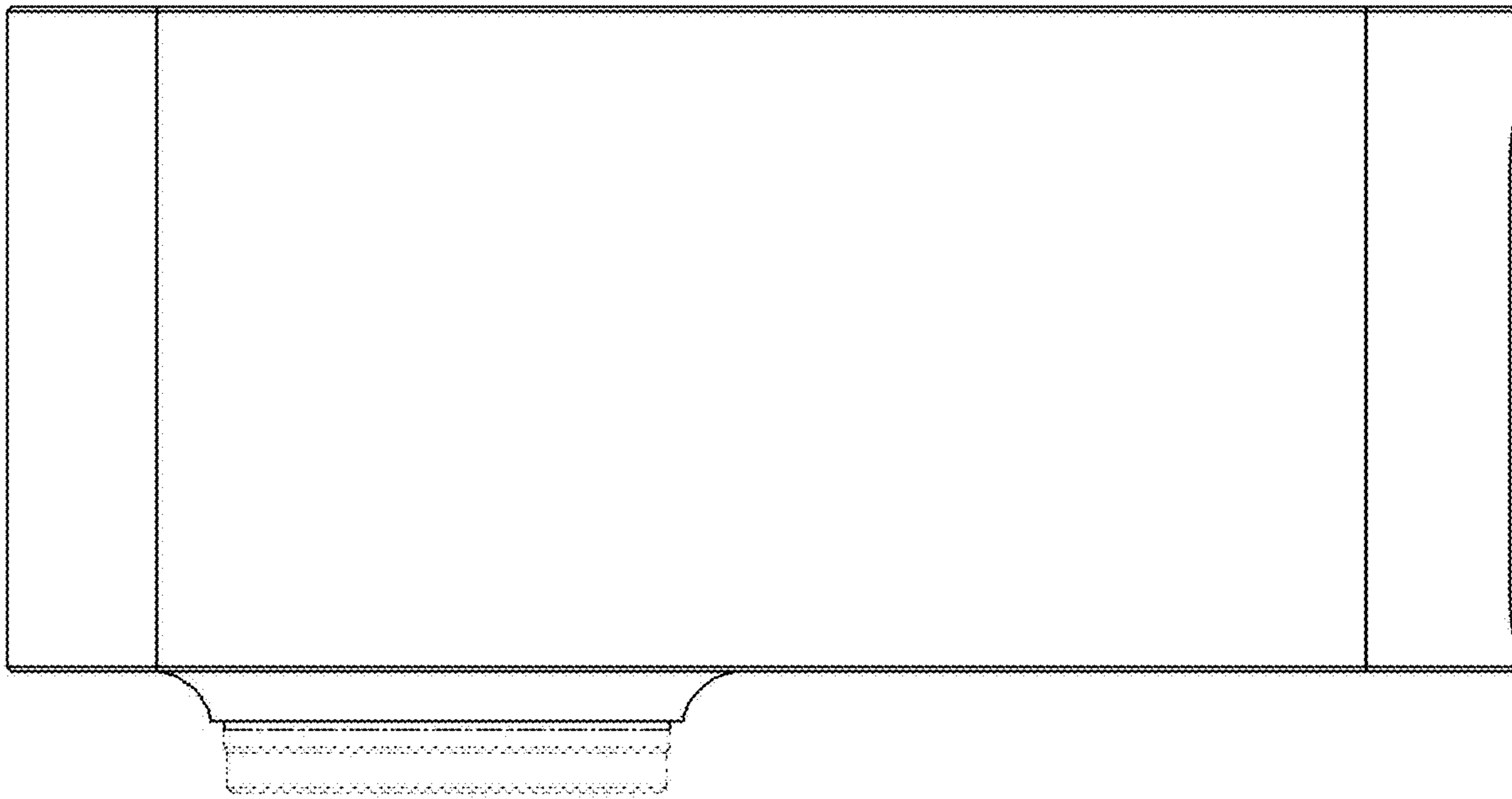
1.3



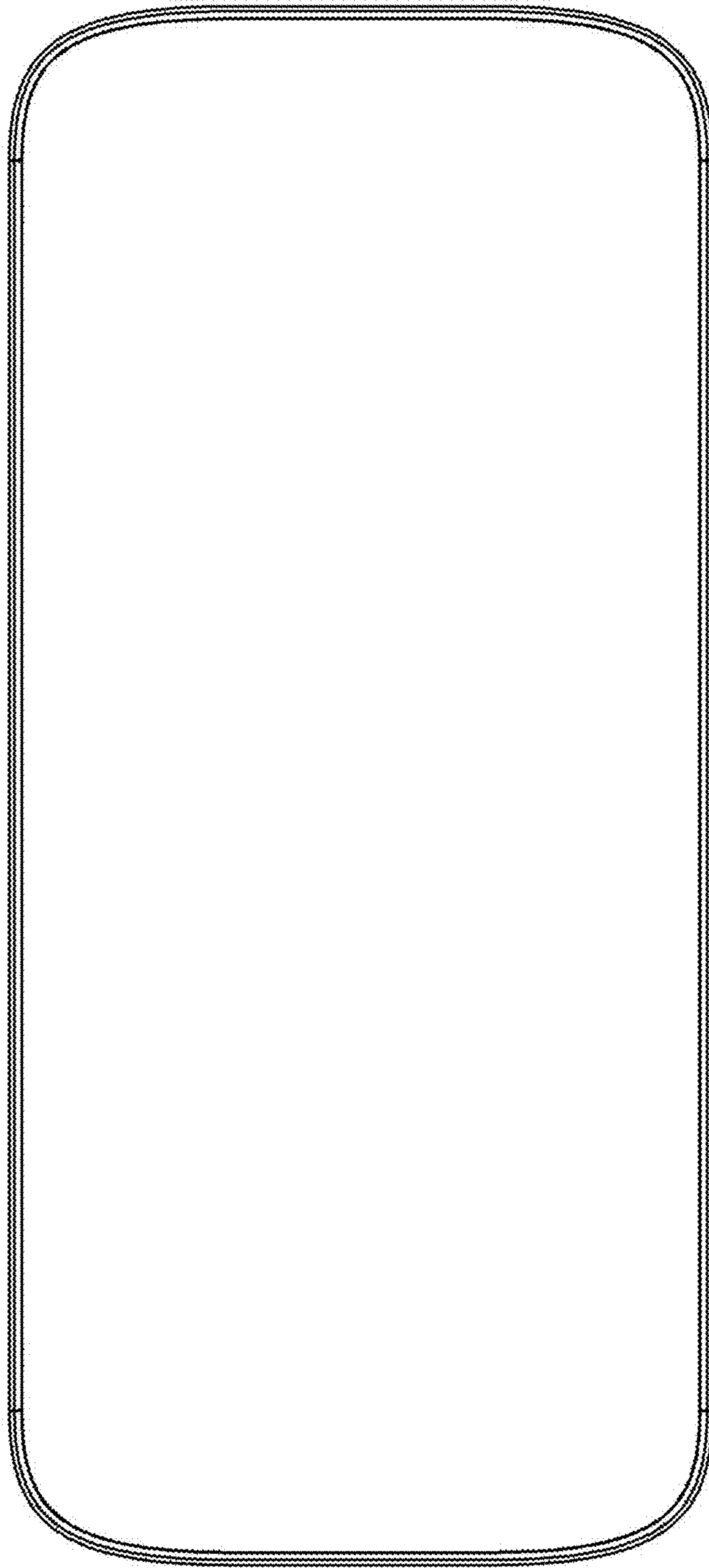
1.4



1.5



1.6



1.7

