



US00D961635S

(12) **United States Design Patent**
Shi et al.

(10) **Patent No.:** **US D961,635 S**

(45) **Date of Patent:** **** Aug. 23, 2022**

(54) **CAR REFRIGERATOR**

2331/805; F25D 2331/806; F25D
2331/809; F25D 2400/16

(71) Applicant: **NINGBO AQUART ELECTRICAL
APPLIANCE CO., LTD.**, Ningbo
(CN)

See application file for complete search history.

(72) Inventors: **Zukuang Shi**, Wuxi (CN); **Yu Hu**,
Anyang (CN); **Yunpeng Shu**, Cixi (CN)

(56) **References Cited**

U.S. PATENT DOCUMENTS

D429,606 S * 8/2000 Israel D7/605
D480,274 S * 10/2003 Yuen D7/605

(Continued)

(73) Assignee: **NINGBO AQUART ELECTRICAL
APPLIANCE CO., LTD.**, Ningbo
(CN)

OTHER PUBLICATIONS

Design No. 306175808, Jul. 9, 2020—China National Intellectual
Property Administration (CNIPA) Publication Date—Nov. 17, 2020
Owner—Ningbo Aquart Electrical Appliance Co Ltd, Designer—
Shi Zukuang WIPO, available at [https://www3.wipo.int/designdb/
en/index.jsp](https://www3.wipo.int/designdb/en/index.jsp) (Year: 2020).*

(Continued)

(**) Term: **15 Years**

Primary Examiner — Mary Ann Calabrese
Assistant Examiner — Natalya M Rapundalo

(21) Appl. No.: **29/755,648**

(22) Filed: **Oct. 21, 2020**

(51) **LOC (13) Cl.** **15-07**

(52) **U.S. Cl.**
USPC **D15/83**; D7/605

(58) **Field of Classification Search**
USPC D7/300, 300.1, 312, 313, 354, 355, 360,
D7/361, 387, 391, 392, 396.2, 509, 510,
D7/511, 512, 513, 523, 533, 536,
D7/601–608, 619.1, 622, 624.1–624.3,
D7/625, 629, 630, 709; D3/202,
D3/215–217, 272–274, 276, 279, 283,
D3/284, 294, 295, 299, 301, 318, 327;
D15/81, 83

CPC A45C 11/20; A47J 27/002; A47J 27/004;
A47J 36/10; A47J 36/24; A47J 36/2483;
A47J 36/32; A47J 47/10; B29C 66/53461;
B65D 43/02; B65D 43/162; B65D
2543/00092; B65D 81/3386; B65D 81/38;
B65D 81/3802; B65D 81/3823; B65D
81/3837; B65D 81/3839; B65D 81/3841;
B65D 81/3844; B65D 81/3846; B65D
81/3876; B67D 1/0857; B67D 3/0009;
F25D 3/02; F25D 3/0812; F25D 3/14;
F25D 31/002; F25D 31/007; F25D
31/008; F25D 2331/801; F25D 2331/803;
F25D 2331/804; F25D 2331/8041; F25D

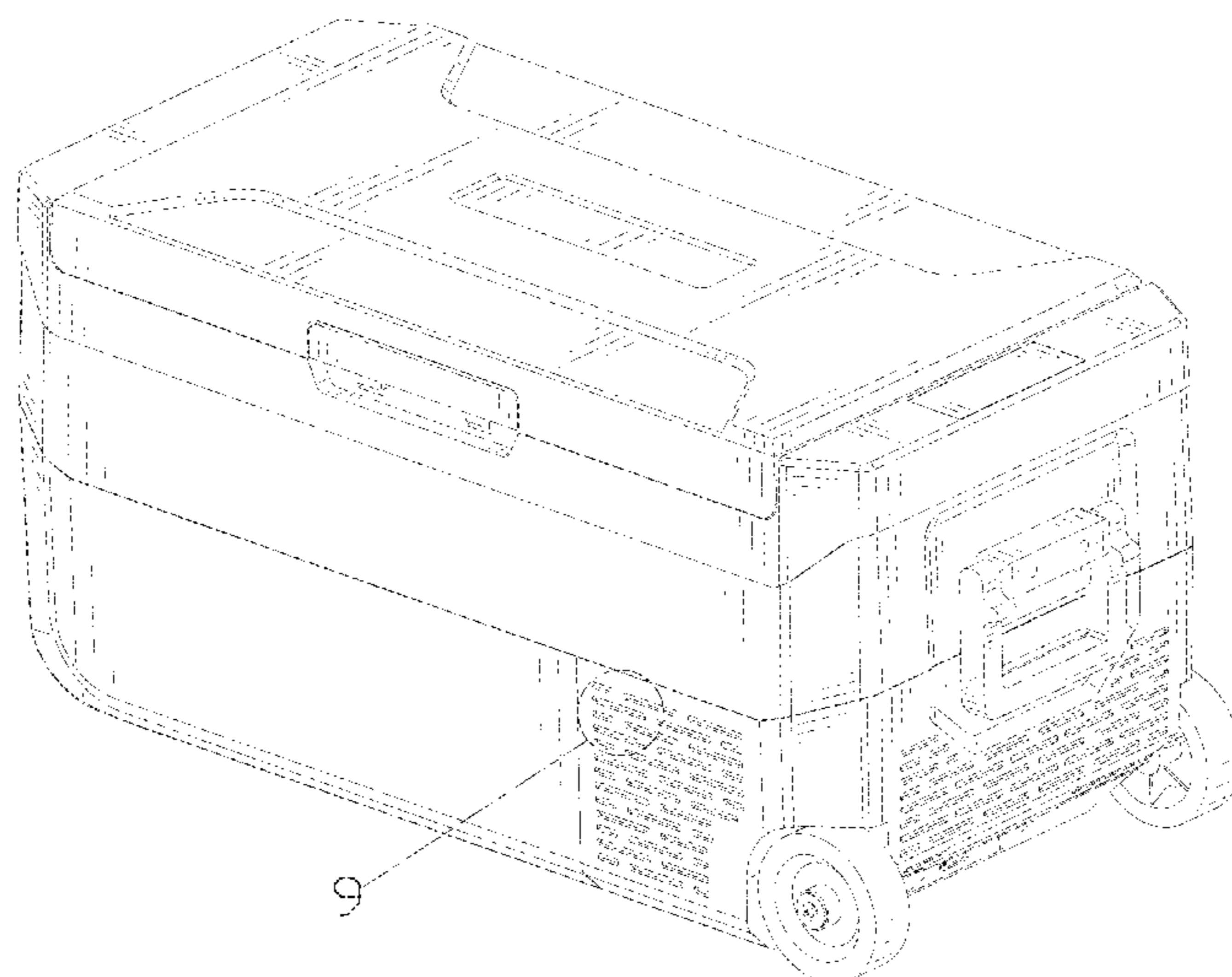
(57) **CLAIM**

The ornamental design for a car refrigerator, as shown and
described.

DESCRIPTION

FIG. 1 is a top front perspective view of a car refrigerator
showing our new design;
FIG. 2 is a bottom rear perspective view thereof;
FIG. 3 is a front elevational view thereof;
FIG. 4 is a rear elevational view thereof;
FIG. 5 is a left side devotional view thereof,
FIG. 6 is a right side elevational view thereof;
FIG. 7 is a top plan view thereof;
FIG. 8 is a bottom plan view thereof; and,
FIG. 9 is an enlarged view of portion 9 shown in FIG. 1.
The broken lines in the drawings depict portions of the car
refrigerator that form no part of the claimed design.

1 Claim, 9 Drawing Sheets



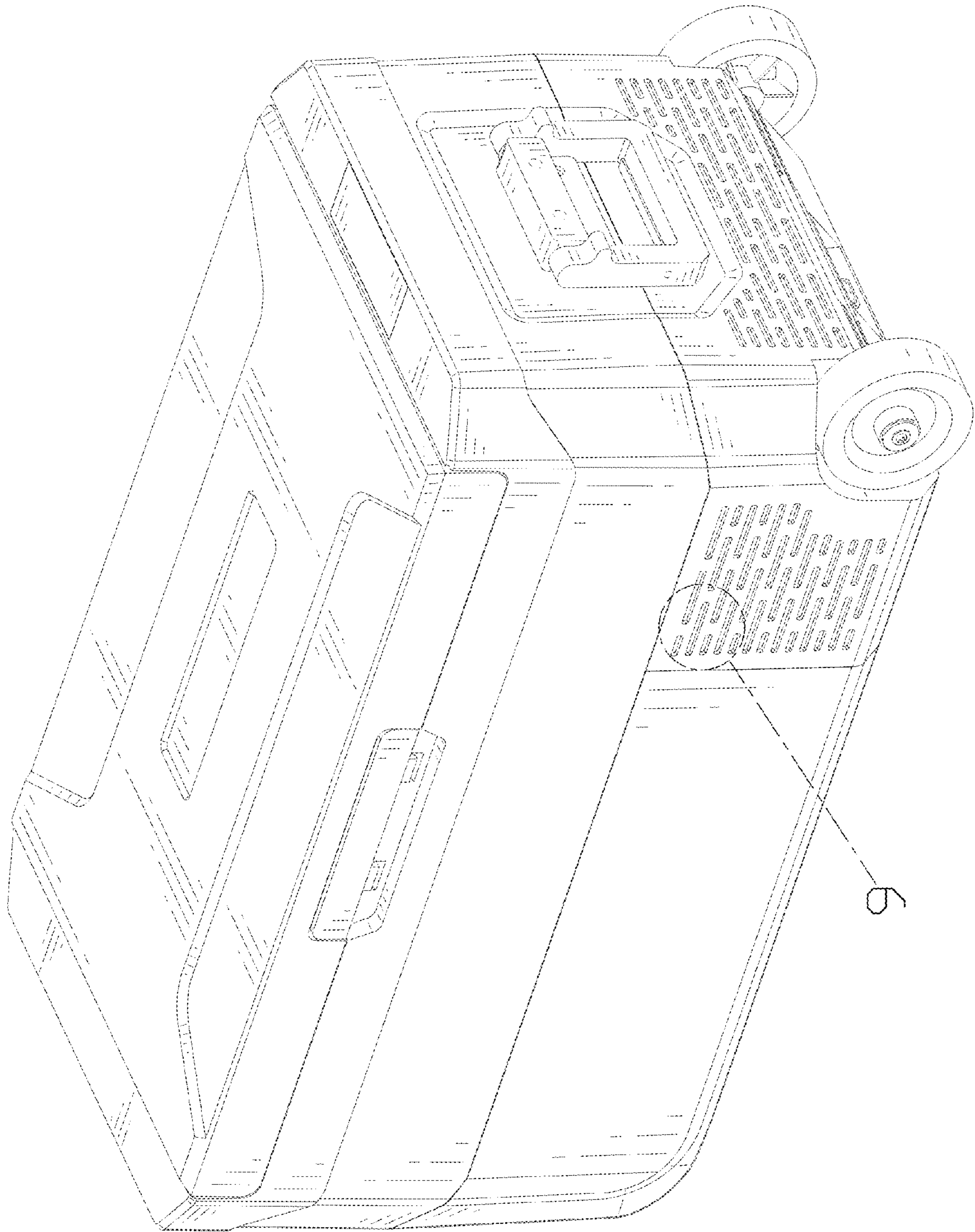


FIG. 1

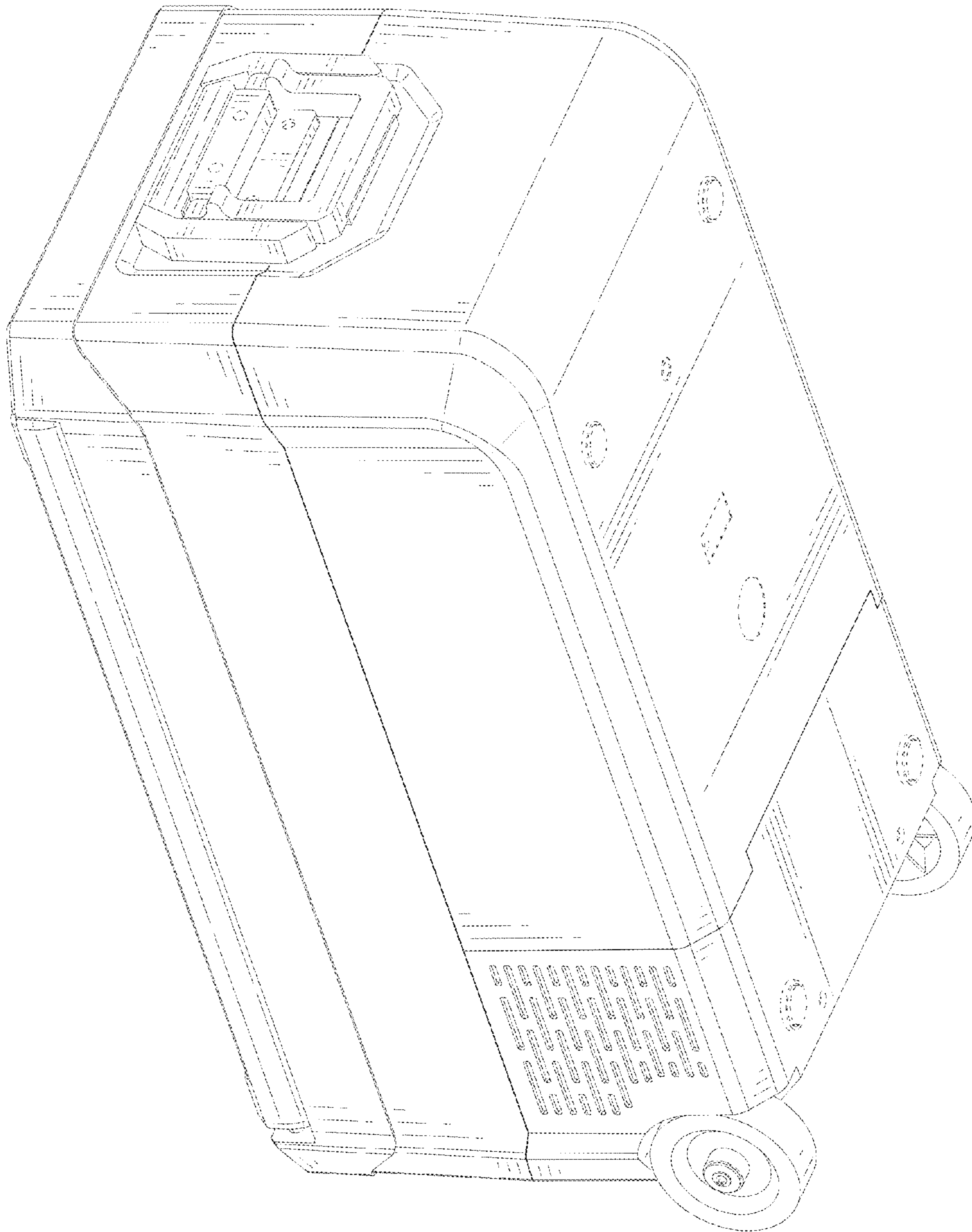


FIG. 2

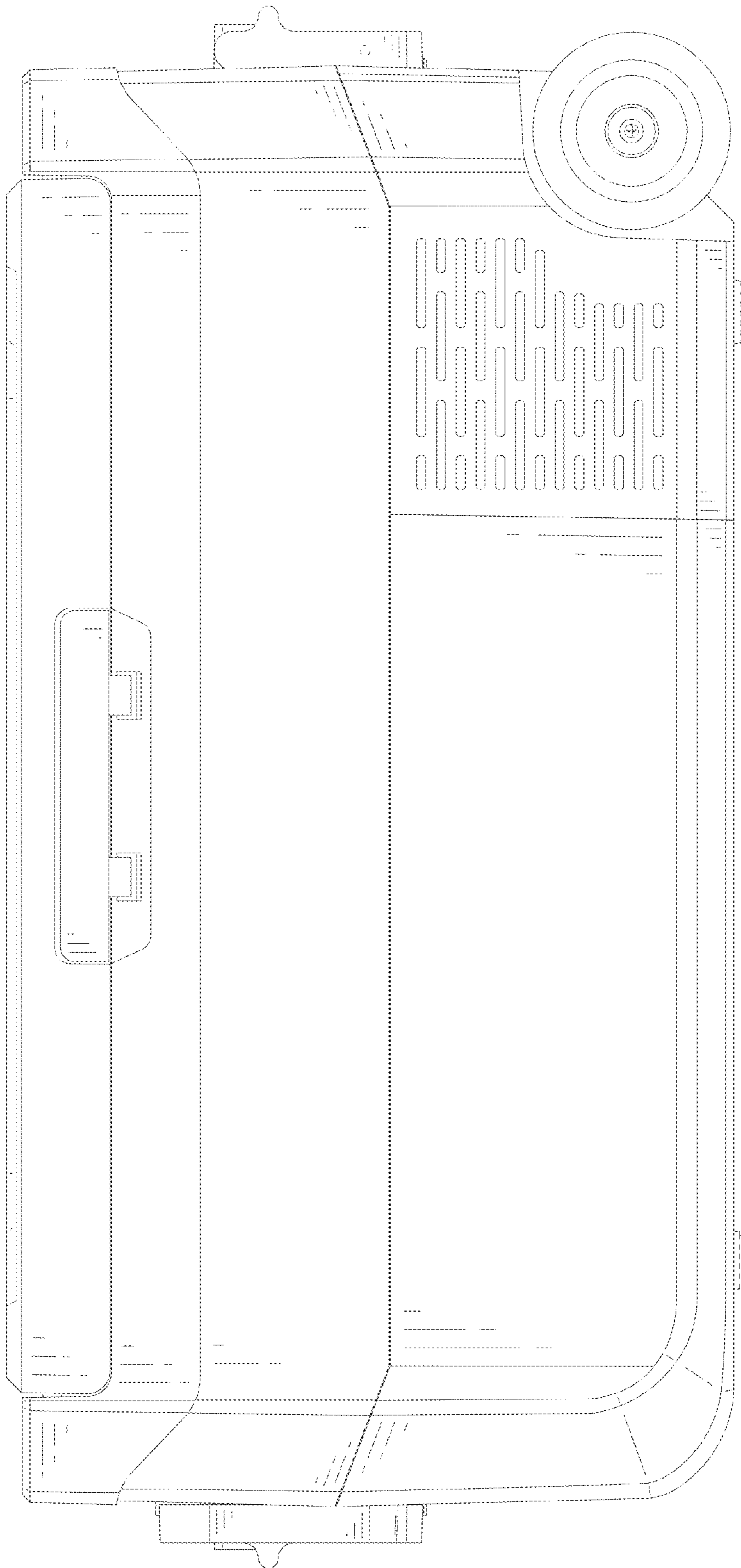


FIG. 3

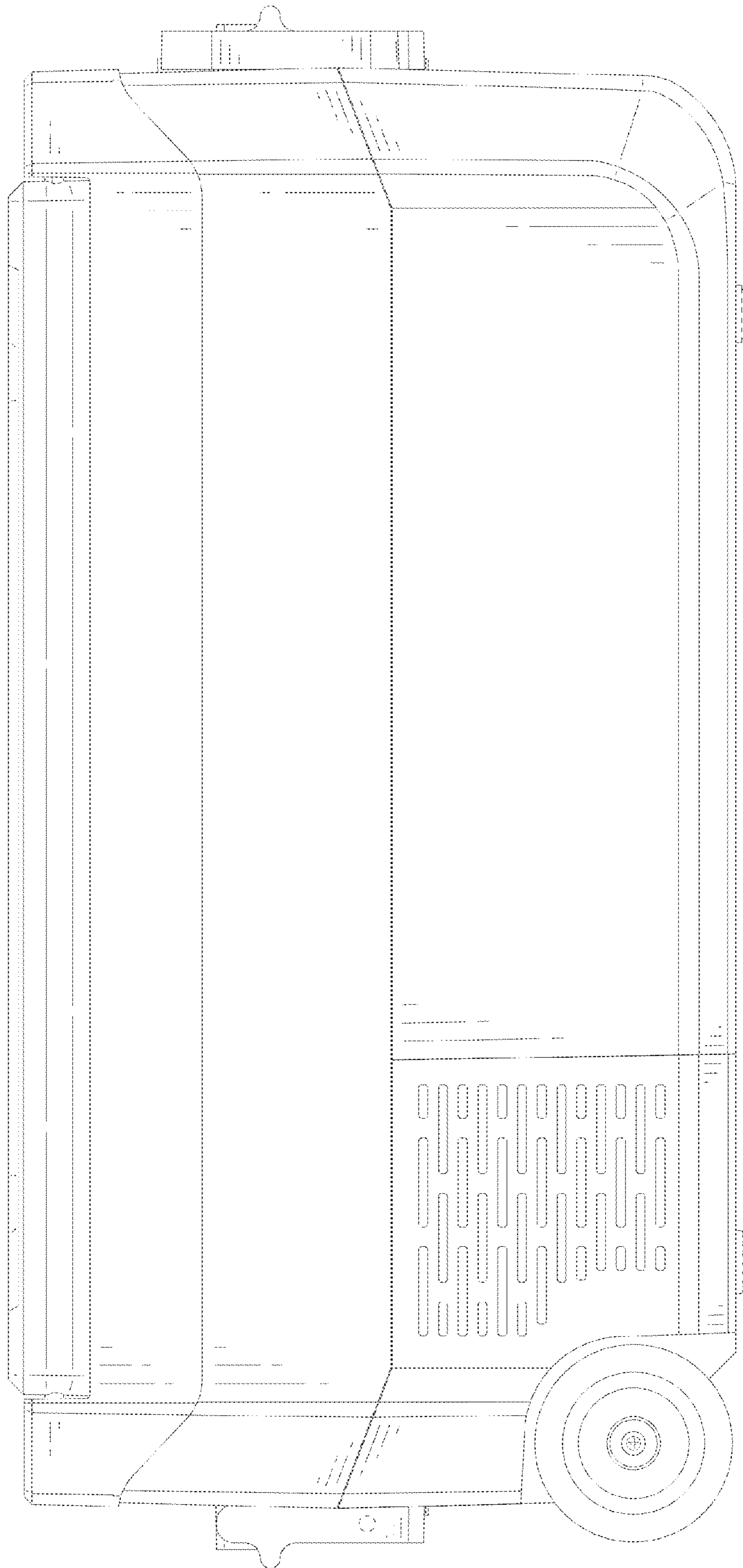


FIG. 4

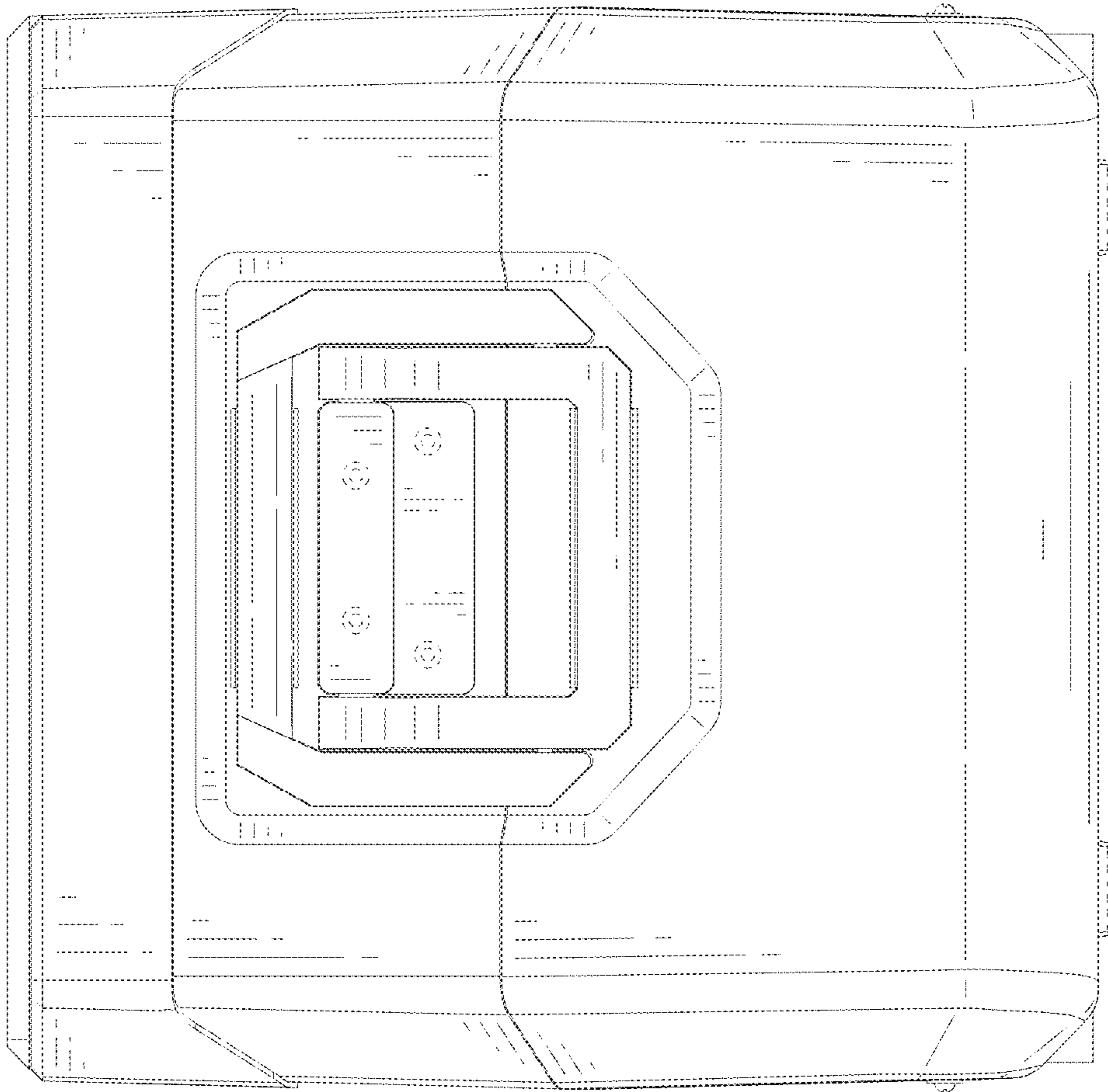


FIG. 5

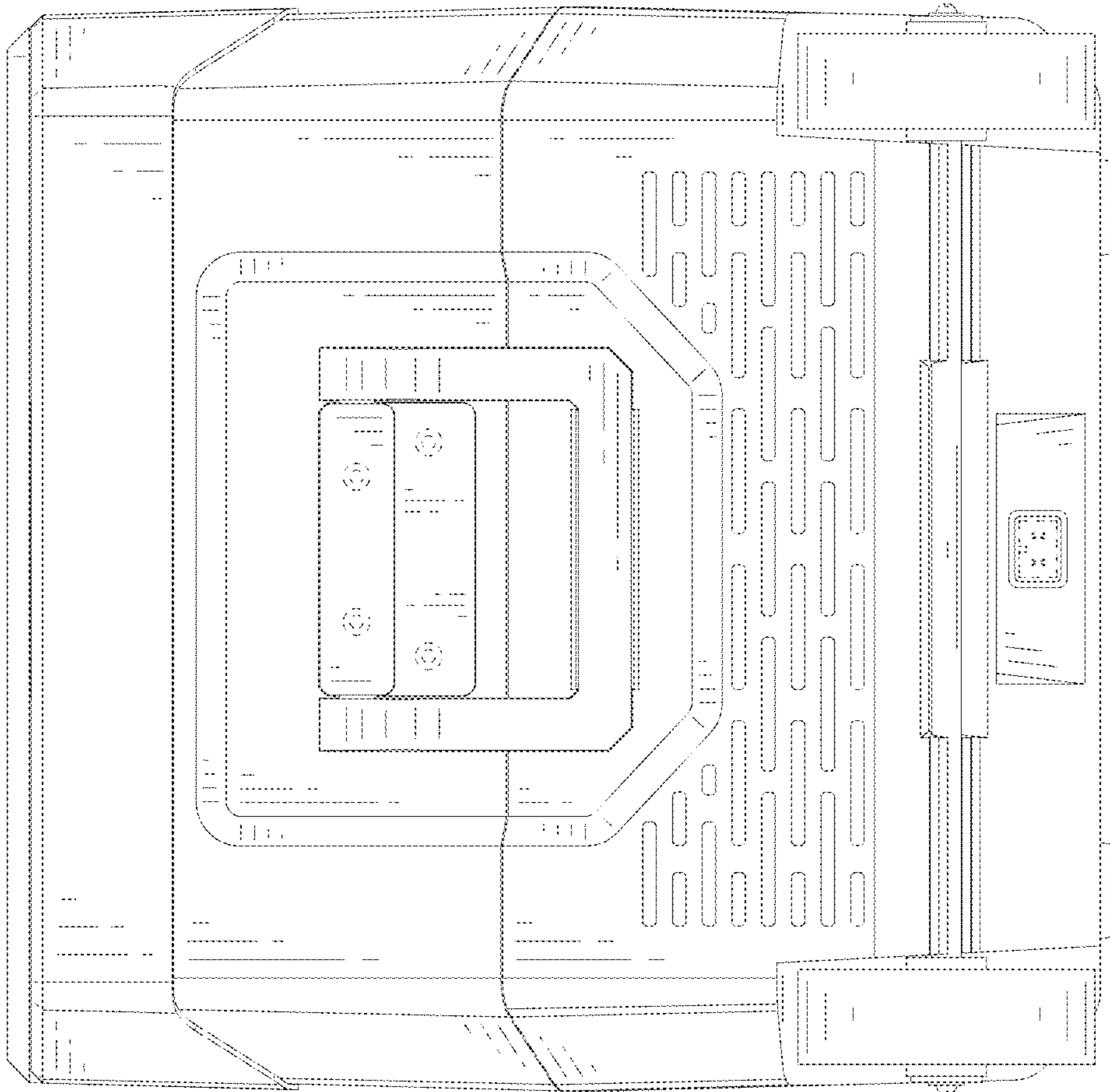


FIG. 6

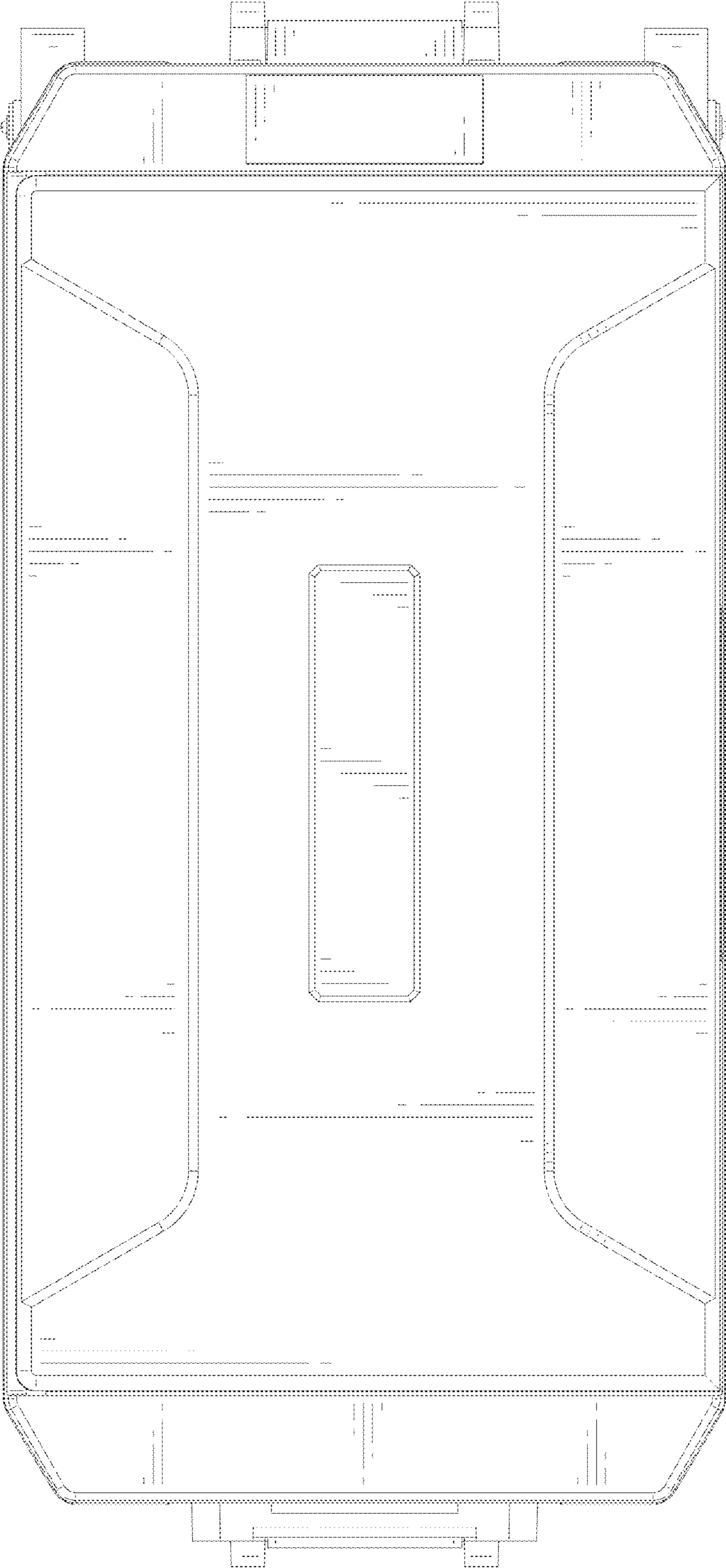


FIG. 7

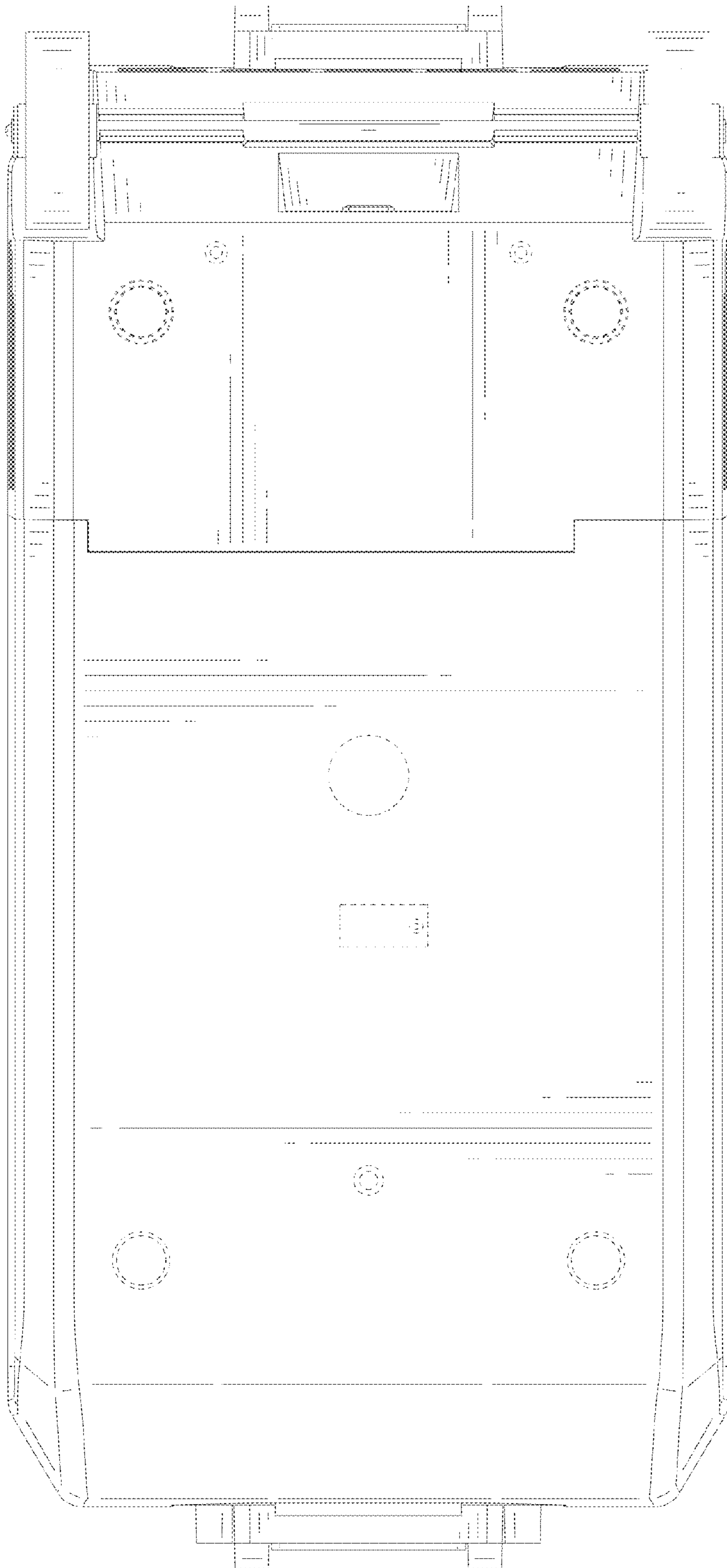


FIG. 8

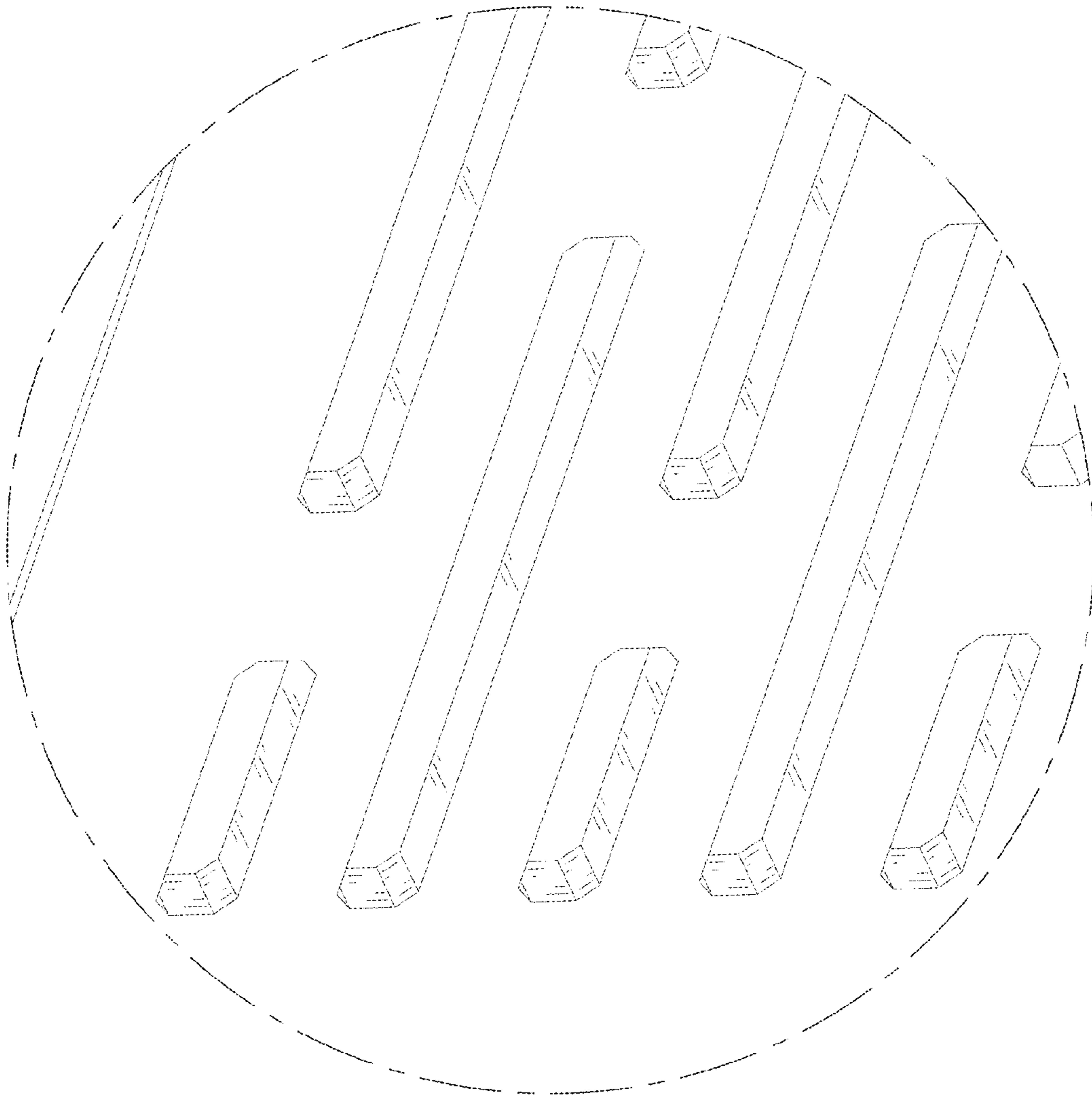


FIG. 9