



US00D961629S

(12) **United States Design Patent**  
**Zhao et al.**

(10) **Patent No.:** **US D961,629 S**  
(45) **Date of Patent:** **\*\* Aug. 23, 2022**

(54) **CAR FRIDGE**

(71) Applicant: **FOSHAN ALPICOOL ELECTRIC APPLIANCE CO., LTD.**, Foshan (CN)

(72) Inventors: **Pizhi Zhao**, Qingyuan (CN); **Junjie Qin**, Nanning (CN); **Tao Zeng**, Foshan (CN); **Shengming He**, Shaoguan (CN); **Jingcheng Chen**, Nanning (CN); **Jingrui Chen**, Shaoguan (CN)

(73) Assignee: **FOSHAN ALPICOOL ELECTRIC APPLIANCE CO., LTD.**, Foshan (CN)

(\*\*) Term: **15 Years**

(21) Appl. No.: **29/731,376**

(22) Filed: **Apr. 14, 2020**

(51) **LOC (13) Cl.** ..... **15-07**

(52) **U.S. Cl.**  
USPC ..... **D15/79**; D15/83

(58) **Field of Classification Search**  
USPC ..... D7/603, 604, 605, 606, 607, 608, 629;  
D3/272, 273, 274, 276, 279; D15/79, 80,  
D15/81, 83, 85; 62/911

(Continued)

(56) **References Cited**

**U.S. PATENT DOCUMENTS**

6,305,185 B1 \* 10/2001 Sloan ..... A45C 5/14  
62/235.1  
7,984,997 B1 \* 7/2011 Sandberg ..... F21S 9/03  
362/101

(Continued)

**FOREIGN PATENT DOCUMENTS**

CN 304780009 \* 8/2018  
CN 305836900 \* 6/2020

(Continued)

**OTHER PUBLICATIONS**

Bodega [online] URL: [https://www.amazon.com/BODEGA-Refrigerator-Portable-Quart \( 75L-Compressor/dp/B08D96HXH7](https://www.amazon.com/BODEGA-Refrigerator-Portable-Quart-(75L-Compressor/dp/B08D96HXH7)  
(site visited: Nov. 30, 2021) (Year: 2020).\*

(Continued)

*Primary Examiner* — Jae Liang  
*Assistant Examiner* — Tia Ruth-Renee Polidori  
(74) *Attorney, Agent, or Firm* — Georgi Korobanov

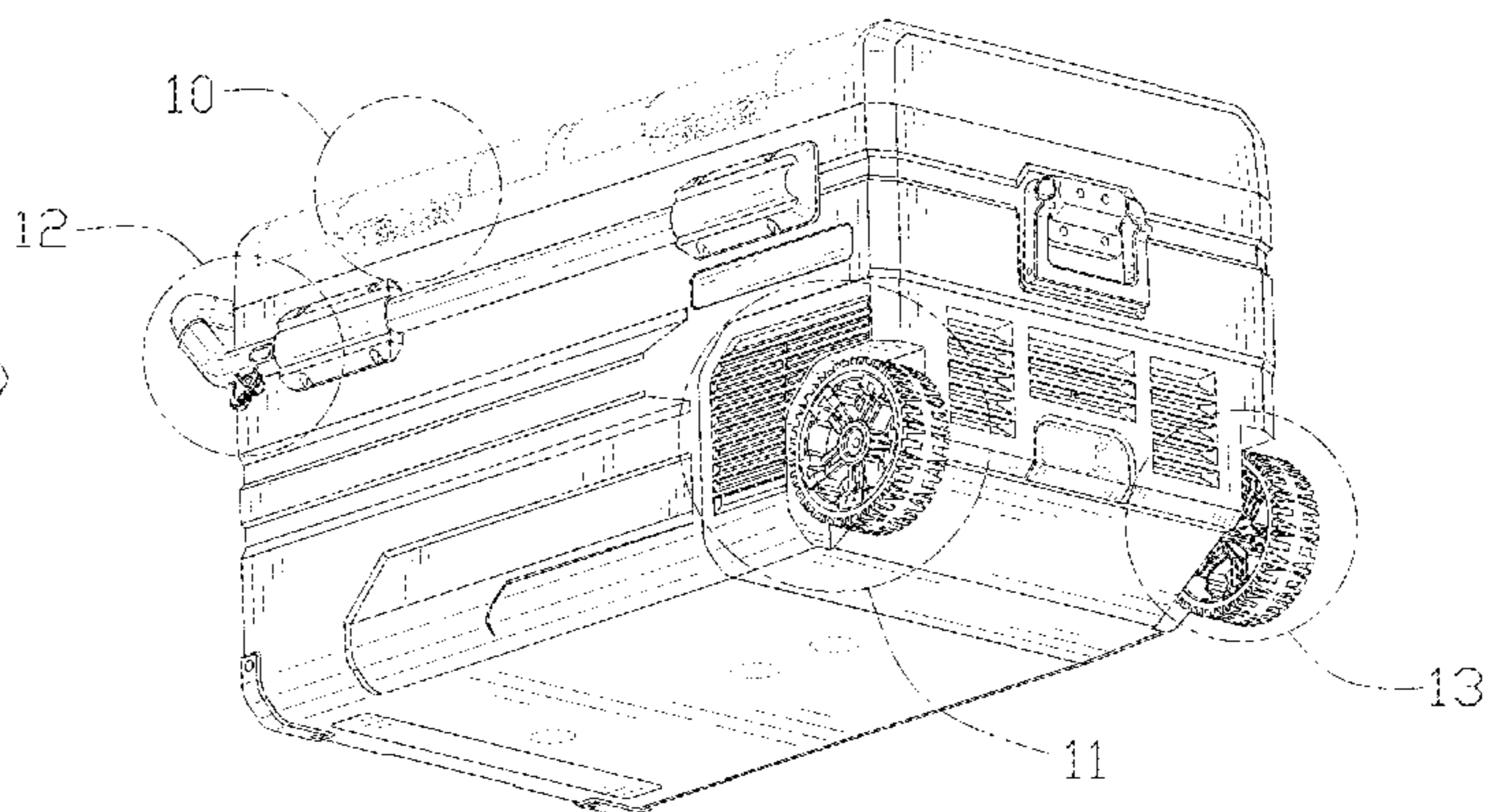
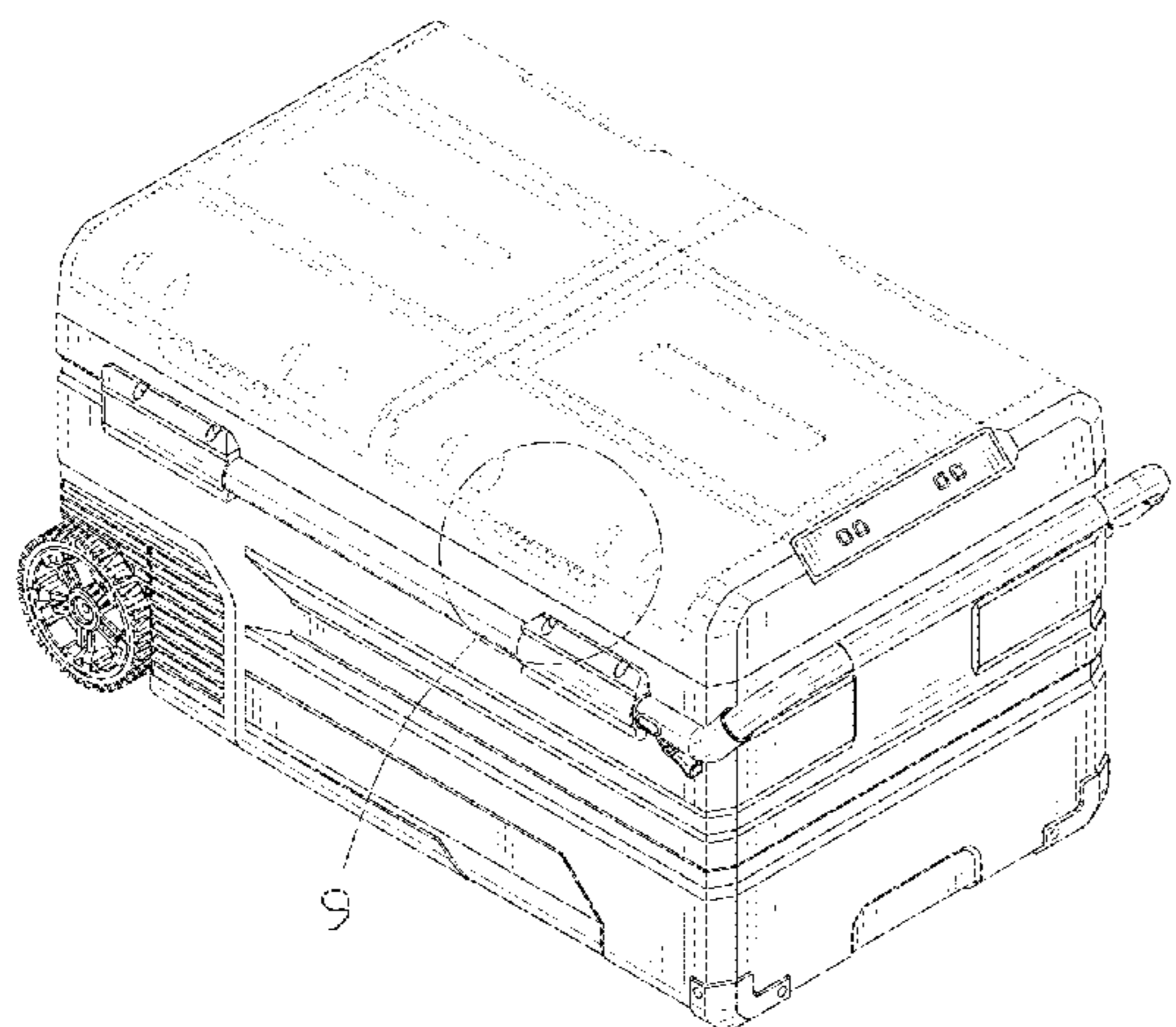
(57) **CLAIM**

The ornamental design for a car fridge, as shown and described.

**DESCRIPTION**

FIG. 1 is a perspective view of a car fridge showing our new design;  
FIG. 2 is another perspective view thereof;  
FIG. 3 is a front elevational view thereof;  
FIG. 4 is a rear elevational view thereof;  
FIG. 5 is a left side elevational view thereof;  
FIG. 6 is a right side elevational view thereof;  
FIG. 7 is a top plan view thereof;  
FIG. 8 is a bottom plan view thereof;  
FIG. 9 is an enlarged view of portion 9 shown in FIG. 1;  
FIG. 10 is an enlarged view of portion 10 shown in FIG. 2;  
FIG. 11 is an enlarged view of portion 11 shown in FIG. 2;  
FIG. 12 is an enlarged view of portion 12 shown in FIG. 2;  
and,  
FIG. 13 is an enlarged view of portion 13 shown in FIG. 2.  
The dash-dash broken lines in the drawings depict portions of the car fridge that form no part of the claimed design and the dot-dash broken lines in the drawings depict partial view indicia that forms no part of the claimed design.

**1 Claim, 13 Drawing Sheets**



(58) **Field of Classification Search**

CPC ..... F25C 2400/10; G05B 2219/2654; A45C 11/20; A45C 9/00; A45C 5/14; F25D 3/06; F25D 3/107; F25D 2400/12; F25D 2400/38; F25D 31/005; F25D 11/003; F25D 11/006; F25D 23/003; F25D 2323/00277; F25D 2201/10; B65D 81/3813; B65D 81/3818; F25B 19/00

See application file for complete search history.

(56) **References Cited**

U.S. PATENT DOCUMENTS

8,256,242 B1 \* 9/2012 Evans ..... A45C 11/20  
62/457.7  
8,479,947 B1 \* 7/2013 Albrecht, II ..... A45C 11/20  
220/592.02  
9,476,638 B1 \* 10/2016 Tyler ..... F25D 3/06  
D786,022 S \* 5/2017 Ravenscraft, Jr. .... D7/605  
9,671,158 B1 \* 6/2017 Sandberg ..... F25D 27/00  
9,726,424 B1 \* 8/2017 Sandberg ..... F21V 23/0414  
D815,922 S \* 4/2018 Moffett, III ..... D7/608  
D873,085 S \* 1/2020 DeFrancia ..... D7/605  
10,731,919 B1 \* 8/2020 Gutierrez ..... F25D 27/005  
D917,977 S \* 5/2021 Brunner ..... D7/605  
D929,471 S \* 8/2021 Meda ..... D15/79  
D946,635 S \* 3/2022 Deng ..... D15/79  
2005/0081558 A1 \* 4/2005 Yoshida ..... F25D 11/003  
62/457.9  
2006/0279052 A1 \* 12/2006 Marmah ..... A47C 1/14  
280/47.26  
2007/0028642 A1 \* 2/2007 Glade ..... F25D 3/06  
62/371  
2008/0001373 A1 \* 1/2008 Vaughn ..... B60B 35/10  
280/47.26  
2009/0217699 A1 \* 9/2009 Ball ..... A45C 11/20  
62/457.7  
2009/0260546 A1 \* 10/2009 George ..... A45C 11/20  
108/26  
2010/0263398 A1 \* 10/2010 Webb ..... F25D 3/08  
62/331  
2012/0228074 A1 \* 9/2012 Osler ..... A45C 7/0045  
190/18 A  
2012/0318177 A1 \* 12/2012 Piazza, Jr. .... A45C 9/00  
108/14

2016/0025400 A1 \* 1/2016 Van Wuffen ..... A23L 3/364  
426/418  
2017/0027386 A1 \* 2/2017 Bungard ..... A47J 41/0055  
2017/0043906 A1 \* 2/2017 Ravenscraft, Jr. .... B62B 1/10  
2017/0314845 A1 \* 11/2017 Tang ..... H04R 1/2807  
2018/0009588 A1 \* 1/2018 Grogan ..... F25B 21/04  
2018/0100682 A1 \* 4/2018 Nilsen ..... F25D 16/00  
2018/0141718 A1 \* 5/2018 Ahlstrom ..... B65D 25/2841  
2018/0149400 A1 \* 5/2018 Valencia ..... F25D 3/06  
2018/0161975 A1 \* 6/2018 Brunner ..... B25H 3/02  
2018/0194533 A1 \* 7/2018 Bramwell ..... A61D 7/00  
2018/0238607 A1 \* 8/2018 Lagasse ..... F25D 3/06  
2019/0330041 A1 \* 10/2019 Fire ..... F25D 3/06  
2020/0062454 A1 \* 2/2020 Duong ..... B65D 25/2841  
2020/0187615 A1 \* 6/2020 Hockaday, Jr. .... A45C 5/14  
2020/0196725 A1 \* 6/2020 Tonelli ..... A45C 13/26  
2021/0016923 A1 \* 1/2021 Downie ..... B65D 81/3813  
2021/0229893 A1 \* 7/2021 Maldonado ..... B65D 43/22  
2021/0284426 A1 \* 9/2021 Kalajyan ..... B65D 45/00  
2021/0285710 A1 \* 9/2021 Barros ..... F25D 3/06  
2021/0285716 A1 \* 9/2021 Kalajyan ..... B65D 25/2841

FOREIGN PATENT DOCUMENTS

CN	305836901	*	6/2020
CN	306273735	*	1/2021
CN	306522275	*	5/2021
CN	306885973	*	10/2021
CN	306893932	*	10/2021
CN	306979521	*	12/2021
CN	307054808	*	1/2022
GB	6186506	*	1/2022

OTHER PUBLICATIONS

NewAir [online] URL: <https://www.amazon.com/NewAir-Portable-Protection-Retractable-Construction/dp/B08PJ319M1> (site visited: Nov. 30, 2021) (Year: 2020).\*

E Euhomy [online] URL: <https://www.amazon.com/dp/B0969YTZ5R> (site visited: Nov. 30, 2021) (Year: 2021).\*

BougeRV [online] URL: <https://www.amazon.com/BougeRV-Refrigerator-Portable-Compressor-110-240V/dp/B091SJTWP5> (site visited: Apr. 22, 2022) (Year: 2022).\*

DT PRO [online] URL: <https://www.amazon.com/dp/B08V21MFCX> (site visited: Apr. 22, 2022) (Year: 2021).\*

\* cited by examiner

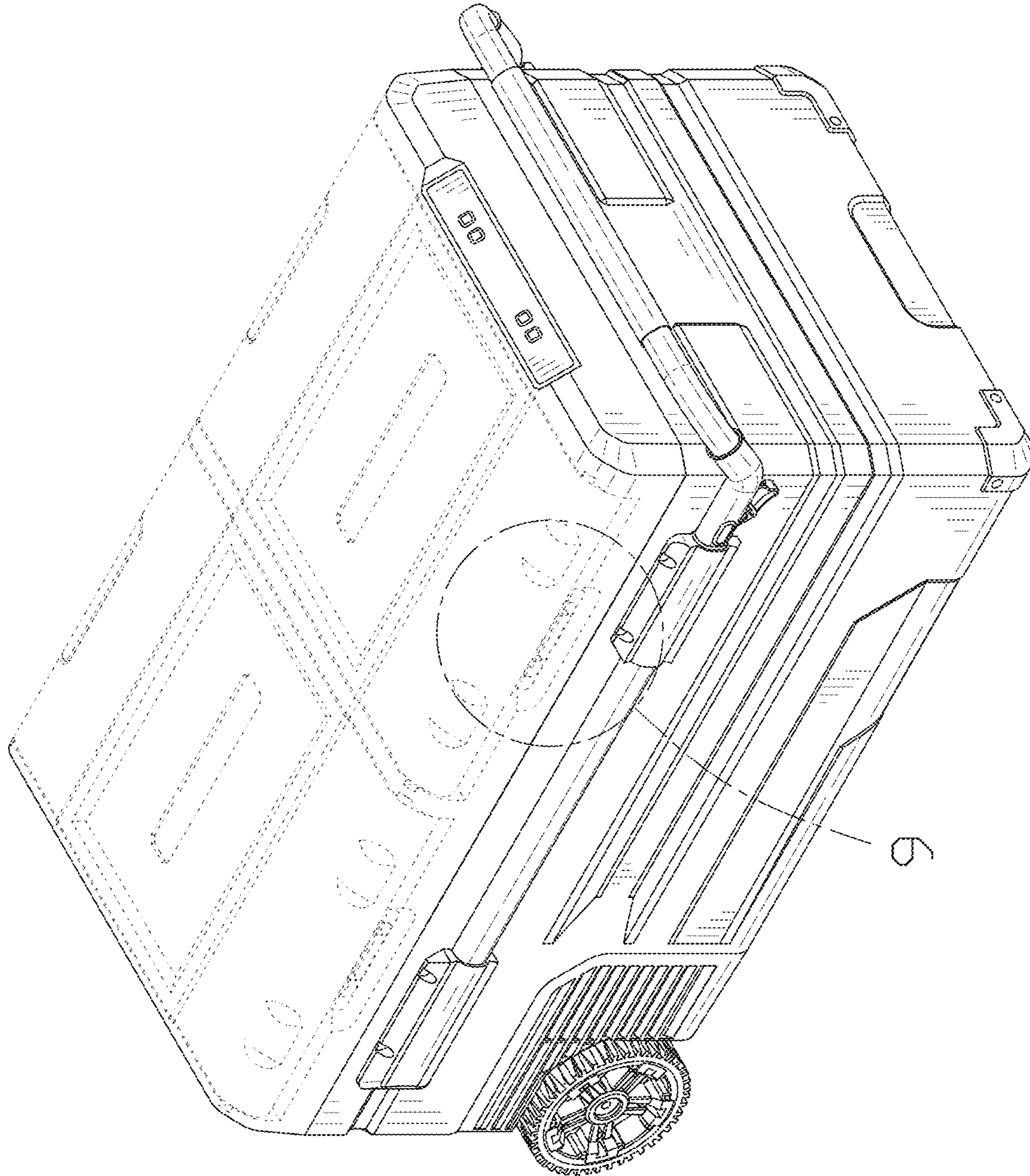


FIG. 1

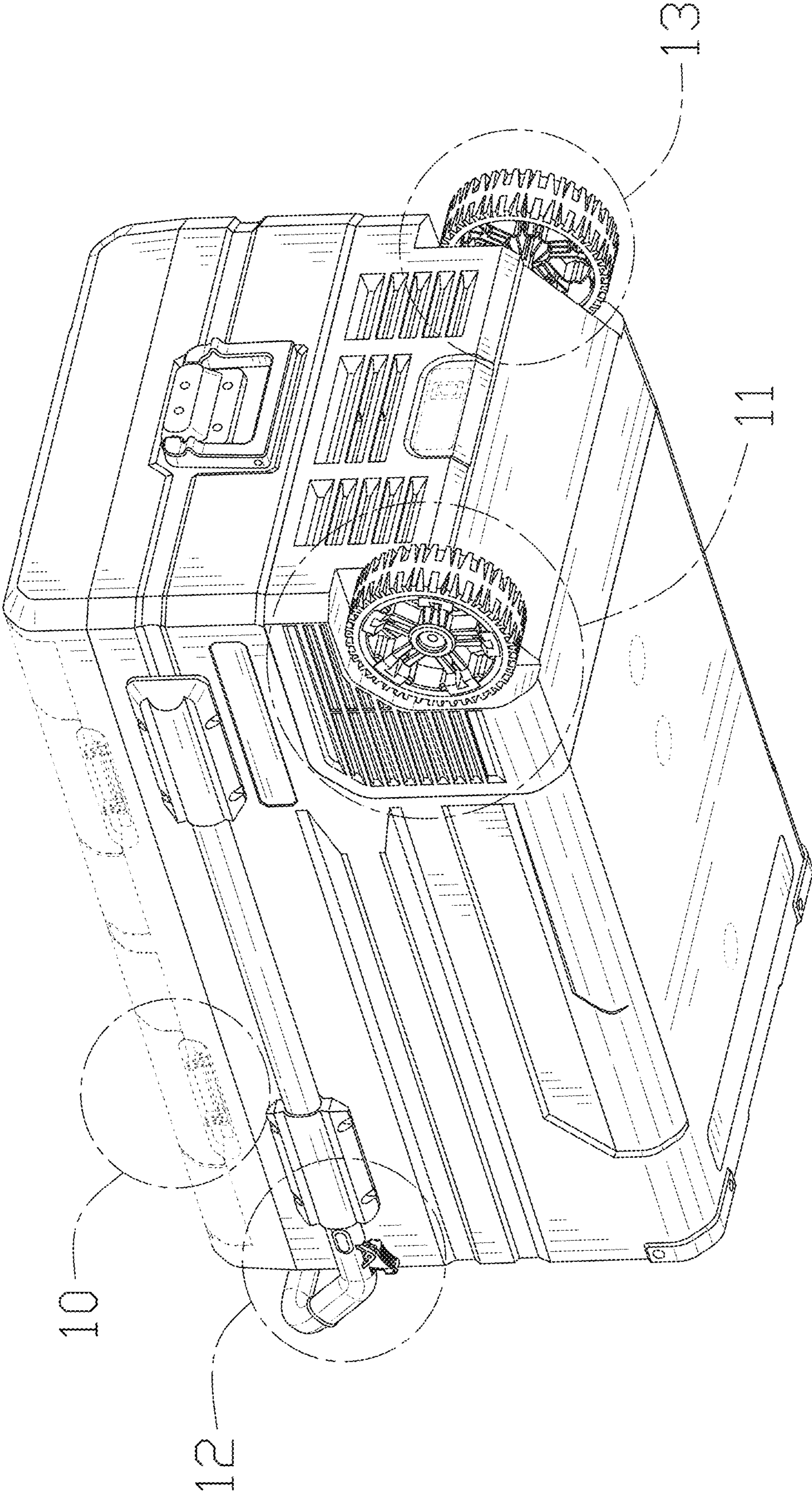


FIG. 2

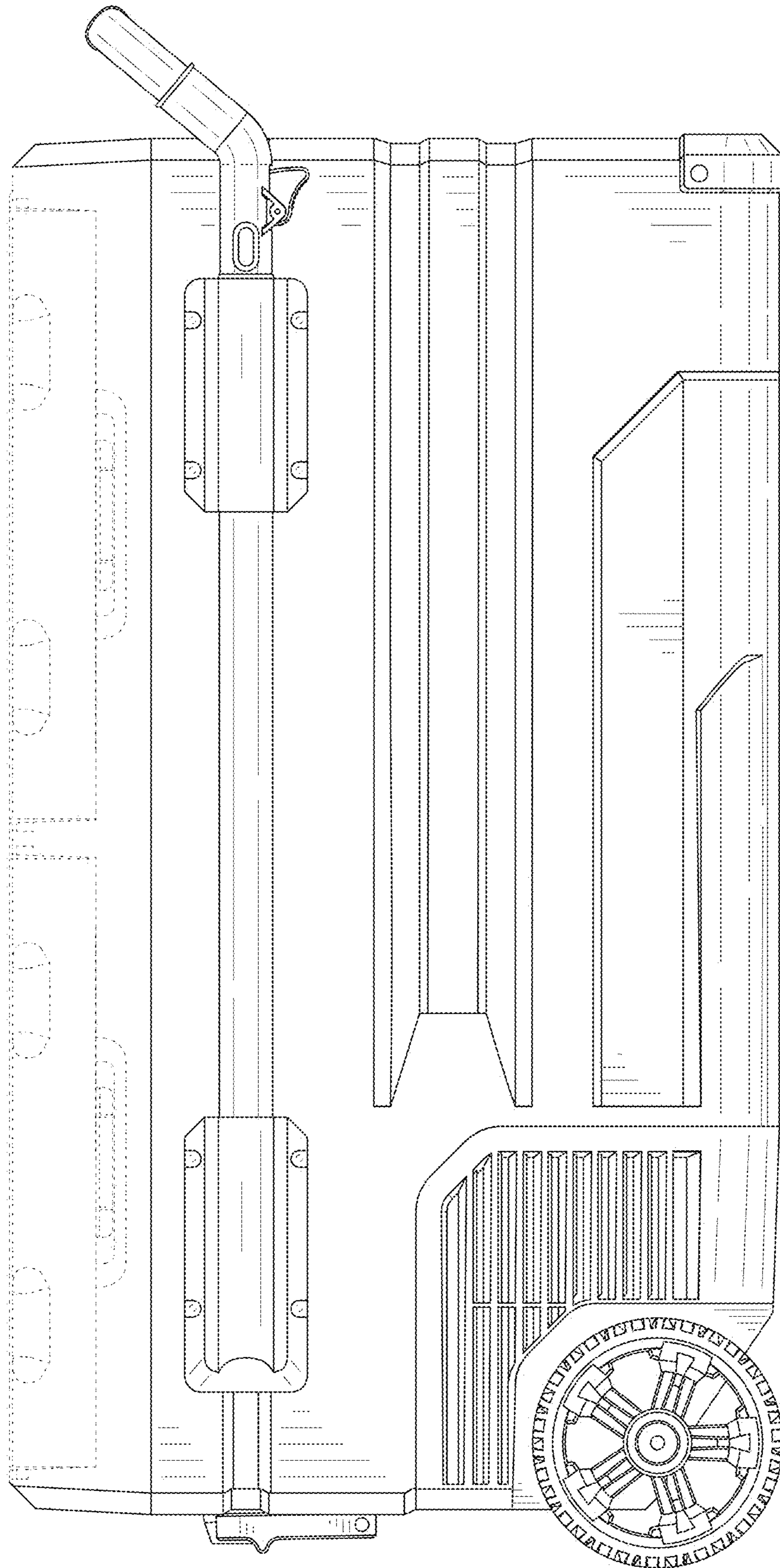


FIG. 3

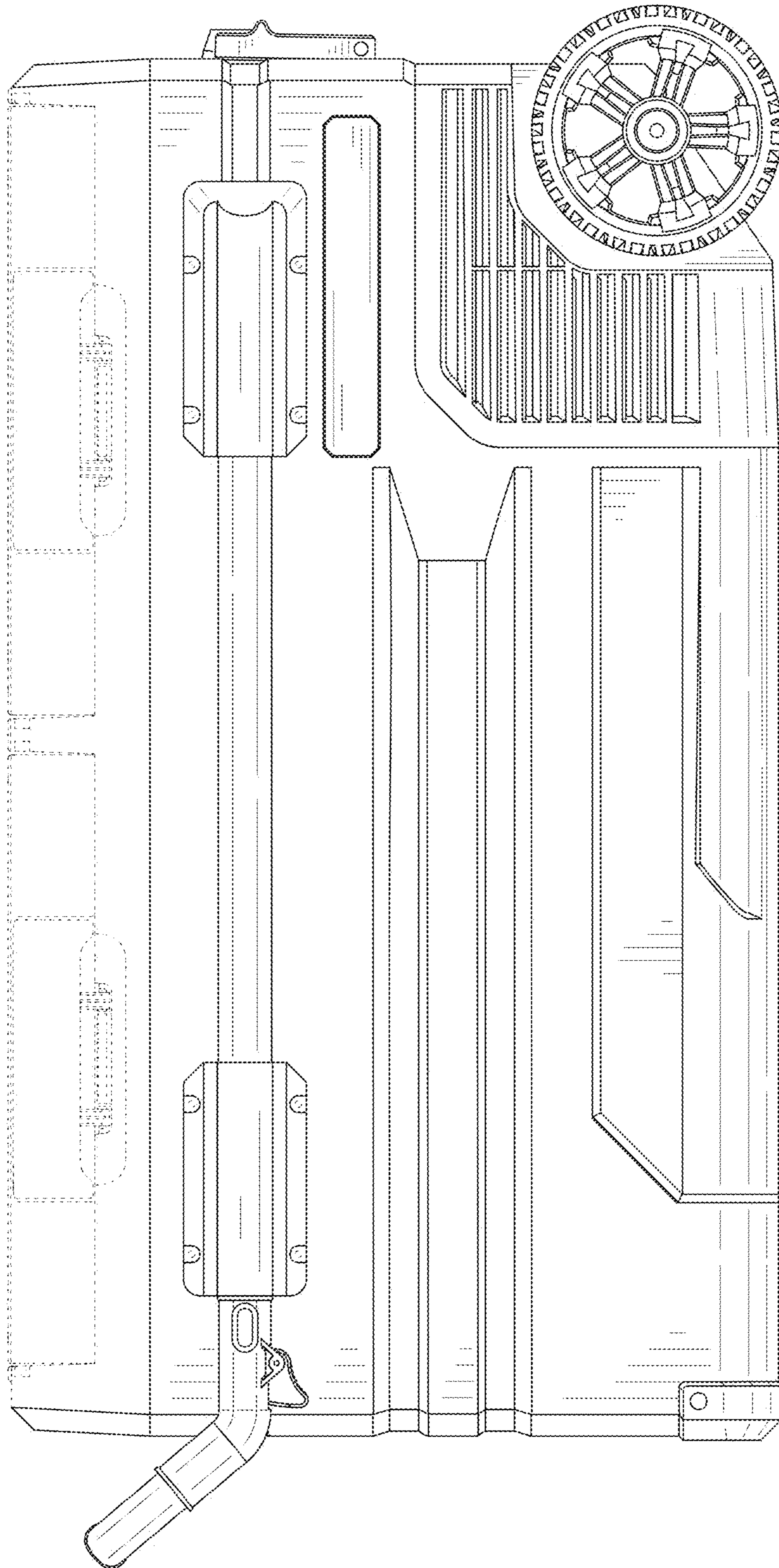


FIG. 4

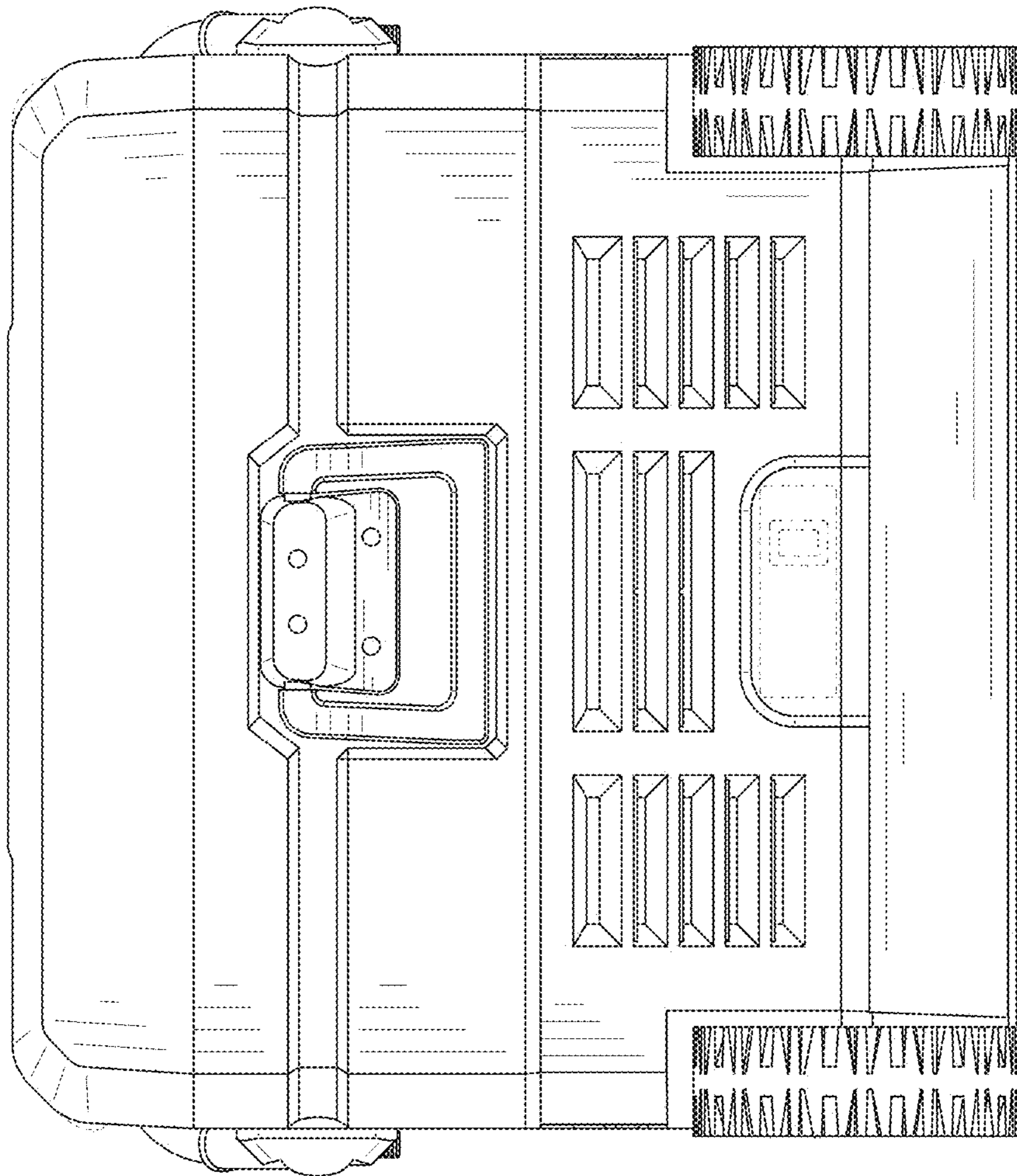


FIG. 5

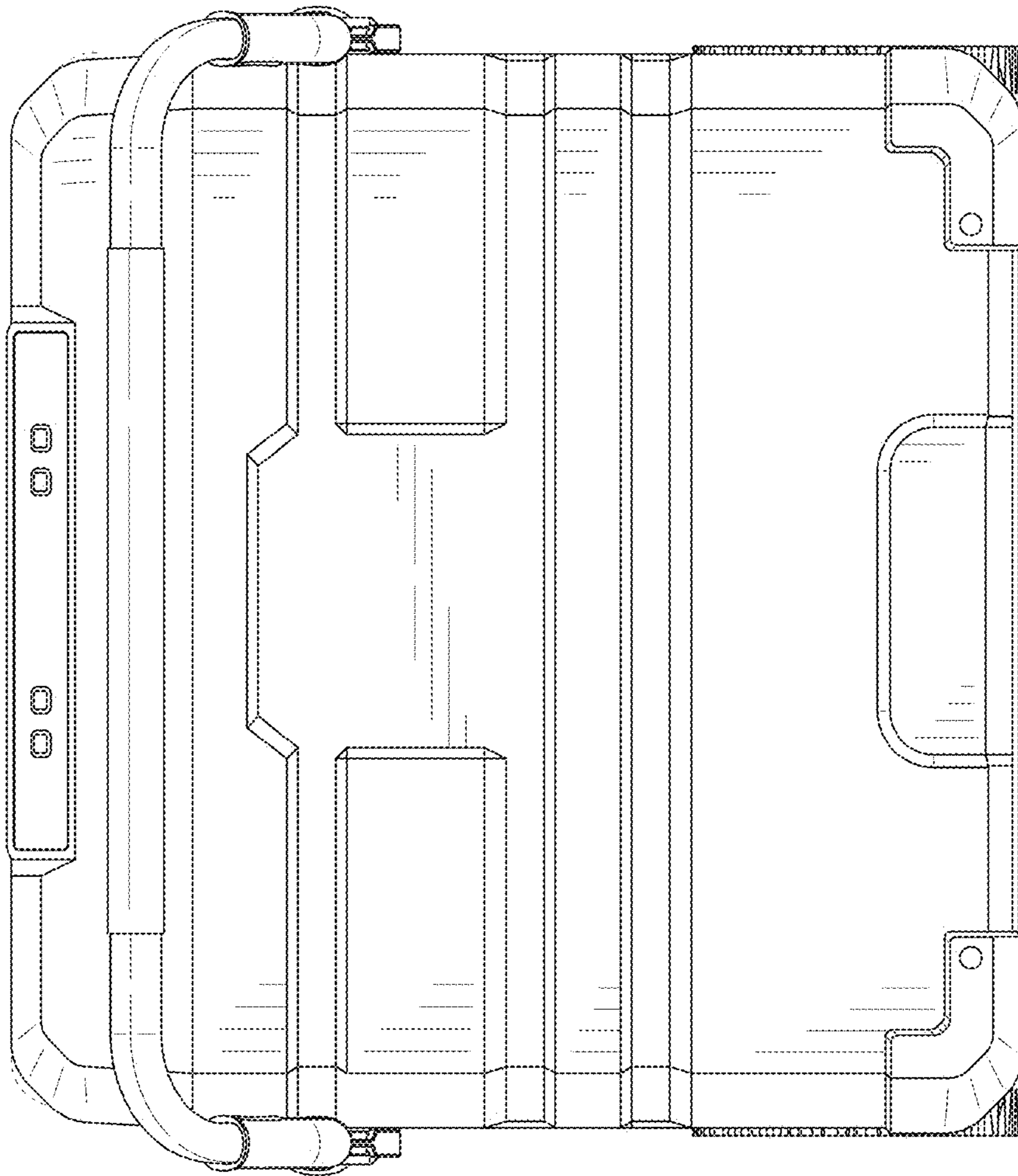


FIG. 6



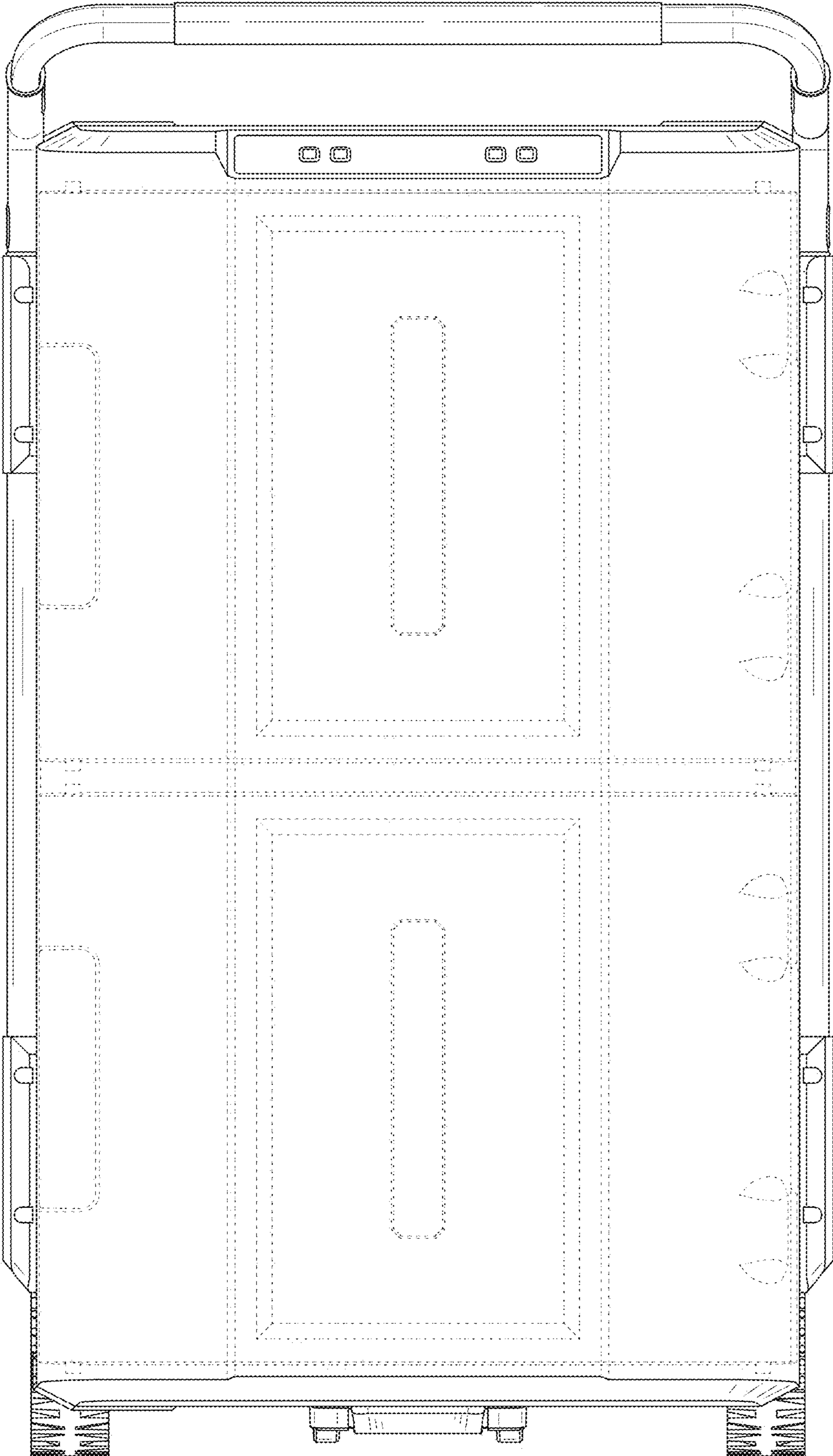


FIG. 7

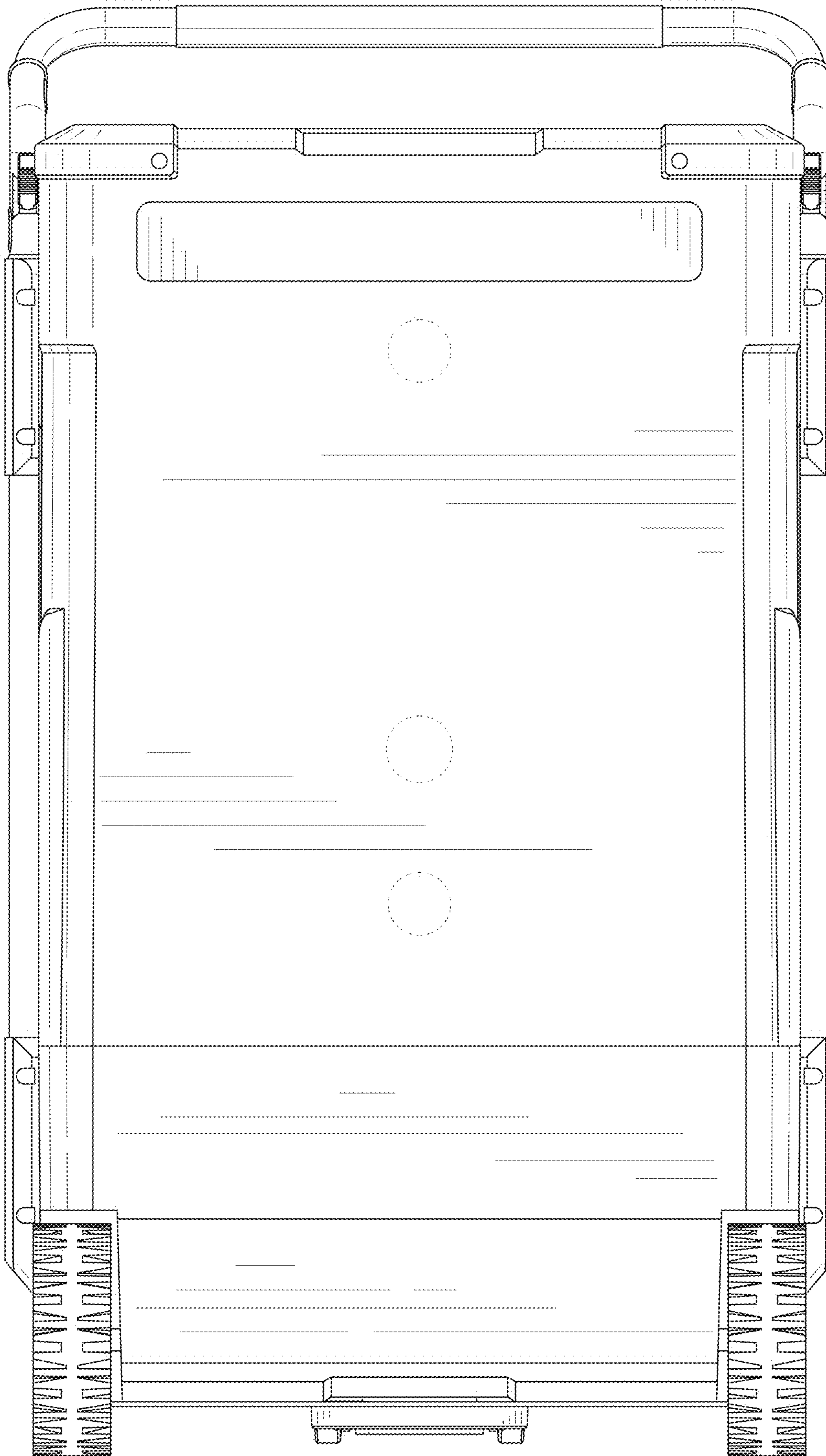


FIG. 8

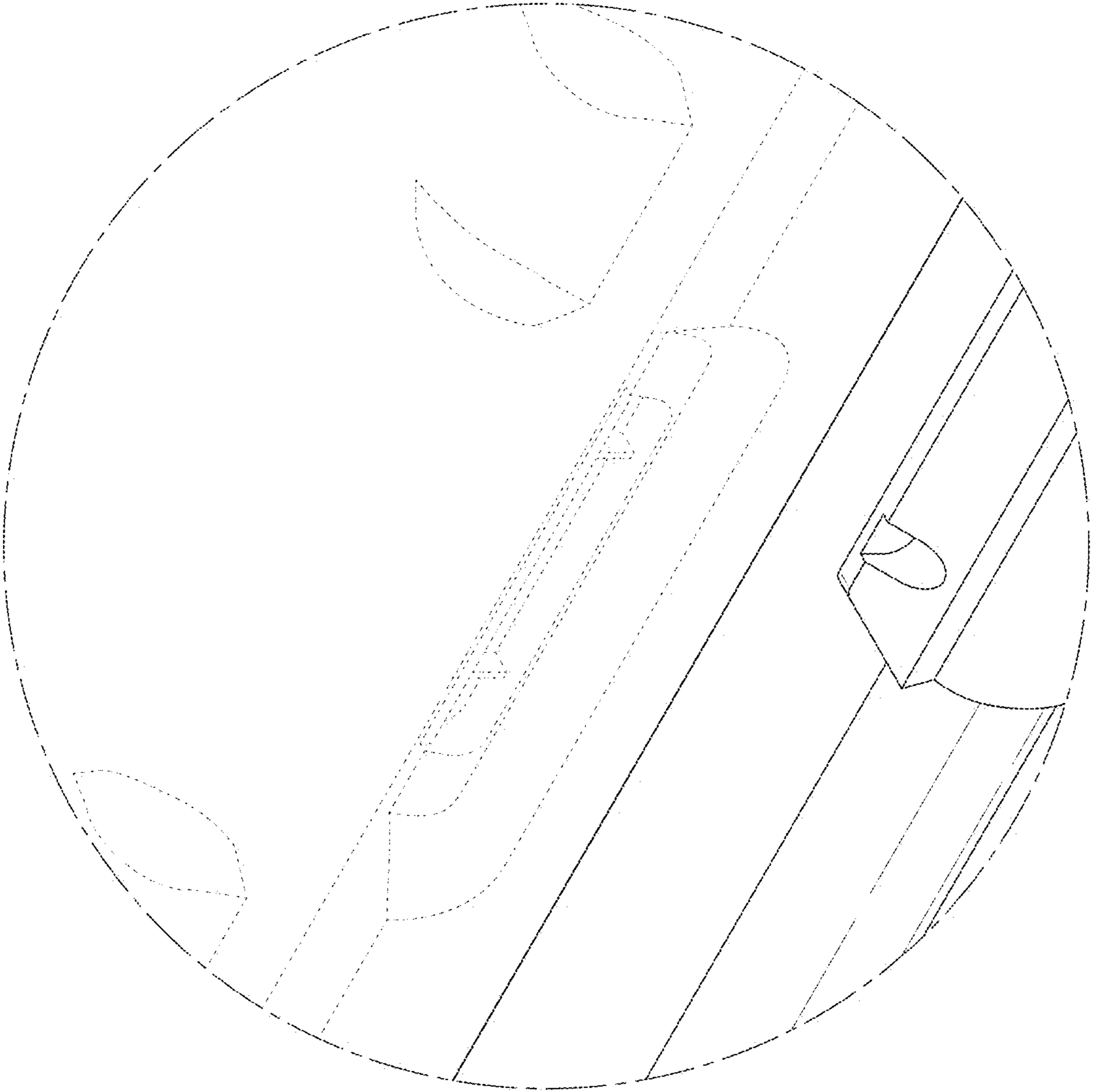


FIG. 9

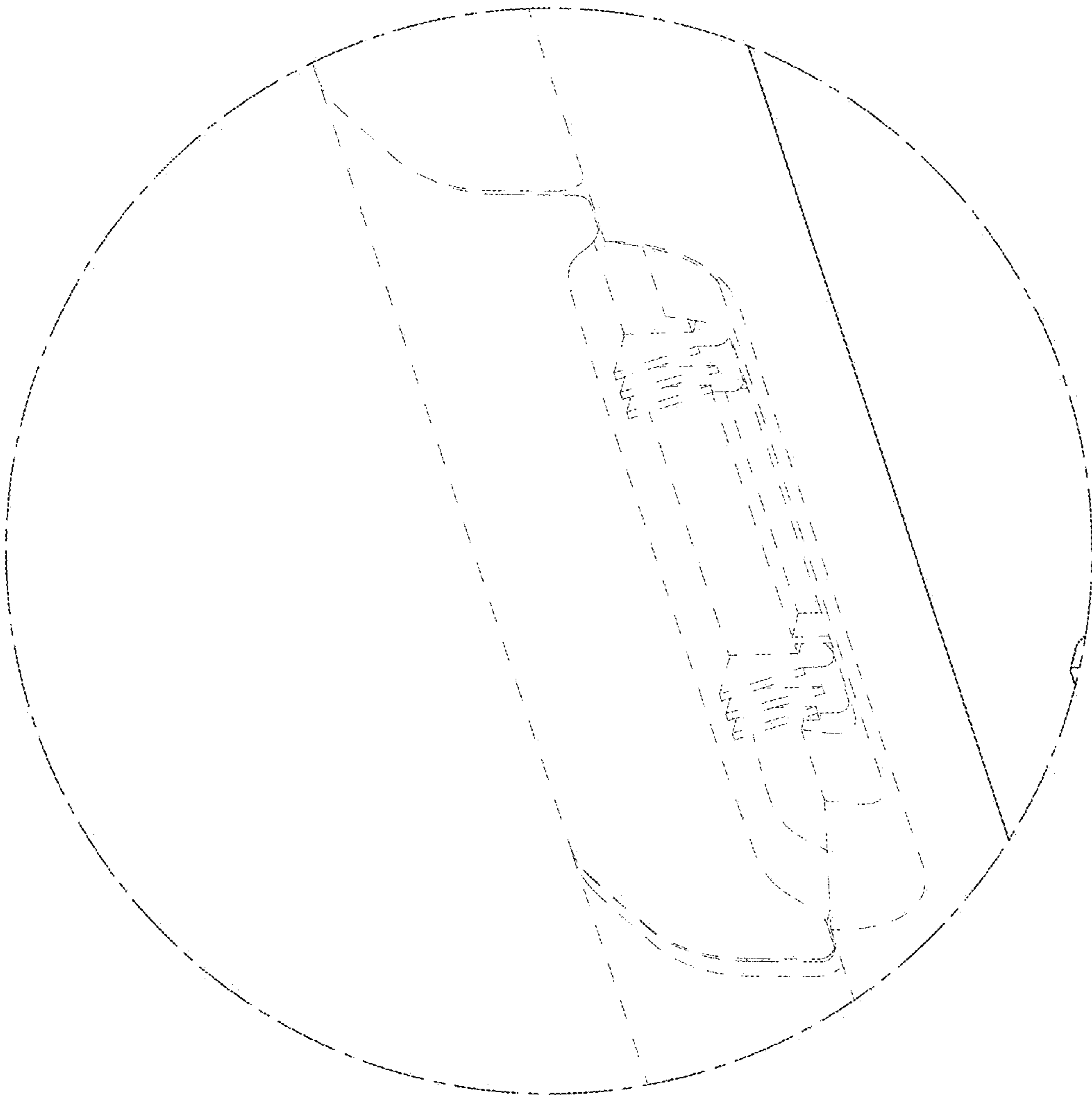


FIG. 10

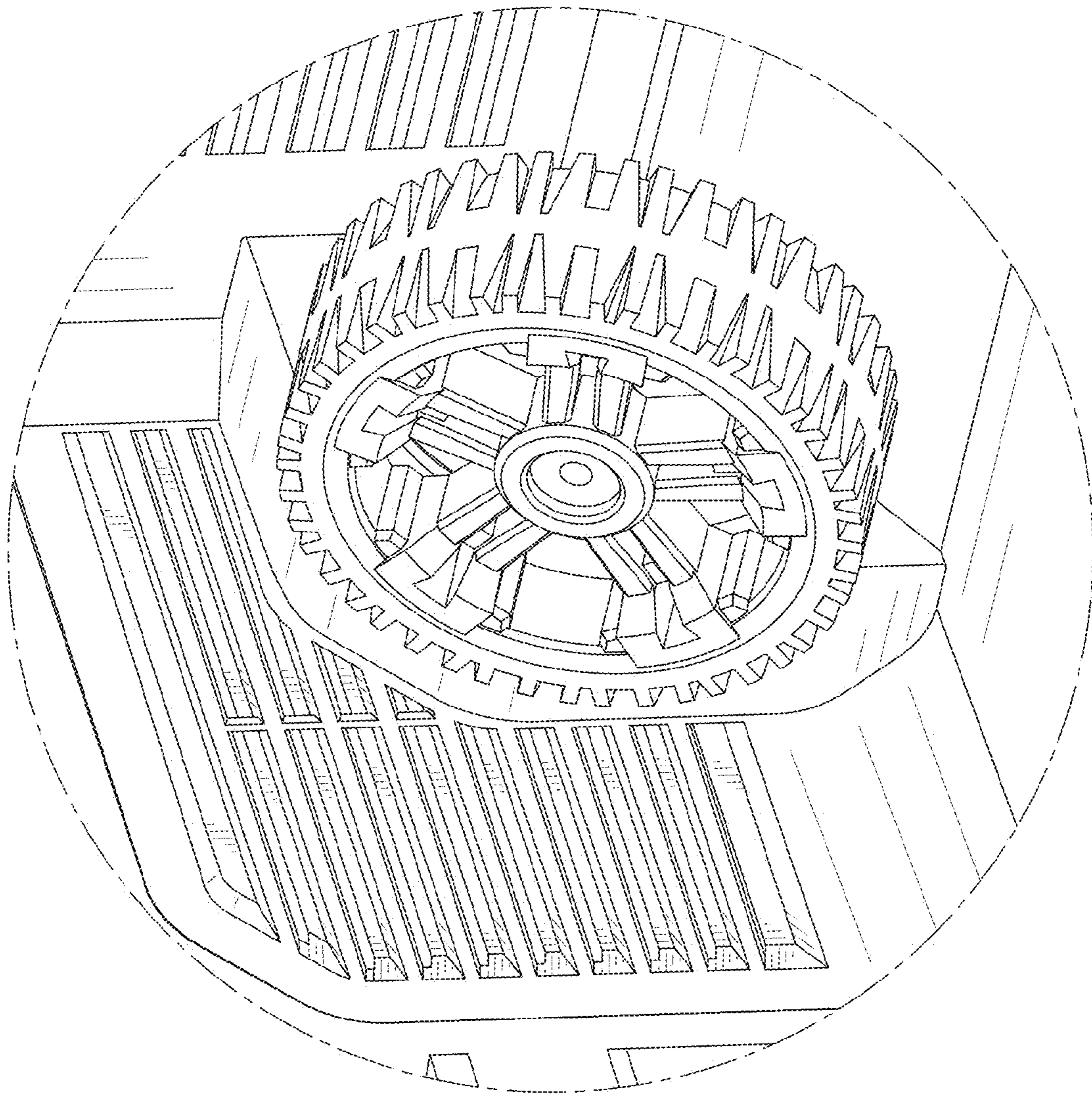


FIG. 11

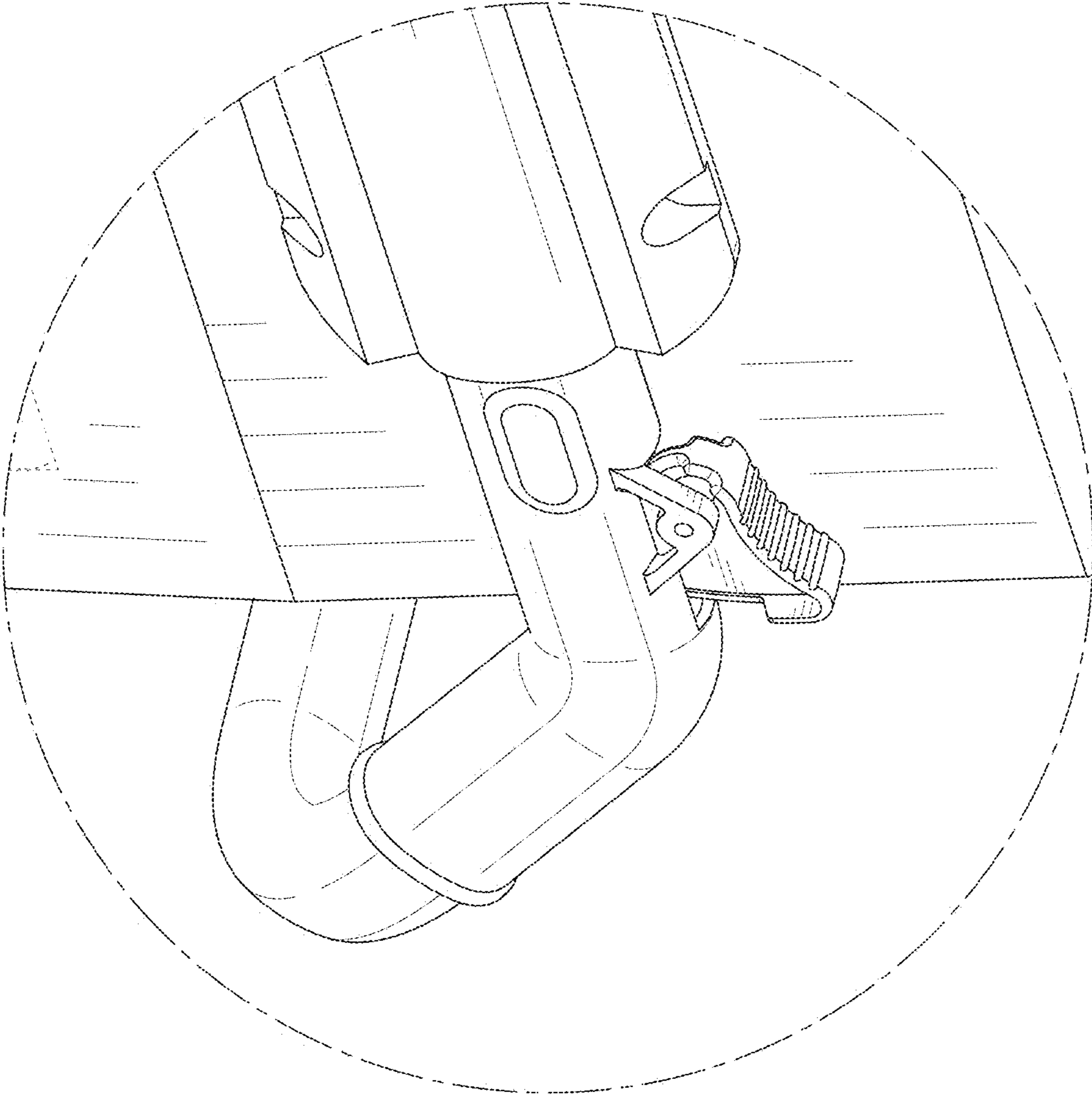


FIG. 12

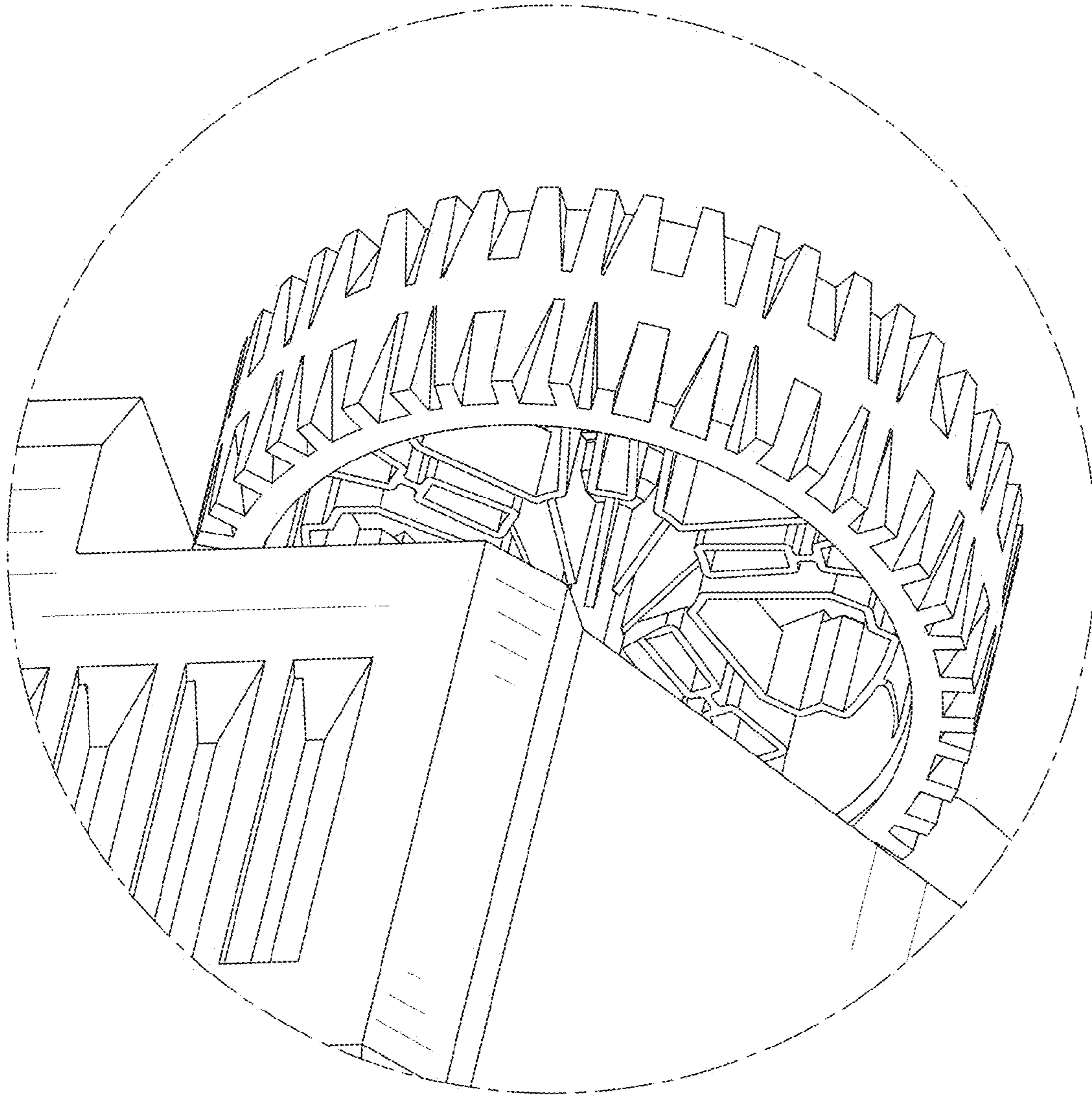


FIG. 13