



US00D961628S

(12) **United States Design Patent** (10) **Patent No.:** **US D961,628 S**
Lonati et al. (45) **Date of Patent:** **** Aug. 23, 2022**

- (54) **TEXTILE MACHINE**
- (71) Applicant: **SANTONI S.P.A.**, Brescia (IT)
- (72) Inventors: **Ettore Lonati**, Botticino (IT); **Fausto Lonati**, Brescia (IT); **Andrea Lonati**, Bescia (IT)
- (73) Assignee: **SANTONI S.P.A.**, Brescia (IT)
- (**) Term: **15 Years**
- (21) Appl. No.: **29/717,578**
- (22) Filed: **Dec. 18, 2019**
- (30) **Foreign Application Priority Data**
 Jun. 18, 2019 (EM) 006583290-0005
- (51) **LOC (13) Cl.** **15-06**
- (52) **U.S. Cl.**
USPC **D15/66**; D15/72
- (58) **Field of Classification Search**
USPC D15/66-78; 66/8, 151, 108 R, 17, 178 R,
66/57, 104, 125 R, 20, 64, 13, 132 R, 14,
66/140 S, 145 R, 148, 149 R, 153, 222;
D3/29
CPC . D04B 13/00; D04B 13/02; D04B 9/00-9/58;
D04B 15/06; D04B 15/14; D04B 15/88;
D04B 15/94; D05B 1/00-25/00; D03D
49/12; D03D 49/16
See application file for complete search history.

- (56) **References Cited**
U.S. PATENT DOCUMENTS
 5,070,709 A * 12/1991 Guell D04B 15/60
66/140 R
 5,237,841 A * 8/1993 Lonati D04B 15/60
66/139
 5,251,463 A * 10/1993 Lonati D04B 15/58
66/140 R

- 7,992,415 B2 * 8/2011 Lonati D04B 27/24
66/207
- D771,153 S * 11/2016 Lonati D15/66
- D771,154 S * 11/2016 Lonati D15/78
- D771,156 S * 11/2016 Lonati D04B 15/322
D15/78

(Continued)

FOREIGN PATENT DOCUMENTS

- CN 300781811 * 5/2008 D04B 15/80
- CN 302551640 * 8/2013

(Continued)

OTHER PUBLICATIONS

Yarn Tension Unit Singer Chunky Knitter, Ebay [online, available Jul. 13, 2021] Date of production 1980, URL: <https://www.ebay.com/itm/224395305052> (Year: 1980).*

(Continued)

Primary Examiner — Jae Liang
Assistant Examiner — Tia Ruth-Renee Polidori
(74) *Attorney, Agent, or Firm* — MH2 Technology Law Group LLP

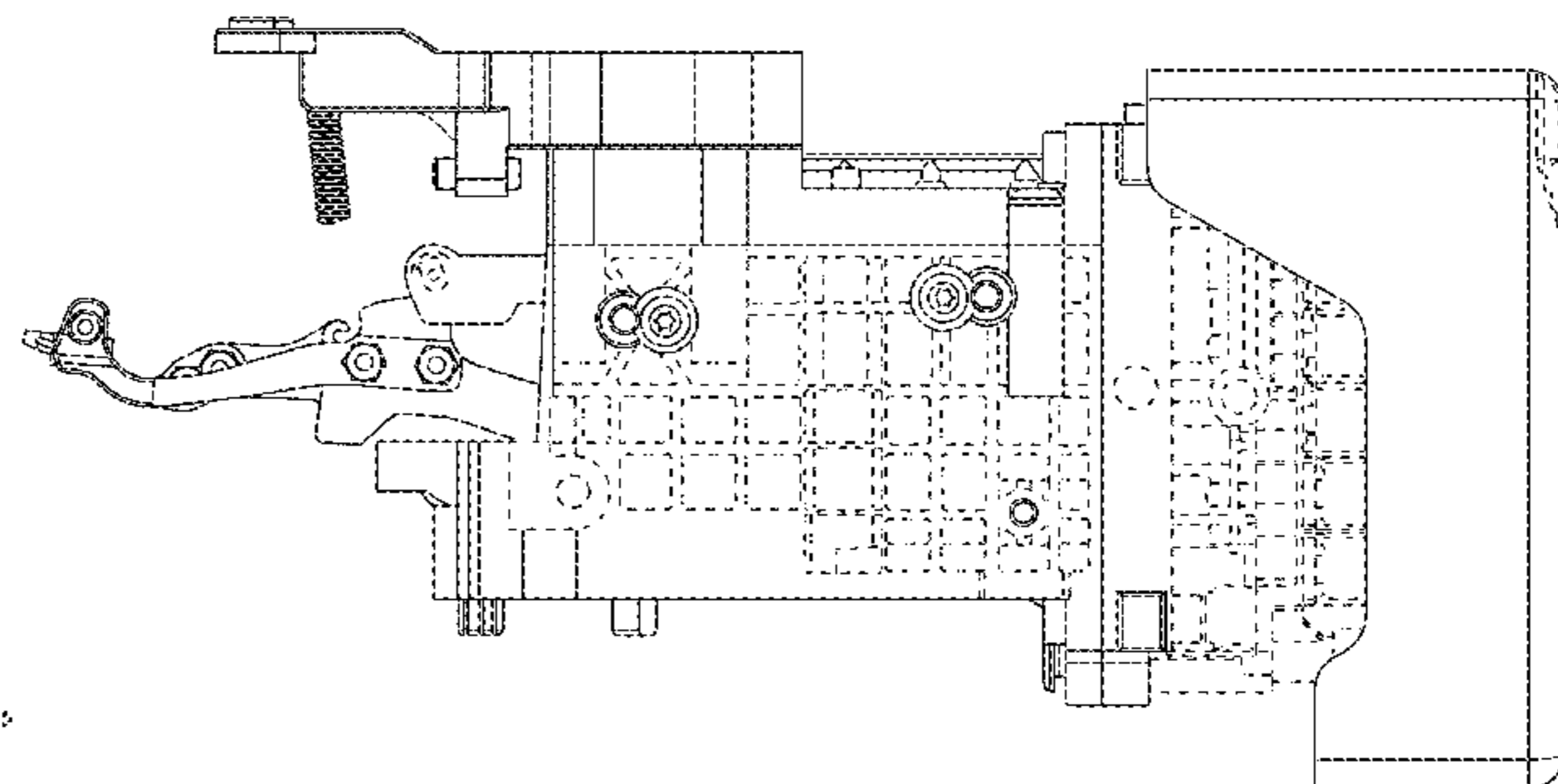
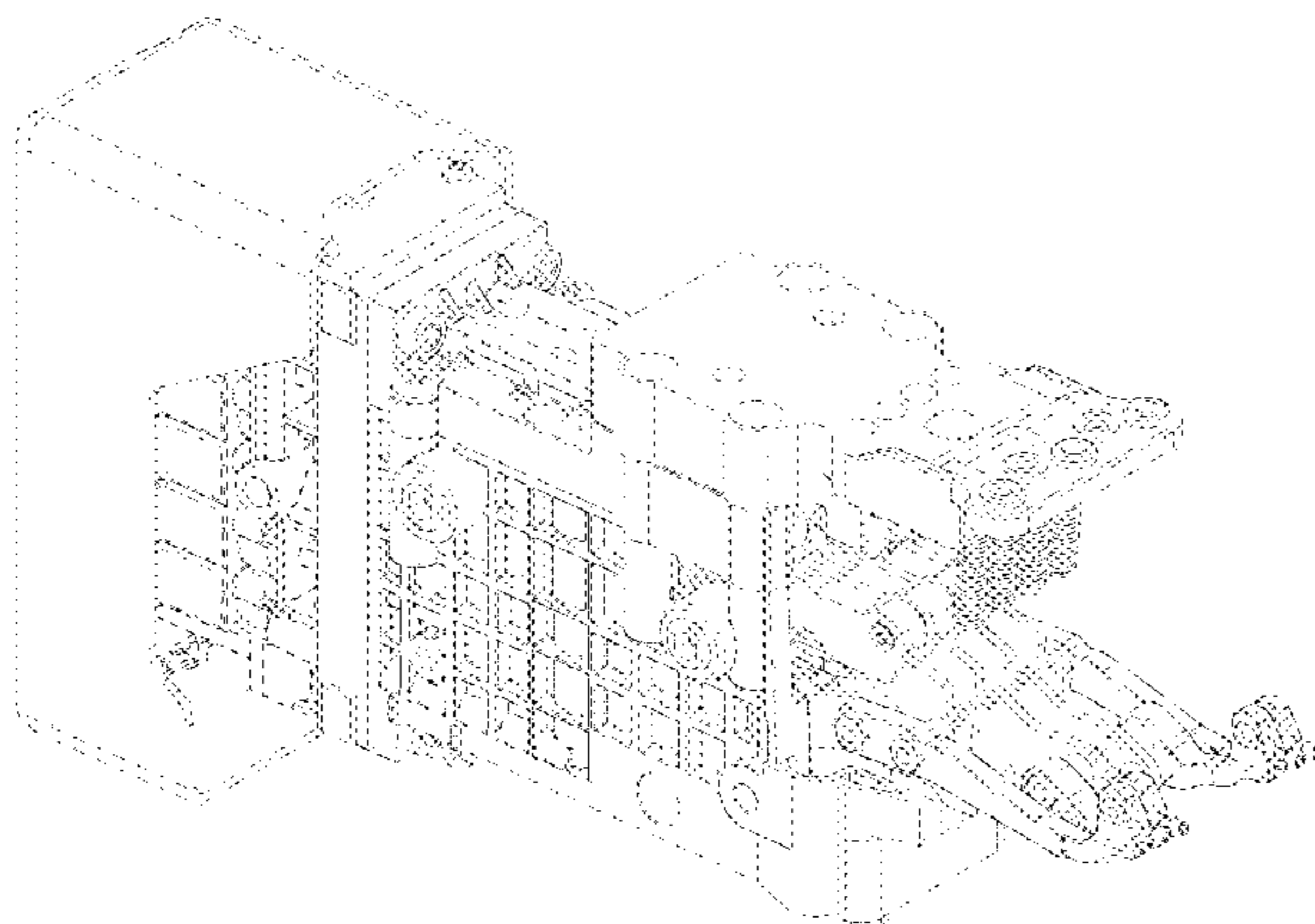
(57) **CLAIM**

The ornamental design for a textile machine, as shown and described.

DESCRIPTION

FIG. 1 is a perspective view of a textile machine;
FIG. 2 is a top plan view thereof;
FIG. 3 is a bottom plan view thereof;
FIG. 4 is a front elevational view thereof;
FIG. 5 is a rear elevational view thereof;
FIG. 6 is a left-side elevational view thereof; and,
FIG. 7 is a right-side elevational view thereof.
The broken lines in the drawings depict portions of the textile machine that form no part of the claimed design.

1 Claim, 6 Drawing Sheets



(56)

References Cited

U.S. PATENT DOCUMENTS

D772,958 S * 11/2016 Lonati D04B 15/32
 D15/78
 9,683,321 B2 * 6/2017 Lonati D04B 15/322
 9,689,094 B2 * 6/2017 Lonati D04B 15/32
 9,689,095 B2 * 6/2017 Lonati D04B 15/32
 9,702,068 B2 * 7/2017 Lonati D04B 15/82
 10,329,697 B2 * 6/2019 Lonati D04B 15/48
 10,472,749 B2 * 11/2019 Lonati D04B 15/60
 D873,307 S * 1/2020 Lonati D04B 15/322
 D15/78
 D873,308 S * 1/2020 Lonati D04B 15/58
 D15/78
 D893,554 S * 8/2020 Lonati D04B 27/24
 D15/66
 2006/0156762 A1 * 7/2006 Nakamori D04B 15/10
 66/195
 2007/0056326 A1 * 3/2007 Miyai D04B 15/56
 66/127
 2008/0022727 A1 * 1/2008 Ikoma D04B 7/26
 66/126 A
 2008/0302137 A1 * 12/2008 Miyamoto D04B 7/26
 66/127
 2009/0107184 A1 * 4/2009 Lonati D04B 27/02
 66/205
 2009/0301368 A1 * 12/2009 Asai D05C 11/08
 112/225
 2010/0180641 A1 * 7/2010 Lonati D04B 15/58
 66/139
 2010/0236460 A1 * 9/2010 Kawaguchi D05C 7/04
 112/2
 2013/0025517 A1 * 1/2013 Fujihara D05B 65/06
 112/163
 2013/0055943 A1 * 3/2013 Schmidt D05B 57/14
 112/475.18
 2013/0333423 A1 * 12/2013 Lonati D04B 15/322
 66/108 R
 2014/0291435 A1 * 10/2014 Barea D03D 47/364
 242/417
 2016/0090671 A1 * 3/2016 Lonati D04B 15/32
 66/78
 2016/0102423 A1 * 4/2016 Lonati D04B 15/78
 66/57
 2016/0122914 A1 * 5/2016 Lonati D04B 15/60
 66/145 R
 2016/0130735 A1 * 5/2016 Lonati D04B 15/38
 66/145 R
 2016/0215419 A1 * 7/2016 Lonati D04B 15/58
 2016/0265149 A1 * 9/2016 Lonati D04B 15/82

2017/0370035 A1 * 12/2017 Lonati D04B 15/58
 2019/0292697 A1 * 9/2019 Golin D04B 1/24
 2020/0181817 A1 * 6/2020 Lonati D04B 15/58

FOREIGN PATENT DOCUMENTS

CN 302993730 * 11/2014
 CN 304221442 * 7/2017
 CN 304962793 * 12/2018
 CN 306004403 * 8/2020
 CN 306012086 * 8/2020
 EM 002119180-0001 * 10/2012
 EM 002252254-0001 * 6/2013
 EM 004520302-0005 * 11/2017
 EM 006575379-0002 * 6/2019
 EM 006575379-0003 * 6/2019
 EM 006575379-0004 * 6/2019
 EM 006583290-0004 * 7/2019
 EM 006583290-0005 * 7/2019
 EM 06583290-0014 * 7/2019
 EM 006583290-0016 * 7/2019
 GB 9006575379-0002 * 6/2019
 GB 9006575379-0003 * 6/2019
 GB 9006575379-0004 * 6/2019
 GB 9006583290-0004 * 6/2019
 GB 9006583290-0006 * 6/2019
 GB 9006583290-0014 * 6/2019
 GB 9006583290-0016 * 6/2019
 KR 300784112.0000 * 2/2015
 KR 301003434.0000 * 4/2019
 RU 00094421 * 7/2015
 WO WO-2009033958 A1 * 3/2009 D04B 15/80

OTHER PUBLICATIONS

Pattern Drive on Warp Knitting Machines [online] URL: <http://www.warpknitting4u.com/2009/08/pattern-drives-on-warp-knitting.html> (2009) (Year: 2009).*

Lonati Plastic Yarn Carrier [online] URL: <http://www.cbs-machine.com/products/Lonati-plastic-yarn-carrier.htm> (Year: 2017).*

Wild Card! Machine Knitting, URL: <http://fab.cba.mit.edu/classes/863.18/Architecture/people/molly/weeks/week13.html> (2018) (Year: 2018).*

Lonati LA04E7 Hoisery Machine Use Move Yarn Finger D5900299 [online, available Jul. 13, 2021] URL: <https://www.aliexpress.com/item/32676426581.html> (Year: 2021).*

Santoni Seamless Underwar Machine [online] URL: <https://imall.com/product/Santoni-Seamless-Underwear-Machine-SM8-TOP1-TOP2-Yarn-Finger-Spring-M120700/Tools-Woodworking-Machinery-Parts/aliexpress.com/32760903741/144-48207279/en> (2021) (Year: 2021).*

* cited by examiner

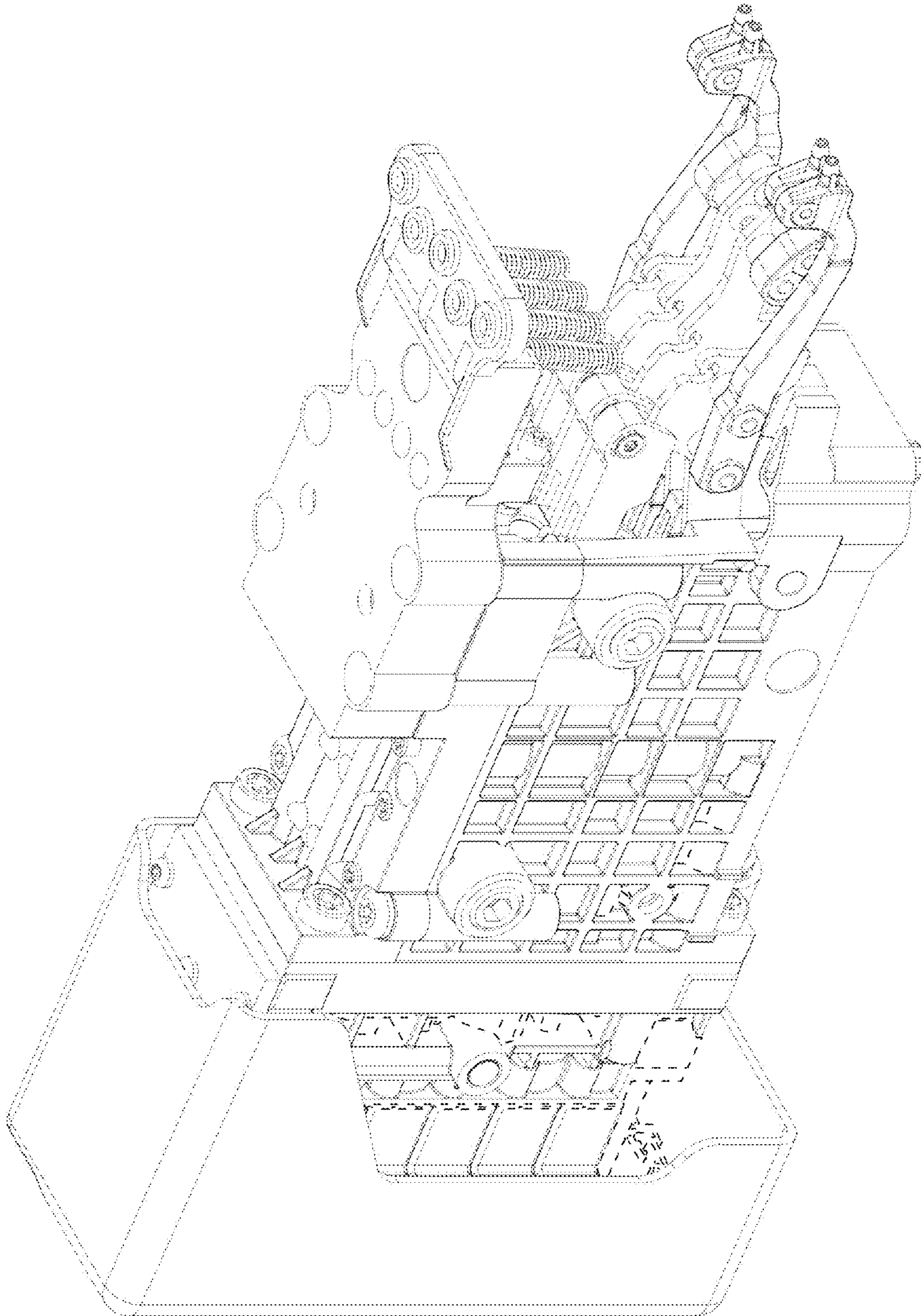


FIG. 1

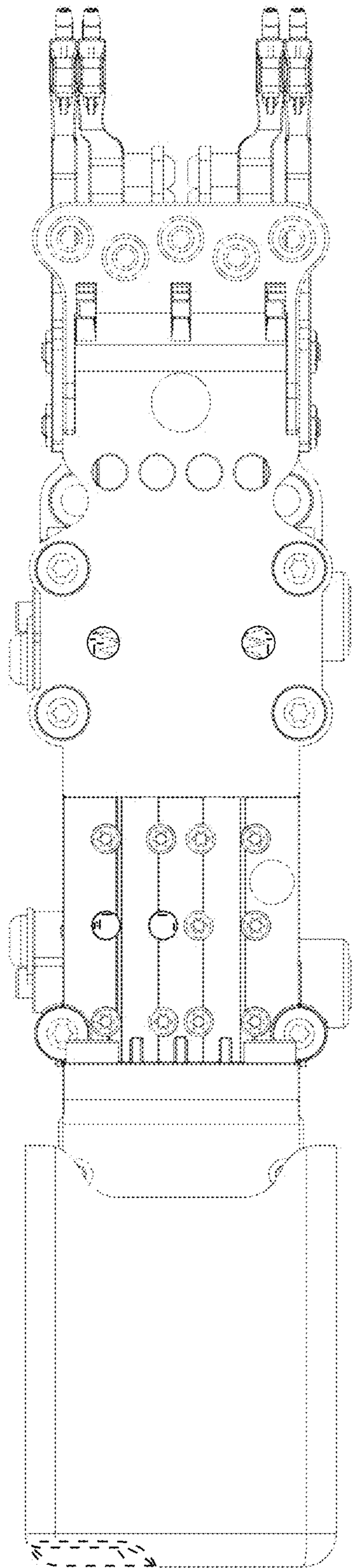


FIG. 2

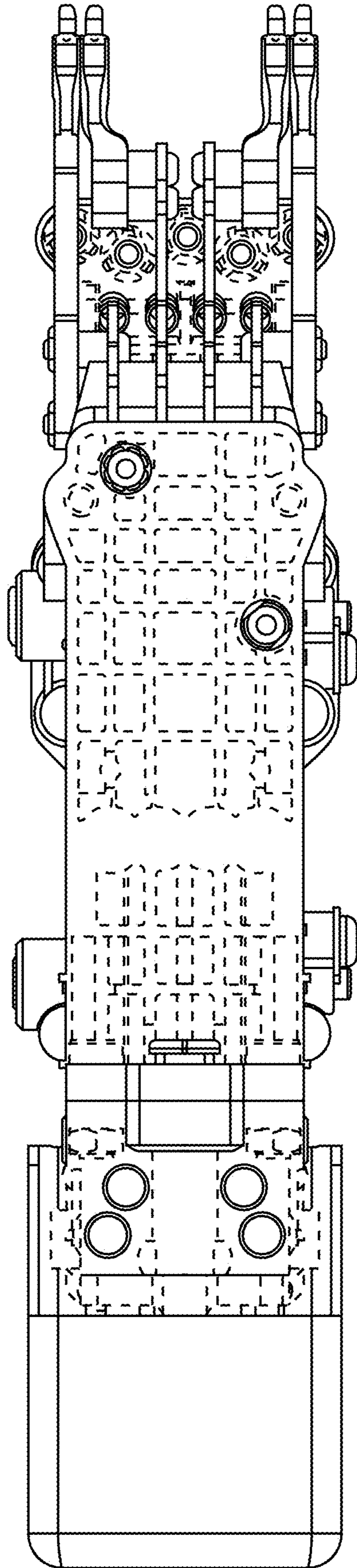


FIG. 3

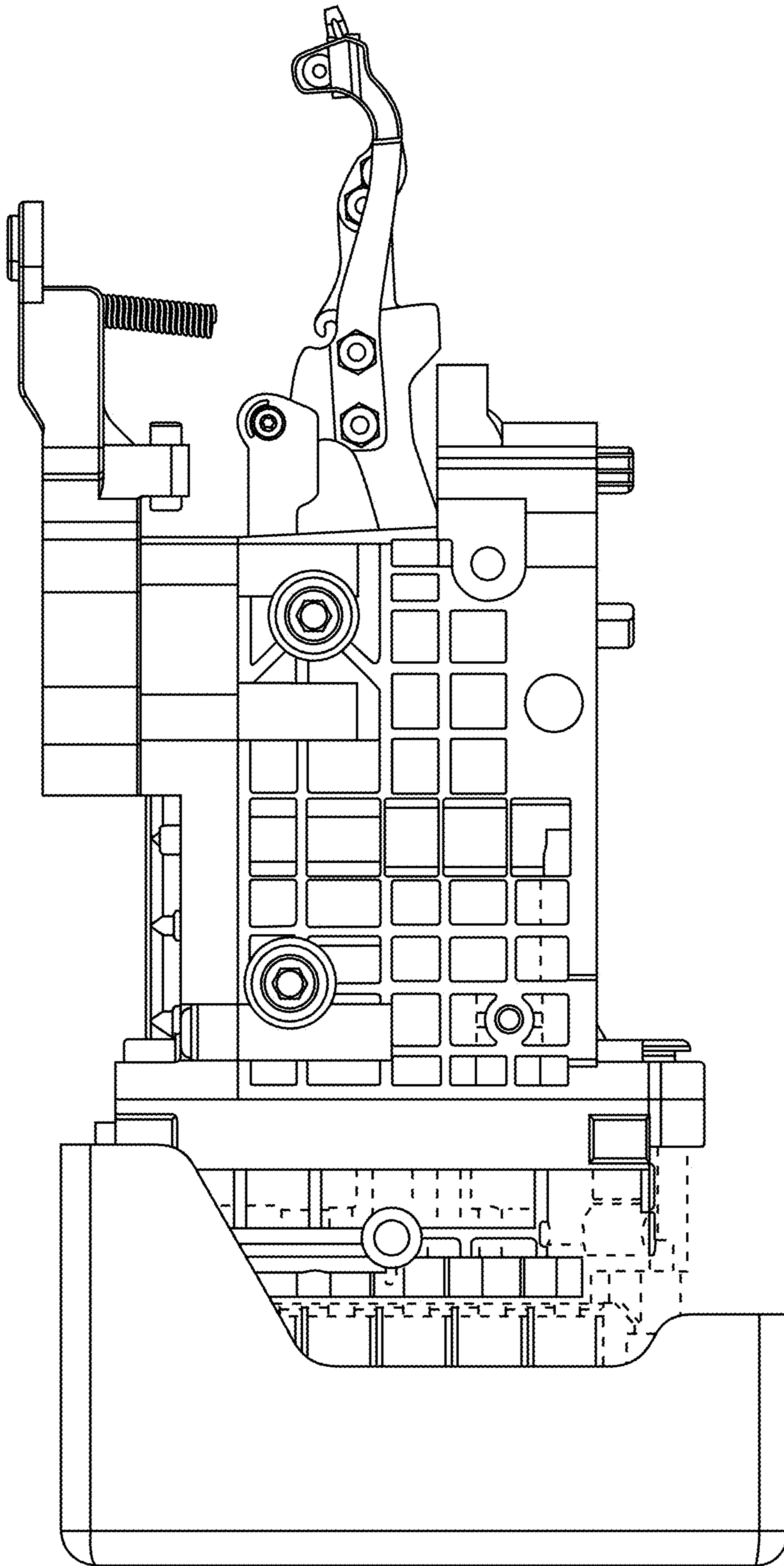


FIG. 4

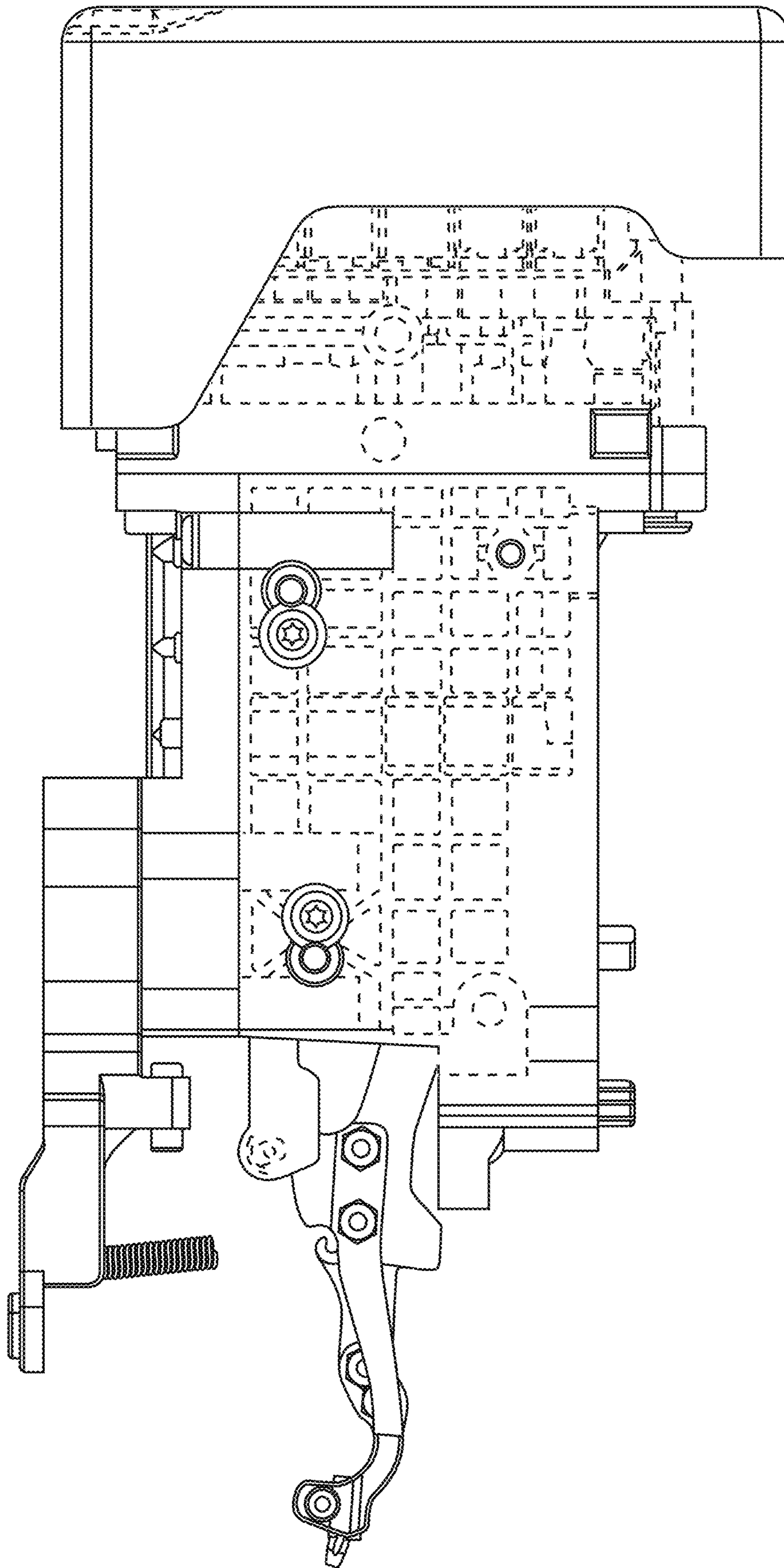


FIG. 5

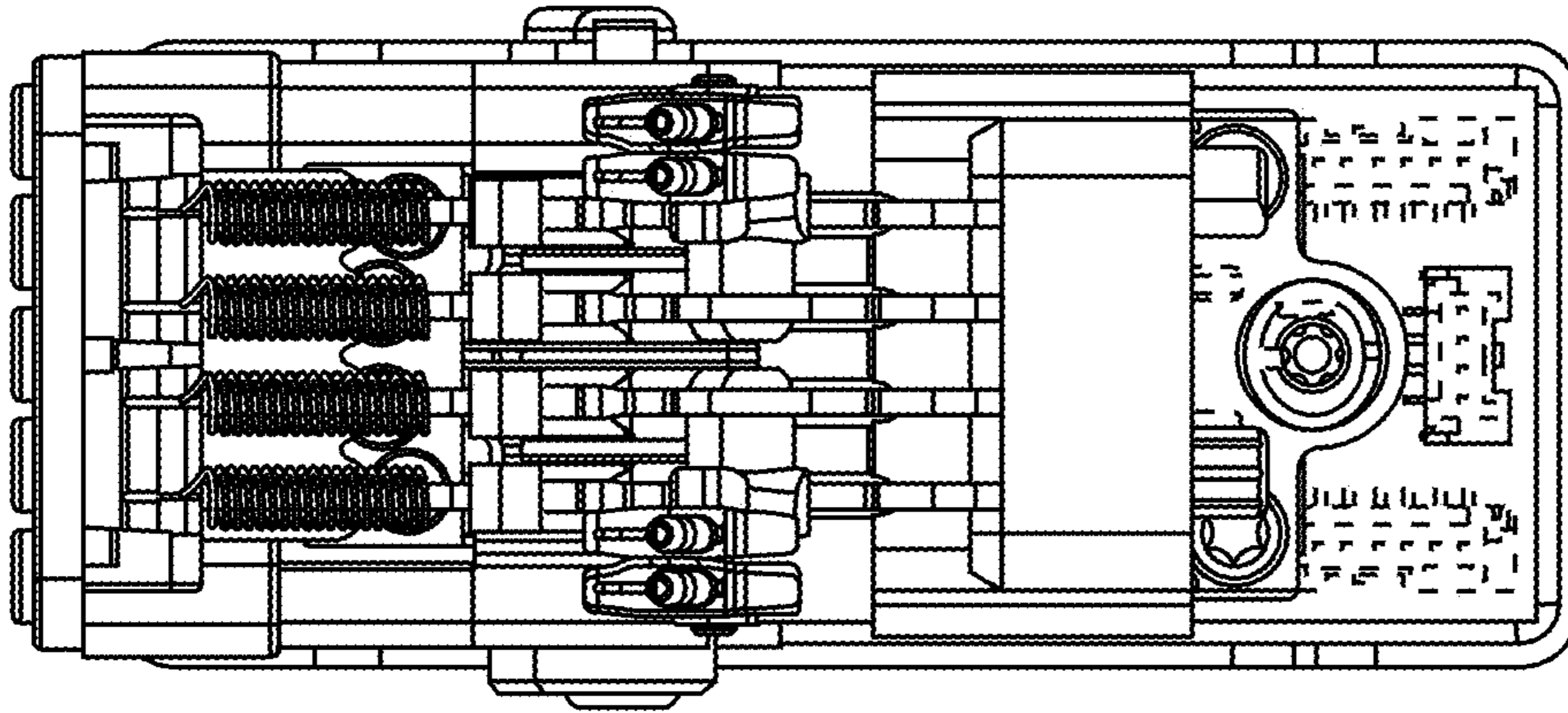


FIG. 7

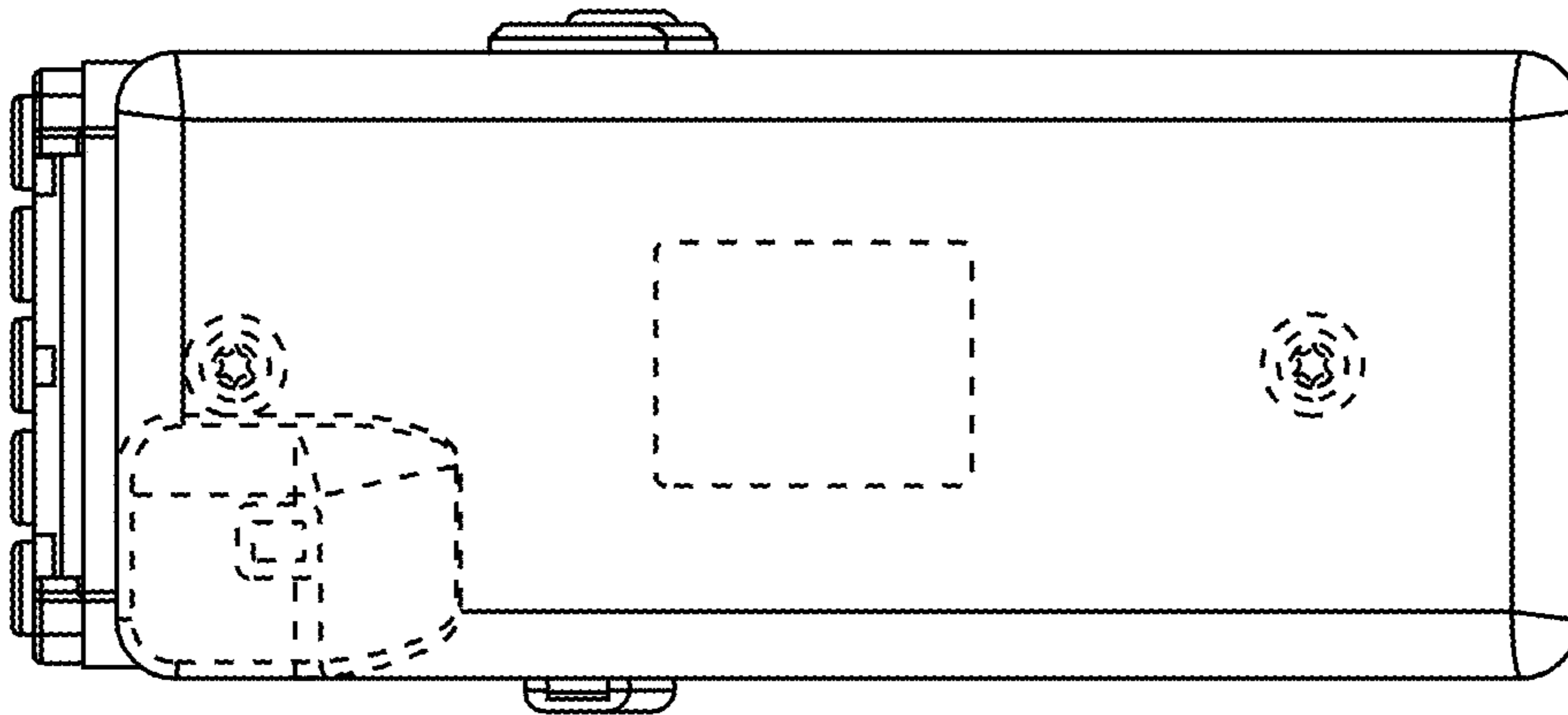


FIG. 6