



US00D961627S

(12) **United States Design Patent**
Lonati et al.

(10) **Patent No.:** **US D961,627 S**
(45) **Date of Patent:** **** Aug. 23, 2022**

(54) **TEXTILE MACHINE**

(71) Applicant: **SANTONI S.P.A.**, Brescia (IT)

(72) Inventors: **Ettore Lonati**, Botticino (IT); **Fausto Lonati**, Brescia (IT); **Andrea Lonati**, Brescia (IT)

(73) Assignee: **SANTONI S.P.A.**, Brescia (IT)

(**) Term: **15 Years**

(21) Appl. No.: **29/717,200**

(22) Filed: **Dec. 16, 2019**

(30) **Foreign Application Priority Data**

Jun. 17, 2019 (EM) 006584744-0001

(51) **LOC (13) Cl.** **15-06**

(52) **U.S. Cl.**
USPC **D15/66; D15/72**

(58) **Field of Classification Search**

USPC D15/66-78; 66/8, 151, 108 R, 17, 178 R,
66/57, 104, 125 R, 20, 64, 13, 132 R, 14,
66/140 S, 145 R, 148, 149 R, 153, 222
CPC . D04B 13/00; D04B 13/02; D04B 9/00-9/58;
D04B 15/06; D04B 15/14; D04B 15/88;
D04B 15/94; D05B 1/00-25/00; D03D
49/12; D03D 49/16

See application file for complete search history.

(56) **References Cited**

U.S. PATENT DOCUMENTS

875,597 A * 12/1907 Parkes D05B 3/06
112/65
4,454,729 A * 6/1984 Lonati D04B 9/06
66/149 S
4,576,019 A * 3/1986 Keel D04B 15/88
66/147
5,052,196 A * 10/1991 Turini D04B 15/92
66/149 S

(Continued)

FOREIGN PATENT DOCUMENTS

EM 006575379-000 * 6/2019
EM 006575379-0008 * 6/2019

(Continued)

OTHER PUBLICATIONS

IKNT Full Automatic Computerized Terry and Plain Sock Knitting Machine [online] URL:https://m.made-in-china.com/product/3-75inch-Automatic-Computerized-Terry-and-Plain-Sock-Knitting-Machine-1898826065.html (visited Jul. 30, 2021) (Year: 2000).*

(Continued)

Primary Examiner — Jae Liang

Assistant Examiner — Tia Ruth-Renee Polidori

(74) *Attorney, Agent, or Firm* — MH2 Technology Law Group LLP

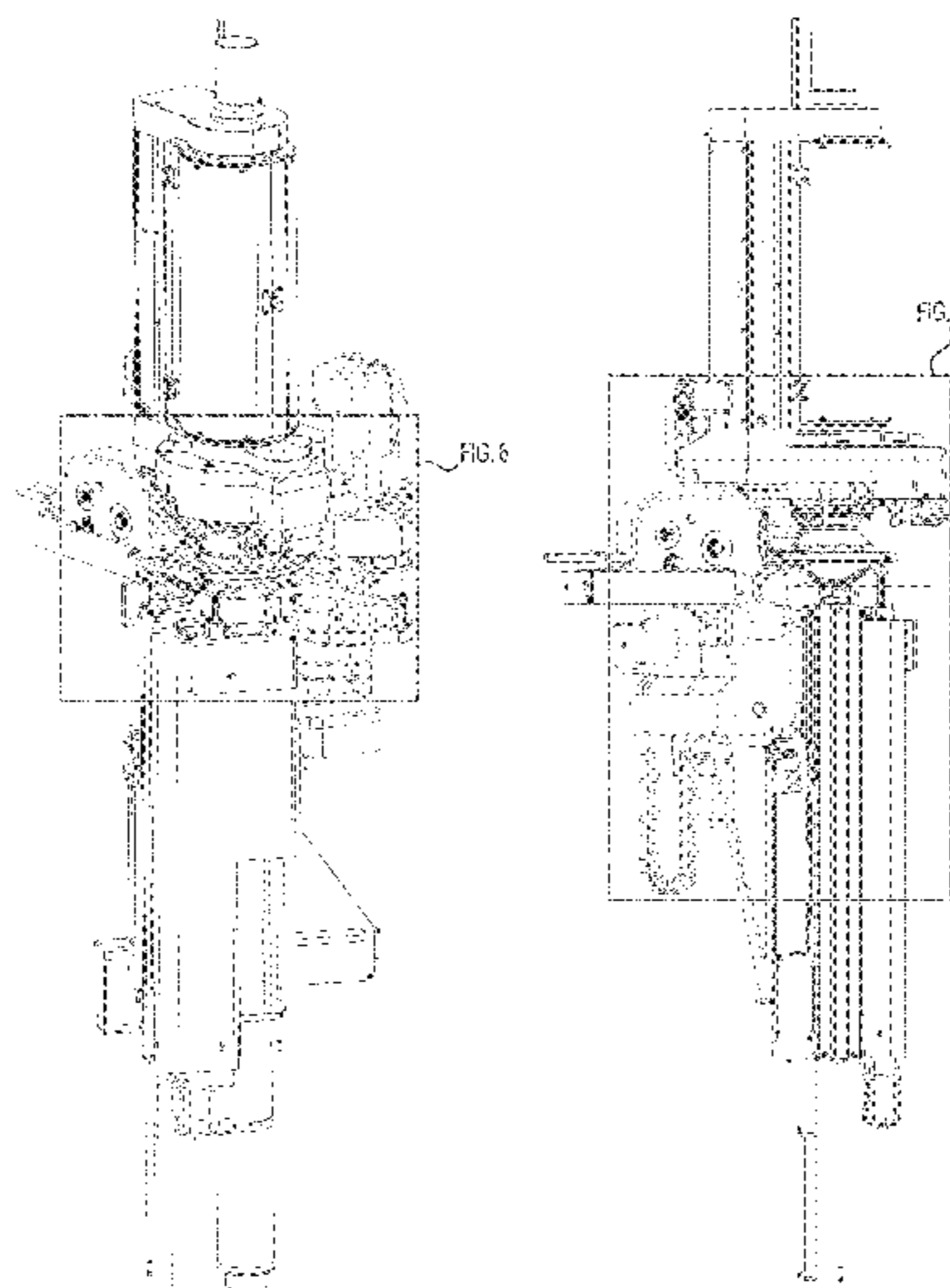
(57) **CLAIM**

The ornamental design for a textile machine, as shown and described.

DESCRIPTION

FIG. 1 is a perspective view of a textile machine; FIG. 2 is a top plan view thereof; FIG. 3 is a first side elevation view thereof; FIG. 4 is a second side elevation view thereof; FIG. 5 is a third side elevation view thereof; FIG. 6 is an enlarged view of a portion of FIG. 1; FIG. 7 is an enlarged view of a portion of FIG. 2; FIG. 8 is an enlarged view of a portion of FIG. 3; FIG. 9 is an enlarged view of a portion of FIG. 4; and, FIG. 10 is an enlarged view of a portion of FIG. 5. The dash-dash broken lines in the drawings depict portions of the textile machine that form no part of the claimed design. The dash-dot broken lines show partial view indicia that forms no part of the claimed design.

1 Claim, 9 Drawing Sheets



(56)

References Cited

U.S. PATENT DOCUMENTS

5,297,671 A * 3/1994 Ruth B65H 49/06
198/465.1
5,606,876 A * 3/1997 Sangiacomo D04B 15/02
66/148
5,647,229 A * 7/1997 Conti D04B 9/56
66/58
6,283,055 B1 * 9/2001 Salvetti D05B 23/007
112/470.15
D816,031 S * 4/2018 Sakai D13/112
D891,485 S * 7/2020 Lonati D15/66
D892,179 S * 8/2020 Lonati D15/66
D893,554 S * 8/2020 Lonati D15/66
2001/0017046 A1 * 8/2001 Rumi D05B 23/007
66/147
2002/0079039 A1 * 6/2002 Azulay B29C 66/21
156/73.1
2004/0168478 A1 * 9/2004 Conti D04B 15/92
66/147
2010/0313607 A1 * 12/2010 Lonati D04B 15/02
66/148
2010/0313608 A1 * 12/2010 Lonati D06G 3/02
66/149 S
2014/0338401 A1 * 11/2014 Lonati D04B 9/10
66/14
2015/0000348 A1 * 1/2015 Lonati A41B 11/00
66/8
2015/0096332 A1 * 4/2015 Lonati D04B 9/10
66/18
2015/0354108 A1 * 12/2015 Lonati D04B 9/02
66/150
2018/0327944 A1 * 11/2018 Lonati D05B 23/009

2018/0340276 A1 * 11/2018 Lonati D04B 9/10
2020/0056323 A1 * 2/2020 In D04B 15/92
2020/0308759 A1 * 10/2020 Bottini D06G 3/02

FOREIGN PATENT DOCUMENTS

EP 727516 A1 * 8/1996
EP 1268909 * 1/2003
EP 1243683 * 7/2003
JP 08246301 A * 9/1996 D04B 15/92
JP 10310958 A * 11/1998 D04B 15/18
WO WO-2009112346 A1 * 9/2009 D04B 9/40
WO WO-2009112348 A1 * 9/2009 D04B 9/40
WO WO2019197928 * 10/2019
WO WO2020255052 * 12/2020

OTHER PUBLICATIONS

Lonati Double Cylinder [online] URL: <https://www.lonati.com/en/prodotti/dc88x-e136hx> (visited Jul. 30, 2021) (Year: 2020).
Heyue all in one socks knitting machine [online] URL: https://www.alibaba.com/product-detail/6F-auto-toe-closing-Circular-Plain_1600260352203.html?spm=a2700.pc_countrysearch.main07.154.f2ae5162eBiAS (visited Jul. 30, 2021) (Year: 2021).
S by S true linking for Lonati Goal series [online] URL: <https://www.knittingindustry.com/sock-knitting-single-cylinder/s-by-s-true-linking-for-lonati-goal-series/> (visited Jul. 30, 2021) (Year: 2008).
Yexiao Knitting Machine [online] URL: http://www.zjyexiao.com/en/h-pd-87.html#_p (visited Jul. 30, 2021) (Year: 2014).

* cited by examiner

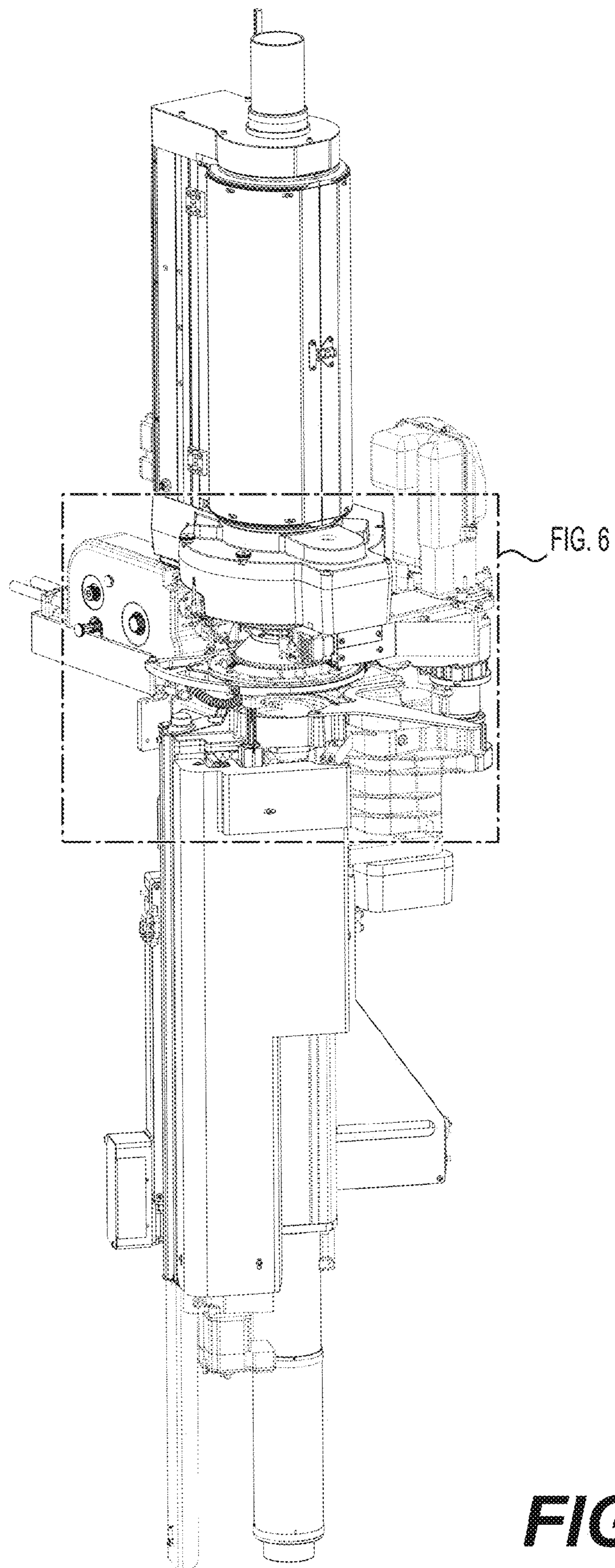


FIG. 1

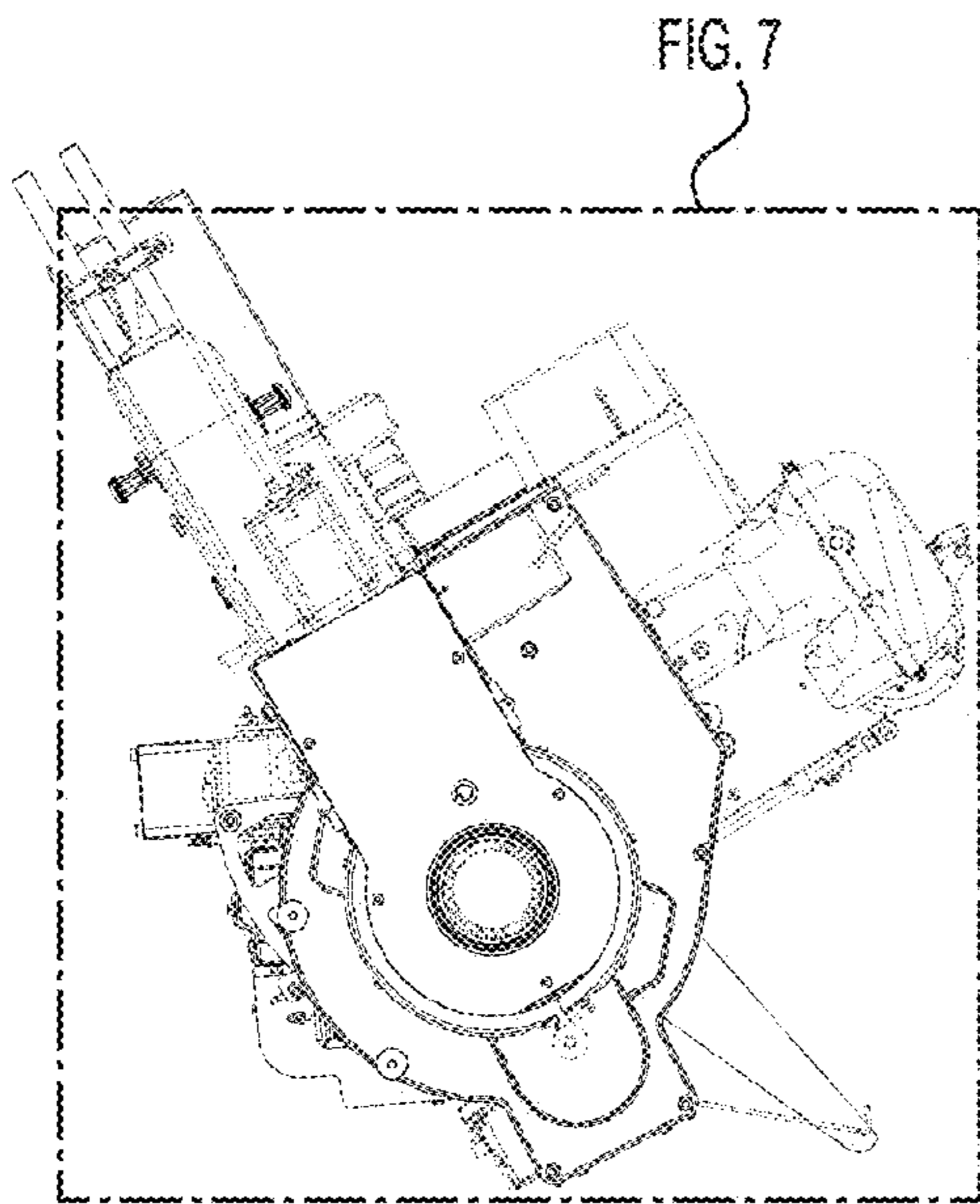


FIG. 2

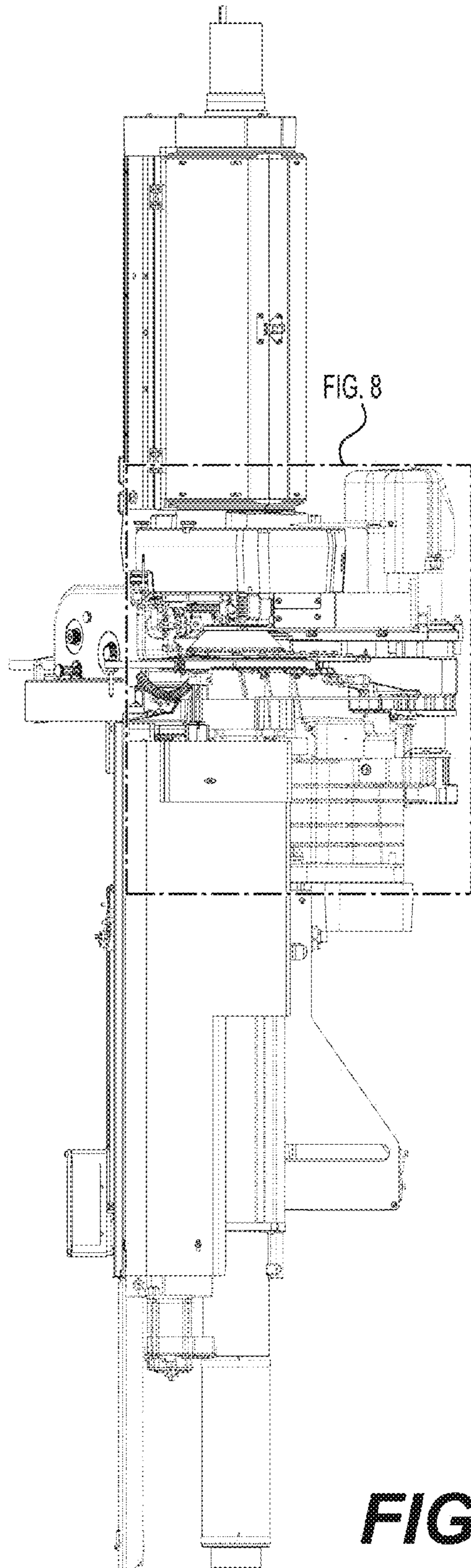


FIG. 3

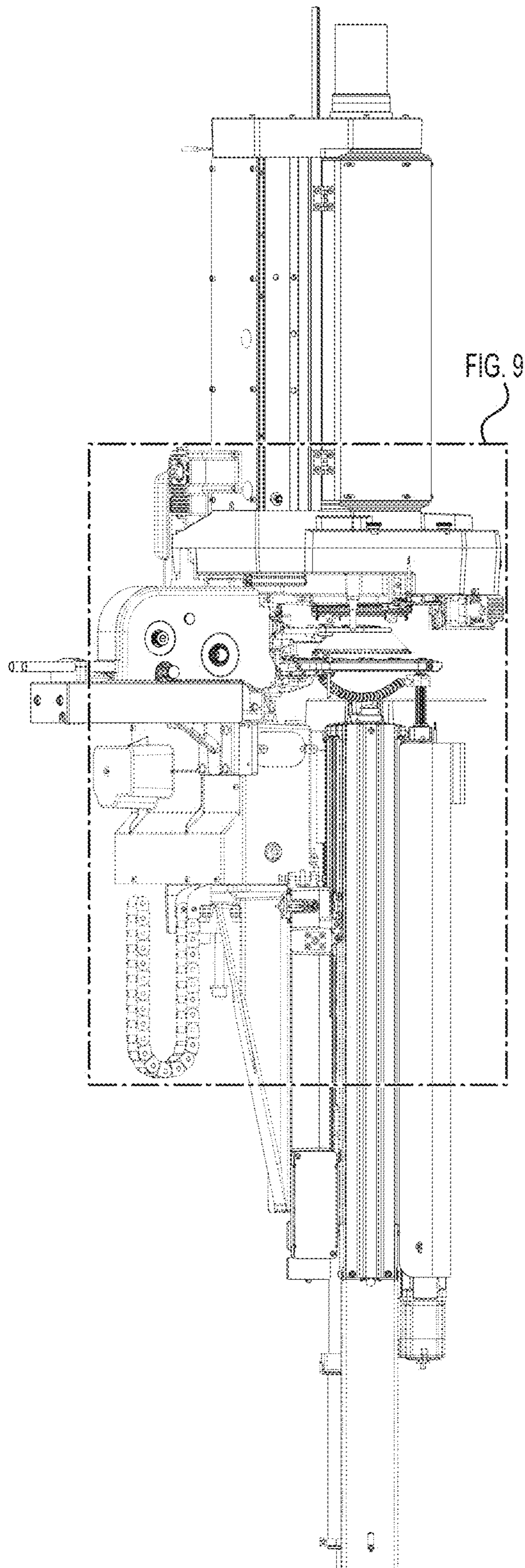
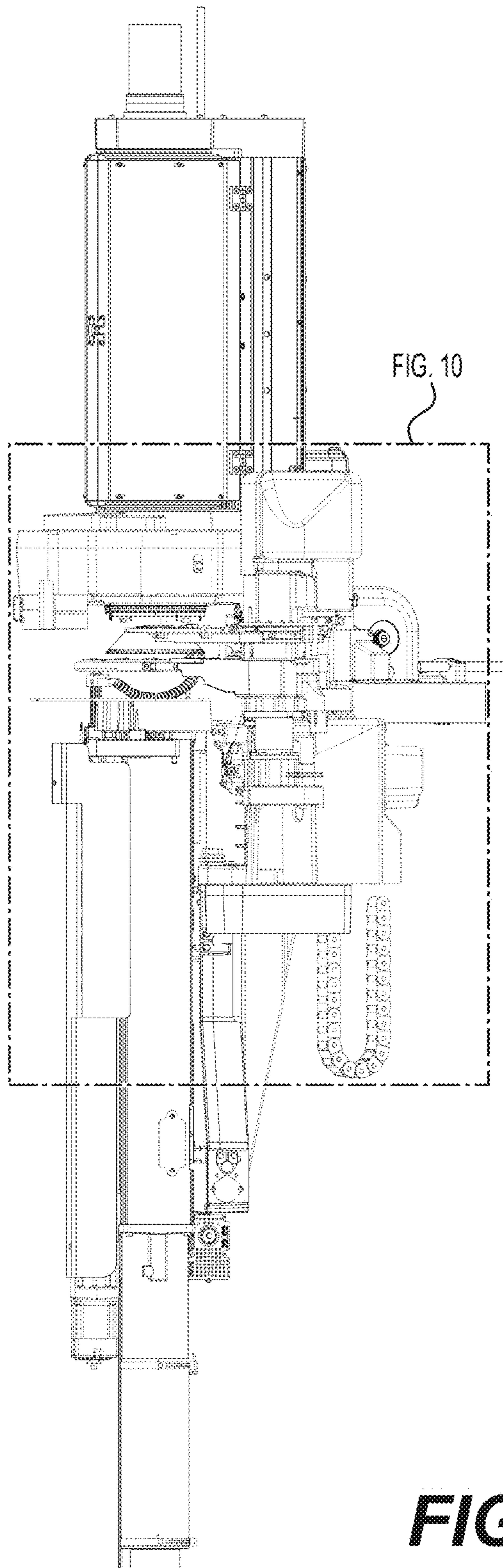


FIG. 4



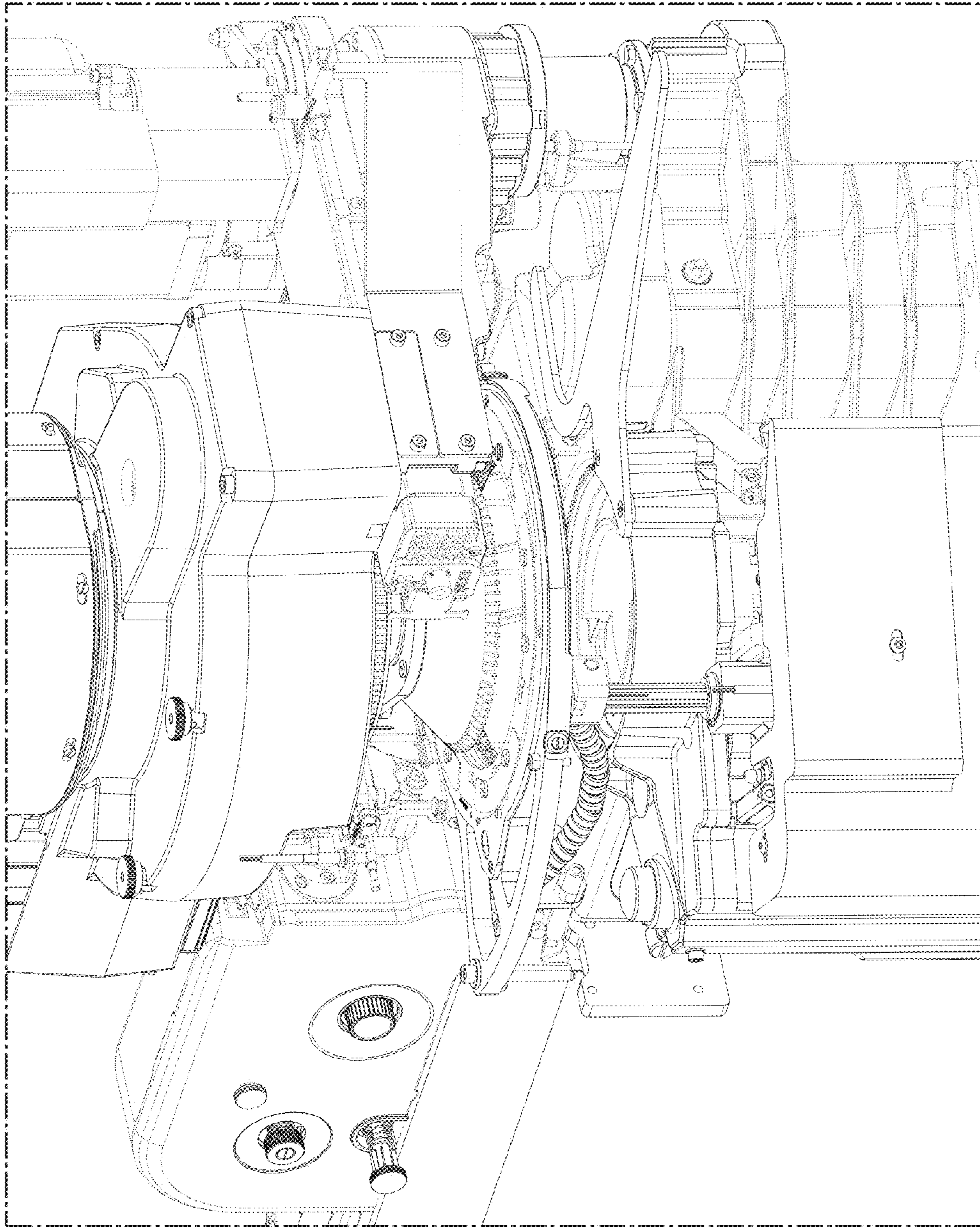


FIG. 6

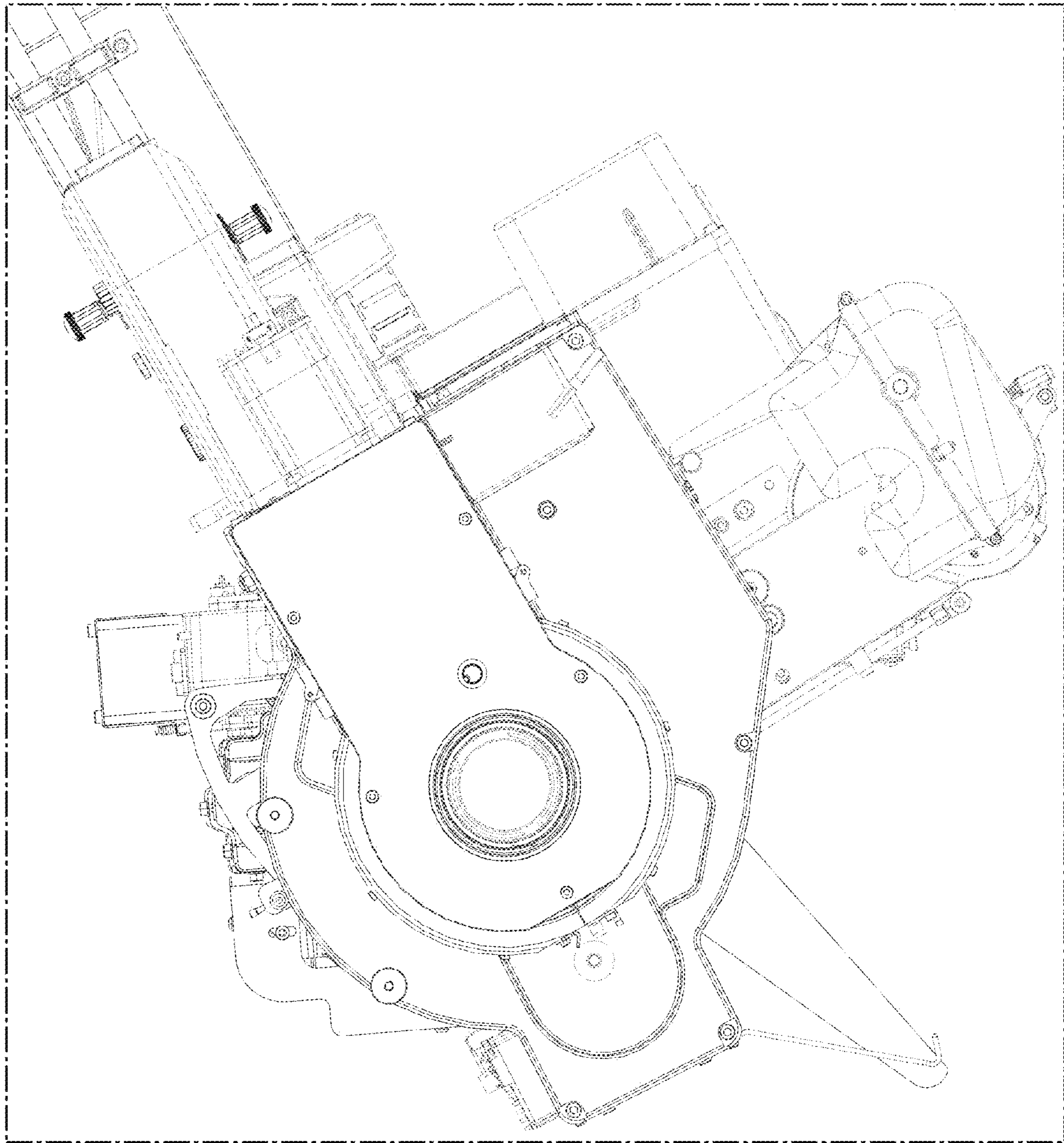


FIG. 7

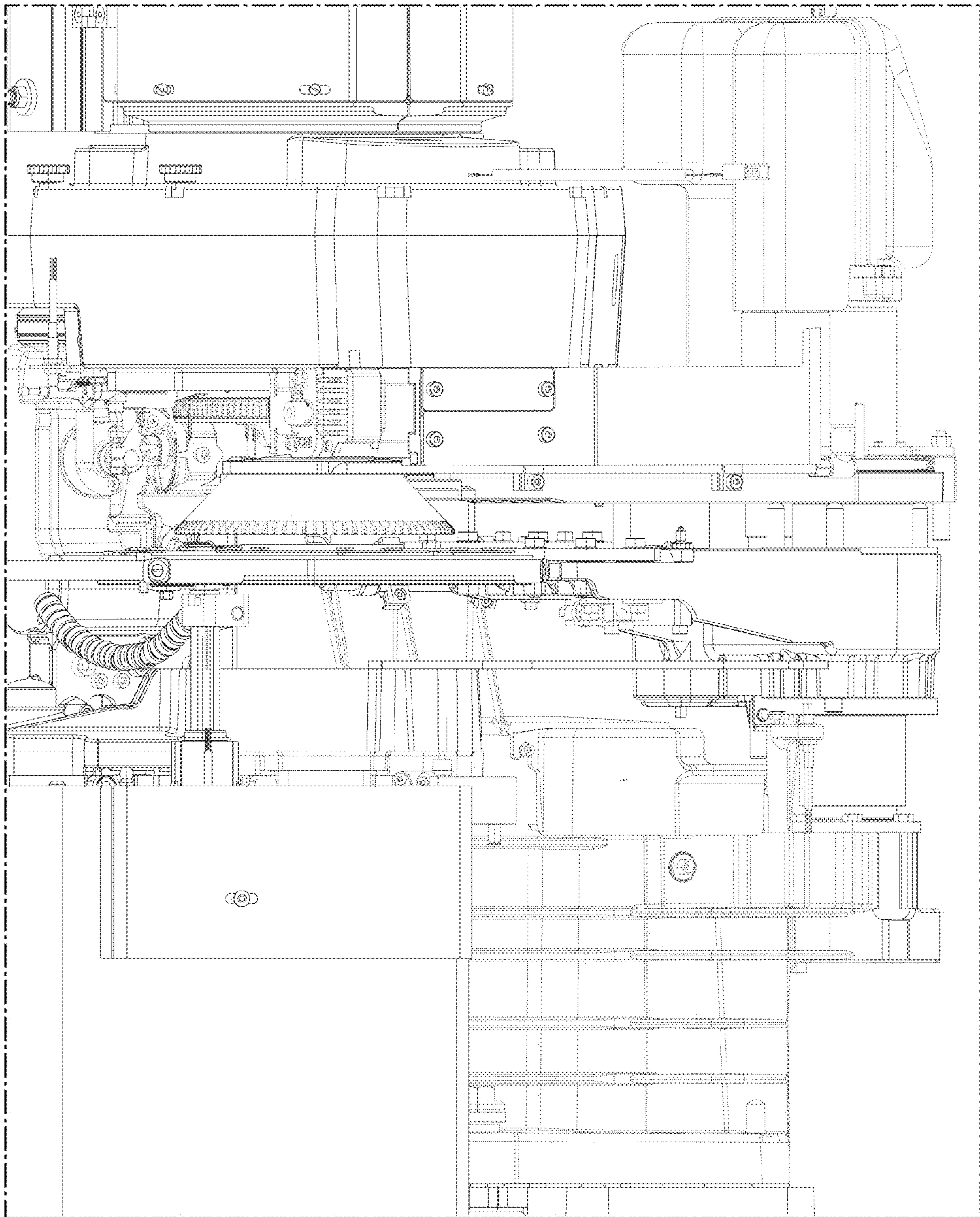


FIG. 8

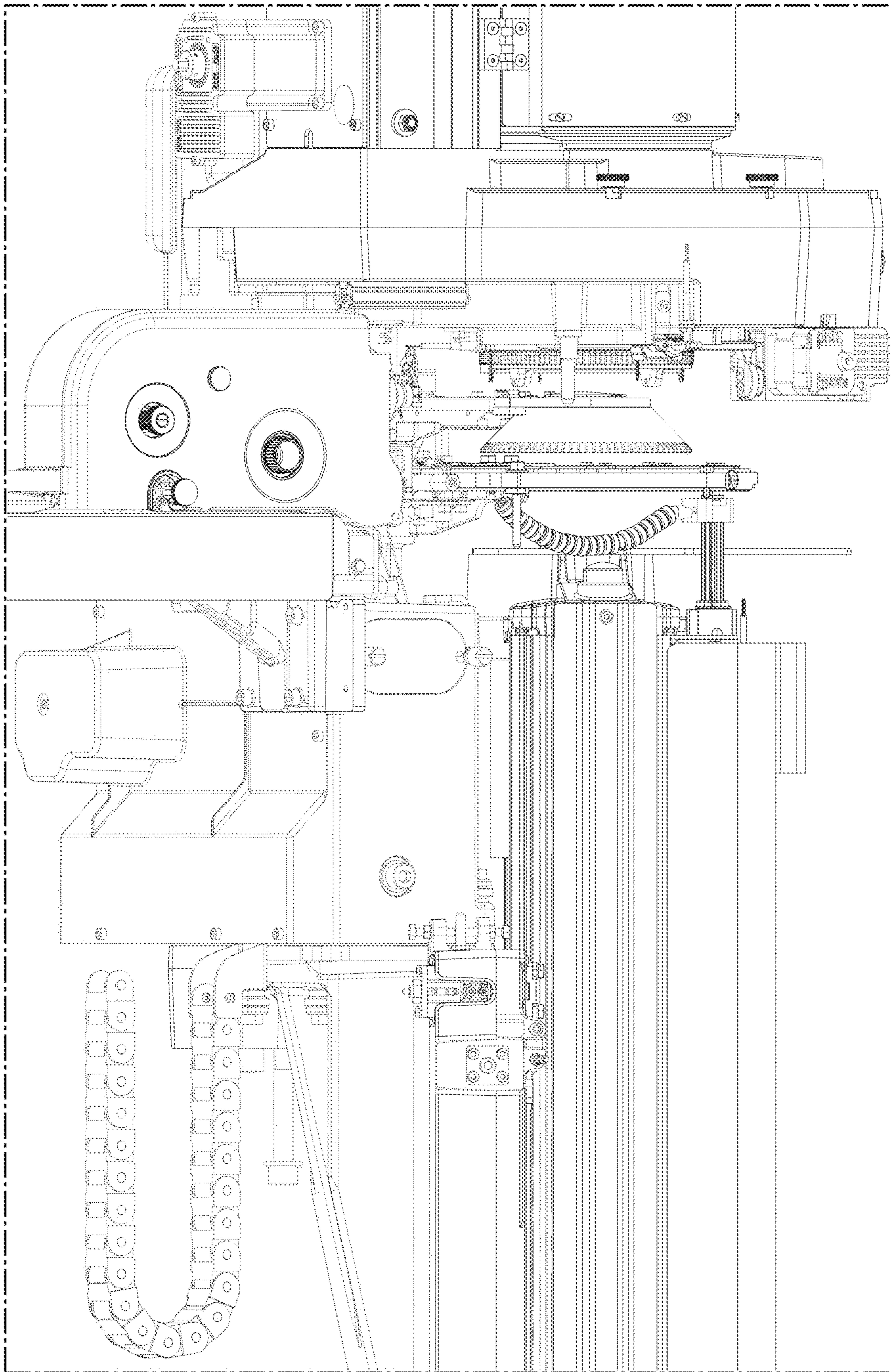


FIG. 9

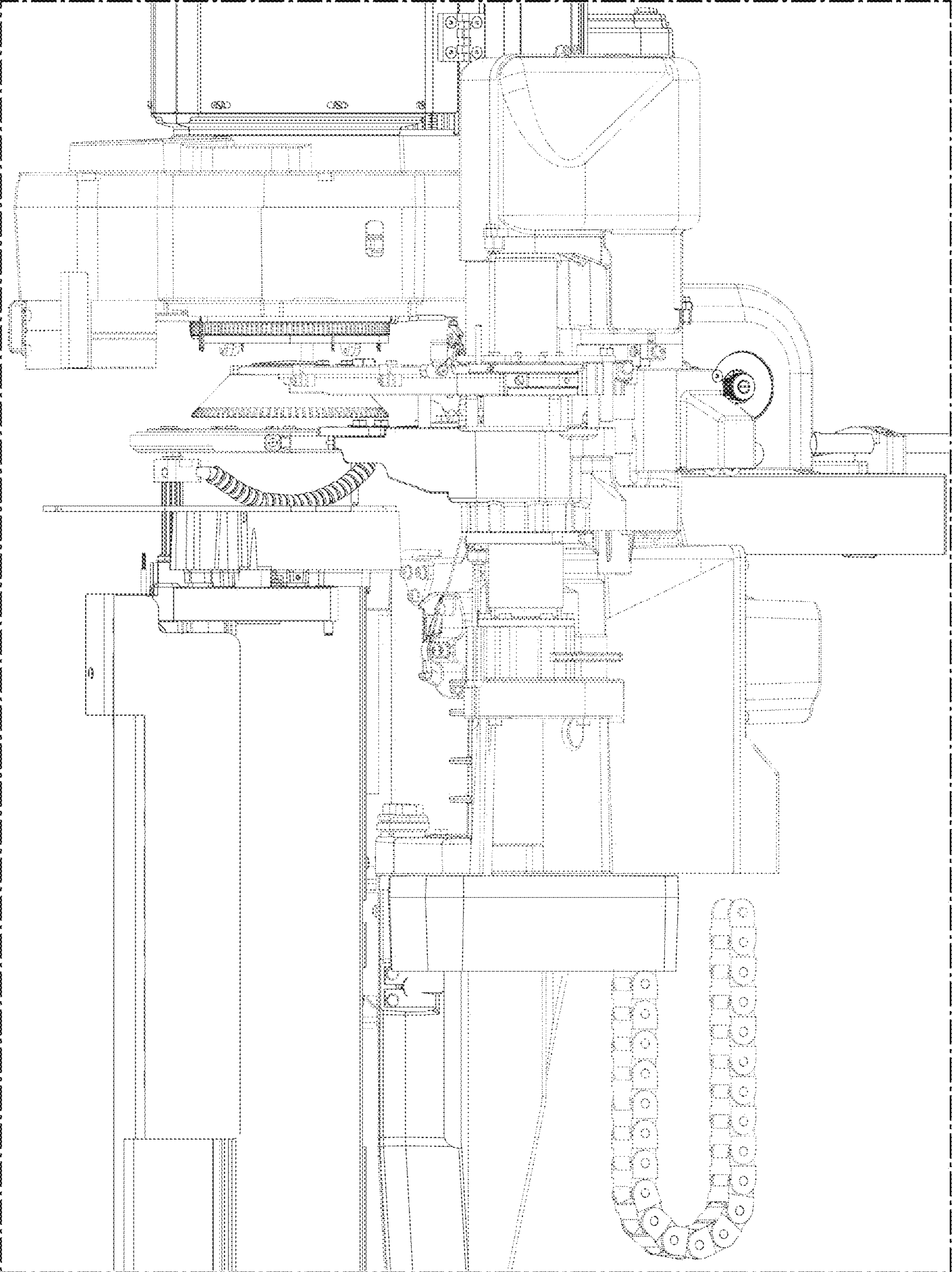


FIG. 10