



US00D961623S

(12) **United States Design Patent**
Wang

(10) **Patent No.:** **US D961,623 S**
(45) **Date of Patent:** **** Aug. 23, 2022**

(54) **MACERATING PUMP**

- (71) Applicant: **Sa Wang**, Hangzhou (CN)
- (72) Inventor: **Sa Wang**, Hangzhou (CN)
- (**) Term: **15 Years**
- (21) Appl. No.: **29/824,440**
- (22) Filed: **Jan. 25, 2022**
- (51) **LOC (13) Cl.** **15-02**
- (52) **U.S. Cl.**
USPC **D15/7**
- (58) **Field of Classification Search**
USPC D13/103, 107; D15/7-9; D23/210
CPC F04B 43/00; F04B 53/00; F04B 53/92;
F04B 1/005; F04B 25/00; F04B 35/00;
F04B 37/00; F04B 39/00; F04B 27/00;
F04B 43/1269; F04B 43/1276; F04B
43/08; F04B 45/08; F04B 17/03; F04B
35/04; E03B 5/00; B25B 21/02; B60S
5/04; B60S 5/046; B29C 73/00; F24F
13/222; F24F 2140/30; F04D 29/64
See application file for complete search history.

(56) **References Cited**

U.S. PATENT DOCUMENTS

6,343,752	B1 *	2/2002	Sleasman	E03F 5/22 241/101.3
7,203,976	B1 *	4/2007	Weller	E03D 11/11 4/315
8,235,316	B1 *	8/2012	Heinsler	E03D 9/10 241/21
9,115,486	B2 *	8/2015	Rakoczy	E03D 5/01
9,617,993	B2 *	4/2017	Mehta	F04C 13/001
D931,339	S *	9/2021	Wang	D15/7
2010/0322756	A1 *	12/2010	Schmidt	E03F 5/22 415/121.1
2012/0031823	A1 *	2/2012	Hamann	C02F 1/76 210/170.11
2021/0180711	A1 *	6/2021	Van Riel	F16K 31/535

FOREIGN PATENT DOCUMENTS

GB	120533	*	2/2021
GB	120560	*	2/2021

OTHER PUBLICATIONS

Hocanflo, 700 Watt Macerator Pump, Macerator Toilet Pump for Upflush Toilet Basement Toilet with 4 Water Connections for Laundry Machine, (First available Mar. 10, 2021), Amazon.com, URL:<<https://www.amazon.com/Macerator-Upflush-Basement-Connections-Kitchen/dp/B08YJF7VBJ/>> (Year: 2021).*

Saniflo, Saniflo 002 SANIPLUS Macerating Pump, White, (First available May 19, 2008), Amazon.com, URL:<<https://www.amazon.com/Saniflo-002-SANIPLUS-Macerating-White/dp/B0019S4JRW/>> (Year: 2008).*

* cited by examiner

Primary Examiner — Calvin E Vansant
Assistant Examiner — Mark T. Philipps

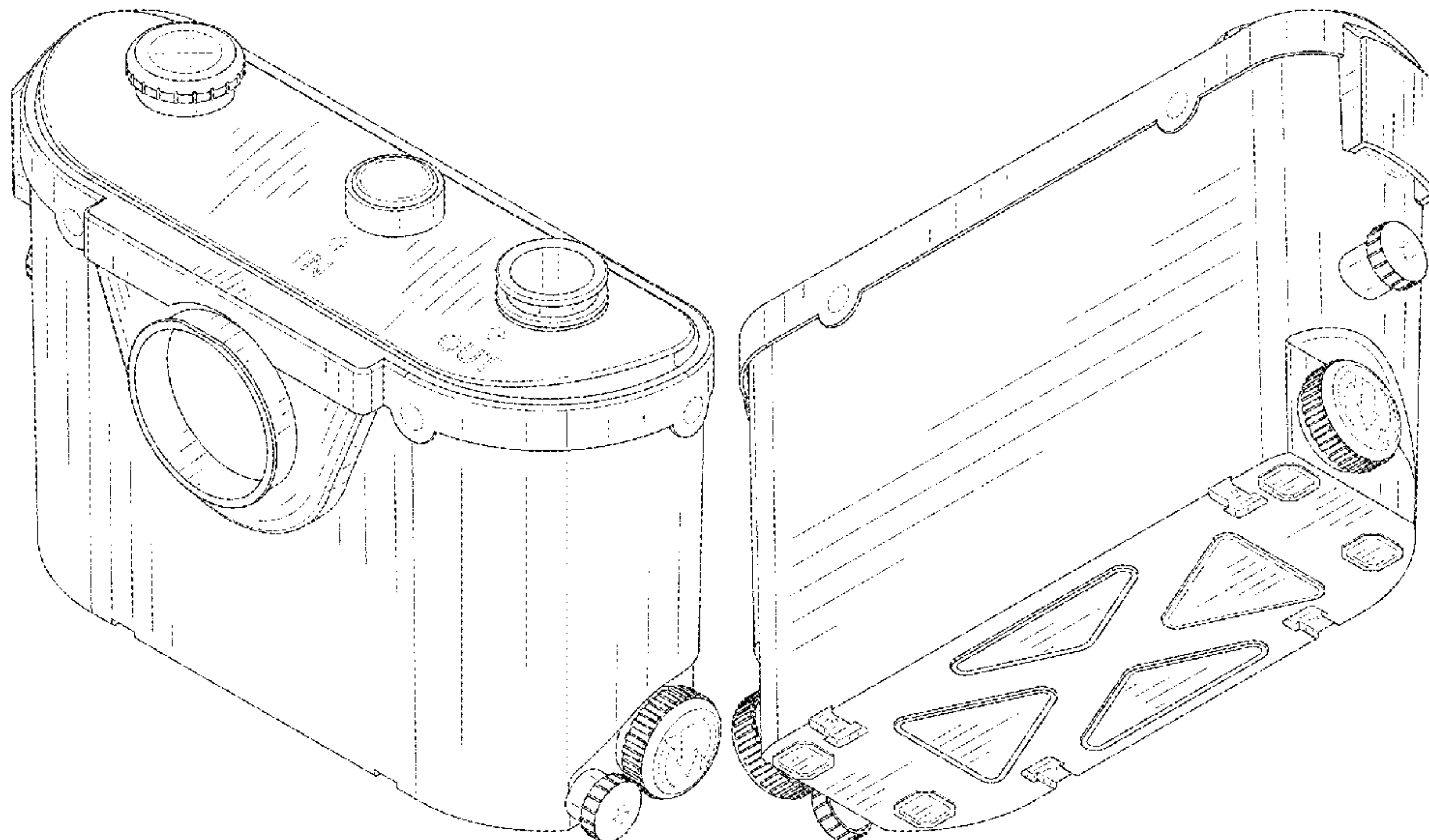
(57) **CLAIM**

The ornamental design for macerating pump, substantially as shown and described.

DESCRIPTION

FIG. 1 is a top, front and right side perspective view of macerating pump, showing my new design;
FIG. 2 is a bottom, rear and left side perspective view thereof;
FIG. 3 is a front elevational view thereof;
FIG. 4 is a rear elevational view thereof;
FIG. 5 is a left side elevational view thereof;
FIG. 6 is a right side elevational view thereof;
FIG. 7 is a top plan view thereof; and,
FIG. 8 is a bottom plan view thereof.
The broken lines in the drawings illustrate the portions of the macerating pump, which form no part of the claimed design.

1 Claim, 8 Drawing Sheets



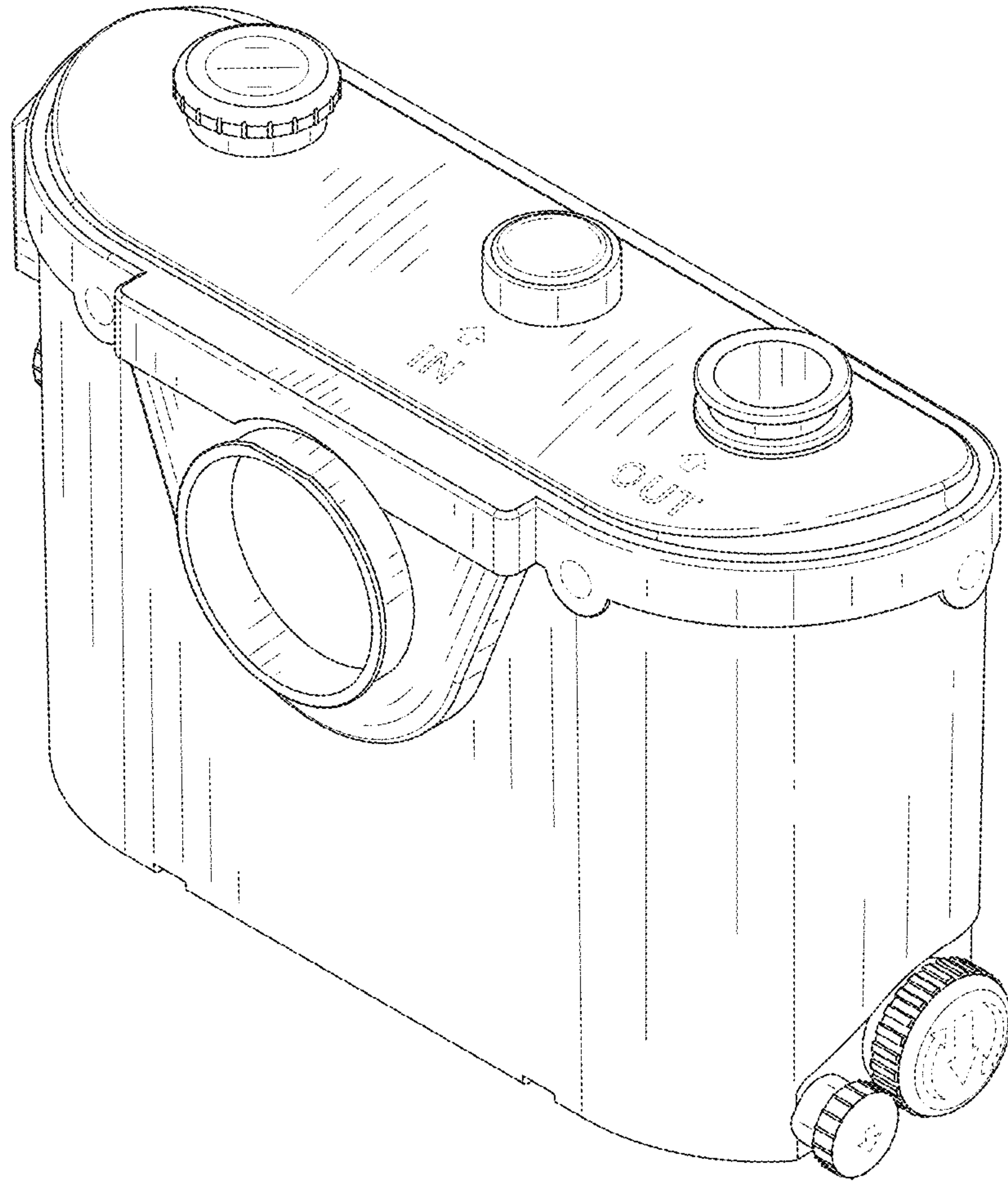


FIG. 1

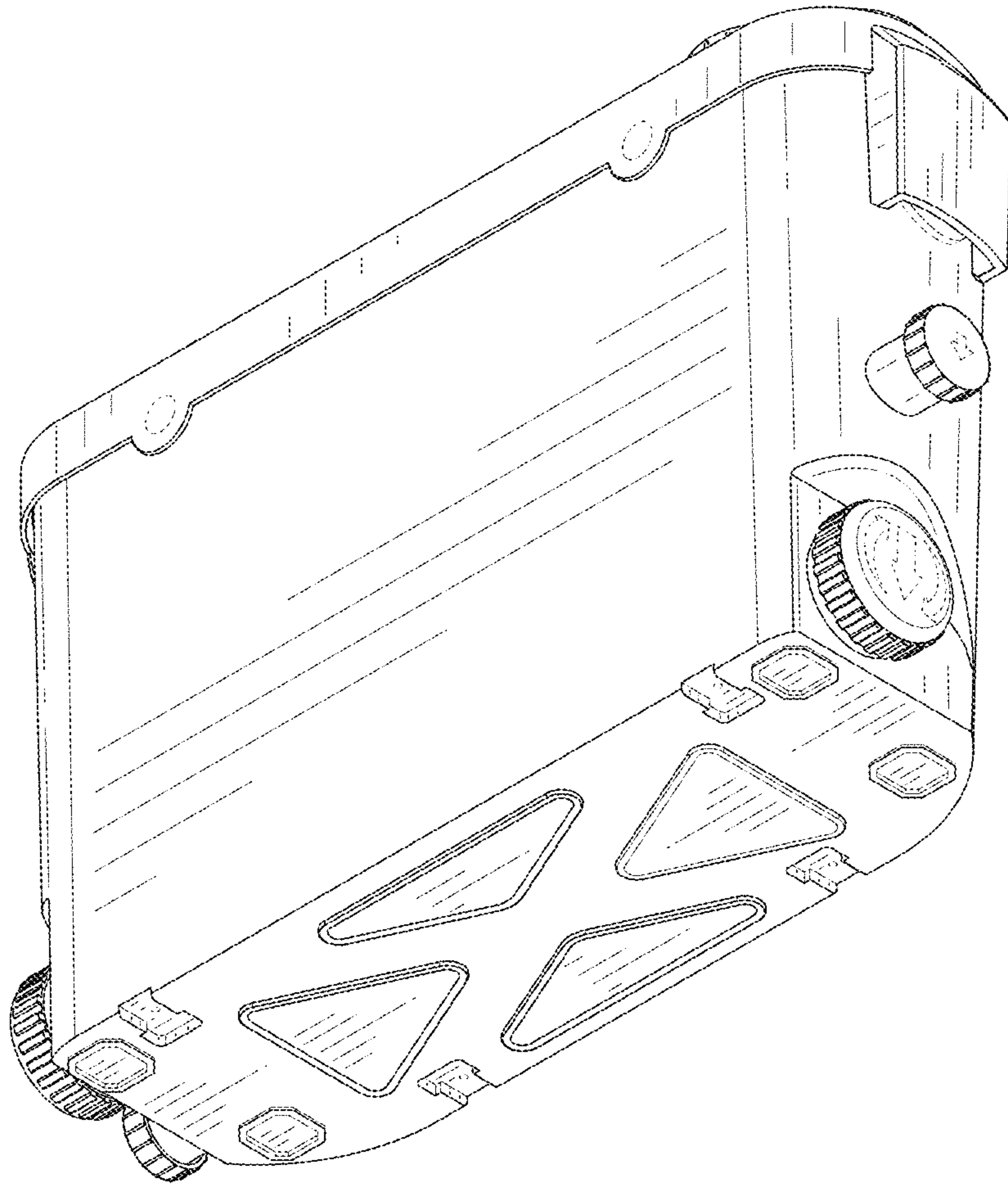


FIG. 2

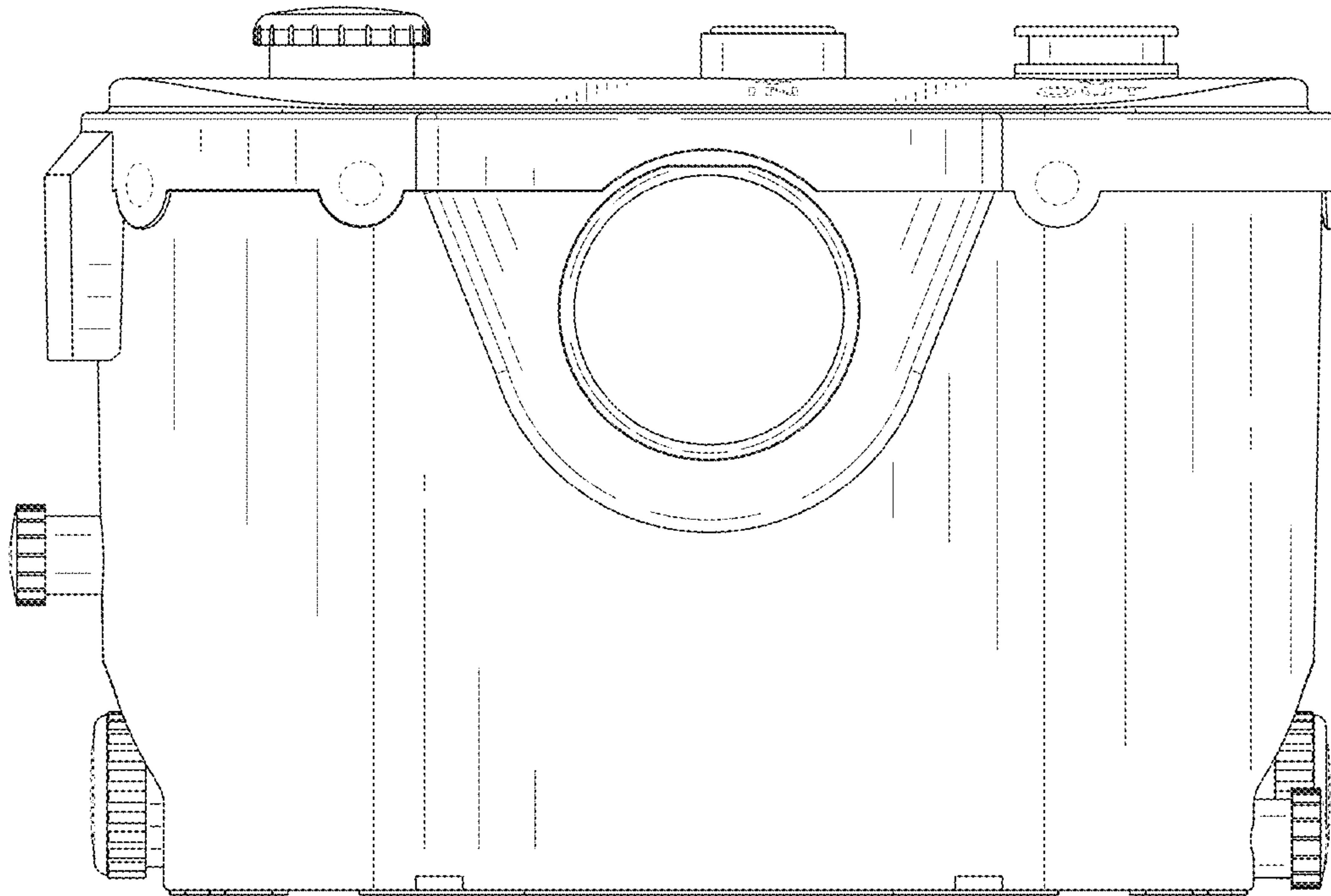


FIG.3

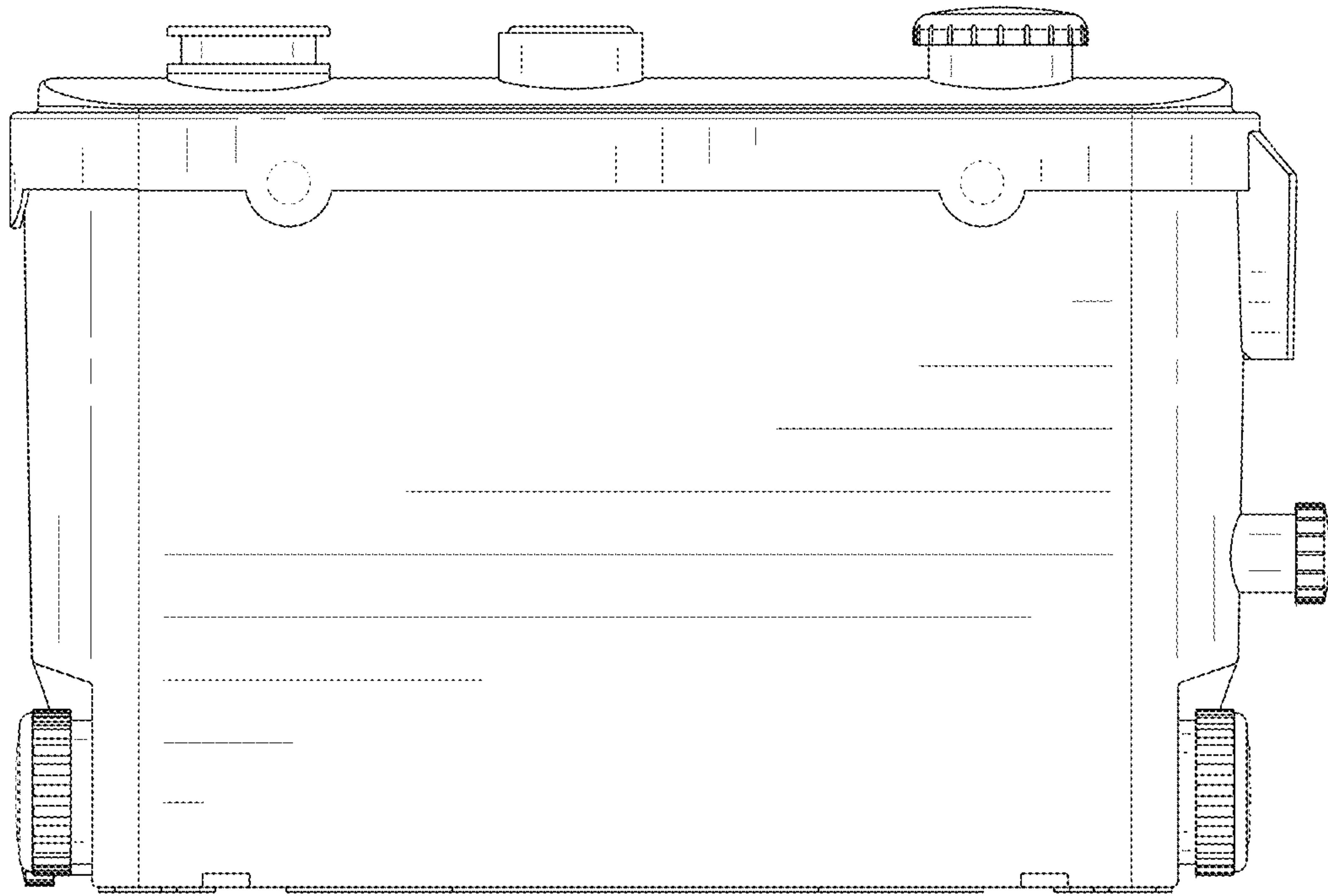


FIG.4

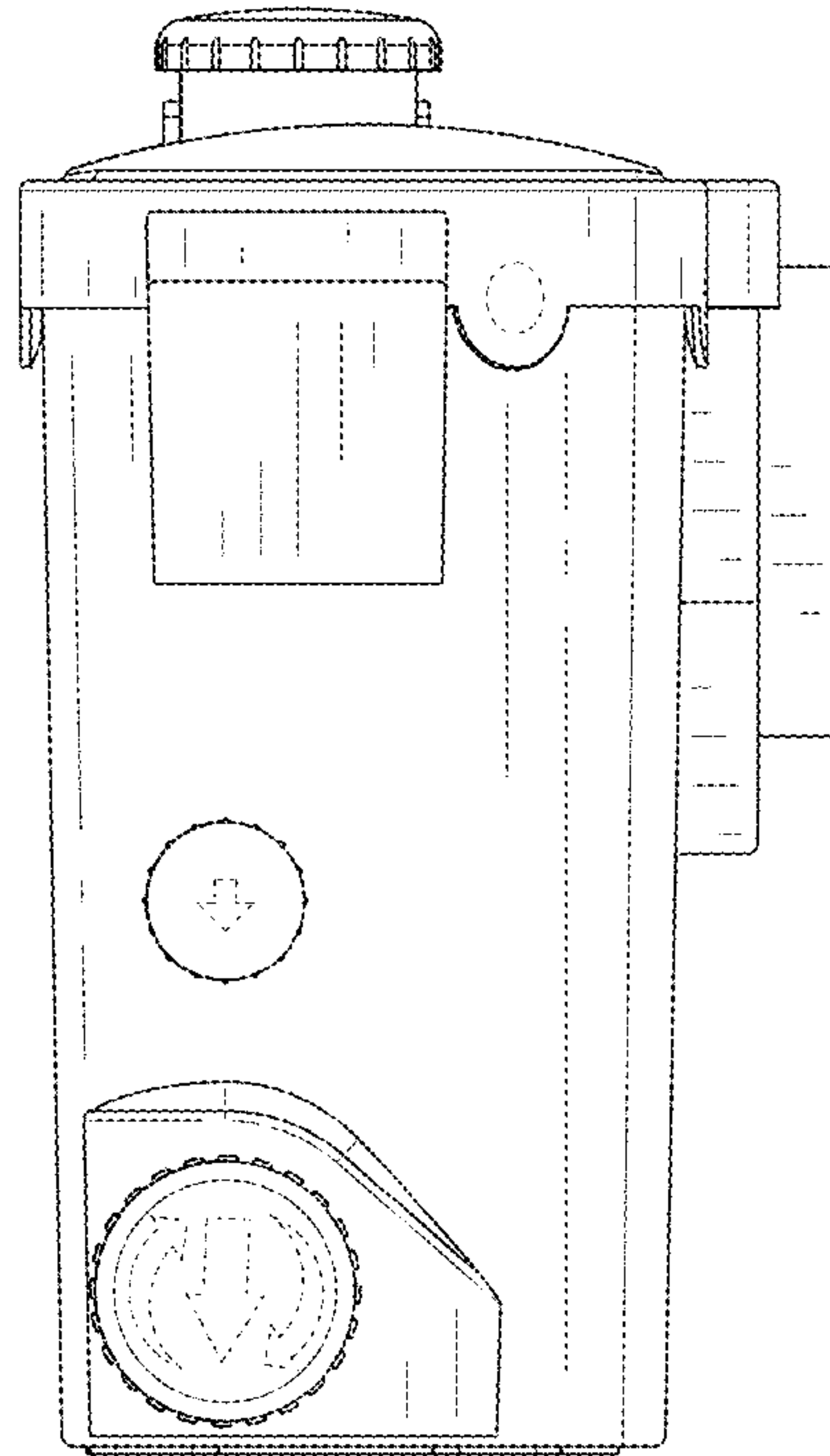


FIG.5

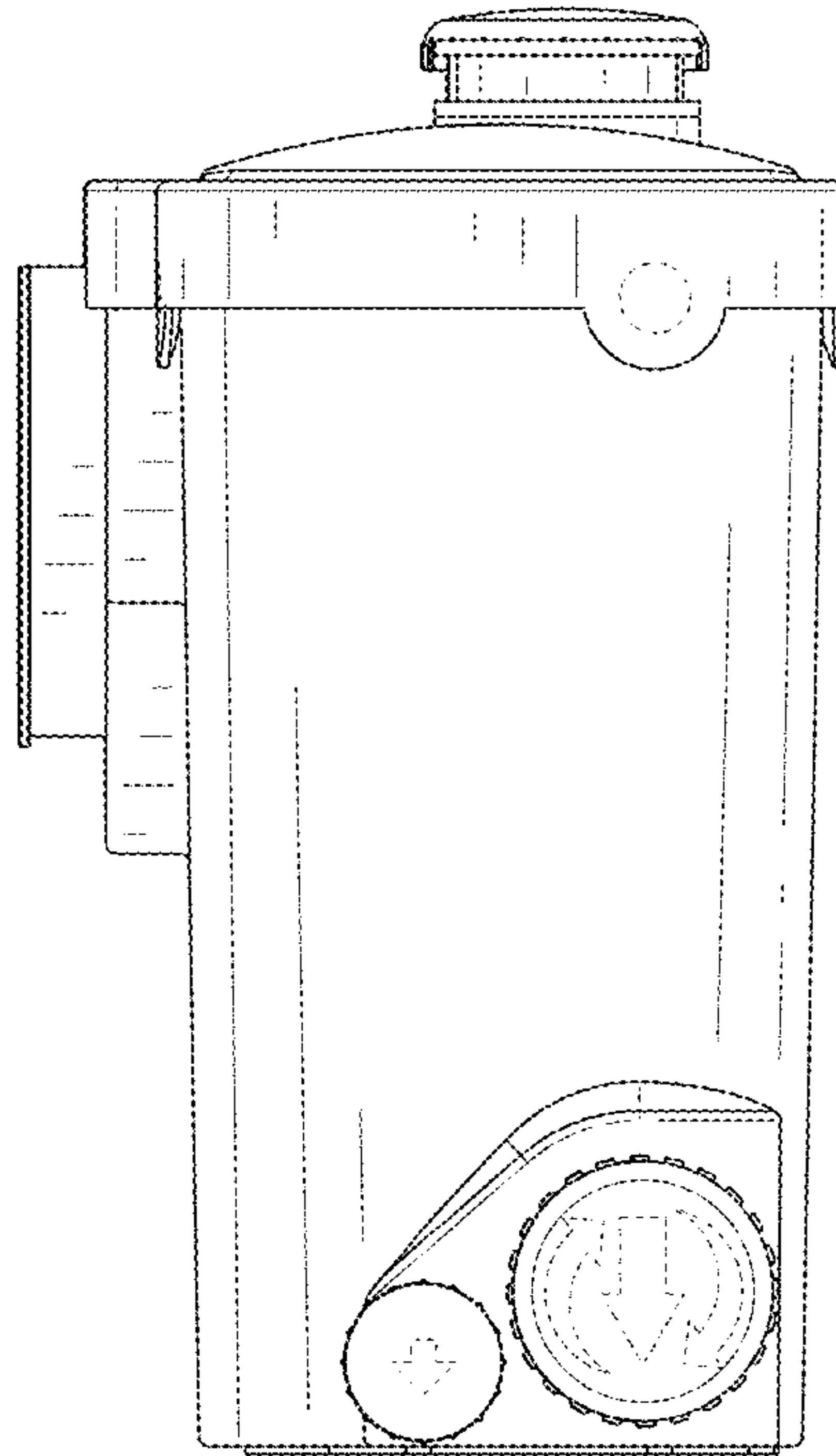


FIG.6

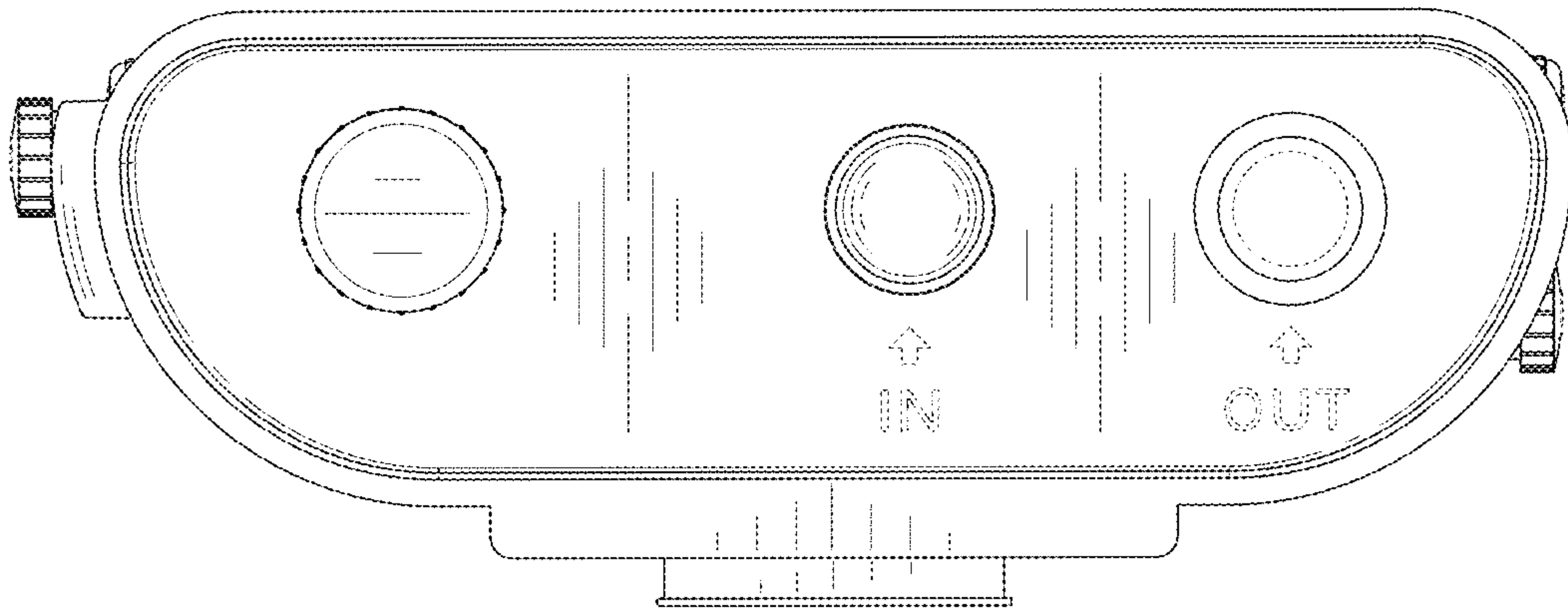


FIG.7

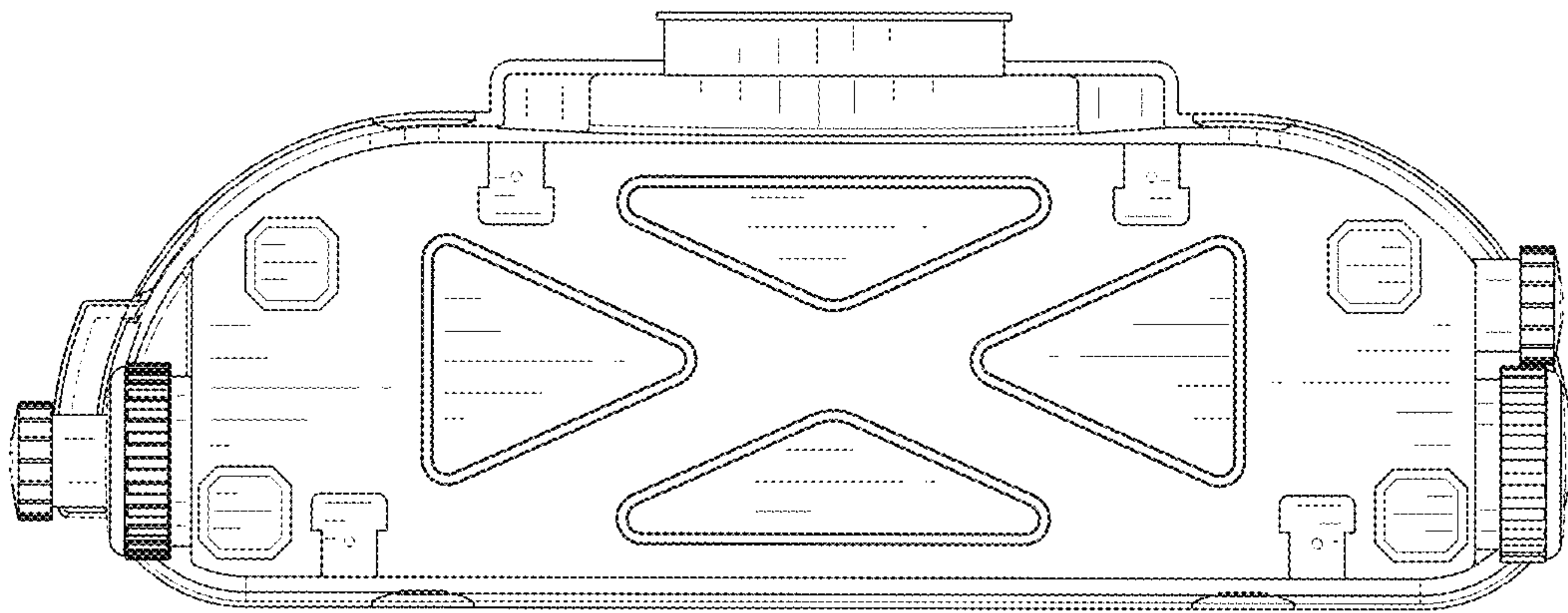


FIG.8