



US00D961600S

(12) **United States Design Patent** (10) **Patent No.:** **US D961,600 S**  
**Lin** (45) **Date of Patent:** **\*\* Aug. 23, 2022**

(54) **DATA ACCESSING DEVICE**  
(71) Applicant: **Kingston Digital, Inc.**, Fountain Valley, CA (US)  
(72) Inventor: **Yi-Ting Lin**, Hsinchu (TW)  
(73) Assignee: **Kingston Digital, Inc.**, Fountain Valley, CA (US)  
(\*\*) Term: **15 Years**  
(21) Appl. No.: **29/749,842**  
(22) Filed: **Sep. 9, 2020**  
(51) **LOC (13) Cl.** ..... **14-02**  
(52) **U.S. Cl.**  
USPC ..... **D14/480.7**  
(58) **Field of Classification Search**  
USPC ..... D14/480.1–480.7, 435.1, 411, 433, 436, D14/484.1, 137, 155, 203.1–203.8, 240, D14/242, 496, 474; D13/133, 154  
CPC ..... H05K 5/0278; G06K 19/07732  
See application file for complete search history.

D921,635 S \* 6/2021 Wu ..... D14/433  
D927,504 S \* 8/2021 Wu ..... D14/480.1  
2012/0008272 A1\* 1/2012 Lu ..... H05K 5/0278  
361/679.32

**FOREIGN PATENT DOCUMENTS**

TW D192432 8/2018  
TW D193977 11/2018

**OTHER PUBLICATIONS**

Allowance notice to the corresponding Taiwan Patent Application rendered on Jul. 15, 2021, 3 pages.

\* cited by examiner

*Primary Examiner* — Angela J Lee  
(74) *Attorney, Agent, or Firm* — Skaar Ulbrich Macari, P.A.

(57) **CLAIM**

I claim the ornamental design for a data accessing device, as shown and described.

**DESCRIPTION**

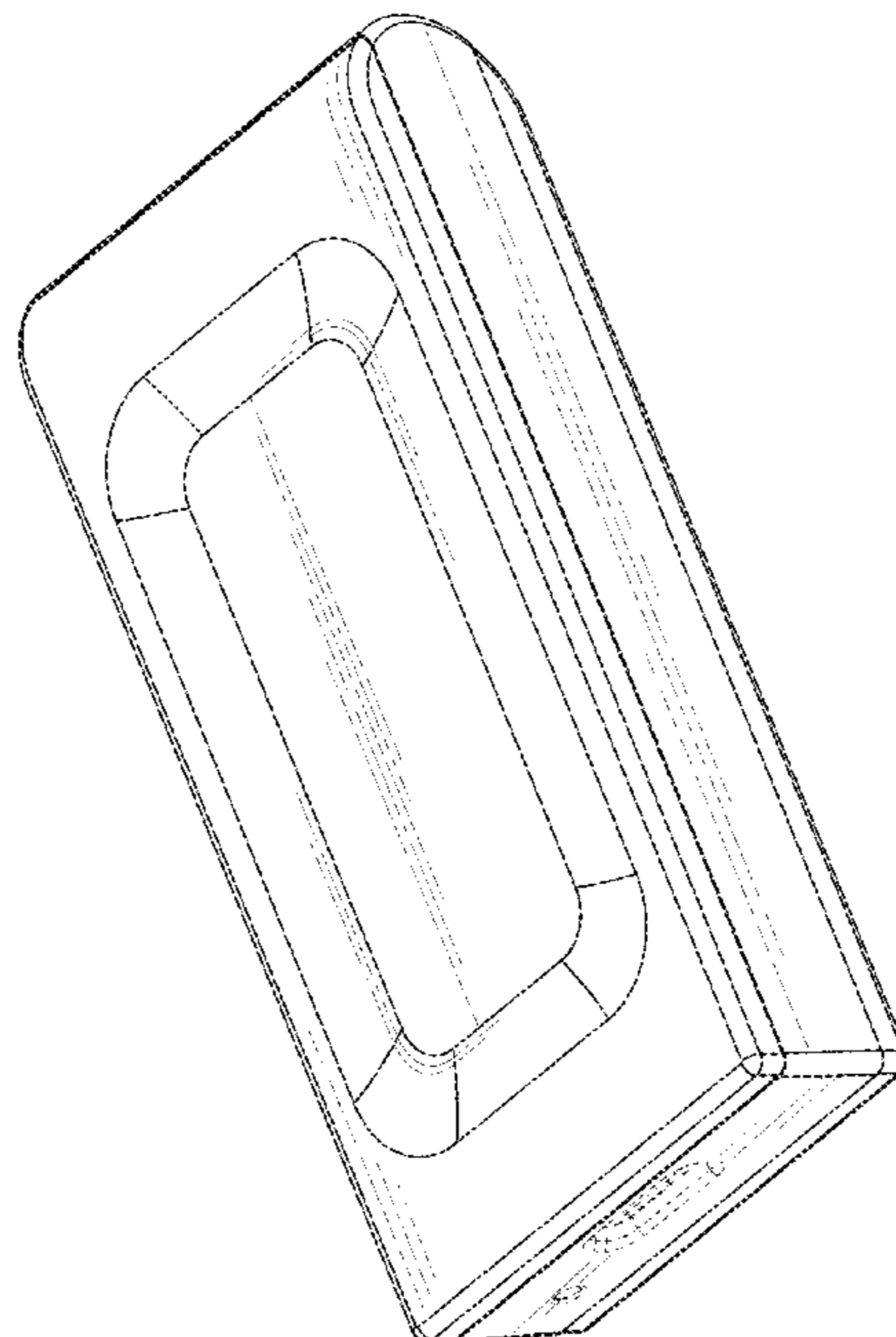
FIG. 1 is a left top perspective view of a first embodiment of a data accessing device showing the claimed design; FIG. 2 is left bottom perspective view thereof; FIG. 3 is a front elevational view of thereof; FIG. 4 is a rear elevational view of thereof; FIG. 5 is a left side elevational view of thereof; FIG. 6 is a right side elevational view of thereof; FIG. 7 is a top plan view of thereof; and, FIG. 8 is a bottom plan view of thereof. The broken lines show portions of the data accessing device that form no part of the claimed design.

**1 Claim, 6 Drawing Sheets**

(56) **References Cited**

**U.S. PATENT DOCUMENTS**

D511,519 S \* 11/2005 Bone ..... D14/480.1  
D602,941 S \* 10/2009 Lo ..... D14/480.7  
D611,944 S \* 3/2010 Kujawski ..... D14/435.1  
D618,226 S \* 6/2010 Tong ..... D14/242  
D621,831 S \* 8/2010 Whitcomb ..... D10/103  
D631,884 S \* 2/2011 Klein ..... D14/435.1  
D635,142 S \* 3/2011 Borislow ..... D14/435.1  
D669,904 S \* 10/2012 Ni ..... D14/480.7  
D717,309 S \* 11/2014 Govindarajan ..... D14/480.6  
D737,701 S \* 9/2015 Payne ..... D10/78  
D803,841 S \* 11/2017 Kim ..... D14/480.1  
D864,213 S \* 10/2019 Yang ..... D14/480.5



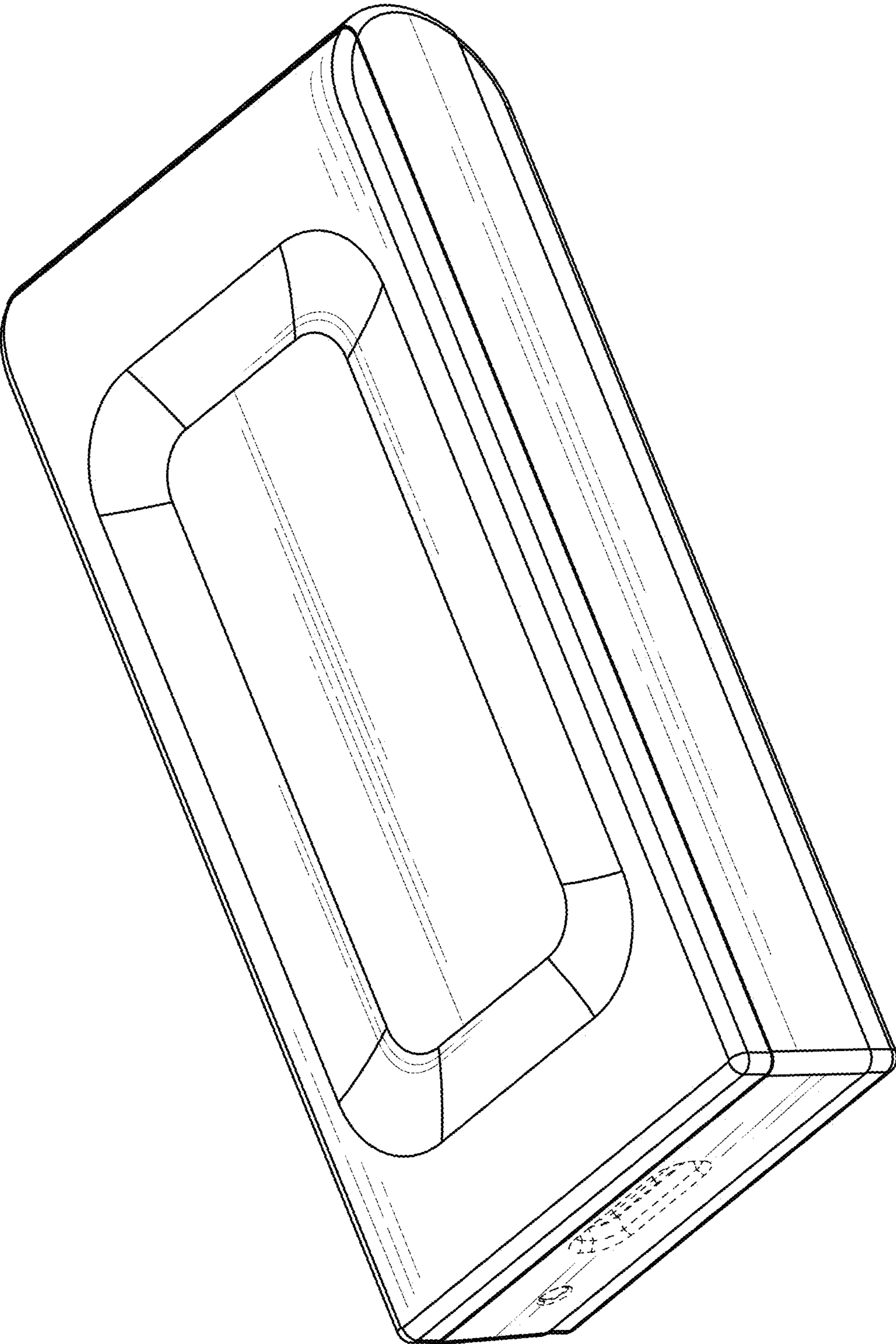


FIG. 1

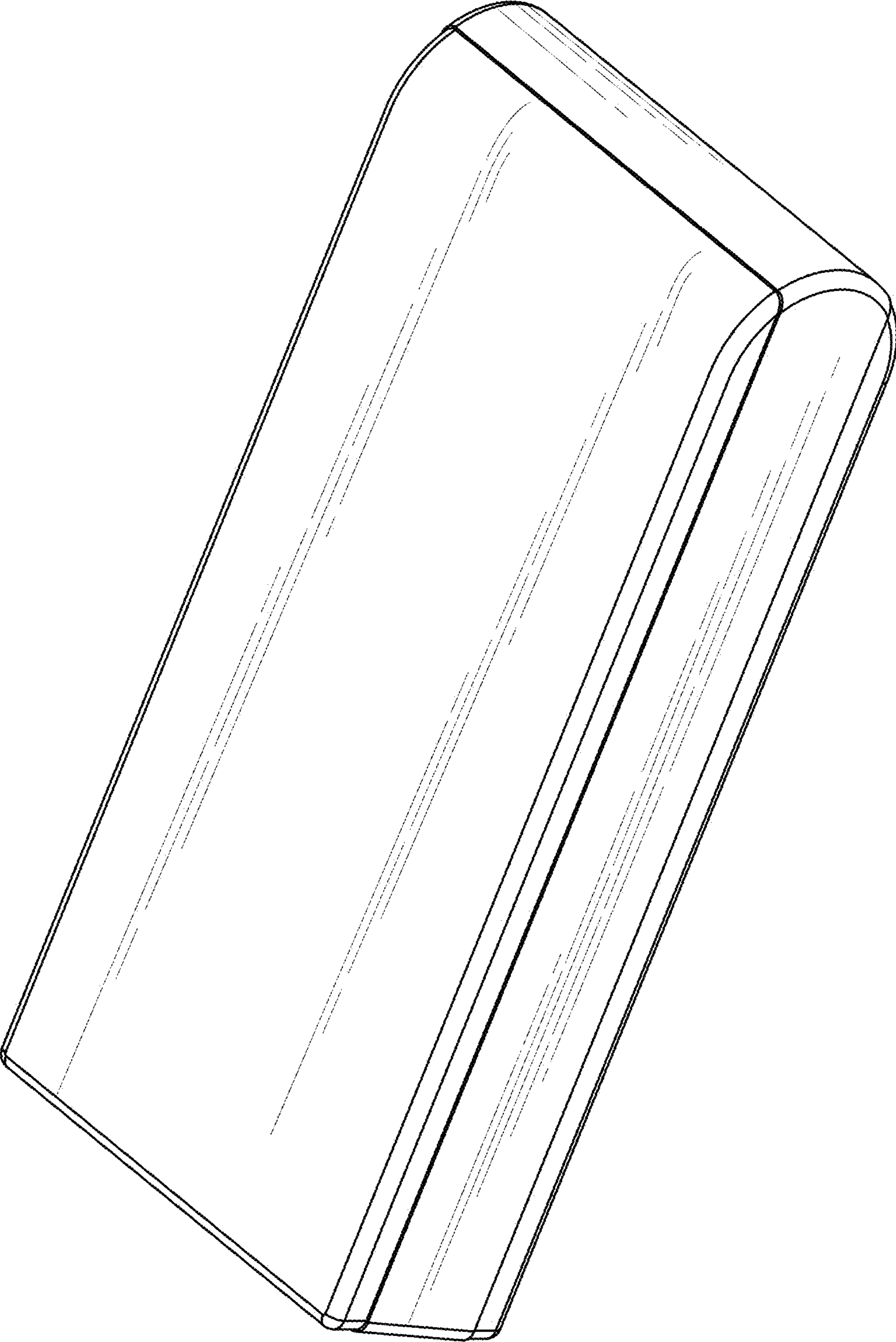


FIG. 2

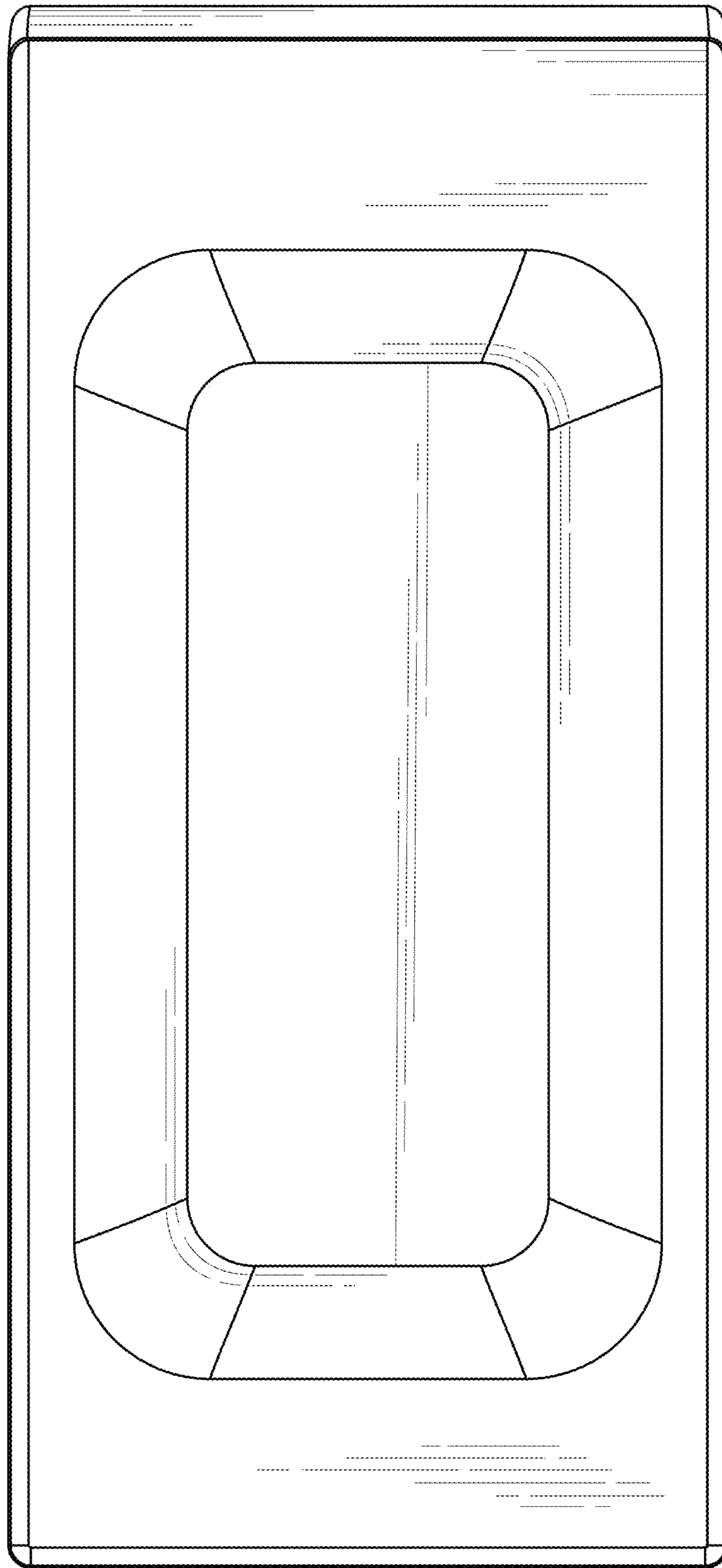


FIG. 3



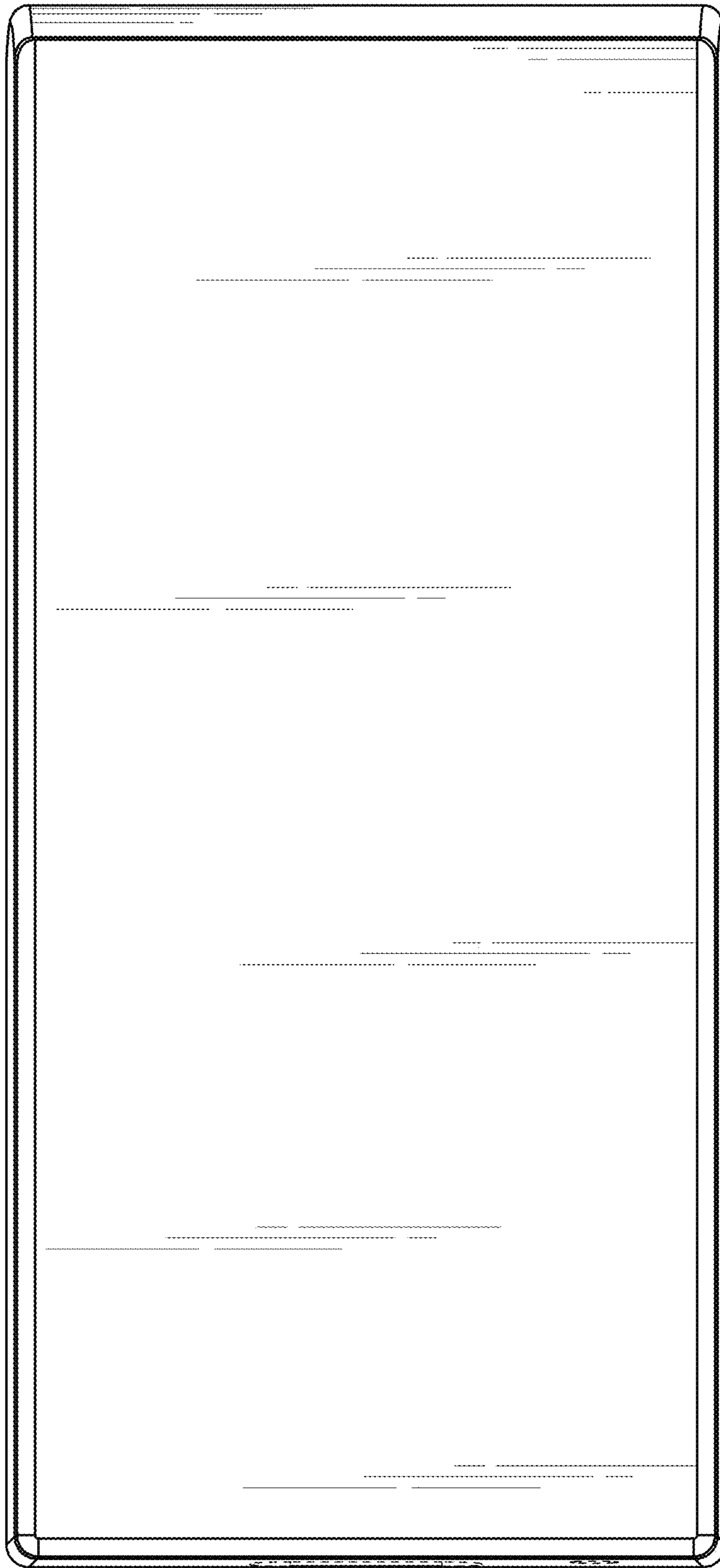


FIG. 4

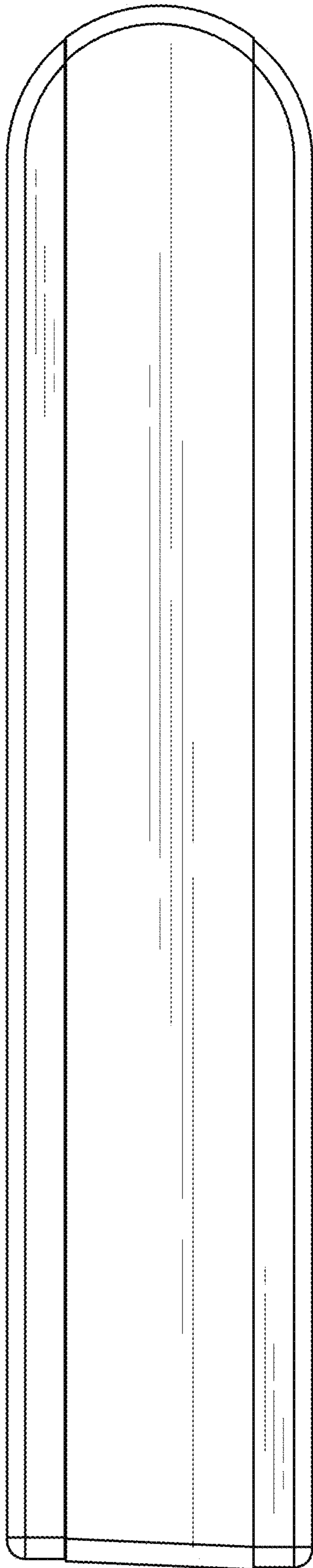


FIG. 5

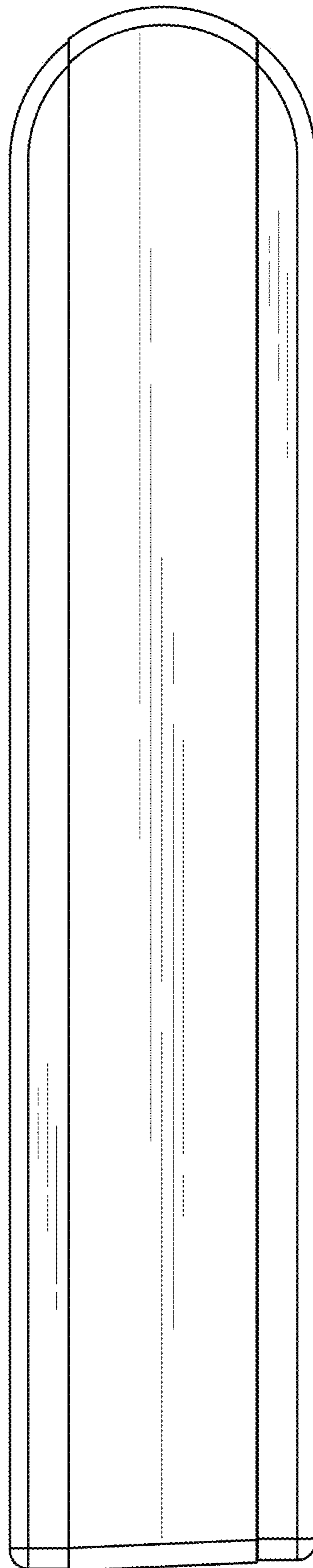


FIG. 6

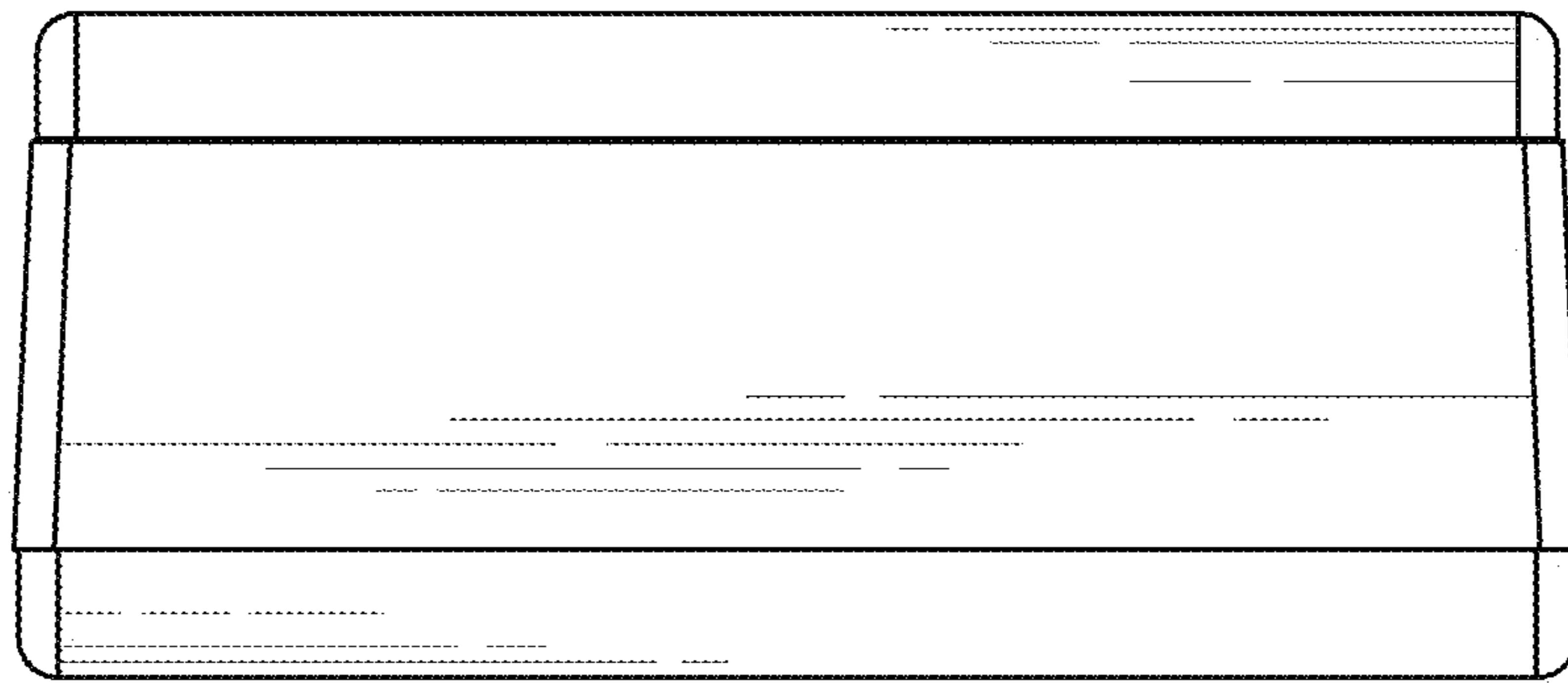


FIG. 7

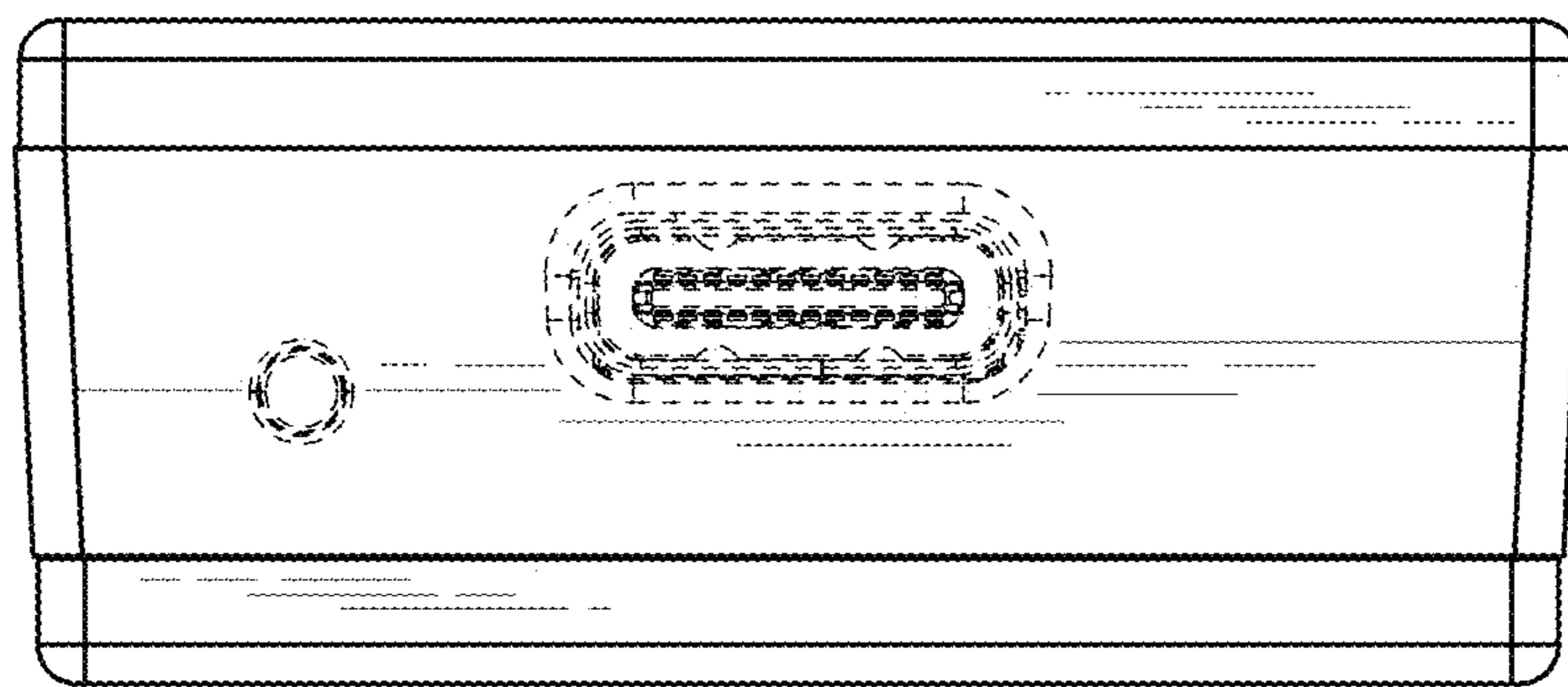


FIG. 8