



US00D961599S

(12) **United States Design Patent** (10) **Patent No.:** **US D961,599 S**
Lee et al. (45) **Date of Patent:** **** Aug. 23, 2022**

(54) **STAND FOR MONITOR**
(71) Applicant: **LG ELECTRONICS INC., Seoul (KR)**
(72) Inventors: **Eunbong Lee, Seoul (KR); Daihyung Ryu, Seoul (KR)**
(73) Assignee: **LG ELECTRONICS INC., Seoul (KR)**

D809,519 S * 2/2018 Jung D14/452
D815,105 S * 4/2018 Jung D14/452
D815,624 S * 4/2018 Davis D14/239
D848,444 S * 5/2019 Jung D14/452
D921,645 S * 6/2021 Shu D14/452
D922,364 S * 6/2021 Shu D14/239
D926,196 S * 7/2021 Lyu D14/452
D928,793 S * 8/2021 Shu D14/452
2013/0009034 A1 * 1/2013 Fallows F16M 11/2092
248/575
2019/0025877 A1 * 1/2019 Grisack G06F 1/1605
2020/0191321 A1 * 6/2020 Kleist F16M 11/10

(**) Term: **15 Years**

(21) Appl. No.: **35/511,803**
(22) Filed: **Nov. 3, 2020**

(80) **Hague Agreement Data**
Int. Filing Date: **Nov. 3, 2020**
Int. Reg. No.: **DM/211220**
Int. Reg. Date: **Nov. 3, 2020**
Int. Reg. Pub. Date: **May 7, 2021**

(30) **Foreign Application Priority Data**
May 20, 2020 (KR) 30-2020-0022093

(51) **LOC (13) Cl.** **14-02**
(52) **U.S. Cl.**

USPC **D14/452**
(58) **Field of Classification Search**
USPC D14/125-129, 132, 239, 336, 341,
D14/373-377, 380, 447, 451; D24/185,
D24/186; D15/199
CPC G06F 1/1601; G06F 1/1609
See application file for complete search history.

(56) **References Cited**
U.S. PATENT DOCUMENTS

D314,505 S * 2/1991 Chen D8/380
D435,107 S * 12/2000 Blair D24/186
D598,917 S * 8/2009 Luber D14/452
D651,199 S * 12/2011 Huang D14/239
D807,895 S * 1/2018 Won D14/452

OTHER PUBLICATIONS

Maxtand Gives Your Laptop an Infinitely Adjustable Pro Stand, publication date Nov. 15, 2019, [online] URL: <https://www.yankodesign.com/2019/11/15/maxtand-gives-your-laptop-an-infinitely-adjustable-pro-stand-without-costing-1500/> (Year: 2019).*
Cerebro by Teknion, desk set including monitor arm longlist for Dezeen award longlist 2020, publication date Sep. 25, 2020 (verified by Wayback Machine at archive.org), [online] URL: <https://www.dezeen.com/awards/2020/longlists/cerebro/> (Year: 2020).*

* cited by examiner

Primary Examiner — L. A. Grabenstetter
(74) *Attorney, Agent, or Firm* — Birch, Stewart, Kolasch & Birch, LLP

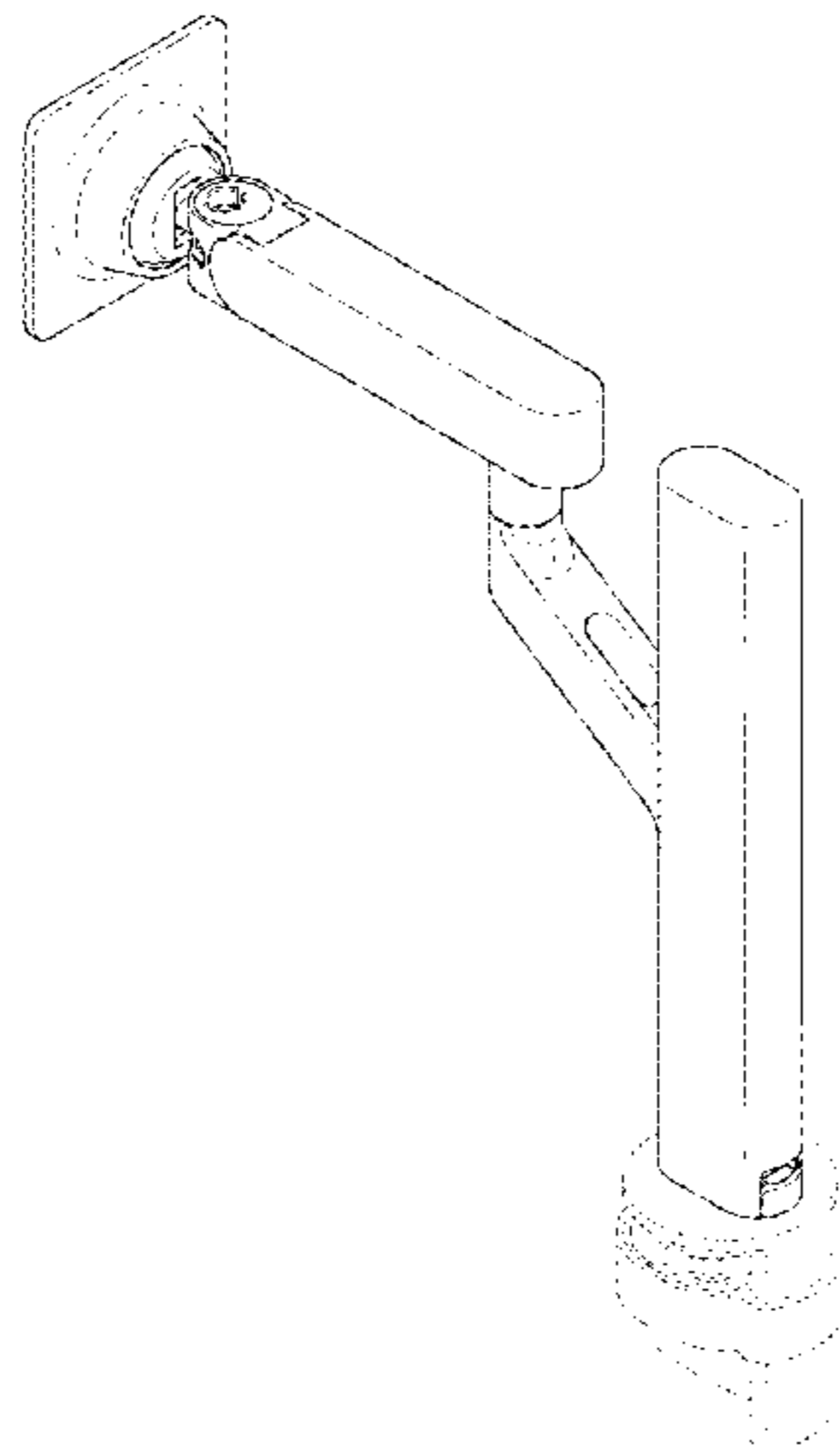
(57) **CLAIM**

The ornamental design for a stand for monitor, as shown and described.

DESCRIPTION

- 1. Stand for monitor
- 1.1 : Perspective view of the stand for monitor showing our new design
- 1.2 : Front view thereof
- 1.3 : Back view thereof
- 1.4 : Left view thereof
- 1.5 : Right view thereof
- 1.6 : Top view thereof
- 1.7 : Bottom view thereof

(Continued)



1.8 : Second perspective view, shown in a first alternative position, and in a condition of use with an unclaimed monitor

1.9 : Third perspective view, shown in a second alternative position, and in a condition of use with an unclaimed monitor

1.10 : Fourth perspective view, shown in a third alternative position, and in a condition of use with an unclaimed monitor

1.11 : Fifth perspective view, shown in a fourth alternative position, and in a condition of use with an unclaimed monitor

1.12 : Sixth perspective view, shown in a fifth alternative position, and in a condition of use with an unclaimed monitor

1.13 : Seventh perspective view, shown in a sixth alternative position, and in a condition of use with an unclaimed monitor

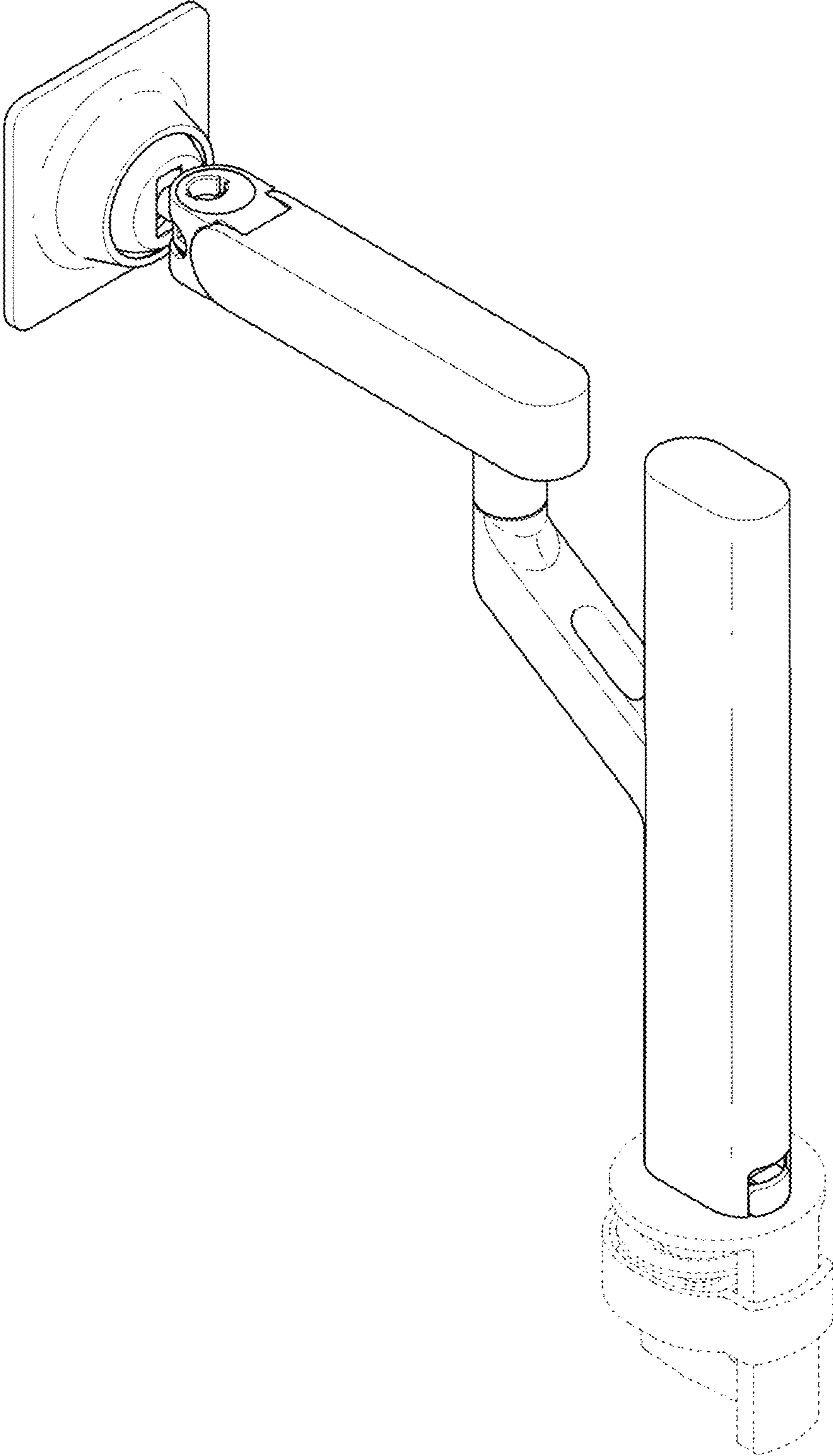
1.14 : Eighth perspective view, shown in a seventh alternative position, and in a condition of use with an unclaimed monitor

1.15 : Ninth perspective view, shown in a eighth alternative position, and in a condition of use with an unclaimed monitor

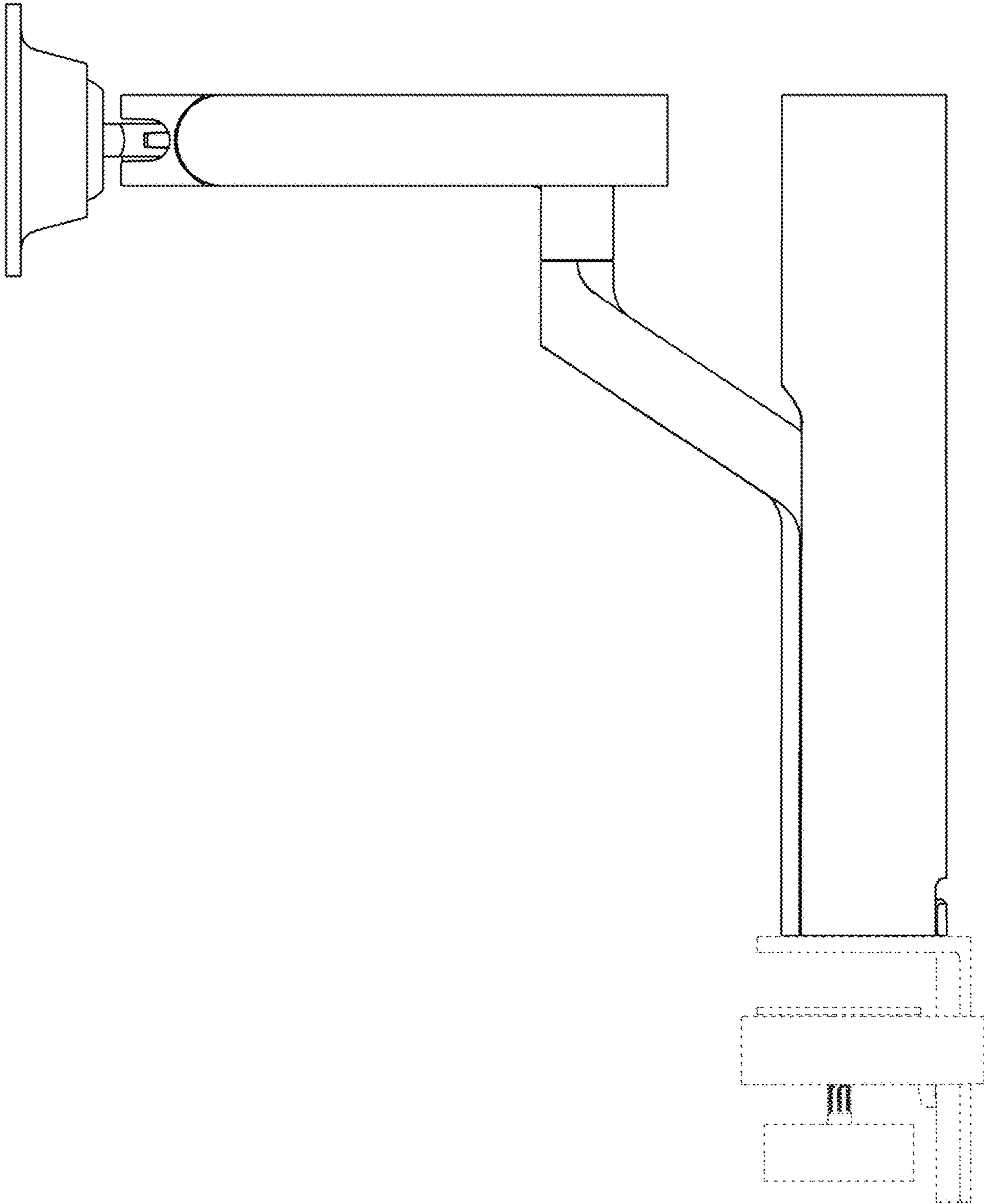
The broken lines depicting portions of the article in reproductions **1.1-1.15** represent features that form no part of the claimed design. The broken lines depicting a monitor in reproductions **1.8-1.15** represent environmental subject matter that forms no part of the claimed design.

1 Claim, 15 Drawing Sheets

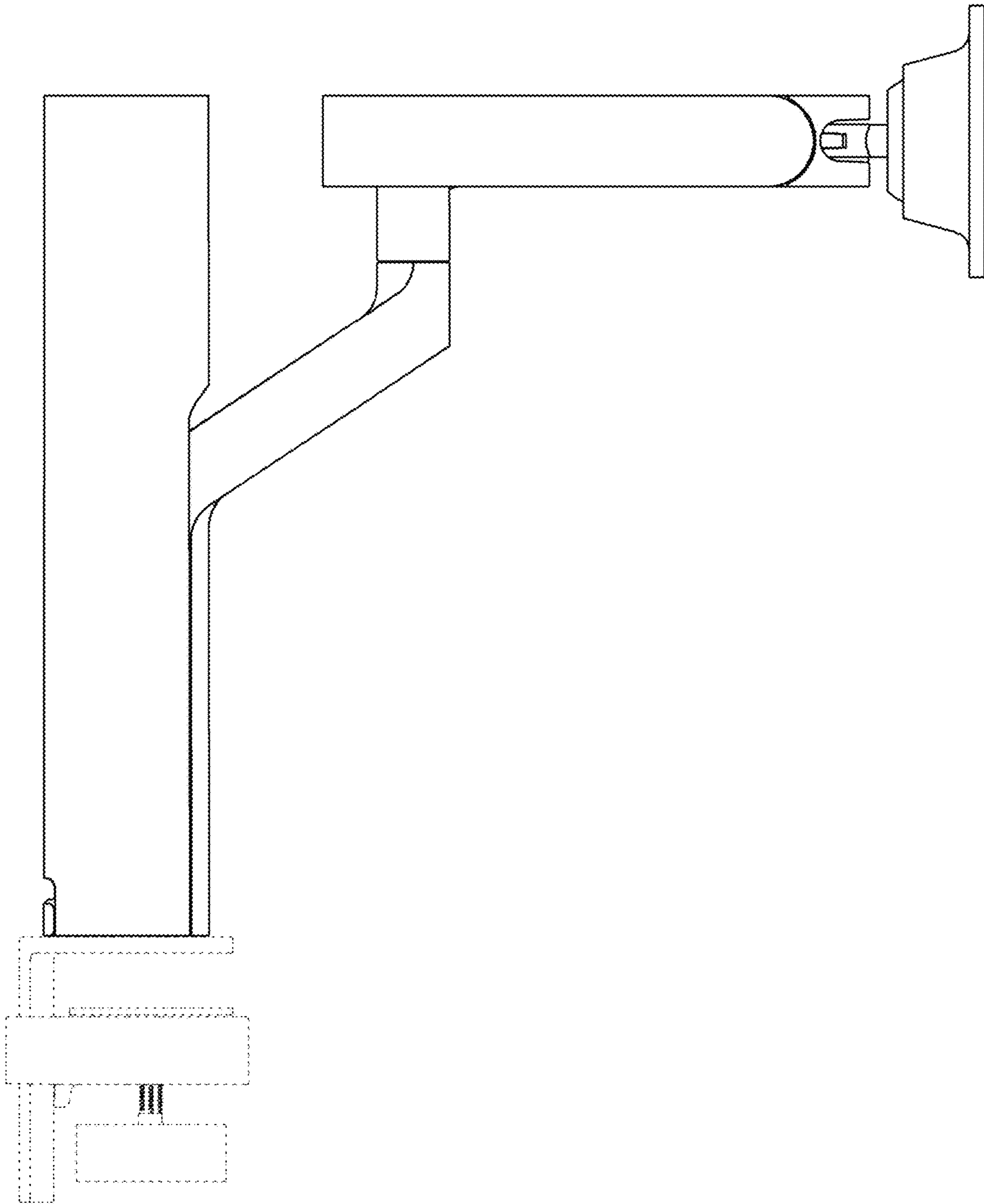
1.1



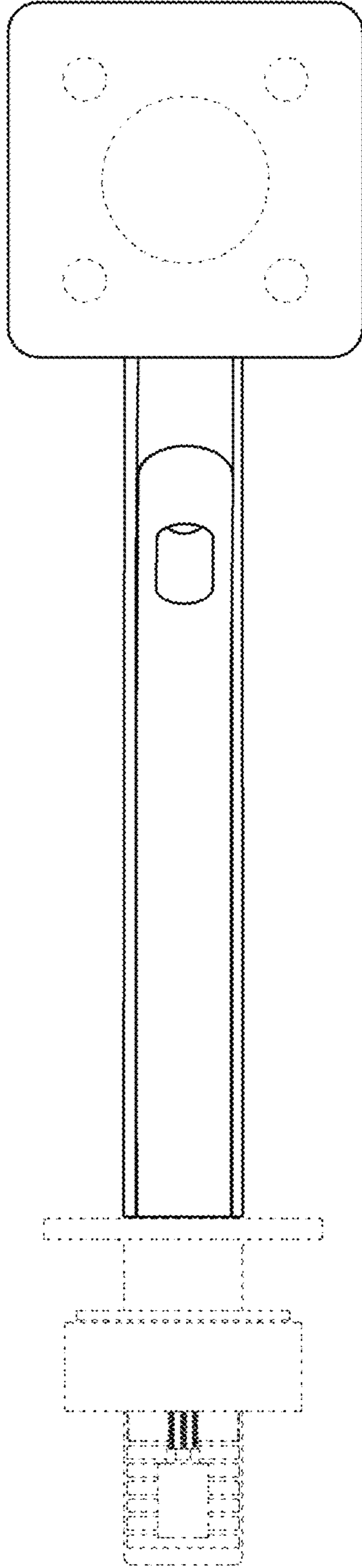
1.2



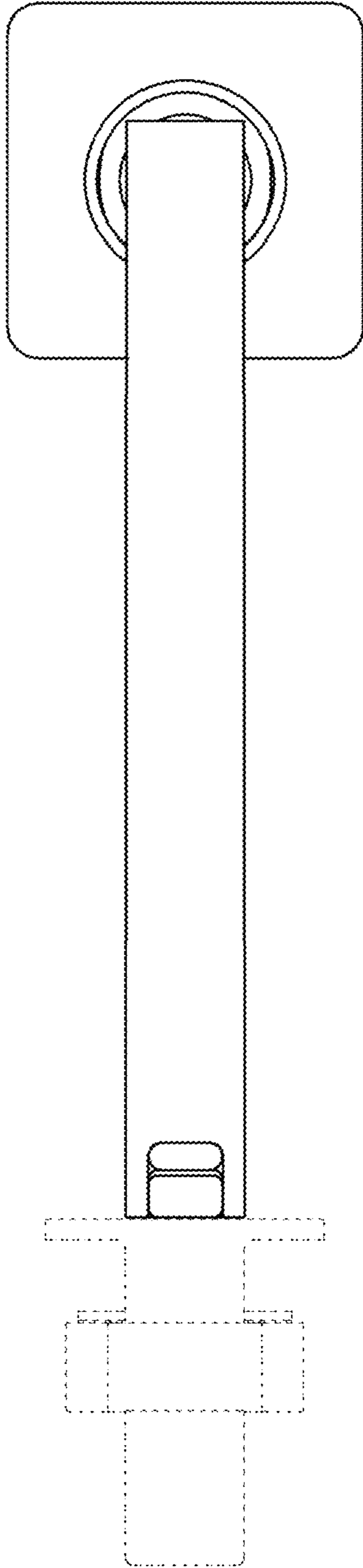
1.3



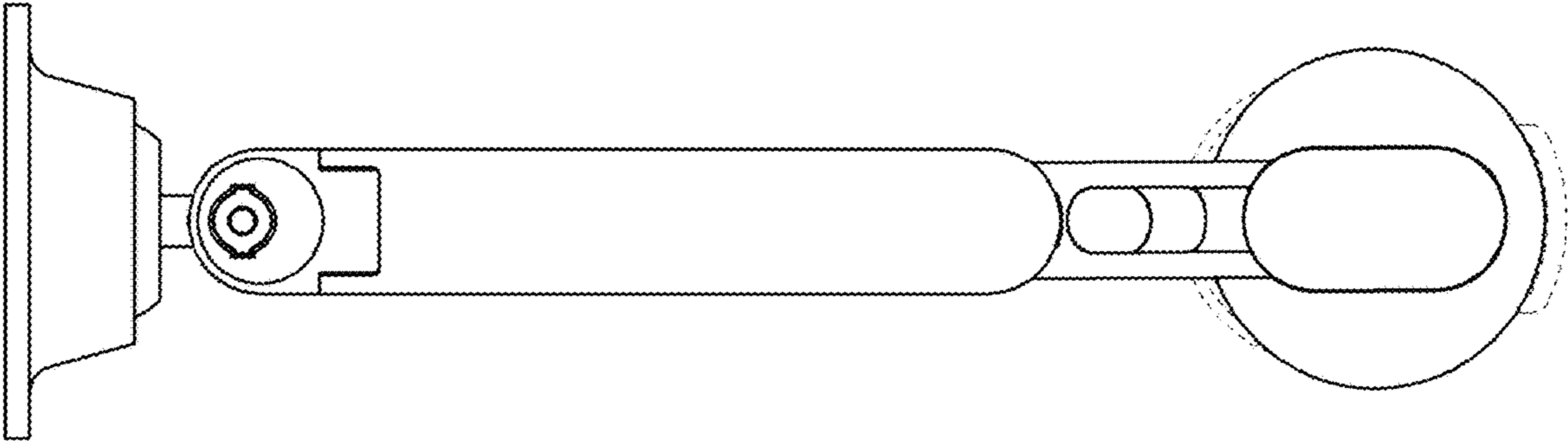
1.4



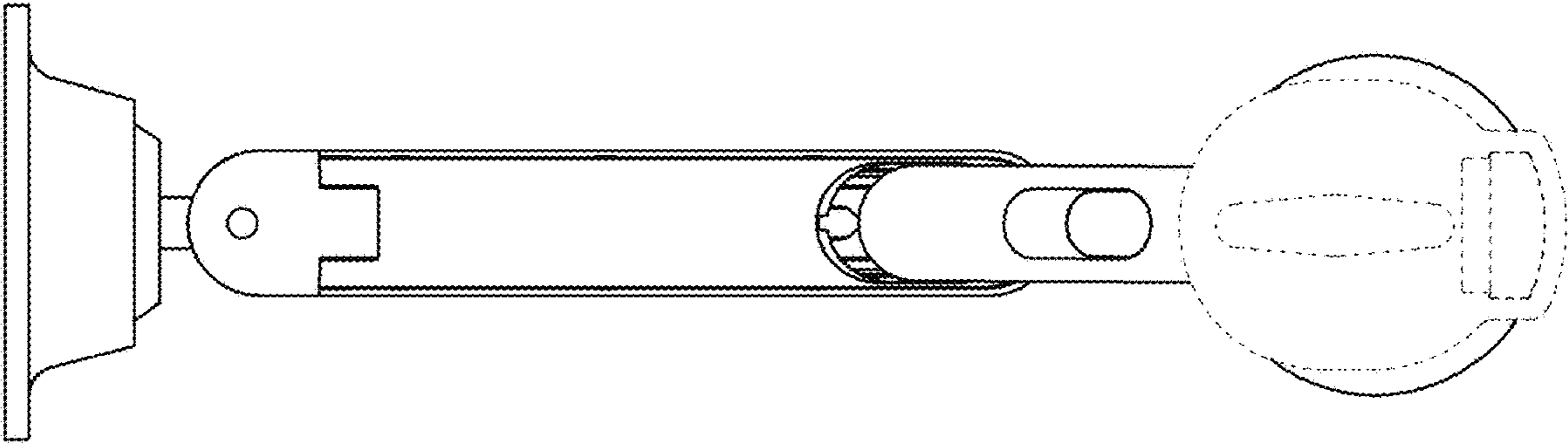
1.5



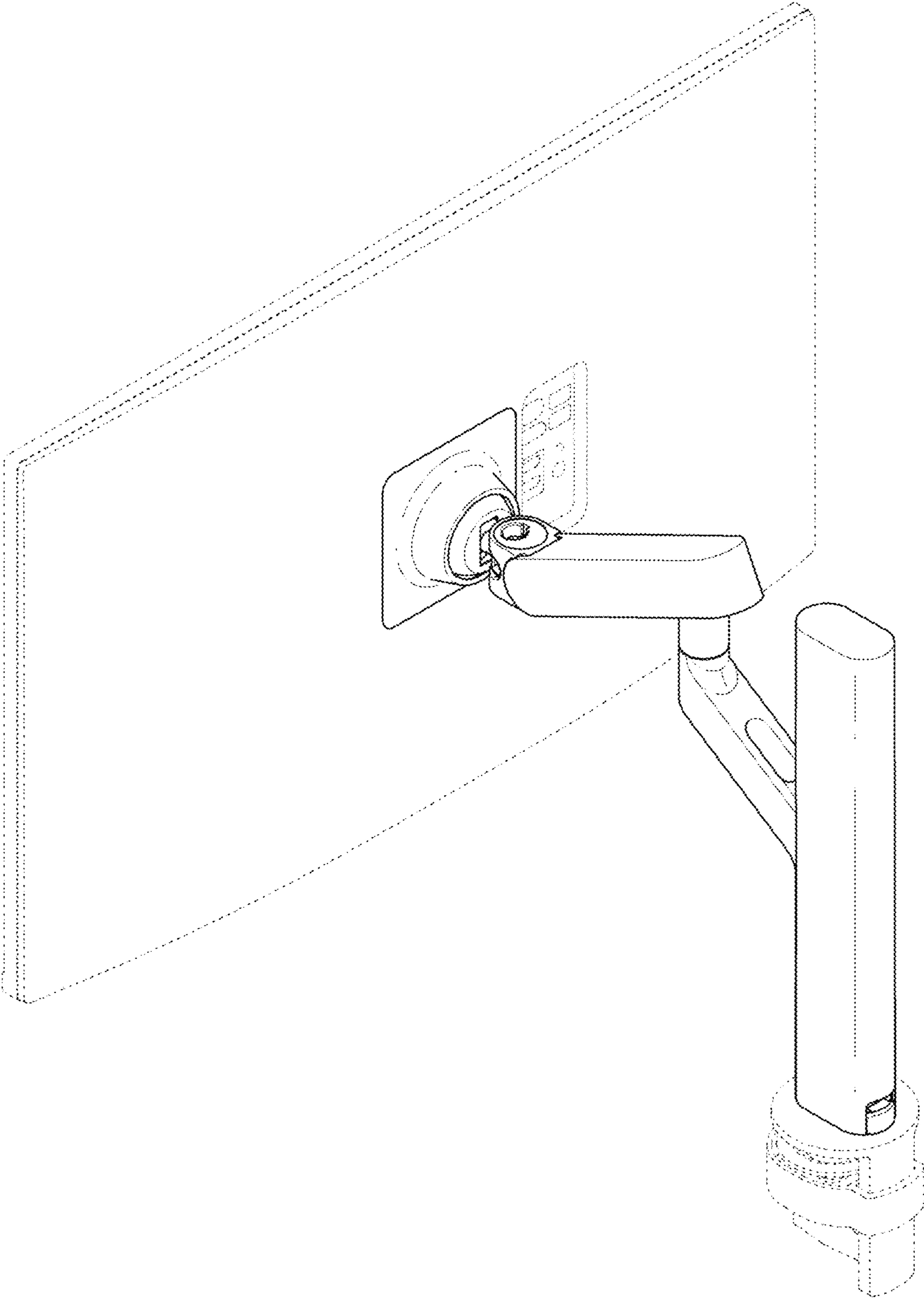
1.6



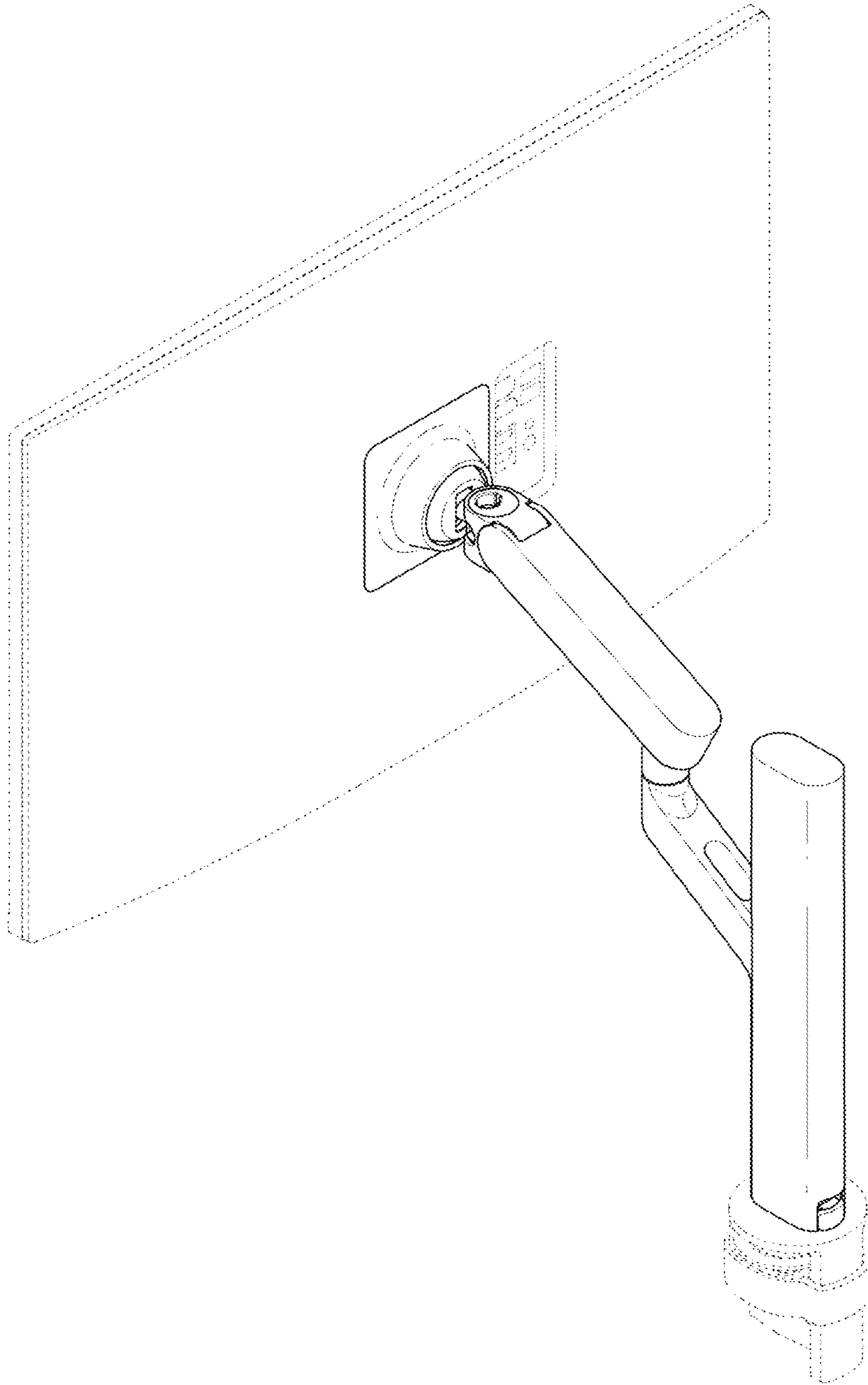
1.7



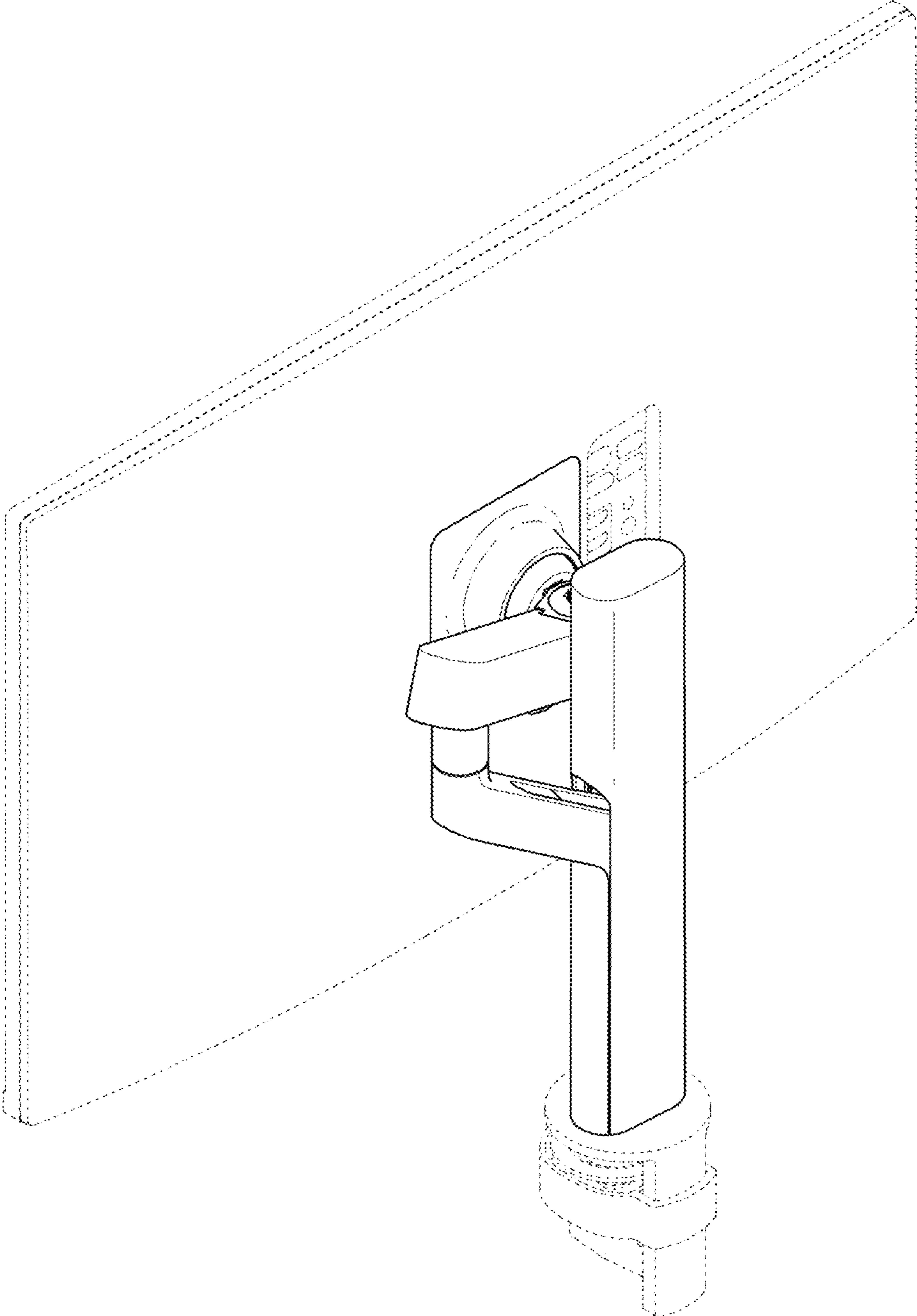
1.8



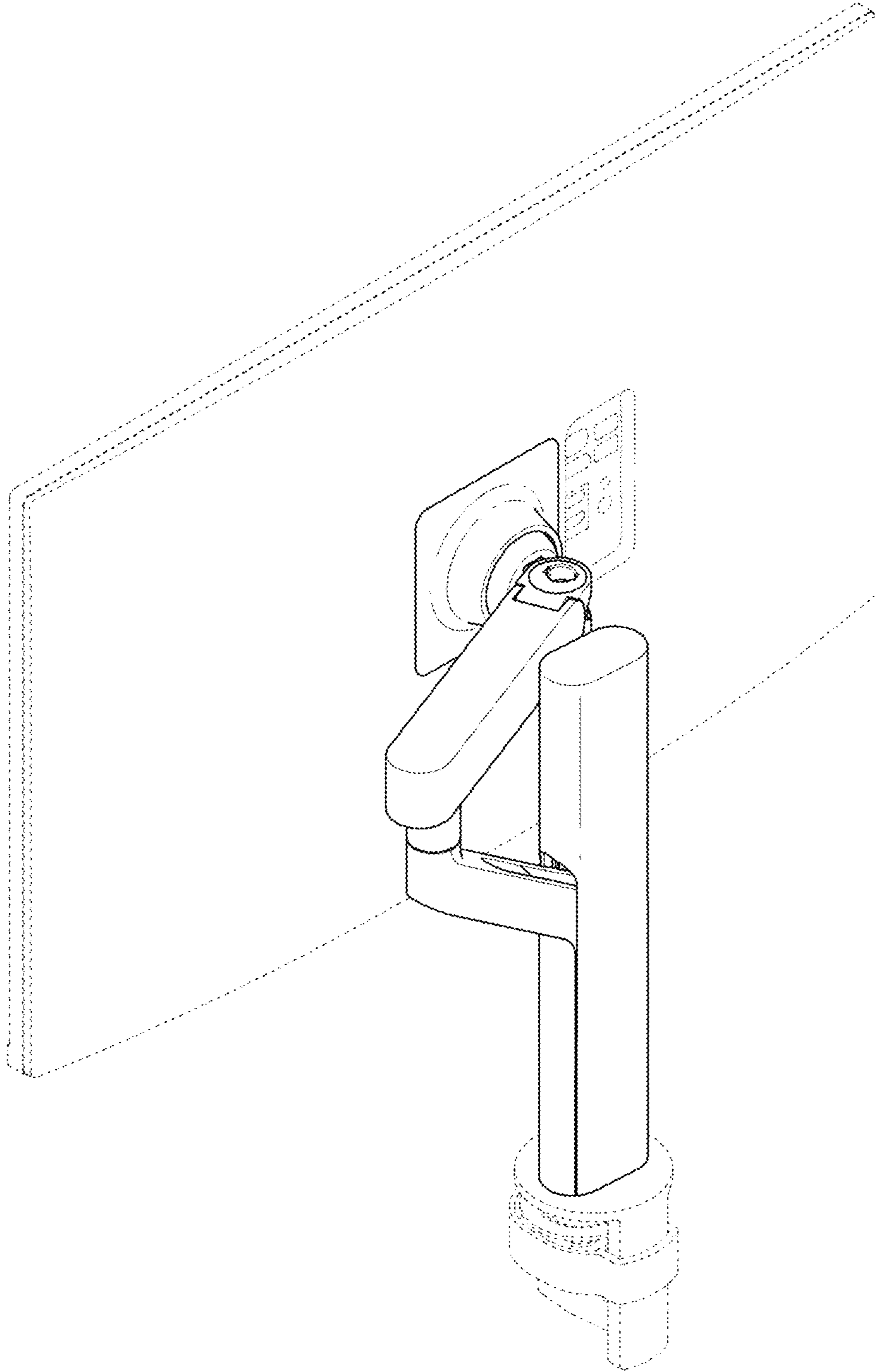
1.9



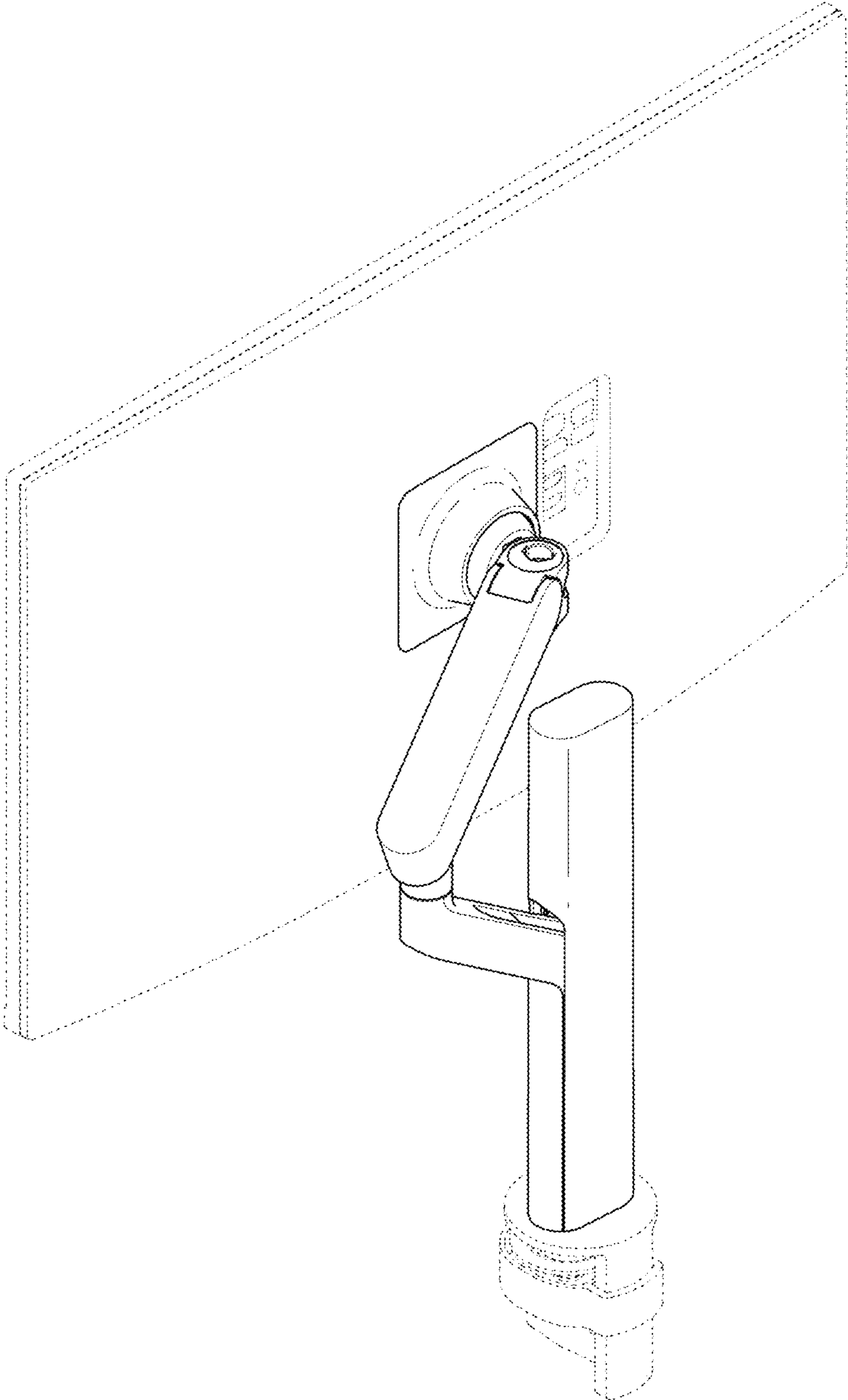
1.10



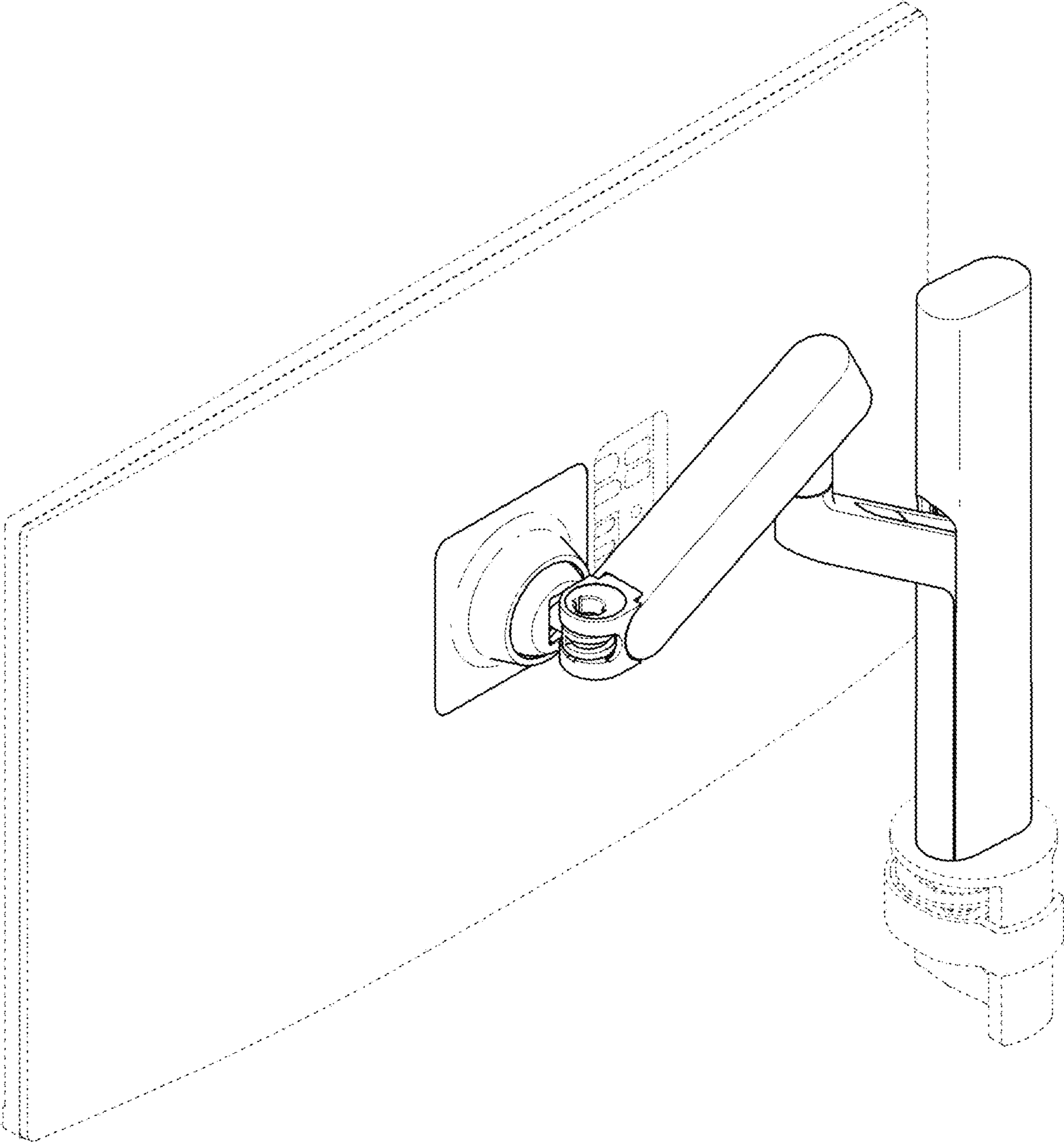
1.11



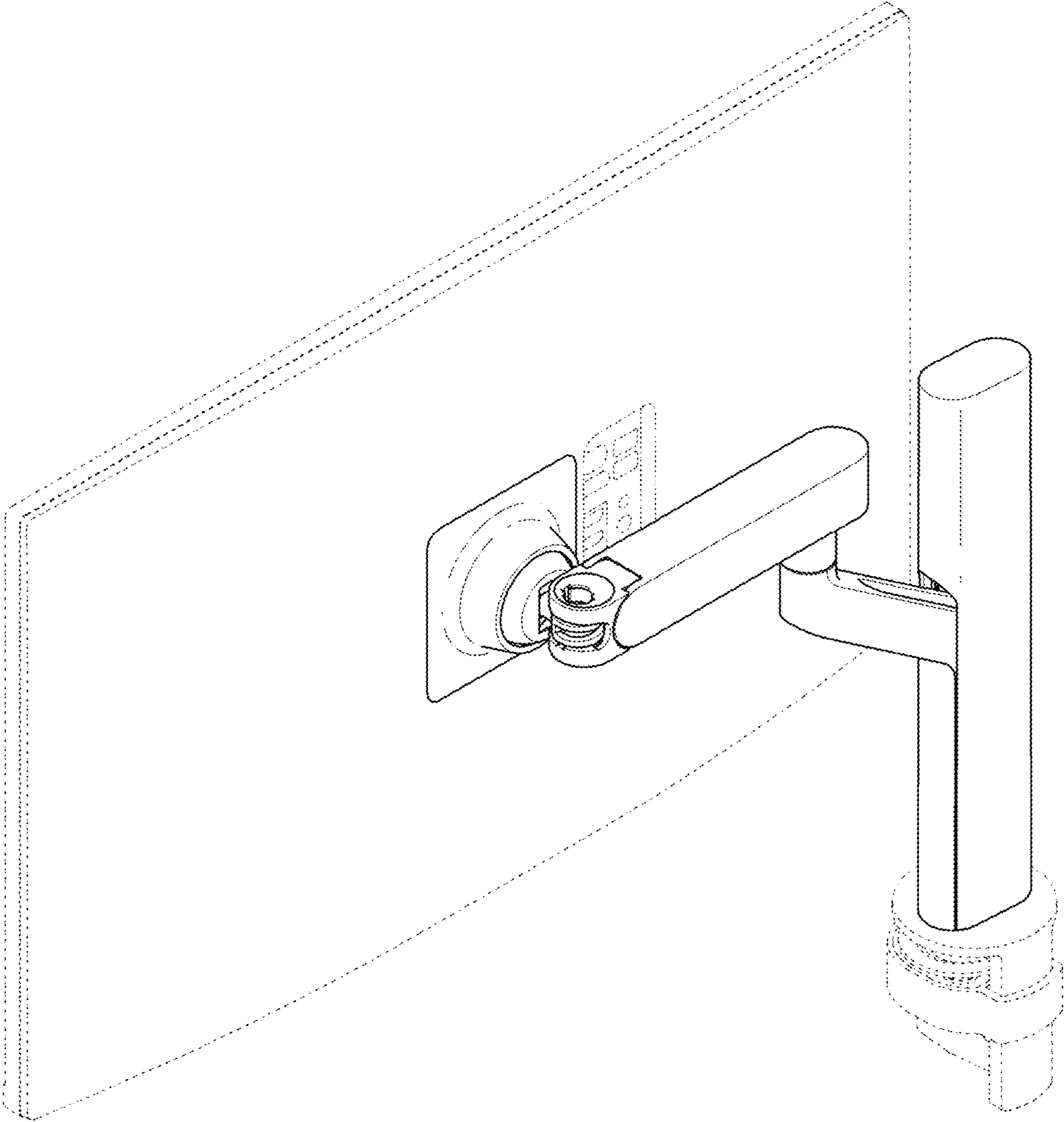
1.12



1.13



1.14



1.15

