



US00D961594S

(12) **United States Design Patent**
Hill et al.

(10) **Patent No.:** **US D961,594 S**
(45) **Date of Patent:** **** Aug. 23, 2022**

(54) **BATTERY FOR AN ELECTRONIC DEVICE**

- (71) Applicant: **Apple Inc.**, Cupertino, CA (US)
- (72) Inventors: **Matthew David Hill**, Santa Clara, CA (US); **Dale T. Morgan**, San Jose, CA (US); **James B. Smith**, San Carlos, CA (US); **Ian Spraggs**, San Francisco, CA (US)
- (73) Assignee: **Apple Inc.**, Cupertino, CA (US)
- (**) Term: **15 Years**
- (21) Appl. No.: **29/648,095**
- (22) Filed: **May 18, 2018**

Related U.S. Application Data

- (63) Continuation of application No. 29/613,506, filed on Aug. 10, 2017, now Pat. No. Des. 831,025.
- (51) **LOC (13) Cl.** **14-02**
- (52) **U.S. Cl.**
USPC **D14/432; D14/439**
- (58) **Field of Classification Search**
USPC D14/138 AA, 138 AB, 138 AC, 138 AD, D14/138 C, 138 G, 248, 315-318,
(Continued)

(56) **References Cited**

U.S. PATENT DOCUMENTS

- D310,367 S 9/1990 Dockery
 - D320,649 S 10/1991 Fleming
- (Continued)

FOREIGN PATENT DOCUMENTS

- CN 303275229 * 7/2015
 - CN 304227968 * 8/2017
- (Continued)

OTHER PUBLICATIONS

Apple temporarily drops price of iPhone battery replacement . . . , Dec. 28, 2017, [retrieved Sep. 9, 2021], Retrieved from Internet, URL: <https://9to5mac.com/2017/12/28/apple-temporarily-drops-price-of-iphone-battery-replacement-by-50-promises-ios-update-to-address-battery-health-in-new-apology/> (Year: 2017).*

(Continued)

Primary Examiner — Barbara Fox

Assistant Examiner — Aram Kwon

(74) *Attorney, Agent, or Firm* — Sterne, Kessler, Goldstein & Fox P.L.L.C.

(57) **CLAIM**

The ornamental design for a battery for an electronic device, as shown and described.

DESCRIPTION

FIG. 1 is a bottom front perspective view of a first embodiment of a battery for an electronic device showing the claimed design;

FIG. 2 is a top rear perspective view thereof;

FIG. 3 is a front view thereof;

FIG. 4 is a rear view thereof;

FIG. 5 is a left side view thereof;

FIG. 6 is a right side view thereof;

FIG. 7 is a top view thereof;

FIG. 8 is a bottom view thereof;

FIG. 9 is a bottom front perspective view of a second embodiment of a battery for an electronic device showing the claimed design;

FIG. 10 is a top rear perspective view thereof;

FIG. 11 is a front view thereof;

FIG. 12 is a rear view thereof;

FIG. 13 is a left side view thereof;

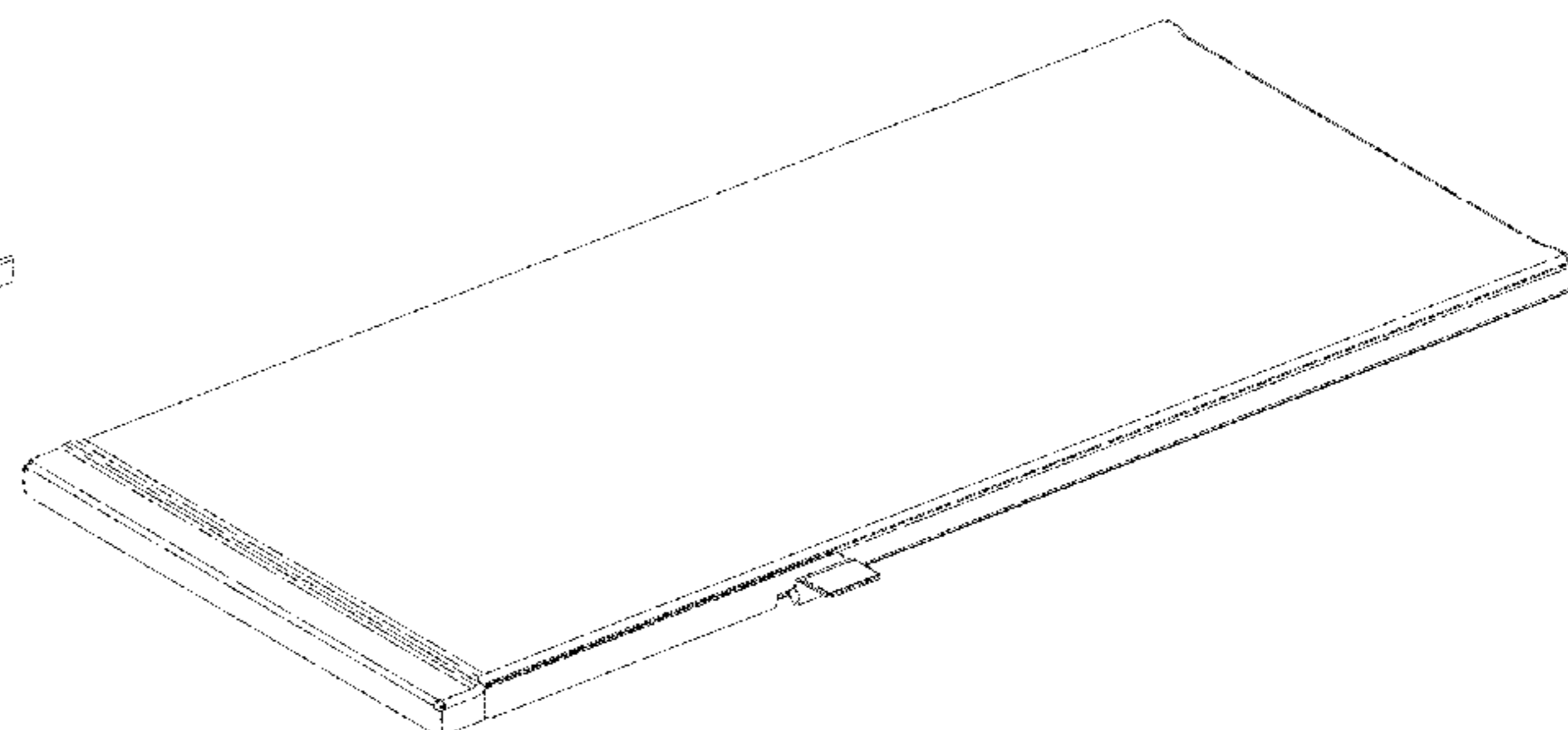
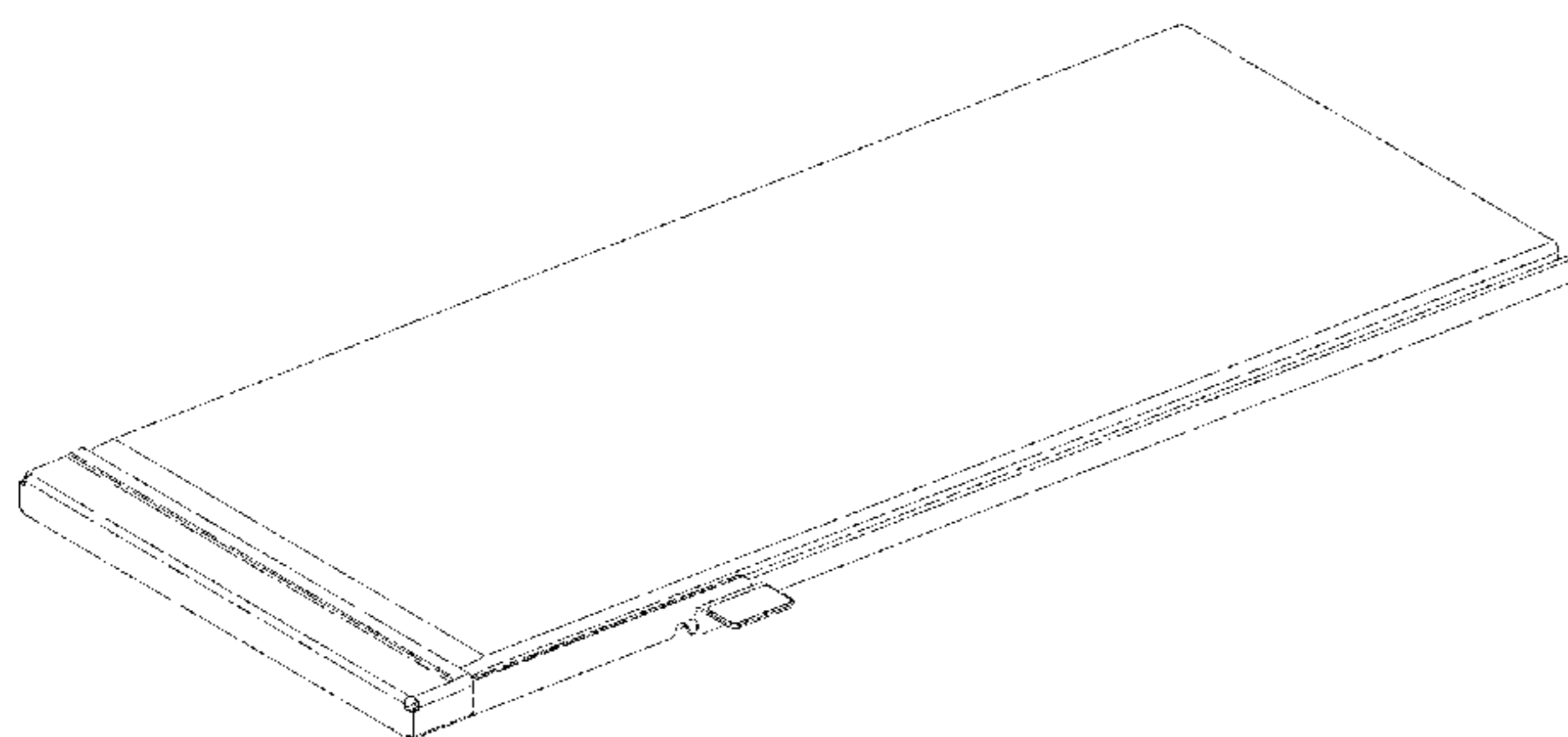
FIG. 14 is a right side view thereof;

FIG. 15 is a top view thereof; and,

FIG. 16 is a bottom view thereof.

The broken lines in the figures show portions of a battery for an electronic device that form no part of the claimed design.

1 Claim, 12 Drawing Sheets



(58) **Field of Classification Search**
 USPC D14/341–347, 371, 374, 432, 439;
 D6/308, 310; D10/50, 65, 104.1;
 D18/6–7; D19/26, 59–60; D21/324,
 D21/329–330, 332; D13/103
 CPC ... H04M 1/0202; H04M 1/0266; H04M 1/725
 See application file for complete search history.

(56) **References Cited**

U.S. PATENT DOCUMENTS

D327,868	S	7/1992	Oka
5,180,644	A	1/1993	Bresin et al.
D337,984	S	8/1993	Lindhahl
D348,247	S	6/1994	Cooper
5,326,651	A	7/1994	Mehta et al.
D356,992	S	4/1995	Dilgard
5,436,089	A	7/1995	Fedele
D374,424	S	10/1996	Nagele
5,601,942	A	2/1997	Fedele
D407,063	S	3/1999	Reis
D409,973	S	5/1999	Iwamoto
D422,263	S	4/2000	Waldner
D435,827	S	1/2001	Rausch
D440,201	S	4/2001	Huynh et al.
D442,915	S	5/2001	Sasaoka
D454,544	S	3/2002	Takach, Jr. et al.
D460,411	S	7/2002	Wang
D477,275	S	7/2003	Wada
D479,193	S	9/2003	Fujihara et al.
D485,530	S	1/2004	Ogasawara
D489,325	S	5/2004	Nakamura
D494,924	S	8/2004	Maruyama
D495,992	S	9/2004	Lim
6,884,540	B2	4/2005	Chikada
D516,026	S	2/2006	Barrett et al.
D517,478	S	3/2006	Bayat et al.
D519,919	S	5/2006	Yokota
D532,363	S	11/2006	Morisawa
D535,249	S	1/2007	Ogasawara
D538,225	S	3/2007	Lyman et al.
D546,277	S	7/2007	Andre et al.
D548,176	S	8/2007	Eto et al.
D548,686	S	8/2007	Eto et al.
7,595,129	B2	9/2009	Kato
D614,124	S	4/2010	Mistyurik
D625,263	S	10/2010	Takuma
D635,506	S	4/2011	Morisawa
D637,157	S	5/2011	Andre et al.
D637,193	S	5/2011	Andre et al.
D642,515	S	8/2011	Crawford et al.
D653,611	S	2/2012	Lee et al.
D655,673	S	3/2012	Masui
D658,583	S	5/2012	Andre et al.
8,168,319	B2	5/2012	Spare et al.
D669,427	S	10/2012	Ignor et al.
D669,849	S	10/2012	Morisawa
8,309,245	B2 *	11/2012	Coish H01M 50/20 429/100
D672,713	S	12/2012	Masui
D677,620	S	3/2013	Corbin et al.
D678,184	S	3/2013	Banko et al.
D678,188	S	3/2013	Sasada
D684,529	S	6/2013	Moon et al.
D684,530	S	6/2013	Moon et al.
D684,531	S	6/2013	Moon et al.
D684,532	S	6/2013	Ignor et al.
D684,926	S	6/2013	Murchison et al.
D685,319	S	7/2013	Ignor et al.
D685,731	S	7/2013	Brown et al.
D686,147	S	7/2013	Morisawa
D686,148	S	7/2013	Inaba
D689,018	S	9/2013	Honda et al.
D692,823	S	11/2013	Tanaka
D693,292	S	11/2013	Salvi et al.
D696,186	S	12/2013	Kannou et al.
D697,479	S	1/2014	Andre et al.

D700,137	S	2/2014	Ashida et al.
8,703,322	B2	4/2014	Lee et al.
D704,625	S	5/2014	Tsutsumi et al.
D708,128	S	7/2014	Andre et al.
D708,269	S	7/2014	Moore et al.
D709,026	S	7/2014	Lee et al.
D709,440	S	7/2014	Kwon et al.
D709,441	S	7/2014	Kwon et al.
D709,442	S	7/2014	Kwon et al.
D709,443	S	7/2014	Kwon et al.
D709,822	S	7/2014	Kwon et al.
D709,823	S	7/2014	Corley et al.
D711,310	S	8/2014	Sanders
D711,311	S	8/2014	Corbin et al.
D712,345	S	9/2014	Kwon et al.
D712,346	S	9/2014	Kwon et al.
D712,835	S	9/2014	Yasuda et al.
D713,785	S	9/2014	Tehrani
D714,718	S	10/2014	Loeckenhoff et al.
D716,721	S	11/2014	Kwon et al.
D716,722	S	11/2014	Kwon et al.
D716,723	S	11/2014	Kwon et al.
D717,800	S	11/2014	Akana et al.
D718,753	S	12/2014	Akana et al.
D719,085	S *	12/2014	Aoyagi D13/103
D719,087	S	12/2014	Bataillou et al.
D724,014	S	3/2015	Kwon et al.
D724,015	S	3/2015	Kwon et al.
D724,016	S	3/2015	Kwon et al.
D724,017	S	3/2015	Kwon et al.
D724,019	S	3/2015	Kwon et al.
D724,020	S	3/2015	Kwon et al.
D724,021	S	3/2015	Kwon et al.
D724,022	S	3/2015	Kwon et al.
D724,528	S	3/2015	Kwon et al.
D724,529	S	3/2015	Kwon et al.
D724,530	S	3/2015	Kwon et al.
D724,532	S	3/2015	Kwon et al.
D724,533	S	3/2015	Kwon et al.
D729,805	S	5/2015	Bataillou et al.
D738,821	S	9/2015	Banko et al.
D743,399	S	11/2015	Frank
D758,961	S *	6/2016	Aoyagi D13/103
D765,625	S *	9/2016	Akana D14/248
9,570,775	B2	2/2017	Huang et al.
9,711,770	B2 *	7/2017	Anastas H01M 50/411
9,735,595	B2	8/2017	Colahan et al.
D807,824	S	1/2018	Krivosnak et al.
D808,897	S	1/2018	Mascolo et al.
9,887,403	B2	2/2018	Huang et al.
D830,964	S	10/2018	Aoyagi et al.
D929,317	S *	8/2021	Dinh D13/103
D929,318	S *	8/2021	Browning D13/103
2002/0094475	A1	7/2002	Aoyama
2009/0274953	A1	11/2009	Myers et al.
2012/0208046	A1	8/2012	Koh
2014/0065474	A1 *	3/2014	Werner H01M 50/183 429/185
2014/0199575	A1 *	7/2014	Ryu H01M 50/209 429/99
2014/0265915	A1 *	9/2014	Huang H01M 50/24 315/291
2014/0272541	A1 *	9/2014	Huang H01M 50/116 429/158
2014/0273890	A1 *	9/2014	Huang H01M 10/0436 455/90.2
2016/0049696	A1 *	2/2016	Choi H01M 50/209 429/61

FOREIGN PATENT DOCUMENTS

CN	304794377	*	8/2018
CN	305235949	*	6/2019
CN	306161529	*	11/2020
CN	306161530	*	11/2020

(56)

References Cited

FOREIGN PATENT DOCUMENTS

JP	D1470109	*	5/2013
TW	171302		10/1991

OTHER PUBLICATIONS

Mobile Battery for Apple iPhone 8, date first available: Jan. 19, 2019, [retrieved Sep. 9, 2021], Retrieved from Internet, URL: <<https://www.amazon.in/1821mAh-Mobile-Battery-Apple-iPhone/dp/B07MY1Q9PH>> (Year: 2019).*

iPhone SE Teardown, Mar. 31, 2016, [retrieved Sep. 9, 2021], Retrieved from Internet, URL: <<https://www.ifixit.com/Teardown/iPhone+SE+Teardown/60902>> (Year: 2016).*

Replacement Battery for Apple iPhone 11, date not available, [retrieved Sep. 9, 2021], Retrieved from Internet, URL: <<https://americanbatterystore.com/products/replacement-battery-for-apple-iphone-11-616-00641-3110mah-same-day-ship?variant=39543180656807&g%E2%80%A6>> (Year: 2021).*

iPhone SE Teardown Review!, Apr. 1, 2016, [retrieved Sep. 9, 2021], Retrieved from Internet, URL: <<https://www.youtube.com/watch?v=BI-KEkgAMiA>> (Year: 2016).*

iPhone 5C Teardown, ifixit.com, Retrieved on Sep. 20, 2013, Retrieved from the Internet: <URL: <https://www.ifixit.com/Teardown/iPhone+5c+Teardown/17382>>.

Kazmucha, A., "How to Replace the Battery in an iPhone 4S," iMore, Retrieved on Aug. 28, 2012, Retrieved from the Internet: <URL: <http://www.imore.com/how-diy-replace-battery-iphone-4s>>.

Klug, B., "Motorola Droid Bionic Review" Retrieved on Oct. 11, 2011, AnandTech, Retrieved from the Internet: <URL: <http://www.anandtech.com/show/4910/motorola-droid-bionic-review-dual-core--with-4g-lte/2>>.

Leather, A., "How to Replace the iPhone 5's Battery," Forbes, Retrieved on Oct. 31, 2013, Retrieved from the Internet: <URL: <http://www.forbes.com/sites/antonyleather/2013/10/31/how-to-replace-the-iphone-5s-battery/>>.

New Original Battery for Apple iPhone 6 4.7 inch, Retrieved on Oct. 9, 2015, Retrieved from the Internet: <URL: Hyratech.com <https://www.hyratech.com/product.php?productid=8743&cat=28644&page=1>>.

Original iPhone 6 Battery Replacement, iPhoneFix UK, Retrieved on Oct. 9, 2015, Retrieved from the Internet: <URL: <http://www.iphonefixuk.co.uk/products/original-iphone-6-battery-replacement>>.

IFixit. iPhone SE Teardown Review. Youtube. Dated Apr. 1, 2016. Retrieved from the Internet: (URL: <https://www.youtube.com/watch?v=BI-KEkgAMiA&t=106s>).

* cited by examiner

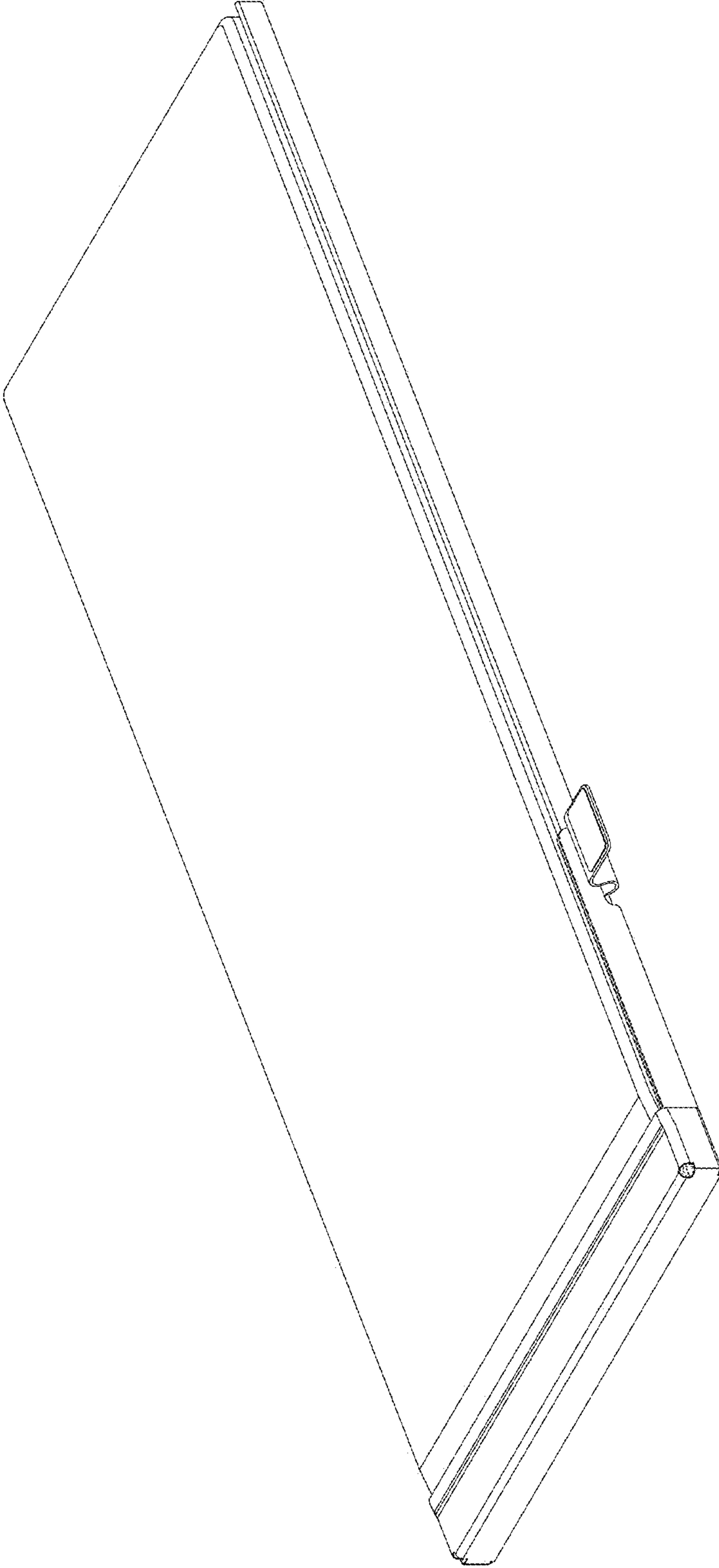


FIG. 1

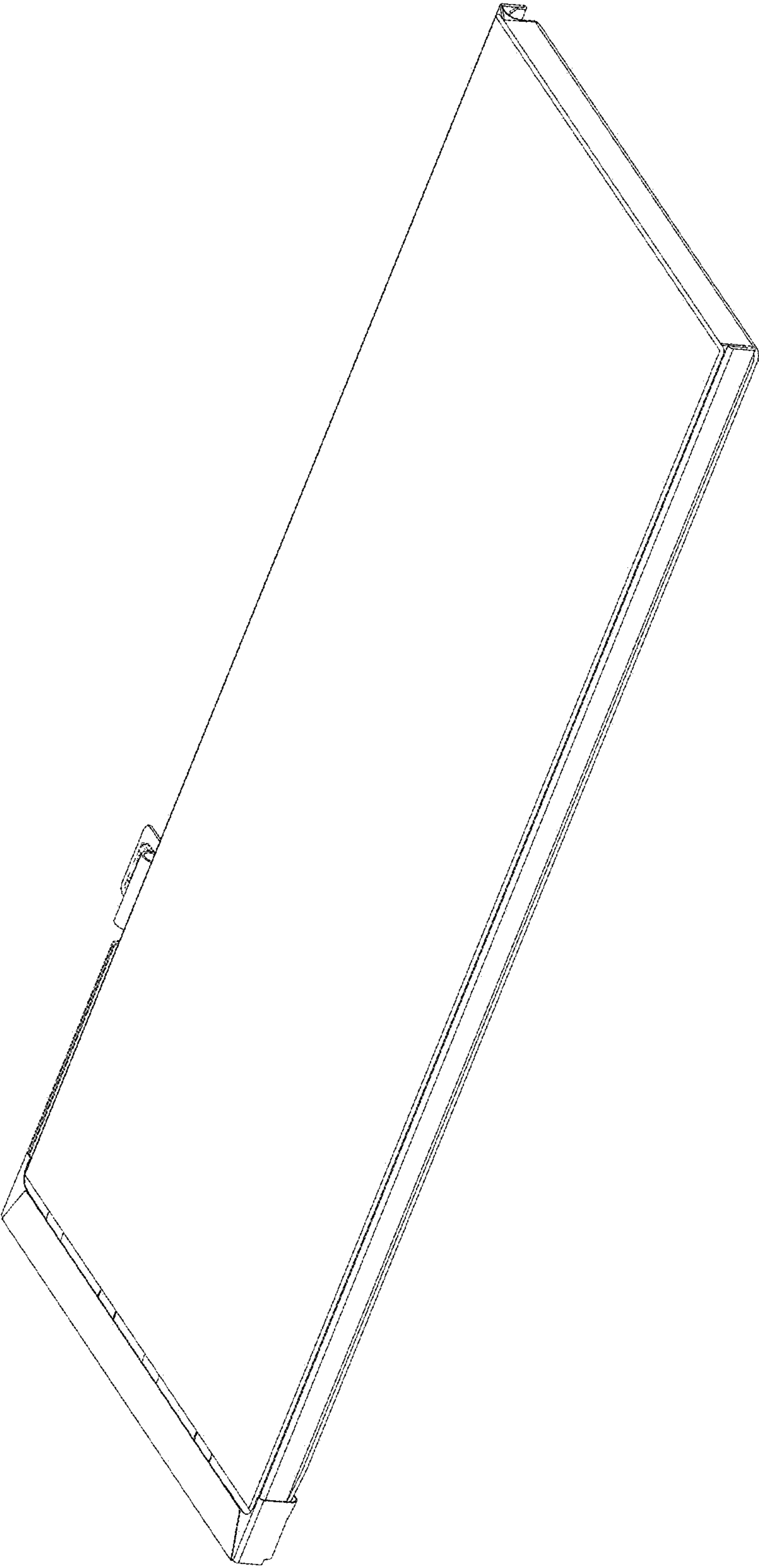


FIG. 2

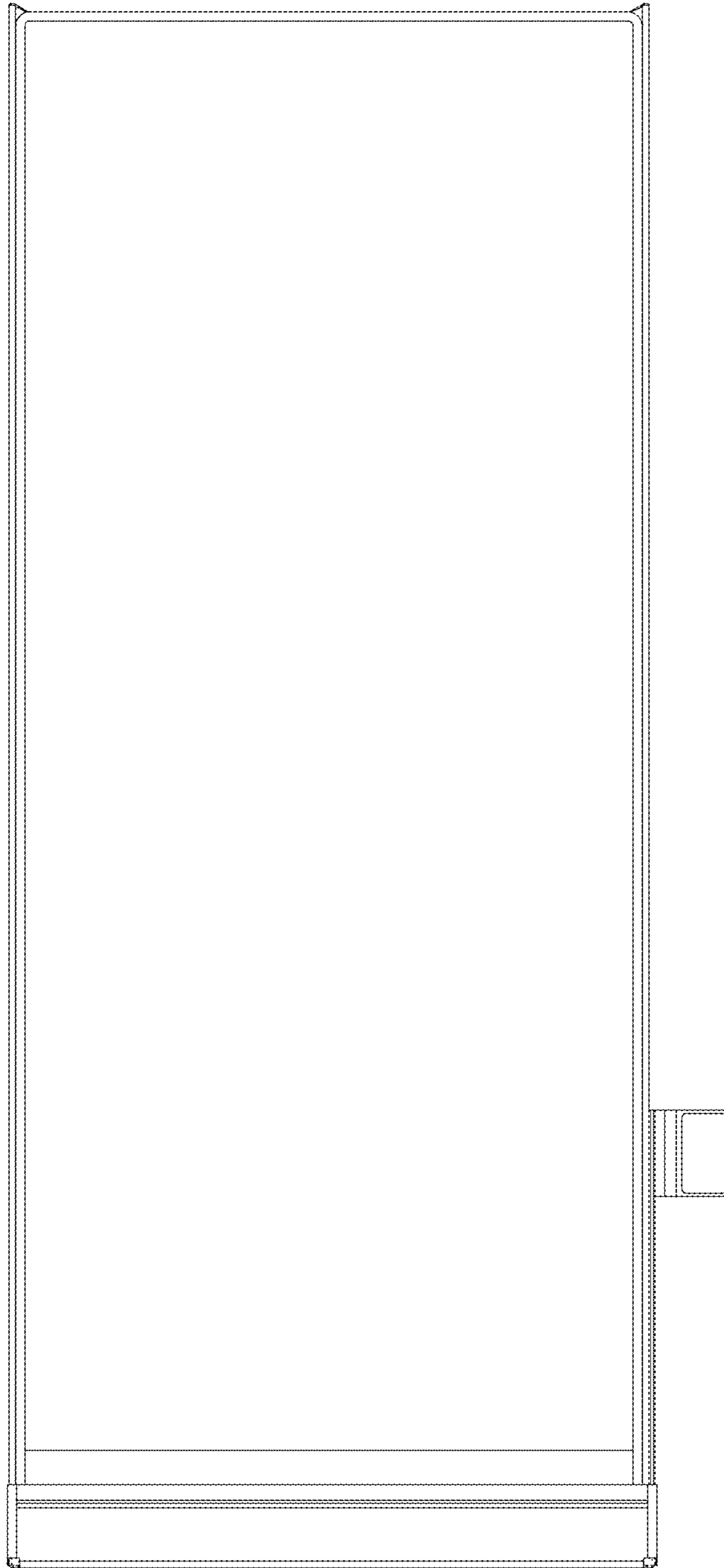


FIG. 3

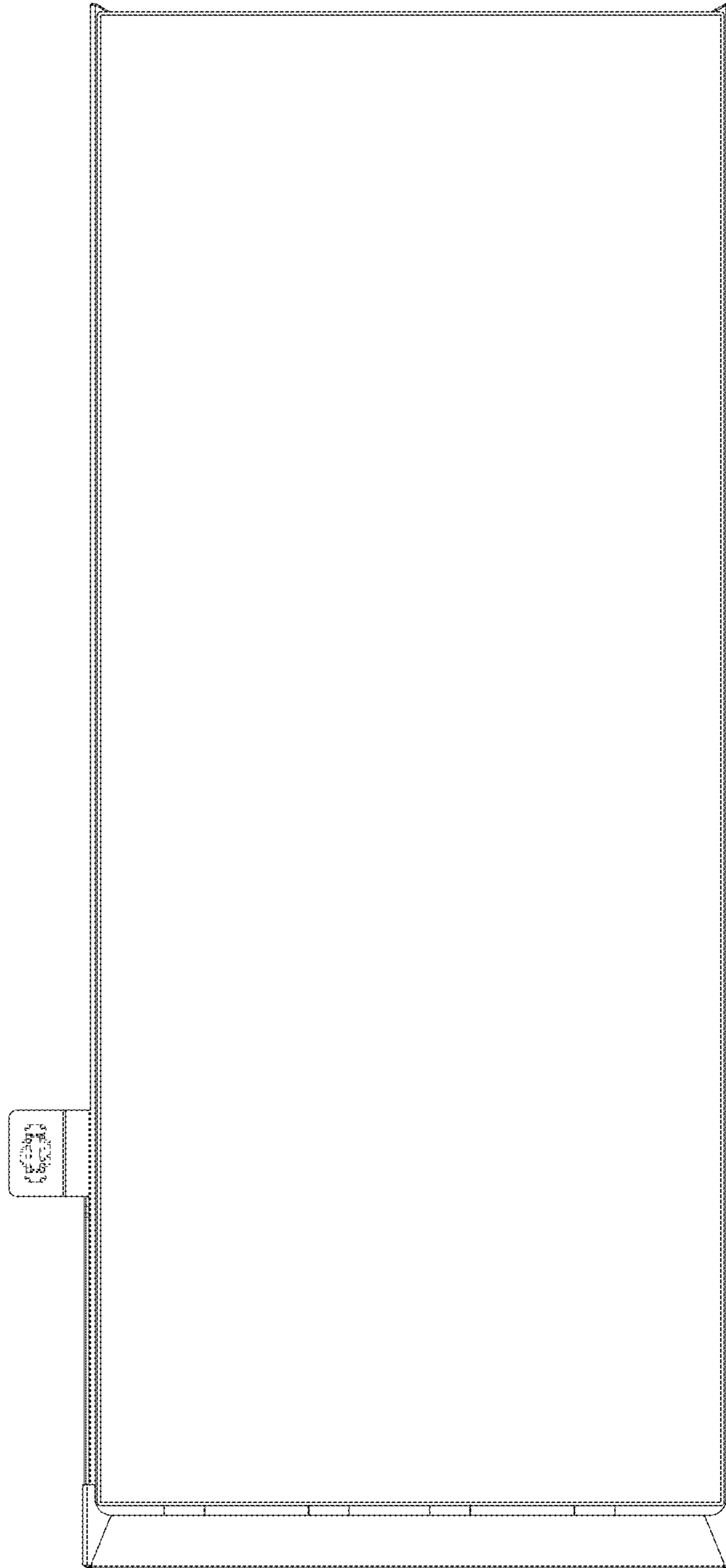


FIG. 4

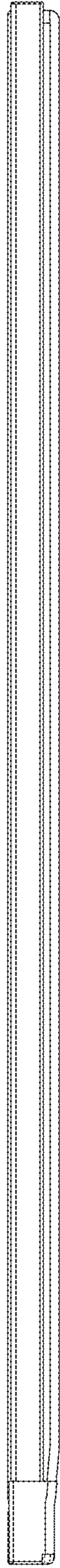


FIG. 5

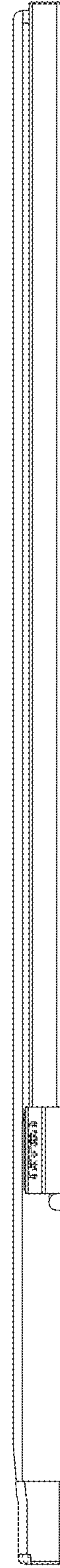


FIG. 6

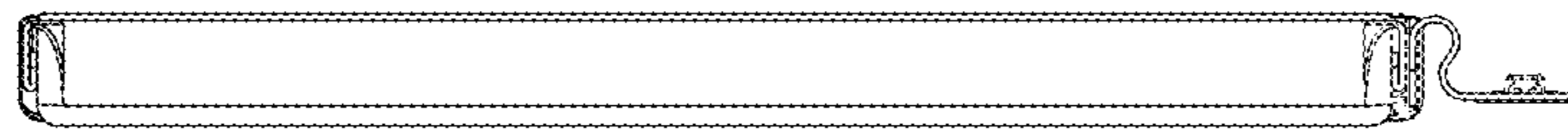


FIG. 7



FIG. 8

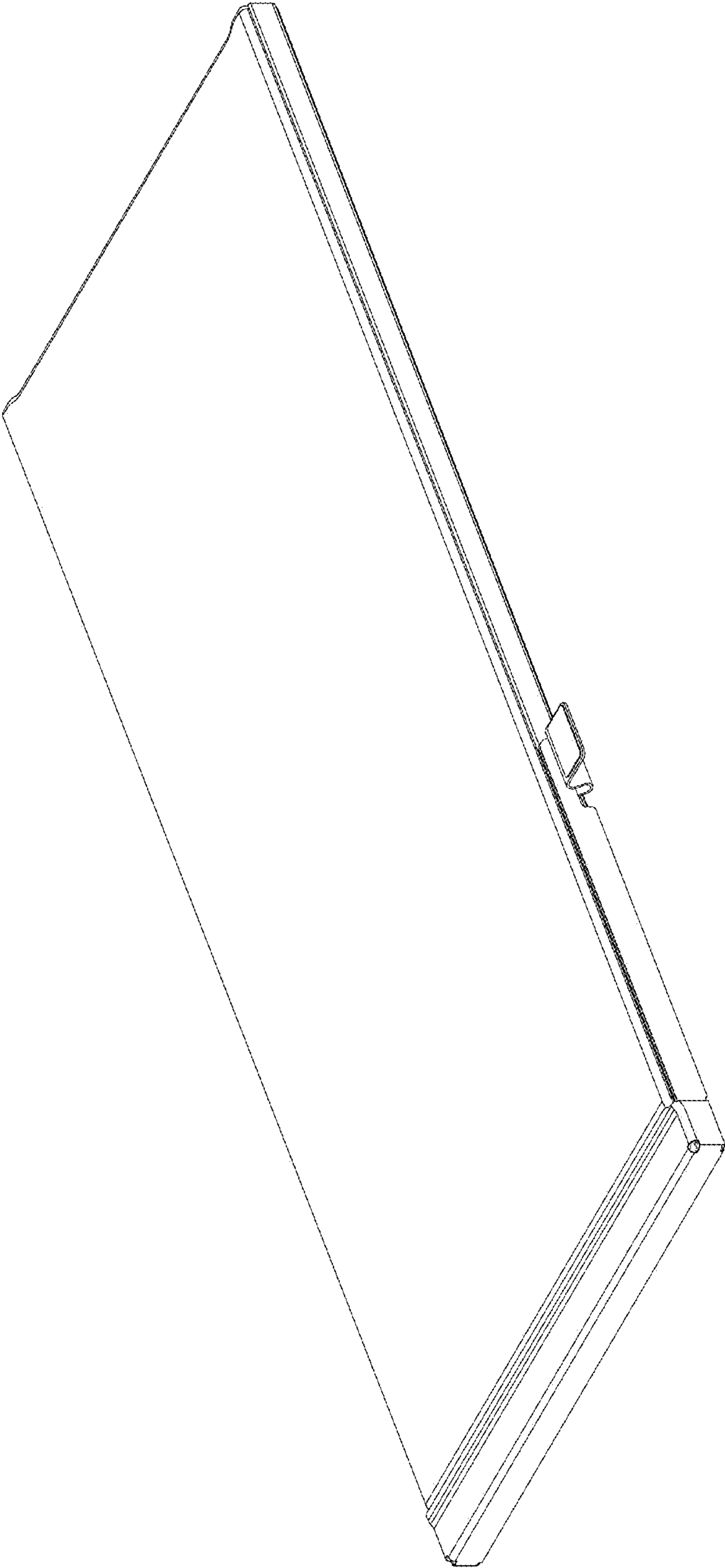


FIG. 9

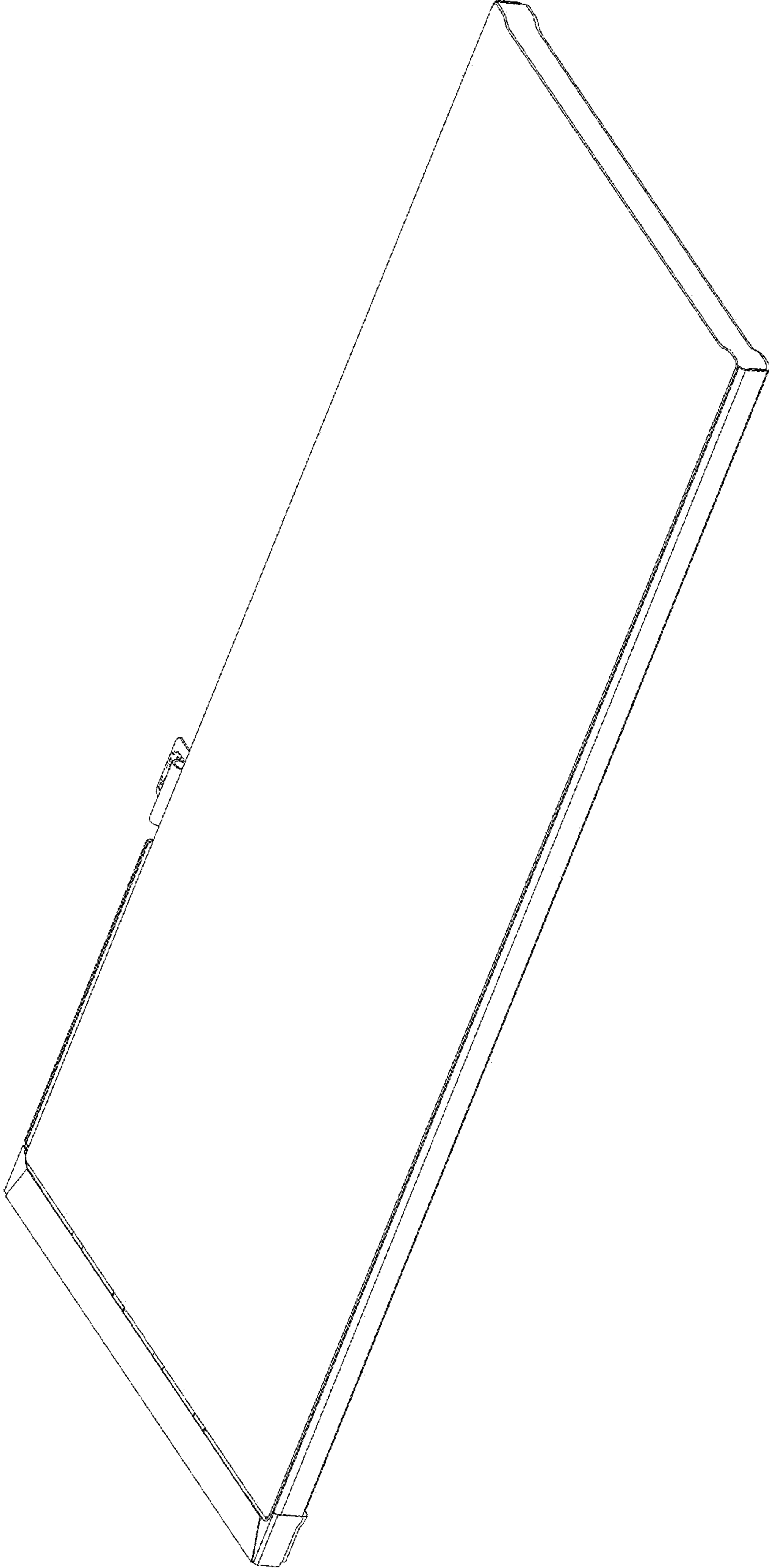


FIG.10

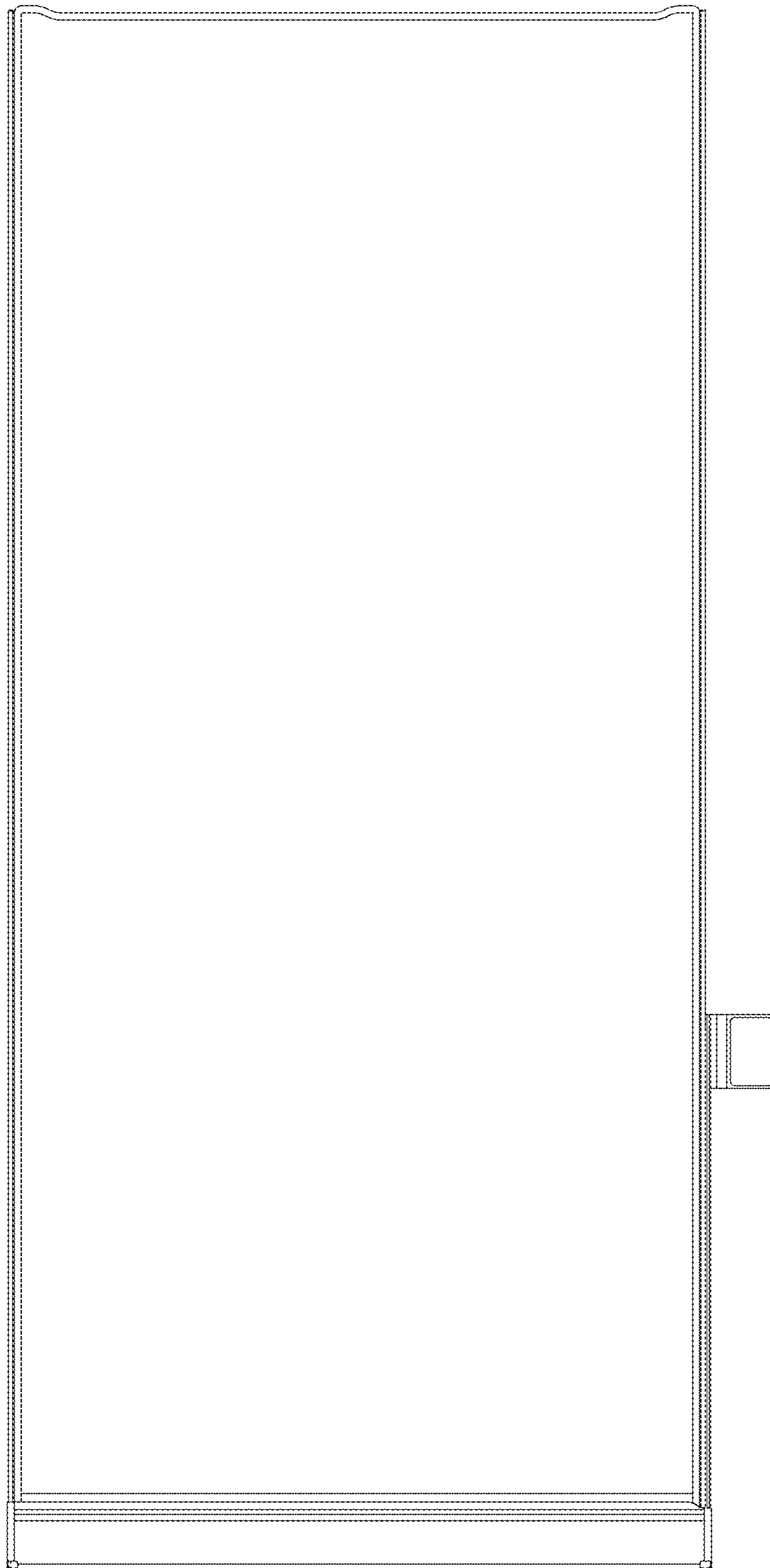


FIG. 11

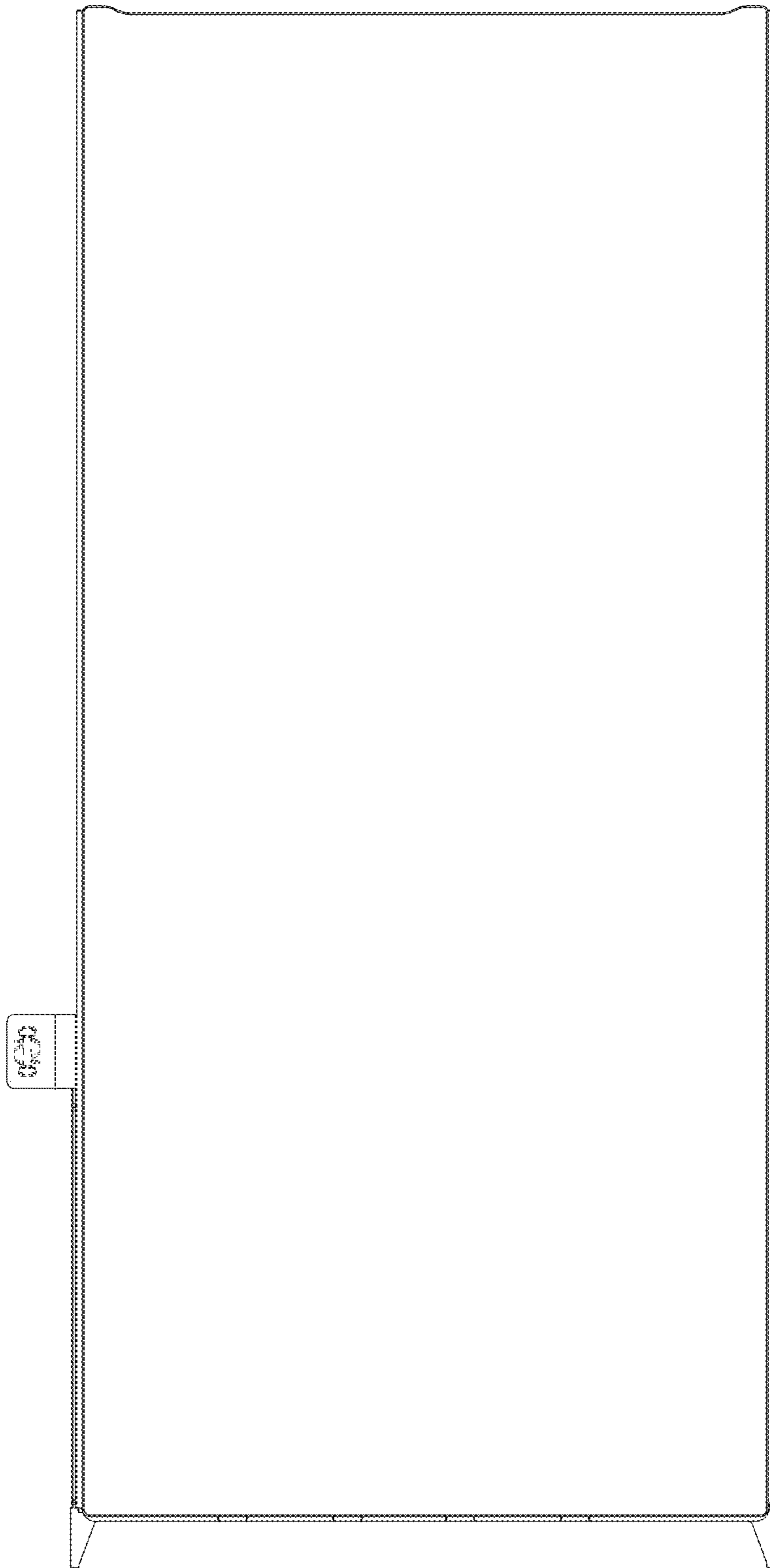


FIG. 12



FIG. 13

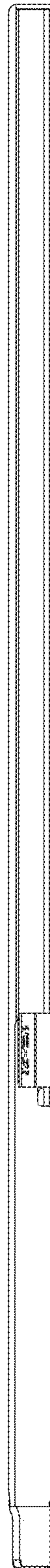


FIG. 14



FIG. 15

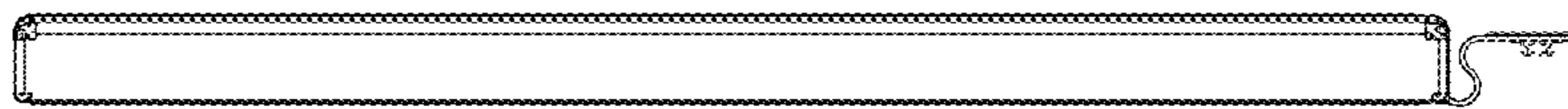


FIG. 16