



US00D961593S

(12) **United States Design Patent** (10) **Patent No.:** **US D961,593 S**
Xu et al. (45) **Date of Patent:** **** Aug. 23, 2022**

(54) **BARCODE SCANNER**

(71) Applicant: **Hand Held Products, Inc.**, Fort Mill, SC (US)

(72) Inventors: **Chang Xu**, Shanghai (CN); **Nikhil Banwaskar**, Shanghai (CN); **Liang Li**, Shanghai (CN); **Erik Van Horn**, Ocean View, NJ (US); **Manxia Liu**, Shanghai (CN)

(73) Assignee: **HAND HELD PRODUCTS, INC.**, Fort Mill, SC (US)

(**) Term: **15 Years**

(21) Appl. No.: **29/771,064**

(22) Filed: **Feb. 19, 2021**

(30) **Foreign Application Priority Data**

Aug. 26, 2020 (CN) 202030494846.1

(51) **LOC (13) Cl.** **14-02**

(52) **U.S. Cl.**
USPC **D14/420**

(58) **Field of Classification Search**
USPC D14/420, 426-430, 453; 235/462.01, 235/462.11, 462.43, 462.45, 462.49, 235/472.01, 385, 454; 382/313, 321, 382/318; 358/473; 250/215, 216; D26/37-50, 24; 362/157, 158, 171-174, 362/183-208; 396/427; D16/203, 202, D16/214

CPC .. G06K 7/01; G06K 7/10584; G06K 7/10613; G06K 7/10881; G06K 7/109; G06K 7/10693; G06K 7/10871; G06K 7/1096; G06K 7/10; G06K 7/10564; G06K 7/10594; G06K 7/10603; G06K 7/10663; G06K 7/10673; G06K 7/10702; G06K 7/10792; G06K 7/10633; G06K 7/10653; G06K 7/10891; G06K 7/14; G06K 7/1443; G06K 7/10801; G06K 7/10811; G06K 7/10851; G06K 7/10861; G06K

2207/1011; G06K 2207/1012; G06K 2207/1013; G06K 2207/1016; G06K 2207/1017; G06K 2207/1018; G06K 2207/10534; G06K 17/0022; A47F 9/046; A47F 9/047; G07G 1/0045; G04N 5/23238; G04N 5/2252; G04N 5/2251; G03B 17/02; B25H 5/00;

(Continued)

(56) **References Cited**

U.S. PATENT DOCUMENTS

D312,829 S * 12/1990 Kuroki D16/214
D325,729 S * 4/1992 Forsythe D14/420
(Continued)

OTHER PUBLICATIONS

Notification to Grant Patent Right issued in Chinese Application No. 202030494846.1 dated Jul. 23, 2021, 6 pages.

(Continued)

Primary Examiner — Susan Moon Lee

(74) *Attorney, Agent, or Firm* — Alston & Bird LLP

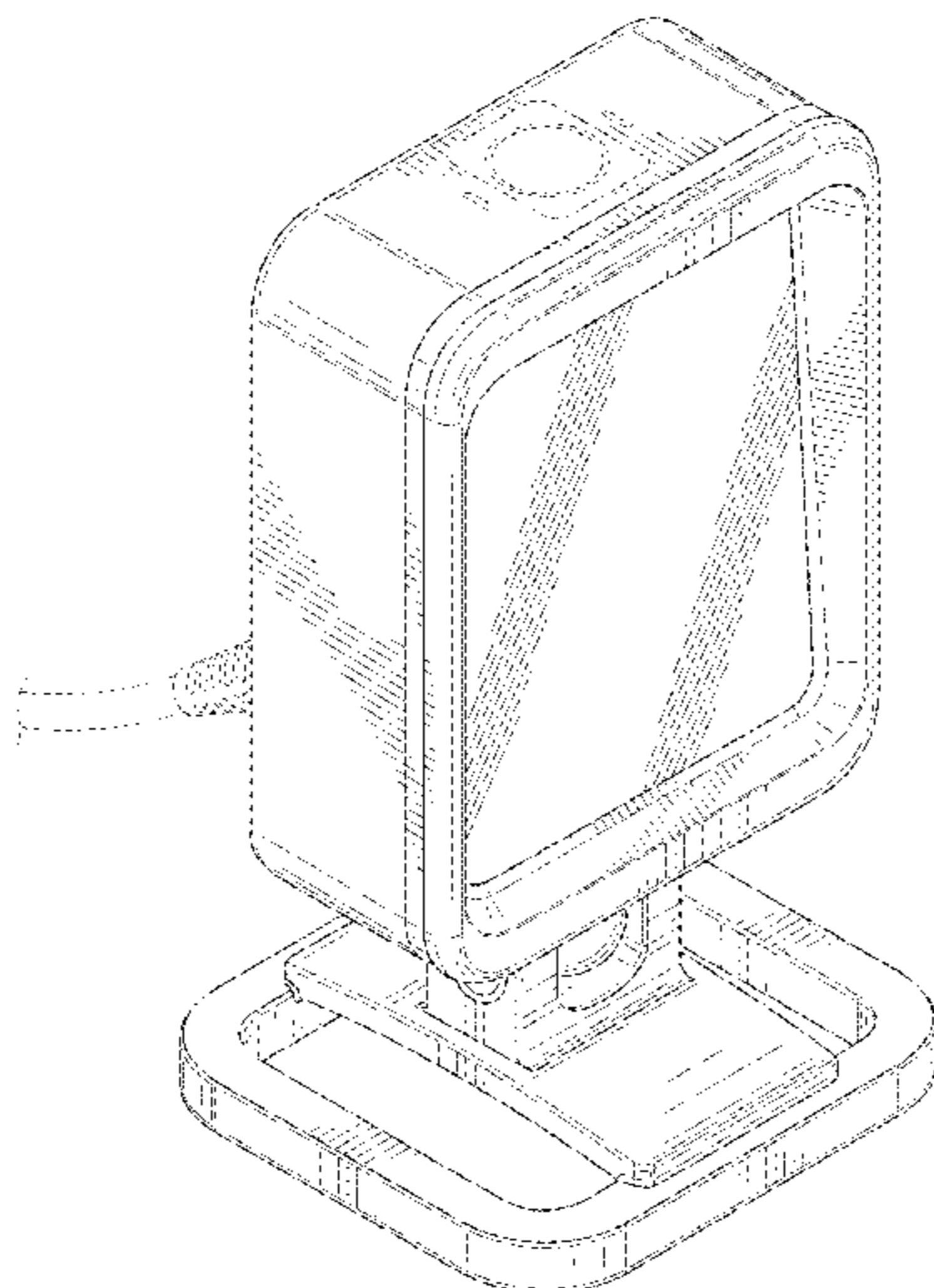
(57) **CLAIM**

We claim the ornamental design for a barcode scanner, as shown and described.

DESCRIPTION

FIG. 1 is a perspective view of a barcode scanner showing our new design from the front, top, and left side; FIG. 2 is a front elevation view thereof; FIG. 3 is a rear elevation view thereof; FIG. 4 is a left side elevation view thereof; FIG. 5 is a right side elevation view thereof; FIG. 6 is a top plan view thereof; and, FIG. 7 is a bottom plan view thereof. The broken lines are directed to features of the barcode scanner that form no part of the claimed design.

1 Claim, 7 Drawing Sheets



(58) **Field of Classification Search**
 CPC B66F 7/28; G02B 26/10; G02B 26/106;
 G07F 11/002; G07F 11/02; G06Q 20/343;
 G06Q 20/3276; G06F 2203/0331
 See application file for complete search history.

(56) **References Cited**

U.S. PATENT DOCUMENTS

D359,483 S * 6/1995 Saunders D14/420
 D454,879 S * 3/2002 Lin D14/421
 6,575,368 B1 * 6/2003 Tamburrini G06K 7/10613
 235/462.25
 D557,320 S * 12/2007 Fisher D16/242
 D557,321 S * 12/2007 Fisher D16/242
 D595,328 S * 6/2009 Kim D16/219
 D602,913 S * 10/2009 Han D14/217
 D614,223 S * 4/2010 Kim D16/202
 D624,108 S * 9/2010 Wang D16/219
 D624,109 S * 9/2010 Wang D16/242
 D647,934 S * 11/2011 Raken D16/202
 D649,573 S * 11/2011 Al D16/202
 8,186,592 B2 * 5/2012 Fletcher G07G 1/0045
 235/462.01
 8,381,979 B2 * 2/2013 Franz G08B 13/2411
 235/462.43
 8,408,464 B2 * 4/2013 Zhu G06K 7/10732
 235/455
 8,479,992 B2 * 7/2013 Kotlarsky G06K 7/10732
 235/462.07
 D689,478 S * 9/2013 Wikel D14/253
 D697,119 S * 1/2014 Park D16/202
 8,681,268 B2 * 3/2014 Reznik H04N 1/19594
 348/207.1
 8,844,812 B1 * 9/2014 Rivera G06Q 20/12
 235/455
 D720,790 S * 1/2015 Licitra D16/208
 D721,371 S * 1/2015 Rivera D14/420
 D721,754 S * 1/2015 Chen D16/202
 D724,088 S * 3/2015 Giometti D14/420
 D733,781 S * 7/2015 Chen D16/202
 D735,197 S * 7/2015 Fukuba D14/420
 D736,292 S * 8/2015 Fengmin D16/203
 D741,932 S * 10/2015 Huang D16/202
 D755,876 S * 5/2016 Moss D16/214
 D809,045 S * 1/2018 Jou D16/202
 D818,028 S * 5/2018 Ramones D16/202
 D819,715 S * 6/2018 Laurans D16/203
 D820,257 S * 6/2018 Meurer D24/185
 10,176,351 B2 * 1/2019 Volta H02J 50/10
 D849,104 S * 5/2019 Wong D16/215

D858,603 S * 9/2019 Ye D16/203
 D865,840 S * 11/2019 White D16/203
 D891,431 S * 7/2020 Iacovitti D14/420
 D893,575 S * 8/2020 Kyte D16/202
 D898,098 S * 10/2020 White D16/203
 D902,973 S * 11/2020 Homza D16/202
 D913,286 S * 3/2021 Thompson D14/420
 D914,076 S * 3/2021 Abel D16/202
 D923,077 S * 6/2021 Pritikin D16/214
 D930,062 S * 9/2021 Abel D16/202
 11,176,341 B2 * 11/2021 Utykanski G06K 7/10722
 2007/0297788 A1 * 12/2007 Wahl H04N 5/2252
 396/419
 2008/0277473 A1 * 11/2008 Kotlarsky G06K 7/10732
 235/462.07
 2008/0296388 A1 * 12/2008 Drzymala G06K 7/10861
 235/462.42
 2008/0302873 A1 * 12/2008 Kotlarsky G06K 7/10732
 235/462.15
 2012/0049052 A1 * 3/2012 Handshaw G06K 7/10831
 250/239
 2012/0085824 A1 * 4/2012 Handshaw G06K 7/10792
 235/462.31
 2012/0145788 A1 * 6/2012 Horn G06K 7/10584
 235/462.07
 2013/0292475 A1 * 11/2013 Kotlarsky G06K 7/10752
 235/462.43
 2013/0311314 A1 * 11/2013 Fernando G06Q 20/204
 705/17
 2014/0097337 A1 * 4/2014 Handshaw G06K 7/10752
 250/271
 2014/0263608 A1 * 9/2014 Rivera G06Q 20/3276
 235/375
 2015/0109441 A1 * 4/2015 Fujioka H04N 5/33
 348/143
 2016/0350563 A1 * 12/2016 Ye G06K 7/1091
 2018/0285613 A1 * 10/2018 Volta G06K 7/10881
 2020/0184159 A1 * 6/2020 Handshaw G06K 7/109
 2020/0184164 A1 * 6/2020 Utykanski G06K 7/10831
 2020/0380225 A1 * 12/2020 Utykanski G06K 7/109

OTHER PUBLICATIONS

Examination Report issued in European Union Application No. 008437792-0001/0002 dated May 3, 2021, 7 pages.
 Examination Report issued in United Kingdom Application No. 6129470 dated May 18, 2021, 2 pages.
 Notice of Amendment issued in Chinese Application No. 202030494846.1 dated Apr. 14, 2021, 1 page.

* cited by examiner

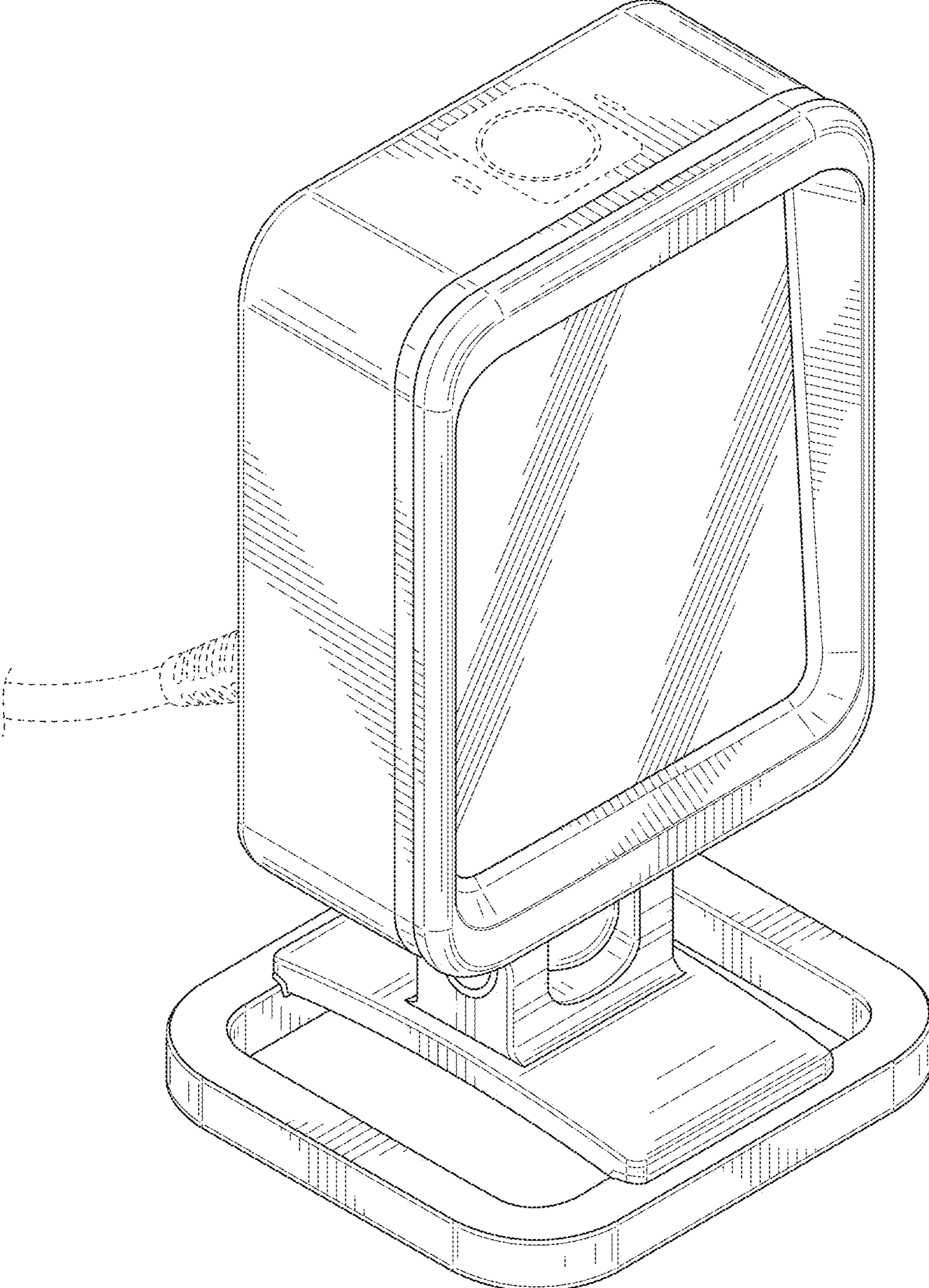


FIG. 1

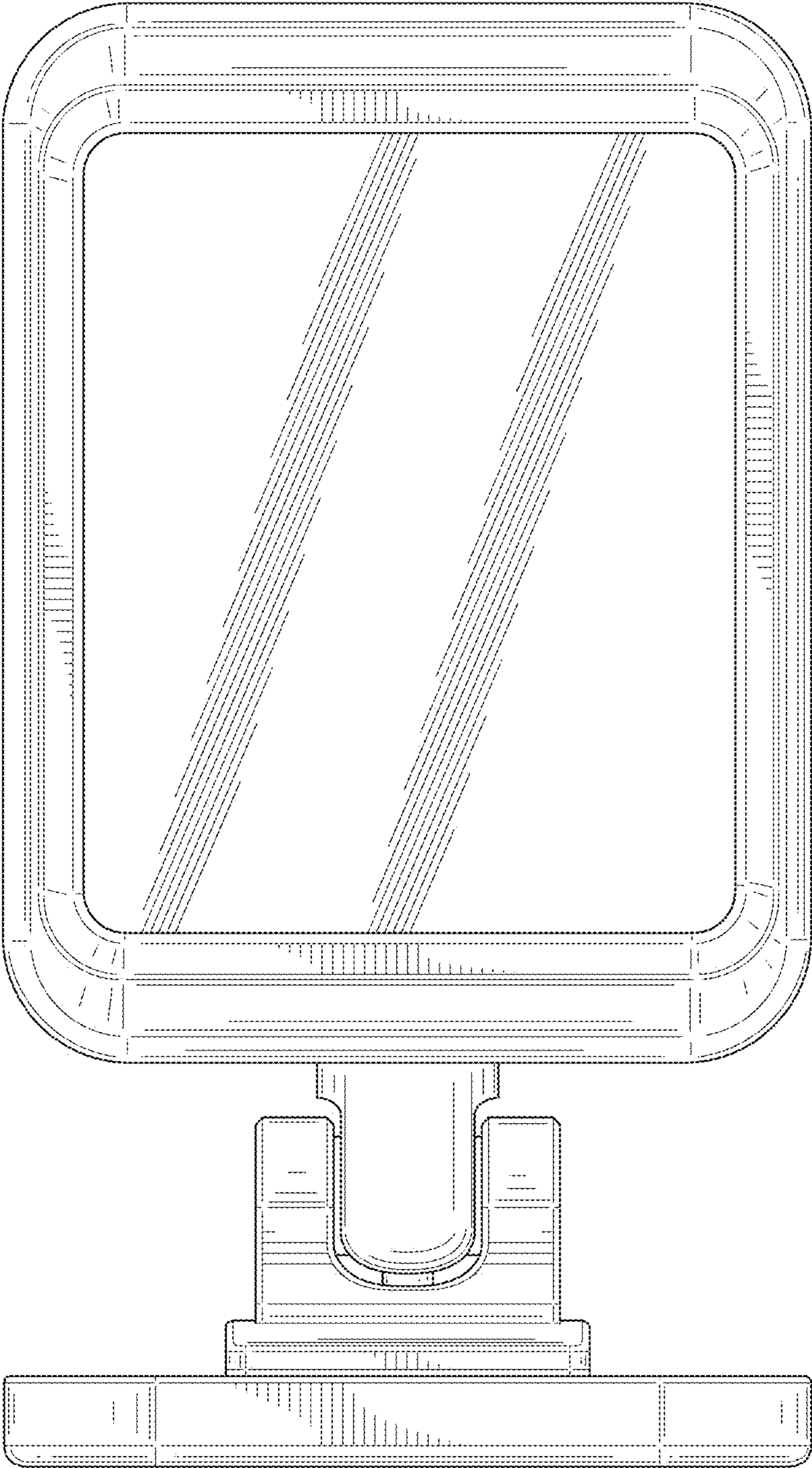


FIG. 2

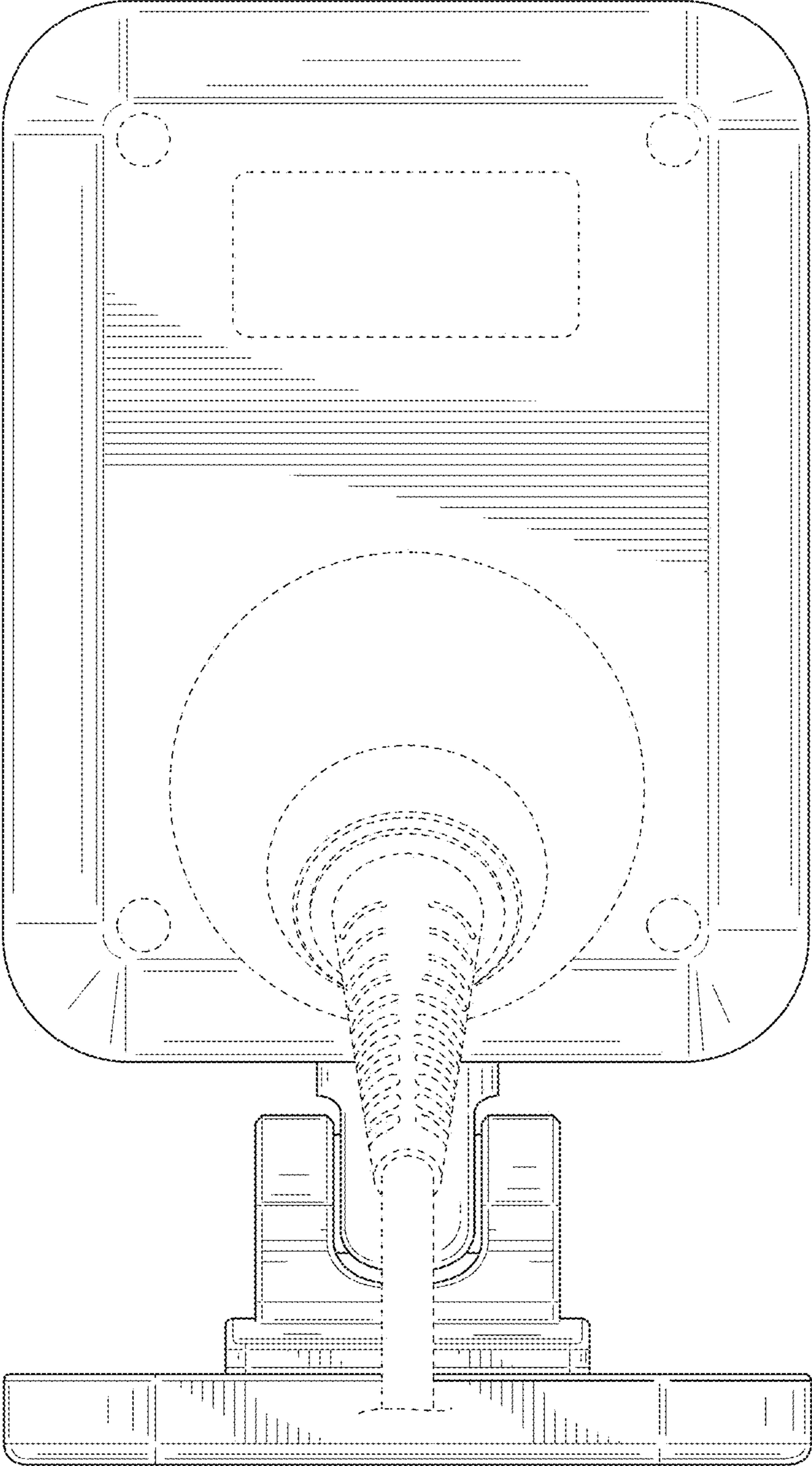


FIG. 3

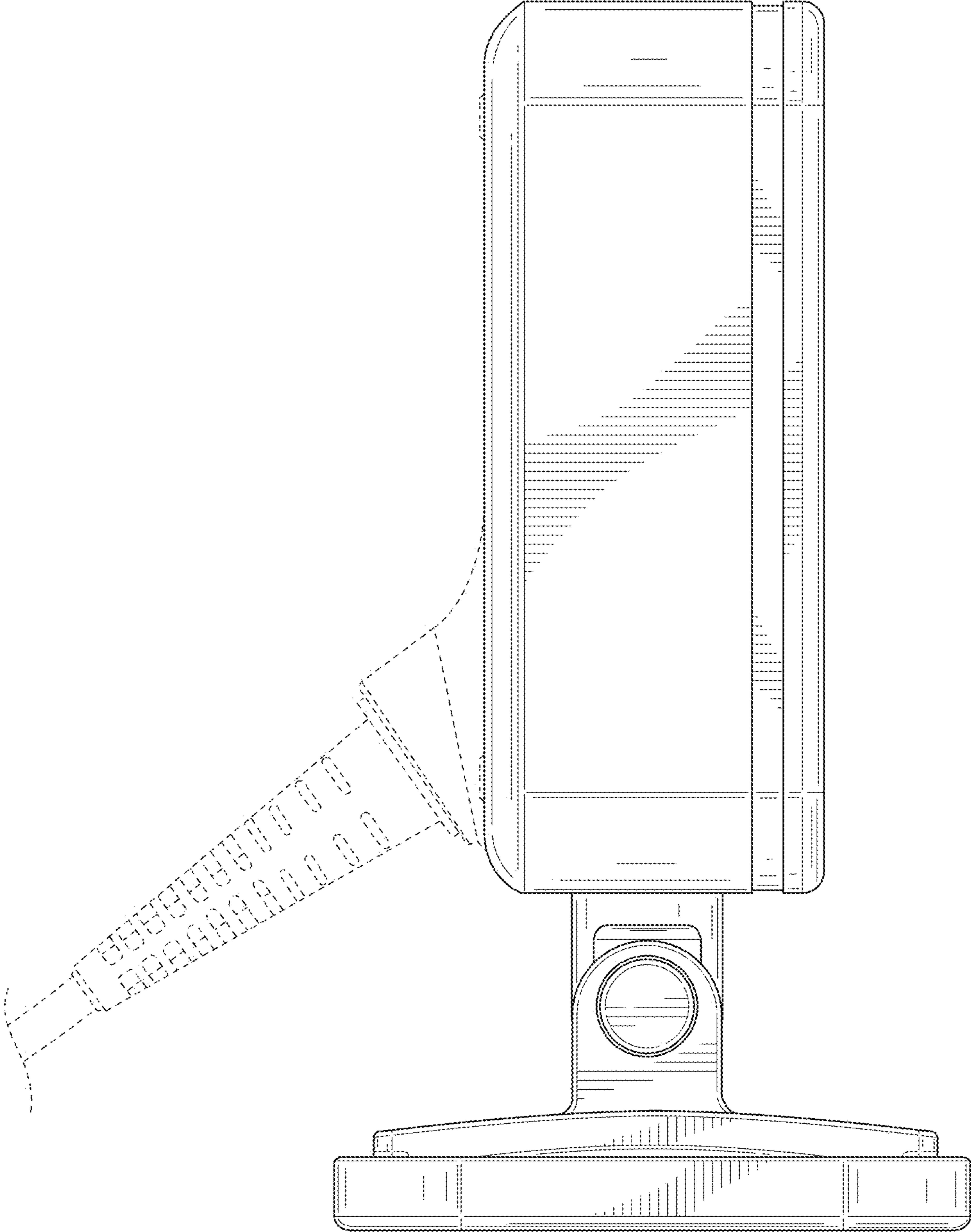


FIG. 4

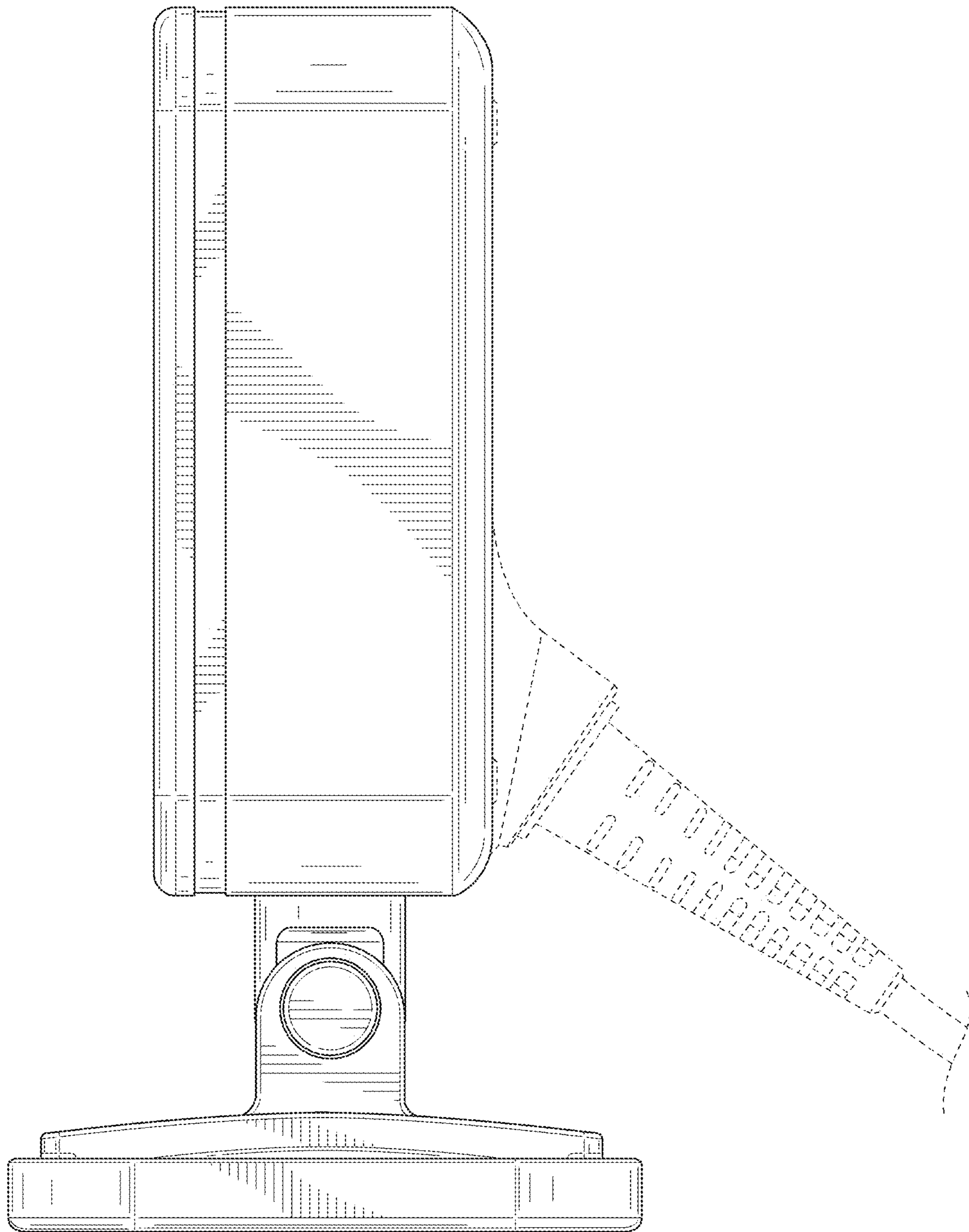


FIG. 5

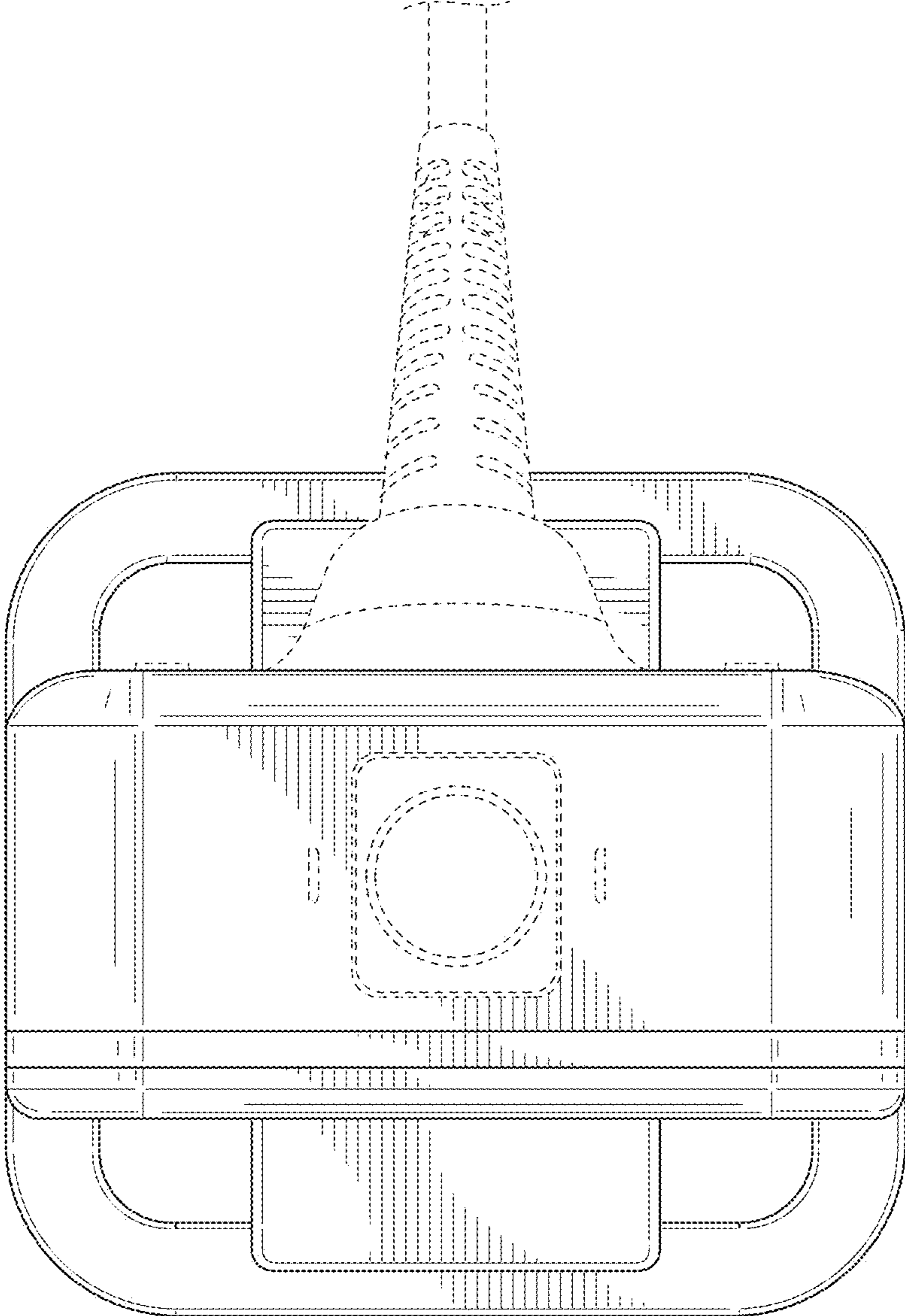


FIG. 6

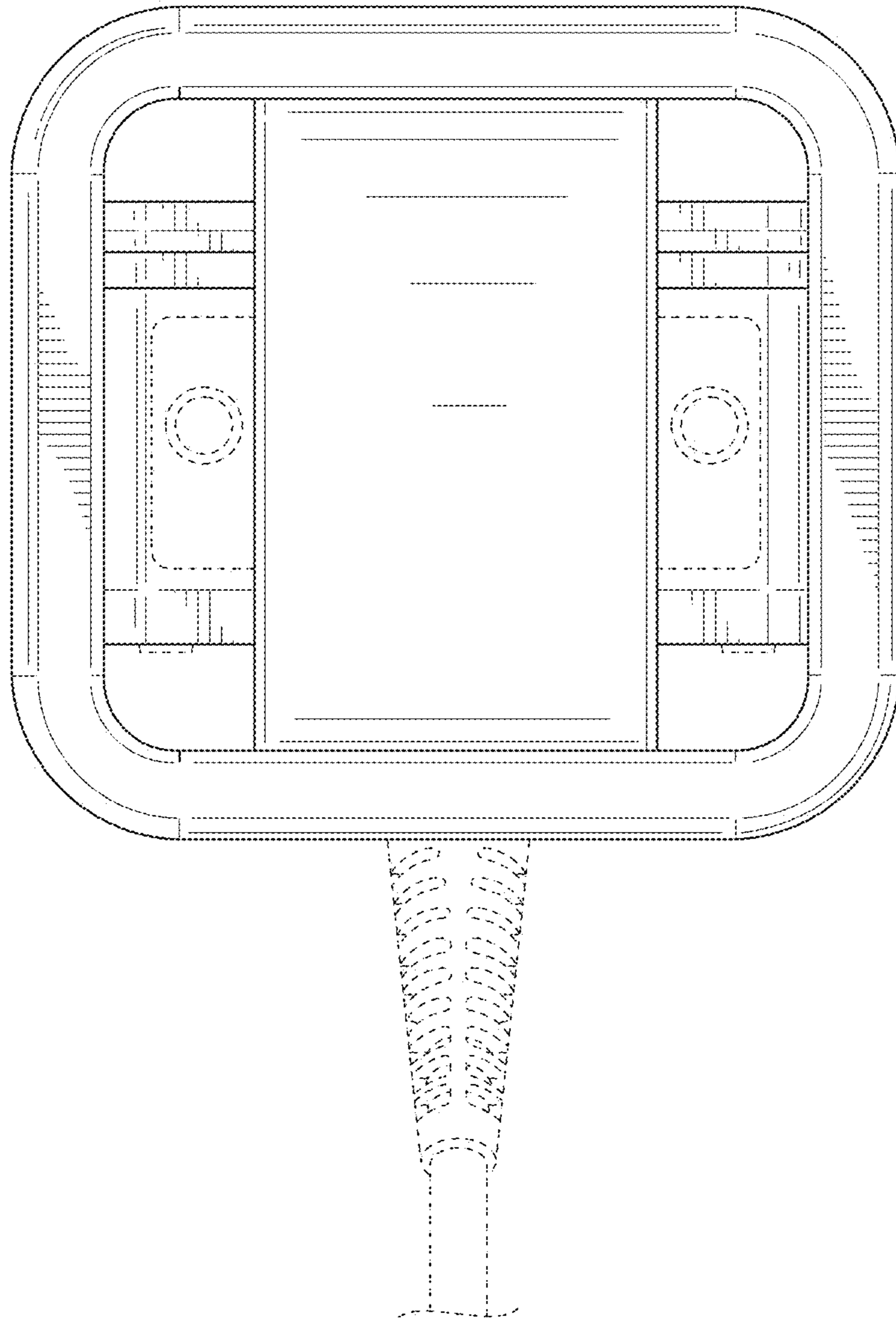


FIG. 7