



US00D961592S

(12) **United States Design Patent**
Wu et al.

(10) **Patent No.:** **US D961,592 S**
(45) **Date of Patent:** **** *Aug. 23, 2022**

(54) **KEYBOARD**

(71) Applicant: **Shenzhen Mofei Electronics Co., Limited**, Shenzhen (CN)

(72) Inventors: **Ming Wu**, Shenzhen (CN); **Haiping Xu**, Shenzhen (CN)

(73) Assignee: **Shenzhen Mofei Electronics Co., Limited**, Shenzhen (CN)

(*) Notice: This patent is subject to a terminal disclaimer.

(**) Term: **15 Years**

(21) Appl. No.: **29/797,252**

(22) Filed: **Jun. 29, 2021**

(30) **Foreign Application Priority Data**

Dec. 31, 2020 (CN) 202030827908.6

(51) **LOC (13) Cl.** **14-02**

(52) **U.S. Cl.**
USPC **D14/391**

(58) **Field of Classification Search**
USPC D14/247, 315–327, 331–333, 338,
D14/345–347, 387, 390–401, 406, 429,
(Continued)

(56) **References Cited**

U.S. PATENT DOCUMENTS

2,167,150 A * 7/1939 Haberdorf B41J 5/10
400/472
D202,555 S * 10/1965 Meunier D14/392
(Continued)

FOREIGN PATENT DOCUMENTS

CN 304998256 * 1/2019
CN 305240636 * 7/2019
(Continued)

OTHER PUBLICATIONS

Cat Shaped 2.4G USB Wireless Keyboard, Seaciyan, amazon.com, published by Seaciyan, first available on Jan. 20, 2022 © 1996-2022 Amazon.com, Inc., online, site visited Mar. 4, 2022. Available at URL: https://www.amazon.com/Compact-Keyboard-Colorful-Wireless-Computer/dp/B09QS3RTKQ/ref=sr_1_68?crd=3NYXGB0QUN6HX&keywords=cat%2Bshaped%2Bkeyboard&qid=1646415154&sprefix=cat%2Bshaped%2Bkeyboard%2Caps%2C96&sr=8-68&th=1 (Year: 2022).*

(Continued)

Primary Examiner — Holly E Thurman
Assistant Examiner — Altaira J Swangin

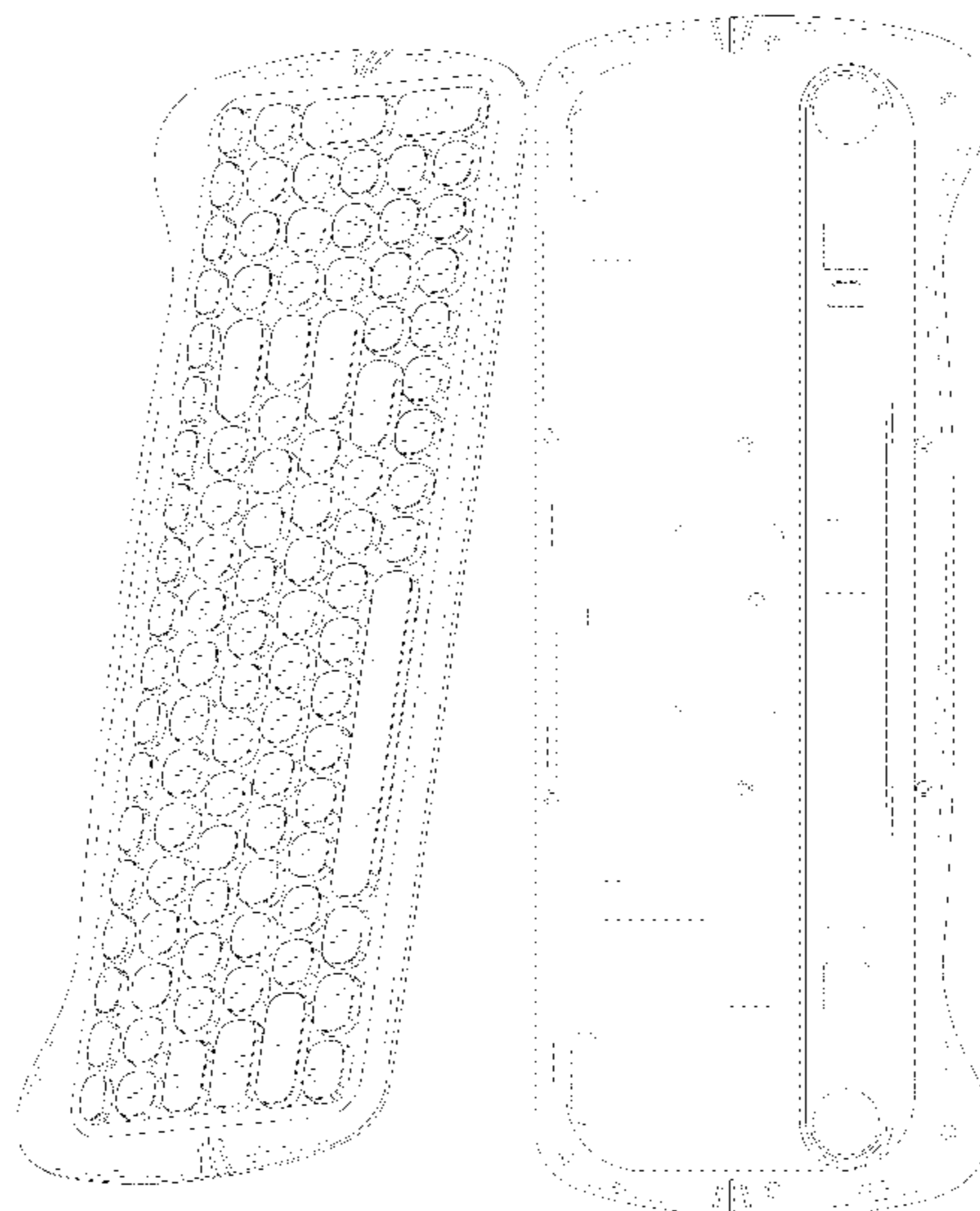
(57) **CLAIM**

The ornamental design for a keyboard, as shown and described.

DESCRIPTION

FIG. 1 is a perspective view of first embodiment of a keyboard, showing our new design;
FIG. 2 is a front view thereof;
FIG. 3 is a rear view thereof;
FIG. 4 is a left side view thereof;
FIG. 5 is a right side view thereof;
FIG. 6 is a top plan view thereof;
FIG. 7 is a bottom plan view thereof;
FIG. 8 is a perspective view of second embodiment of a keyboard, showing our new design;
FIG. 9 is a front view thereof;
FIG. 10 is a rear view thereof;
FIG. 11 is a left side view thereof;
FIG. 12 is a right side view thereof;
FIG. 13 is a top plan view thereof; and,
FIG. 14 is a bottom plan view thereof.
The dashed or broken lines shown in the drawings depict portions of the keyboard that form no part of the claimed design.

1 Claim, 14 Drawing Sheets



US D961,592 S

Page 2

(58) **Field of Classification Search**

USPC D14/455–457, 460–461, 143, 207, 220,
D14/232, 480.2, 508; D18/1–2, 4.1–4.6,
D18/7, 11, 12.2, 52; D21/324, 409;
D13/102
CPC B41J 5/00; B41J 5/10; B41J 5/12; G06F
3/021; G06F 3/0216; G06F 3/0219; G06F
3/02

See application file for complete search history.

(56) **References Cited**

U.S. PATENT DOCUMENTS

4,839,474 A * 6/1989 Hayes-Pankhurst
H01H 13/702
200/513
5,220,521 A * 6/1993 Kikinis H01H 13/702
361/679.1
D357,011 S 4/1995 Paull et al.
D375,947 S * 11/1996 Brenner D14/392
D408,945 S * 4/1999 Sgariboldi D28/76
D477,827 S * 7/2003 Yoneda D14/455
D480,726 S * 10/2003 Yokota D14/396
D482,393 S * 11/2003 Hui D19/116
D490,077 S * 5/2004 Lance D14/396
D567,240 S * 4/2008 Griffin D14/392
D574,825 S * 8/2008 Baker D14/392
D580,245 S * 11/2008 Mazur D8/38
D653,665 S * 2/2012 Maruyama D14/392
D660,849 S 5/2012 Moore et al.
D675,206 S * 1/2013 Roysden D14/396
D728,192 S * 5/2015 Neely D1/109
D746,819 S * 1/2016 Feiz D14/392
D768,632 S * 10/2016 Rüegg D14/392
D776,116 S * 1/2017 Akana D14/392

D779,490 S * 2/2017 Akana D14/392
D786,249 S * 5/2017 Feiz D14/392
D789,941 S * 6/2017 Sauvage D14/455
D896,809 S * 9/2020 Cai D14/392
D902,928 S * 11/2020 Cai D14/392
D909,375 S * 2/2021 Chan D14/392
D910,628 S * 2/2021 Chan D14/392
D911,336 S * 2/2021 Chan D14/392
D912,066 S * 3/2021 Zhu D14/455
D912,681 S * 3/2021 Lim D14/455
D933,622 S * 10/2021 Li D14/371
D934,249 S * 10/2021 O’Gnimh D14/392
D942,464 S * 2/2022 Hu D14/457

FOREIGN PATENT DOCUMENTS

CN 305679059 * 4/2020
CN 305697614 * 4/2020
CN 306046753 * 9/2020
CN 306422393 * 3/2021
CN 306570222 * 5/2021
CN 306579289 * 6/2021

OTHER PUBLICATIONS

M80 Wireless Cat Keyboard, Iqunix, youtube.com, published by JYMV on May 22, 2021 © not listed, online, site visited Mar. 4, 2022. Available at URL: <https://www.youtube.com/watch?v=ldVrJCqvZCw> (Year: 2021).*

Nyaong 75 Keyboard, brand unlisted, geekhack.org, published by user jmSur on Sep. 18, 2020 © 2017 Simple Machines, online, site visited Mar. 4, 2022. Available at URL: <https://geekhack.org/index.php?topic=108666.0> (Year: 2020).*

* cited by examiner

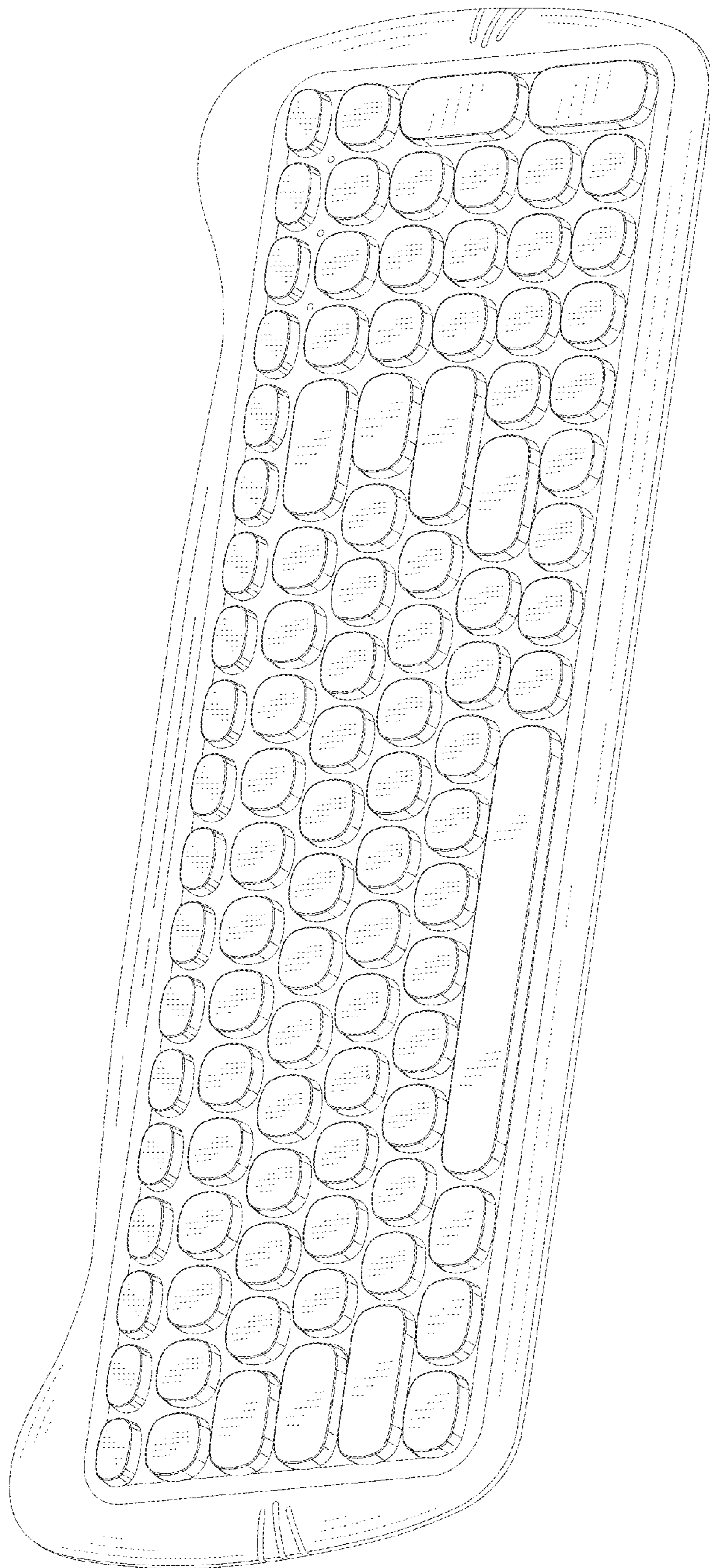


FIG. 1

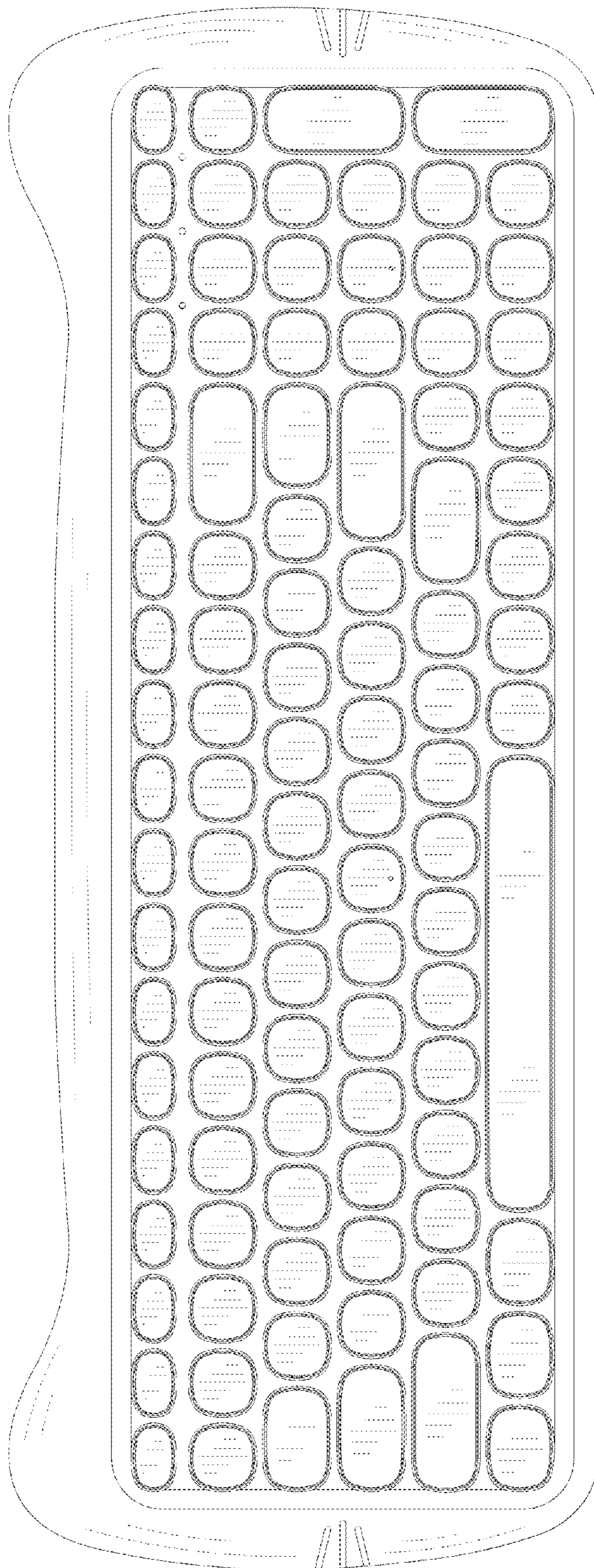


FIG. 2

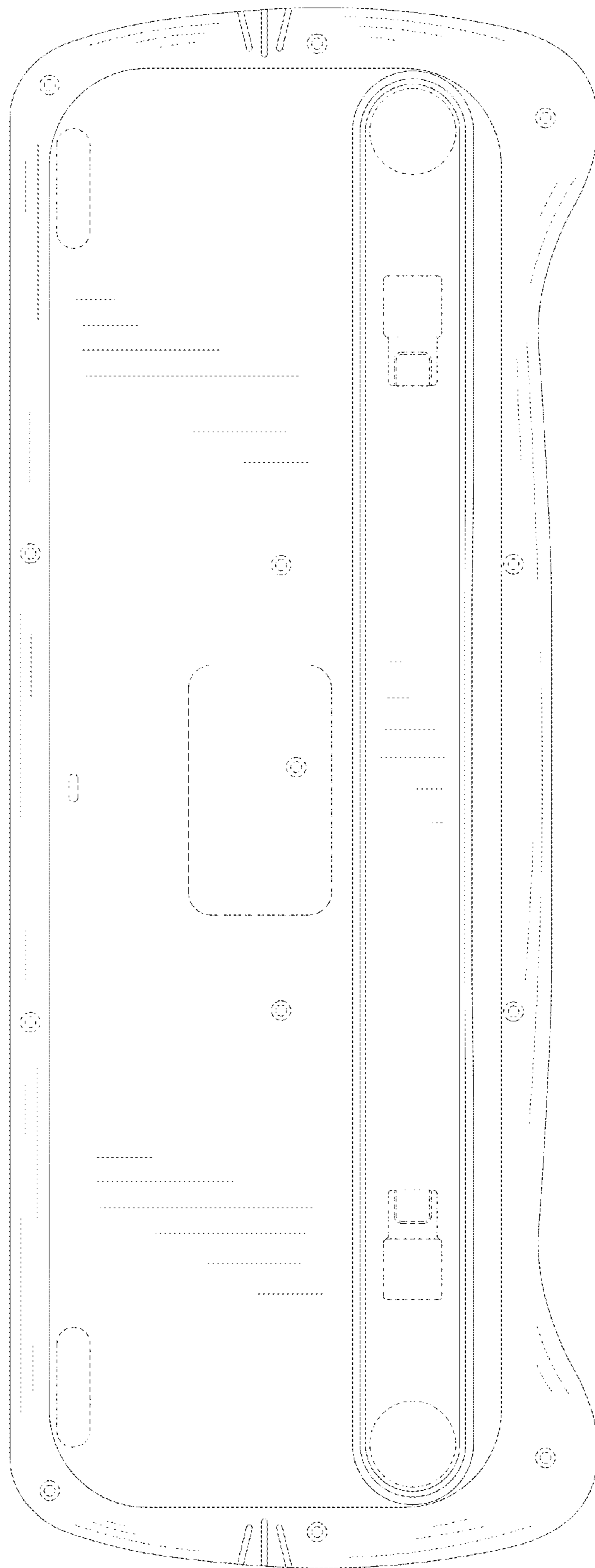


FIG. 3

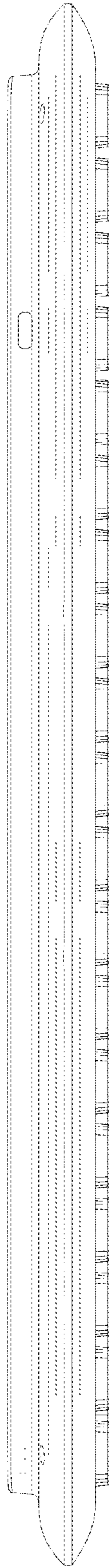


FIG. 4

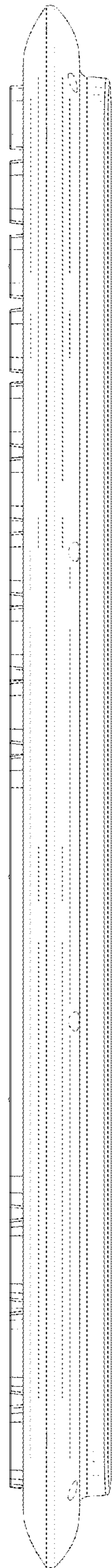


FIG. 5

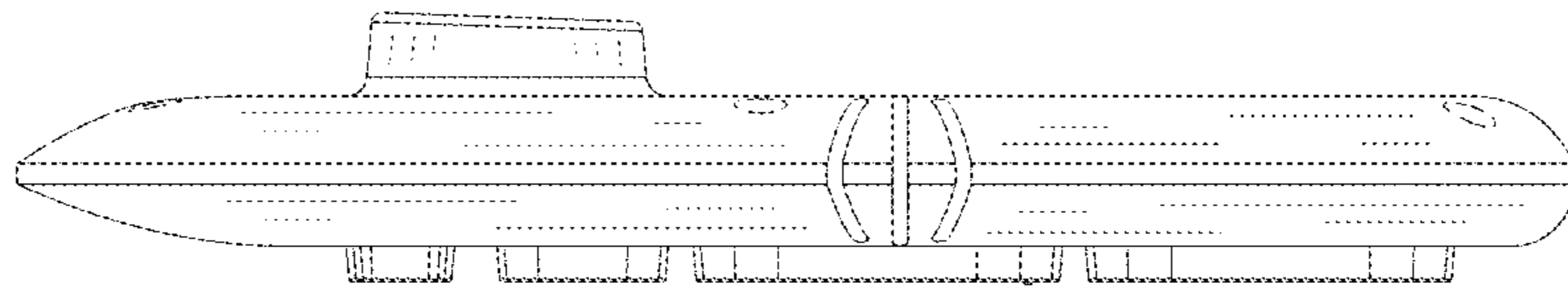


FIG. 6

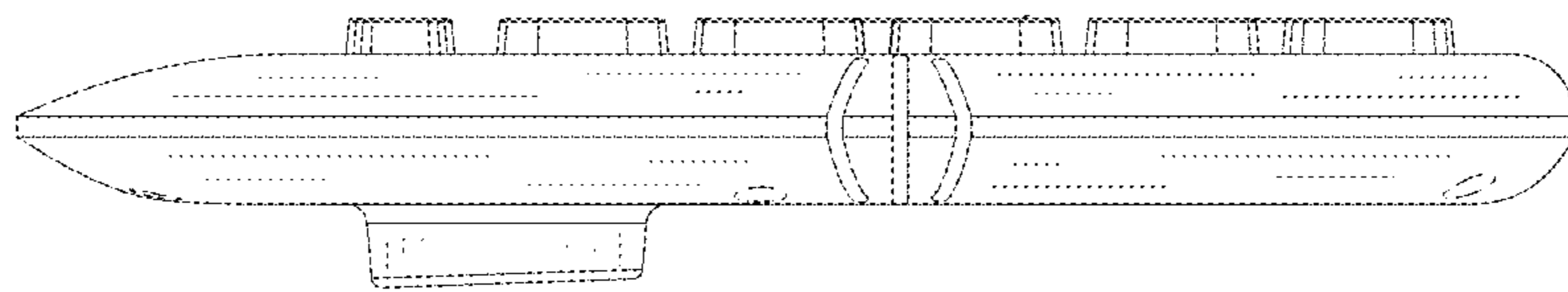


FIG. 7

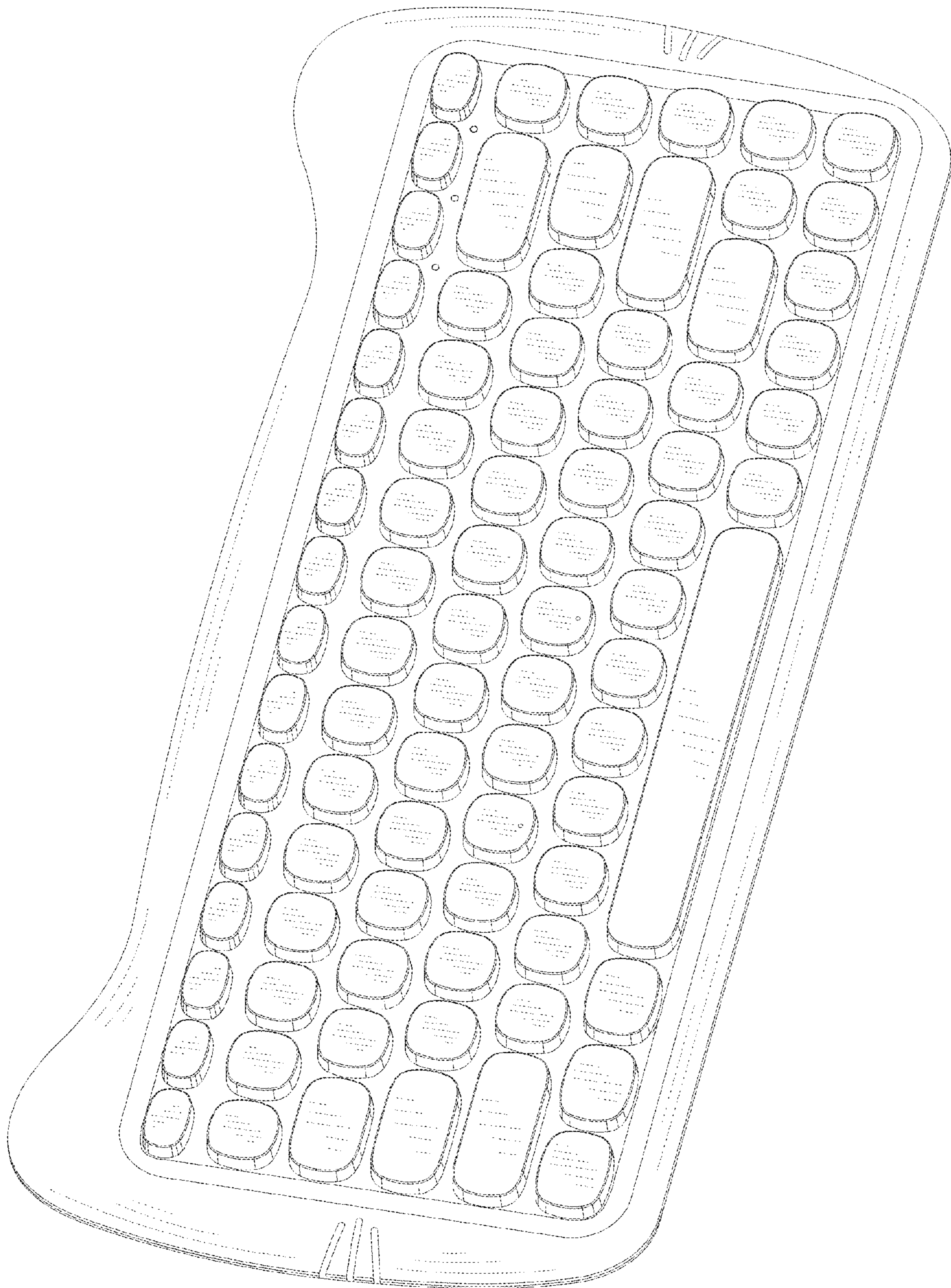


FIG. 8

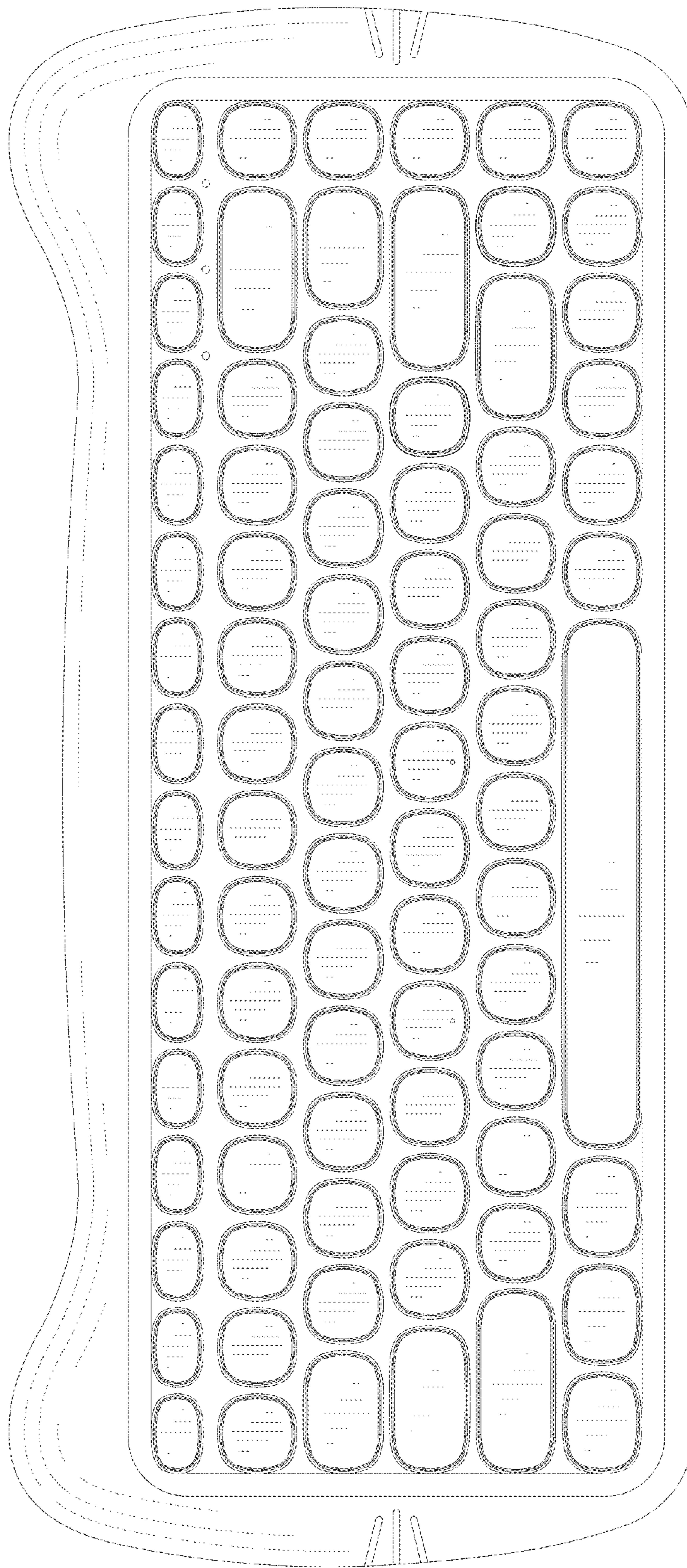


FIG. 9

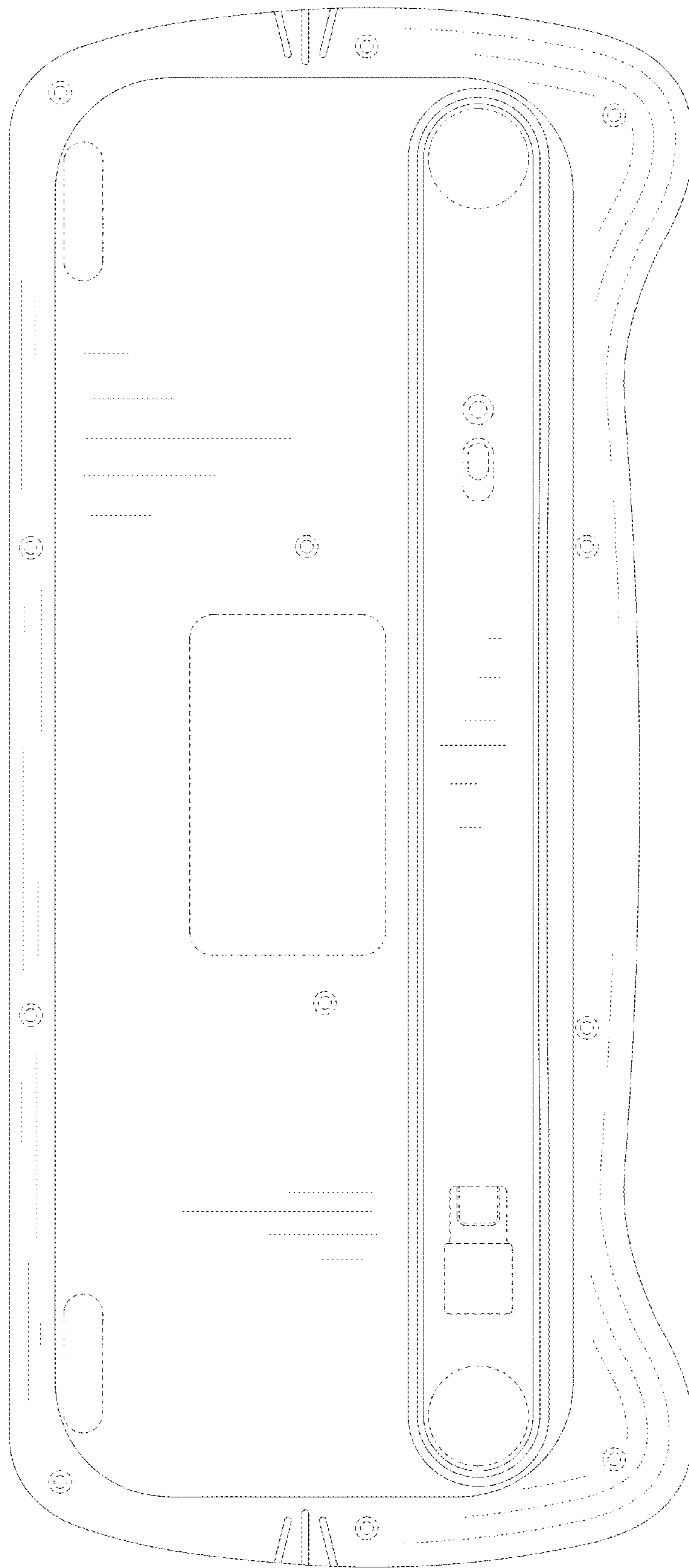


FIG. 10

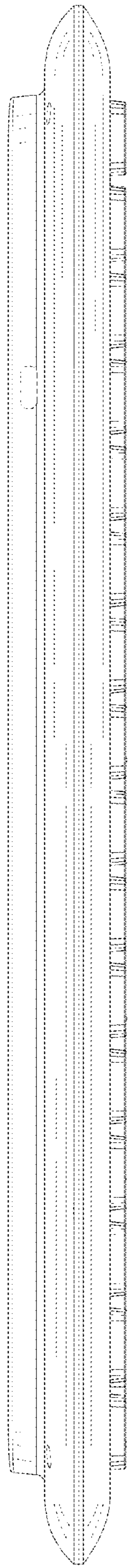


FIG. 11

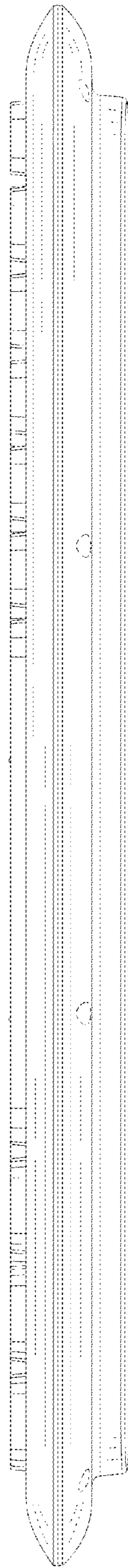


FIG. 12

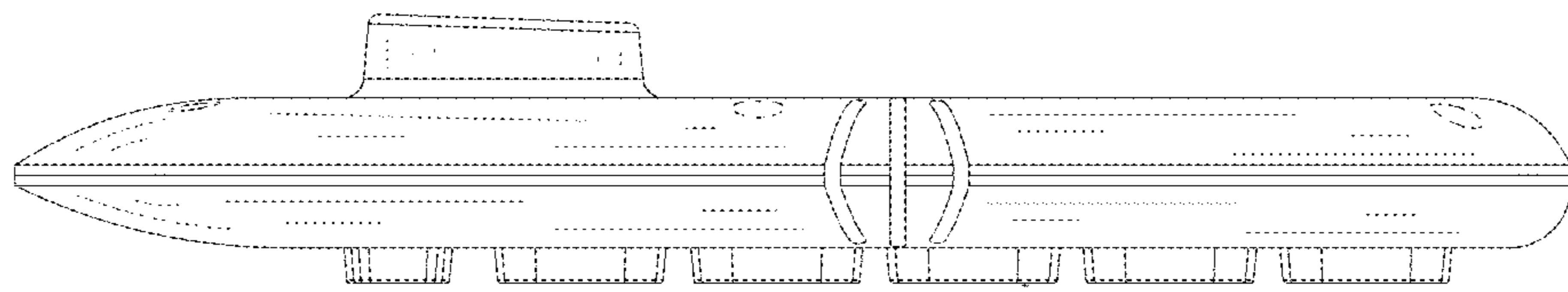


FIG.13

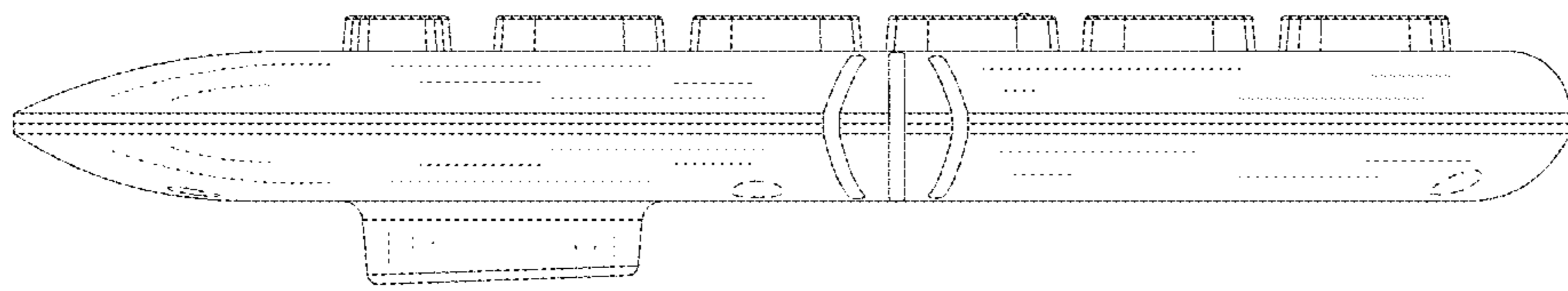


FIG. 14